



US00D832528S

(12) **United States Design Patent**
Likhachev et al.

(10) **Patent No.:** **US D832,528 S**

(45) **Date of Patent:** **** Oct. 30, 2018**

(54) **CAT PLAYHOUSE**
(71) Applicant: **DIVES LLC**, Moscow (RU)
(72) Inventors: **Alexander Likhachev**, Moscow (RU);
Tatiana Mustafina, Moscow (RU);
Lesnikov Dmitrij, Moscow (RU)
(73) Assignee: **Dives, LLC**, Moscow (RU)
(**) Term: **15 Years**
(21) Appl. No.: **29/556,232**

5,167,205 A * 12/1992 Bell A01K 1/0125
119/168
D349,366 S * 8/1994 Kuhn D30/108
5,383,422 A * 1/1995 Morris A01K 1/033
119/168
5,392,984 A * 2/1995 Yocum B65D 5/46112
229/117.14
D356,253 S * 3/1995 Bacchetti D30/108
D371,641 S * 7/1996 Crowley D21/470
D396,734 S * 8/1998 Koneke D30/108
D502,576 S * 3/2005 Miller D30/161
D576,482 S * 9/2008 DeBusk D9/416
D617,505 S * 6/2010 Platt D30/108

(Continued)

(22) Filed: **Feb. 29, 2016**
(51) **LOC (11) Cl.** **30-02**
(52) **U.S. Cl.**
USPC **D30/108**
(58) **Field of Classification Search**
USPC D30/108, 109, 113, 114, 115, 117, 118,
D30/199, 158, 160, 110–112, 161;
D21/837, 834, 838, 839; D3/213–217,
D3/273, 276, 289, 301, 303, 242;
D25/13, 16–20, 26, 56, 4, 22; D6/304,
D6/691.8, 691.9, 663–664
CPC A01K 1/00; A01K 31/22; A01K 31/17;
A01K 1/033; A01K 1/035; A01K 31/18;
A01K 1/0245; A01K 1/0353; A01K 1/03;
A01K 1/0254; A01K 31/08; A01K 31/32;
A01K 1/032; E04H 15/40; E04H 15/18;
E04H 15/00; E04H 15/34
See application file for complete search history.

OTHER PUBLICATIONS

DIY Cardboard Cat Houses, [online], [site visited Jun. 16, 2017].
Available from Internet, <URL:http://www.lushome.com/diy-
cardboard-cat-houses-3-creative-pet-design-ideas-kotej/102070>.*

(Continued)

Primary Examiner — Caron D Veynar
Assistant Examiner — Katrina N Gonzalez
(74) *Attorney, Agent, or Firm* — Kaplan Breyer Schwarz,
LLP

(57) **CLAIM**

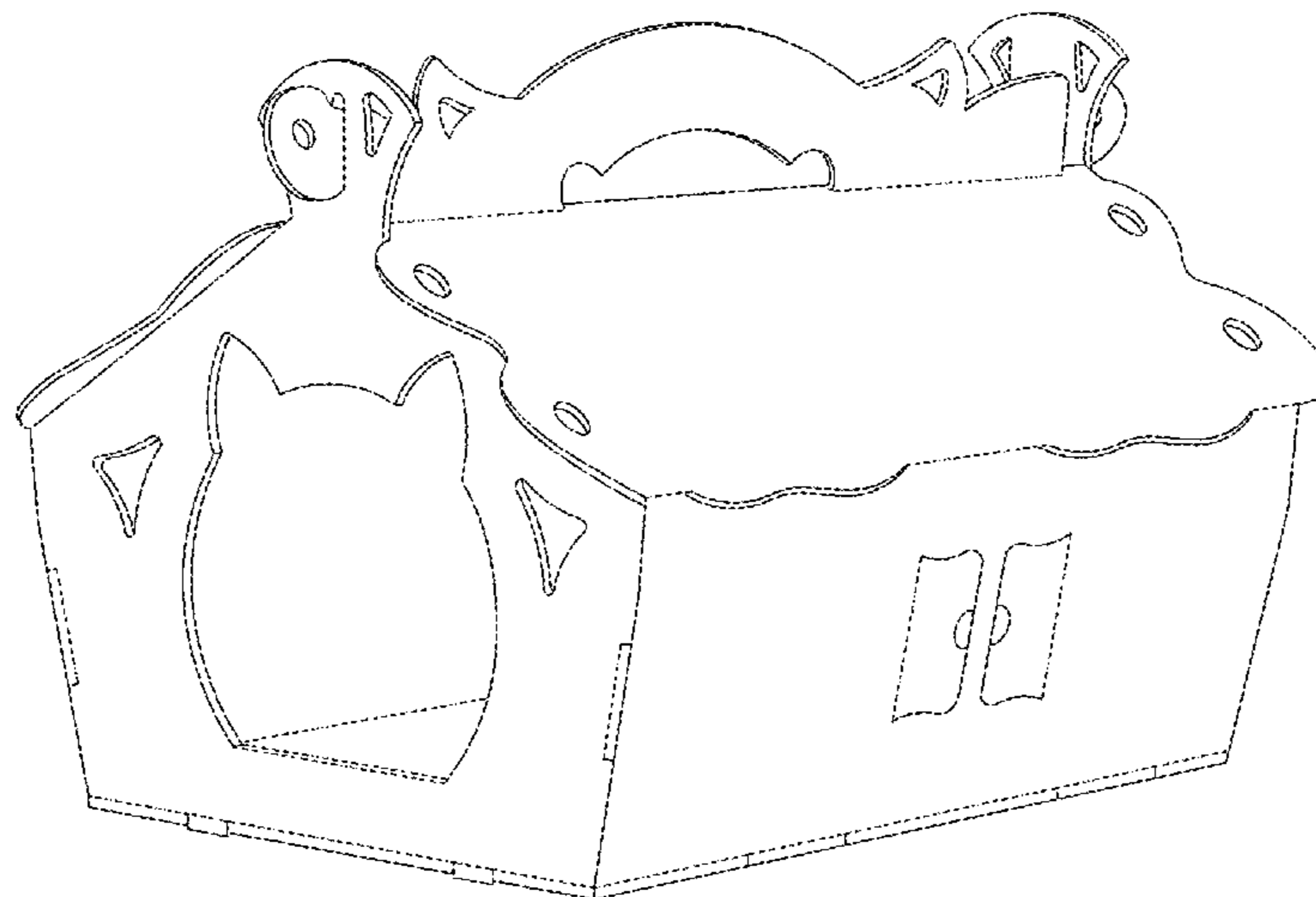
The ornamental design for a cat playhouse, as shown.

DESCRIPTION

FIG. 1 is an end elevation view of the cat playhouse showing our new design with the opposite end being unornamented; FIG. 2 is a side elevation view thereof, with the opposite side being identical thereof; FIG. 3 is a top plan view thereof; and, FIG. 4 is a perspective view thereof. The bottom of the design is flat and unornamented. The broken lines form no part of the claimed design.

1 Claim, 4 Drawing Sheets

(56) **References Cited**
U.S. PATENT DOCUMENTS
3,016,042 A * 1/1962 Curn, Jr. A01K 1/033
119/499
3,084,667 A * 4/1963 Felhofer A01K 1/033
119/497
5,046,457 A * 9/1991 Ashcroft A01K 1/033
119/168



(56)

References Cited

U.S. PATENT DOCUMENTS

D687,901	S	*	8/2013	Desena	D21/511
D699,793	S	*	2/2014	Gomez	D21/511
D760,445	S	*	6/2016	Katers	D30/108
D760,446	S	*	6/2016	Katers	D30/109
D769,544	S	*	10/2016	Niedwick	D30/112
D769,545	S	*	10/2016	Niedwick	D30/112
2016/0338315	A1	*	11/2016	Floyd	A01K 1/029

OTHER PUBLICATIONS

Repurposed Pet Beds, [online], [site visited Jun. 16, 2017]. Available from Internet, <URL:<https://www.topdreamer.com/adorable-ways-to-make-repurposed-pet-beds-that-will-blow-your-mind/>>.*

Castle Cardboard Playhouse, [online], [site visited Jun. 16, 2017]. Available from Internet, <URL:<https://www.etsy.com/listing/490762018/single-castle-thick-gauge-cardboard>>.*

Hello Kitty Cardboard Cat House, [online], [site visited Jun. 16, 2017]. Available from Internet, <URL:<https://www.etsy.com/listing/460858826/hello-kitty-cardboard-cat-house-cat-cave>>.*

Carry transport box pet carrier cat, [online], [site visited Jun. 16, 2017]. Available from Internet, <URL:<https://www.etsy.com/listing/454495374/cat-house-eco-carry-transport-box-pet>>.*

* cited by examiner

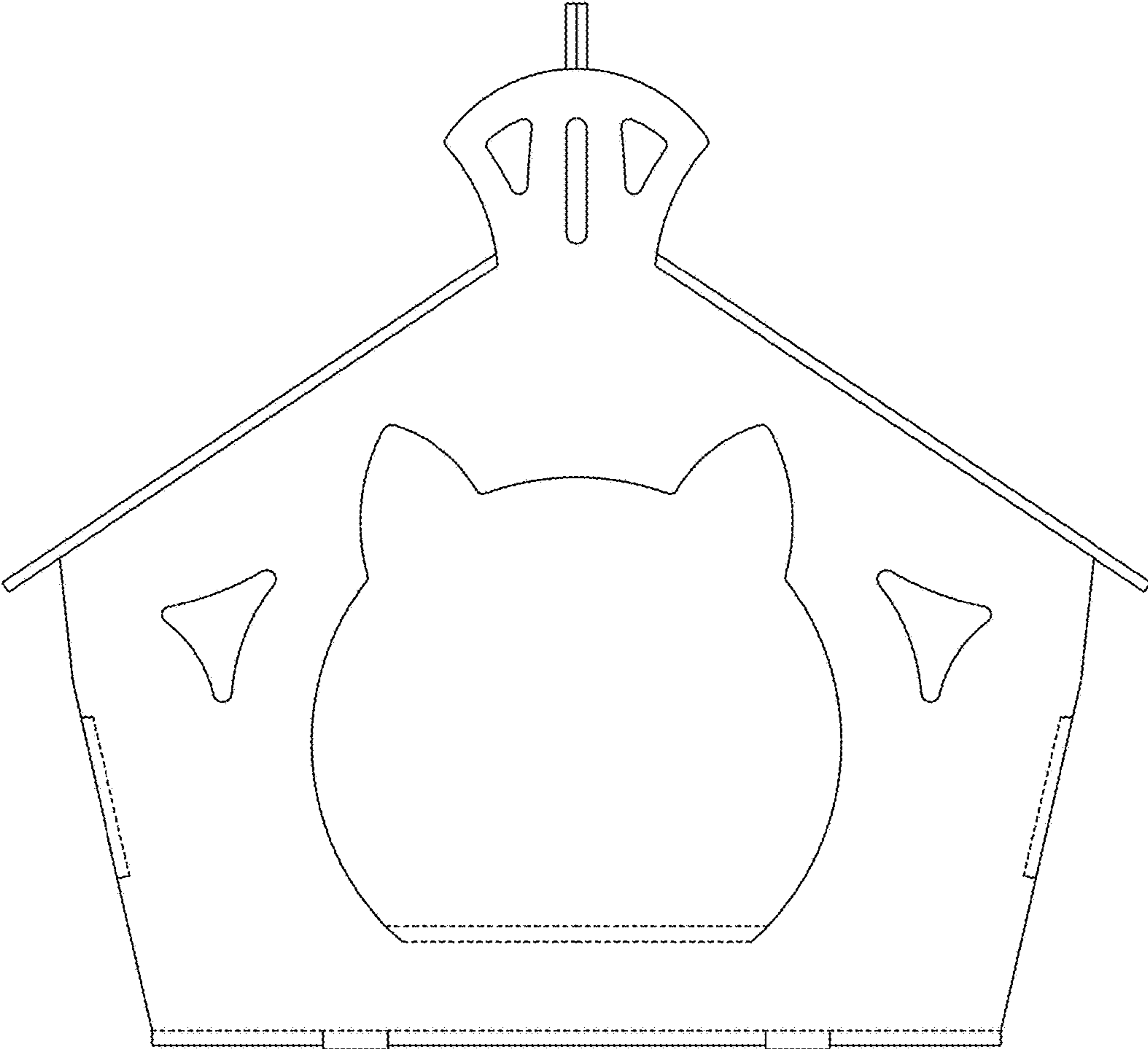


FIG. 1

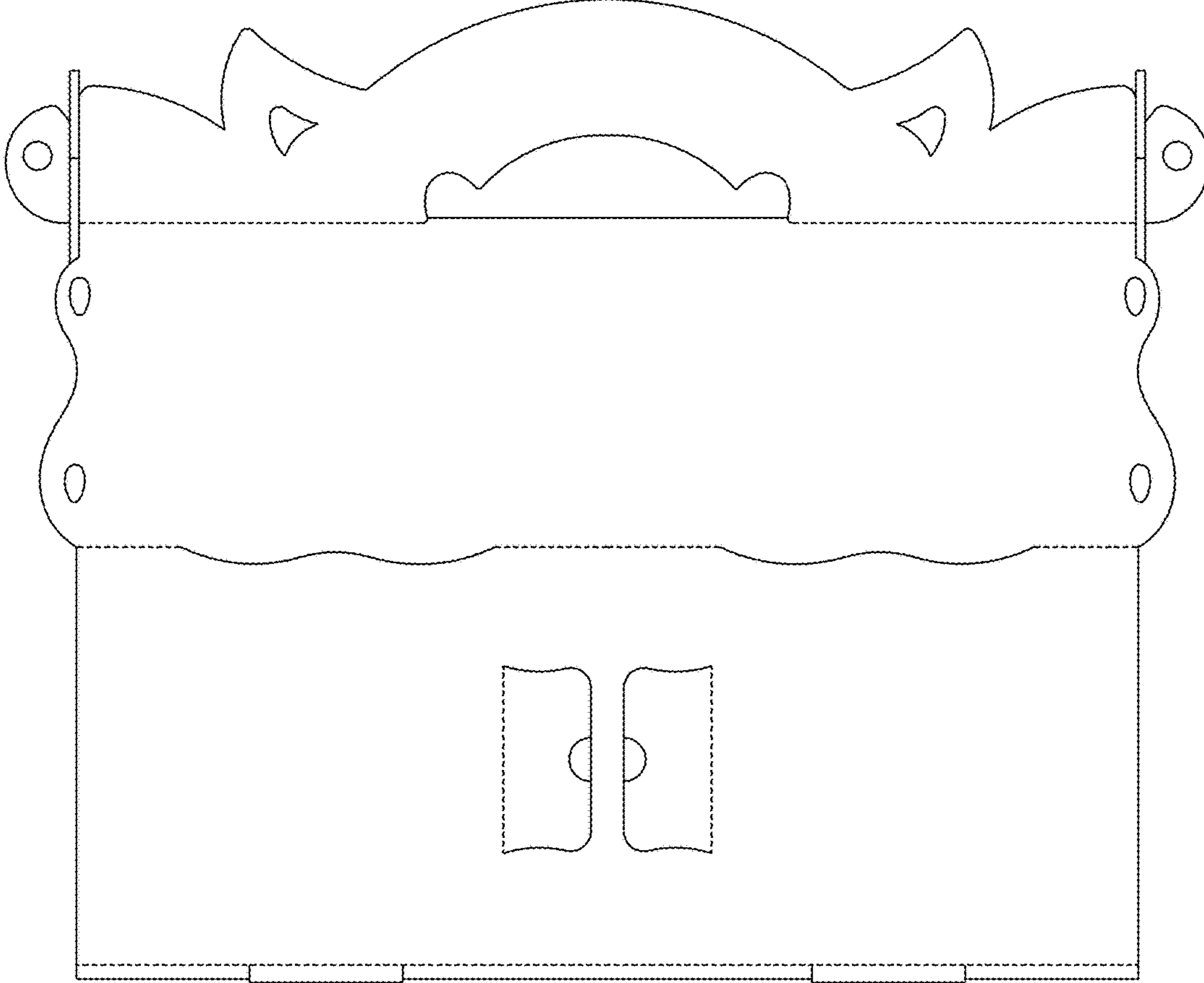


FIG. 2

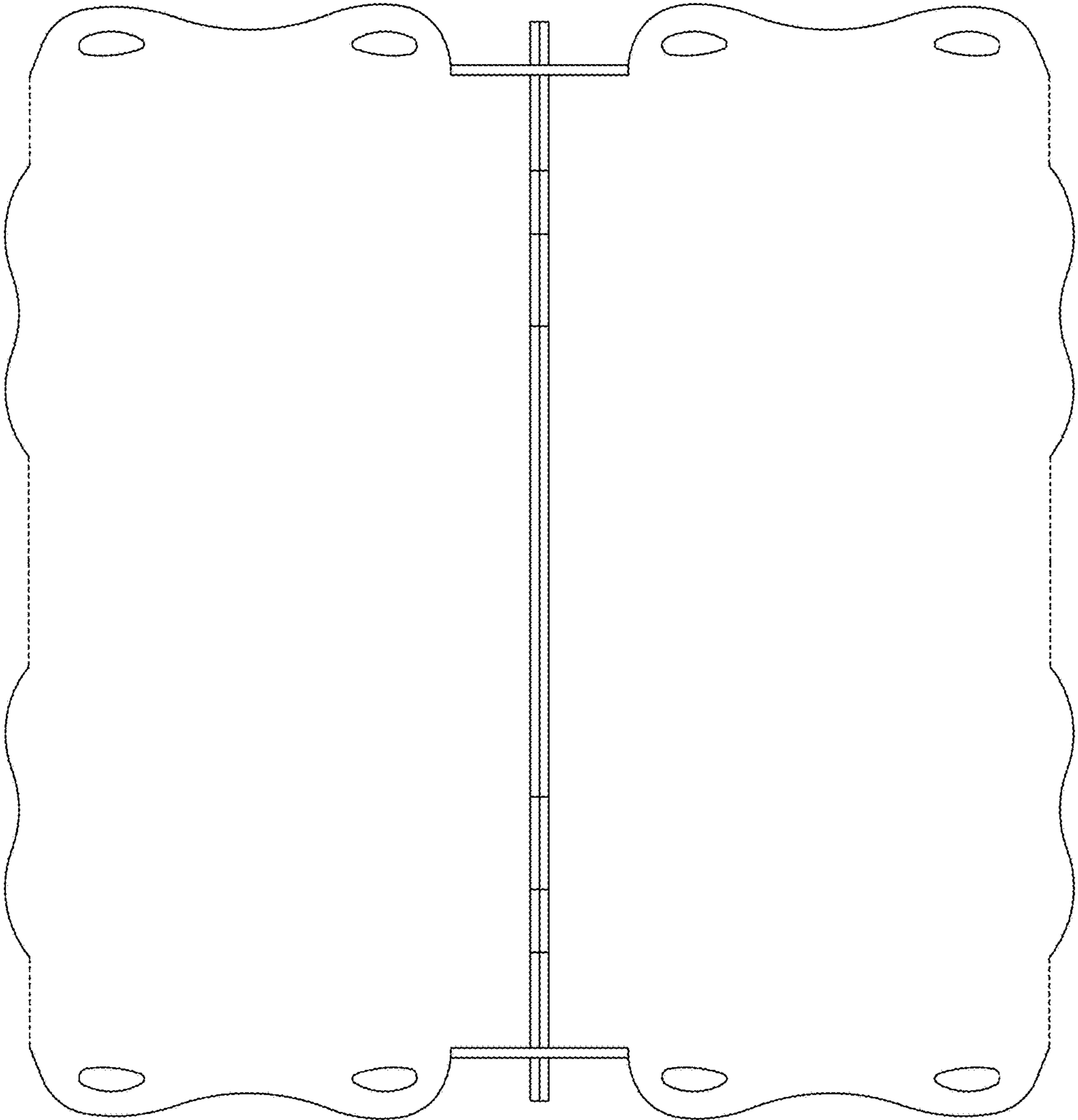


FIG. 3

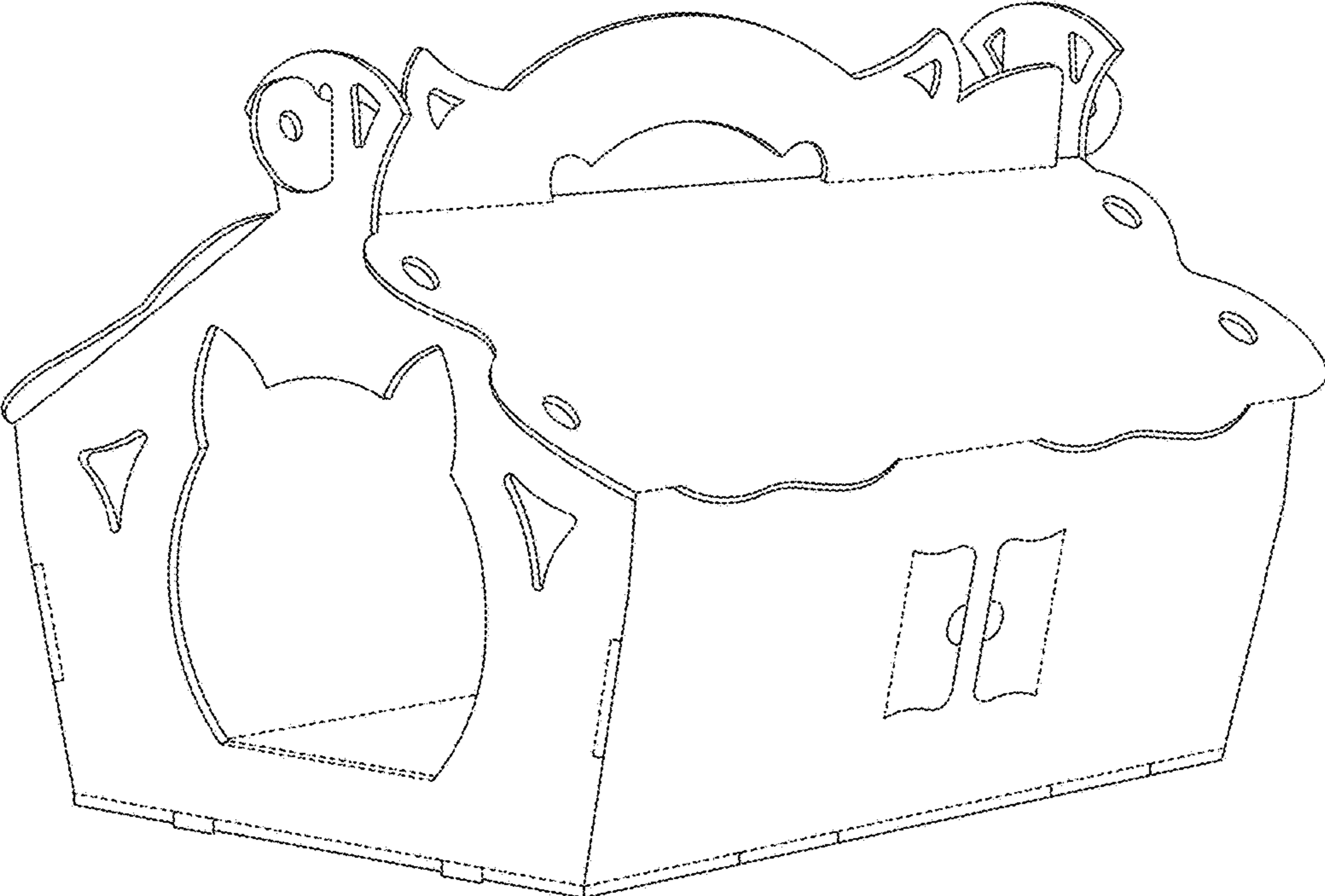


FIG. 4