



US00D832516S

(12) **United States Design Patent** (10) **Patent No.:** **US D832,516 S**  
**Bozikis et al.** (45) **Date of Patent:** **\*\* Oct. 30, 2018**

(54) **RAZOR BLADE HEAD**

(71) Applicant: **Société BIC**, Clichy (FR)

(72) Inventors: **Ioannis Bozikis**, Koukaki-Athens (GR);  
**Ioannis-Marios Psimadas**, Athens (GR);  
**Efstratios Christofidellis**, Athens (GR);  
**Spiros Gratsias**, Athens (GR);  
**Christoforos-Athanassios Brellis**, Athens (GR)

(73) Assignee: **SOCIÉTÉ BIC**, Clichy (FR)

(\*\*) Term: **15 Years**

(21) Appl. No.: **29/571,739**

(22) Filed: **Jul. 21, 2016**

(51) **LOC (11) Cl.** ..... **28-03**

(52) **U.S. Cl.**  
USPC ..... **D28/47**

(58) **Field of Classification Search**  
USPC ..... D28/44, 45-48  
CPC ..... B26B 21/00-21/06; B26B 21/08-21/4031;  
B26B 21/4043; B26B 21/4062; B26B  
21/4068-21/4075

See application file for complete search history.

(56) **References Cited**

**U.S. PATENT DOCUMENTS**

D617,947 S \* 6/2010 Lukan ..... D28/47  
D617,949 S \* 6/2010 Lukan ..... D28/47

9,539,734 B1 \* 1/2017 Bozikis ..... B26B 21/227  
2010/0077619 A1 \* 4/2010 Folio ..... B26B 21/225  
30/50  
2013/0097872 A1 \* 4/2013 Blatter ..... B26B 21/4018  
30/50  
2017/0151683 A1 \* 6/2017 Bozikis ..... B26B 1/227

**FOREIGN PATENT DOCUMENTS**

WO WO-2017103879 A1 \* 6/2017 ..... B62B 21/4012

\* cited by examiner

*Primary Examiner* — Jennifer Rivard

(74) *Attorney, Agent, or Firm* — Polsinelli PC

(57) **CLAIM**

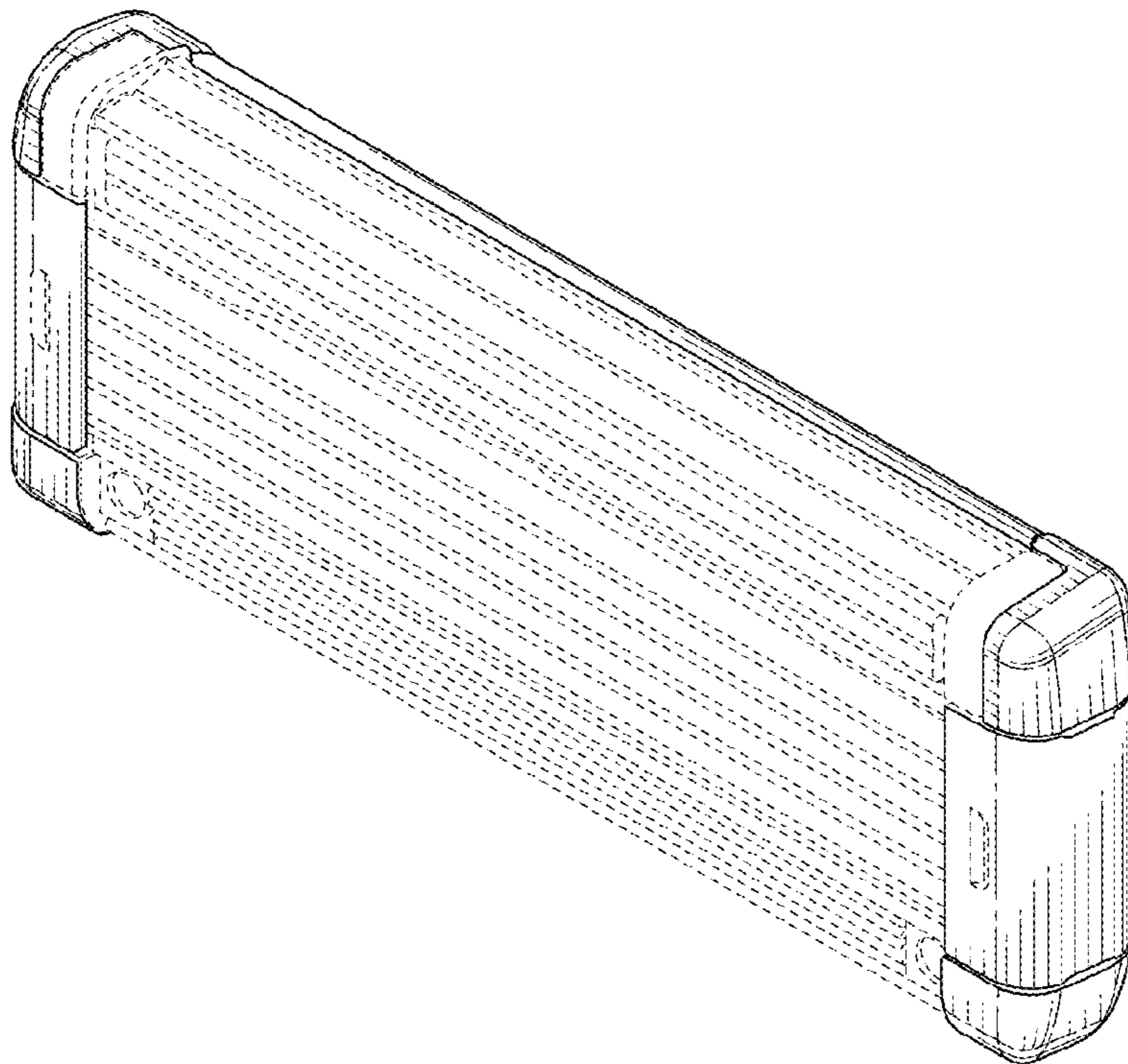
The ornamental design for a razor blade head, as shown and described.

**DESCRIPTION**

FIG. 1 is a top, right, rear perspective view of a razor blade head according to the new design;  
FIG. 2 is a bottom, left, front perspective view thereof;  
FIG. 3 is a rear elevation view thereof;  
FIG. 4 is a front elevation view thereof;  
FIG. 5 is a left side elevation view thereof;  
FIG. 6 is a right side elevation view thereof;  
FIG. 7 is a top plan view thereof; and,  
FIG. 8 is bottom plan view thereof.

The broken lines illustrate portions of the razor blade head and form no part of the claimed design. The dash-dot lines illustrate a boundary and form no part of the claimed design.

**1 Claim, 3 Drawing Sheets**



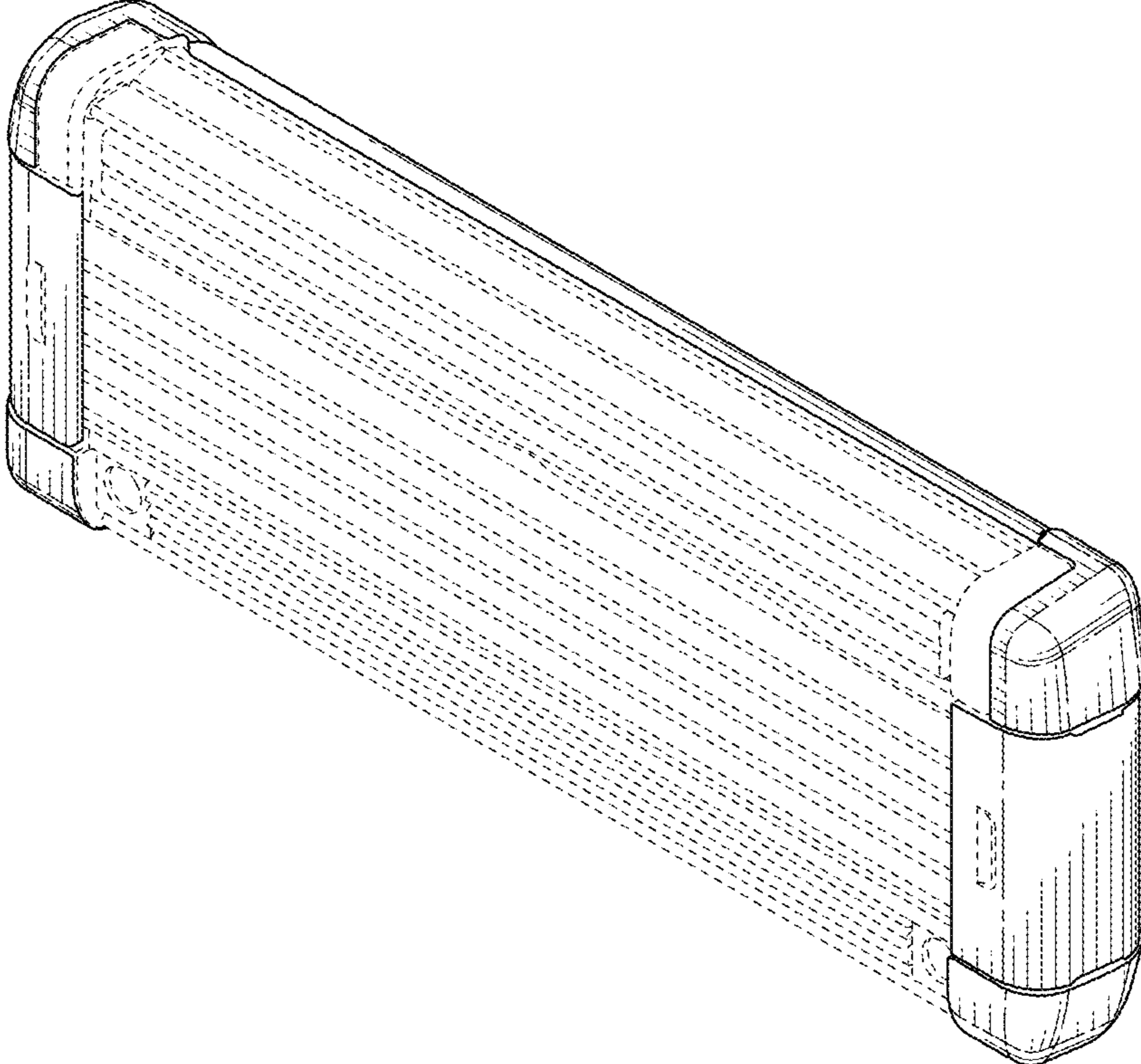


FIG. 1

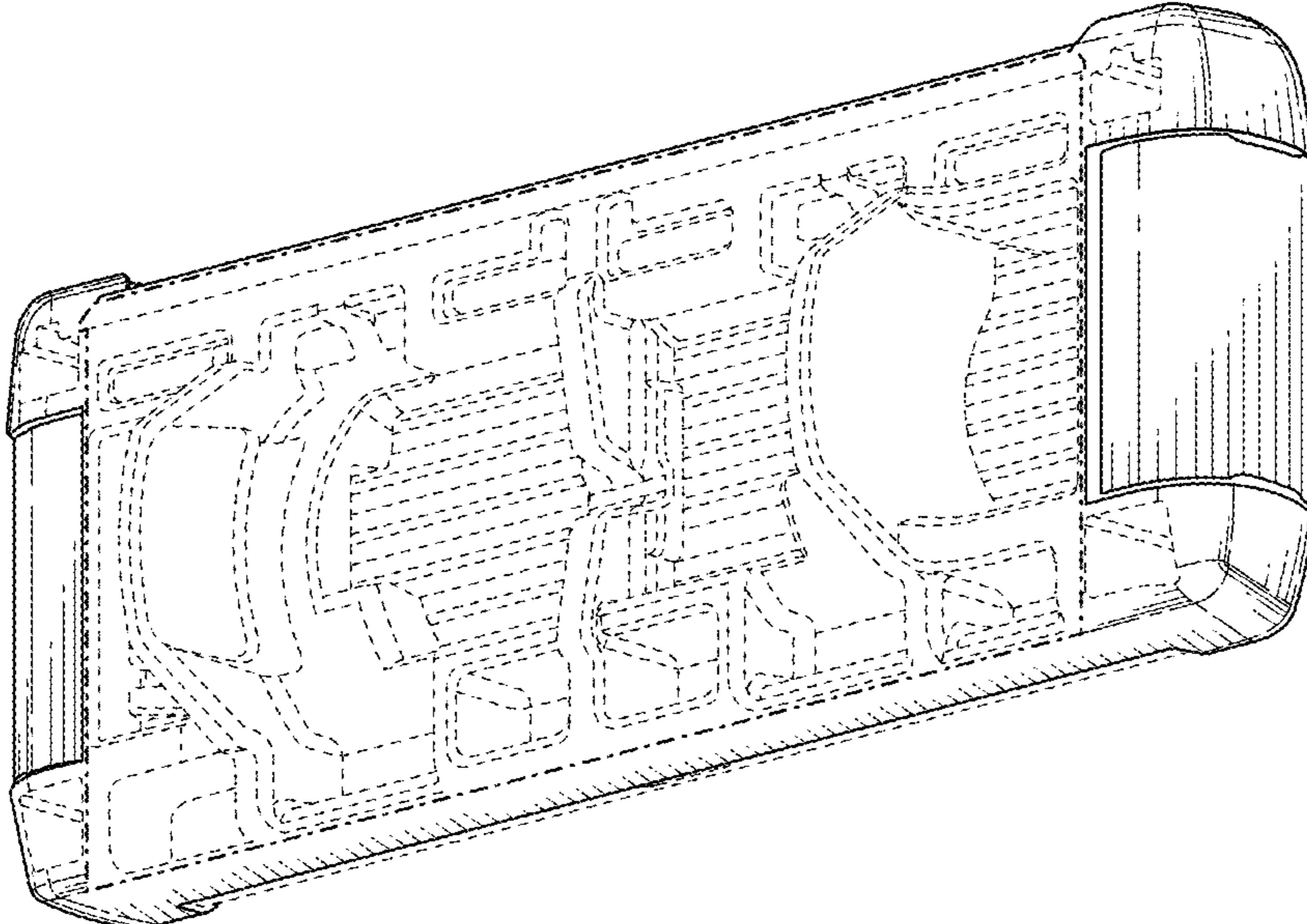


FIG. 2

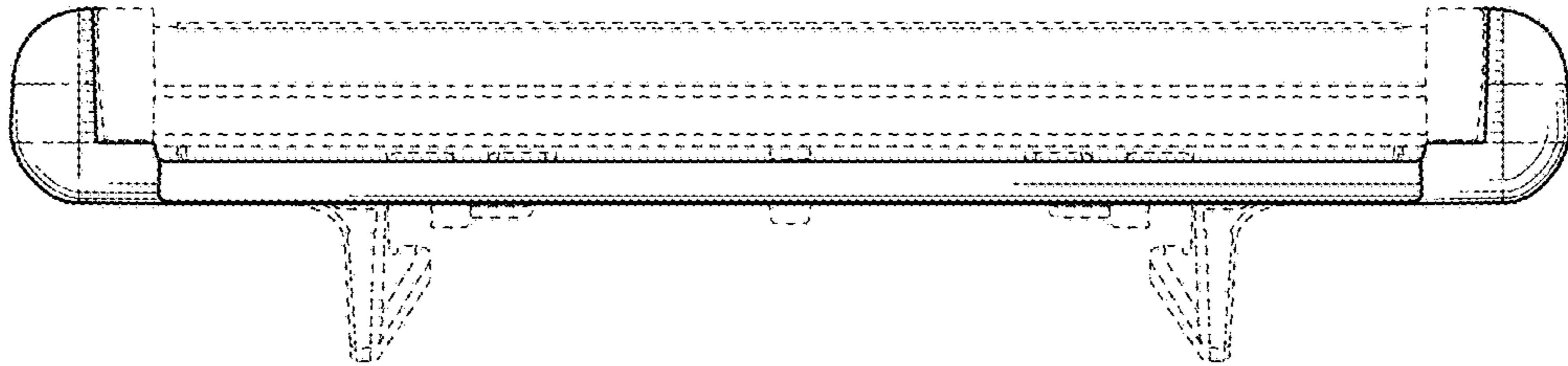


FIG. 3

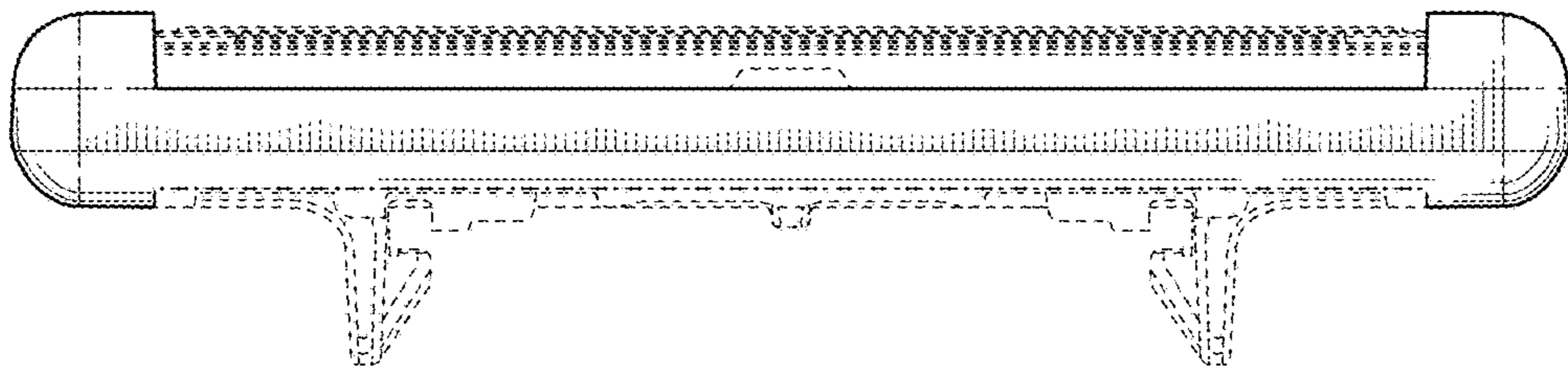


FIG. 4

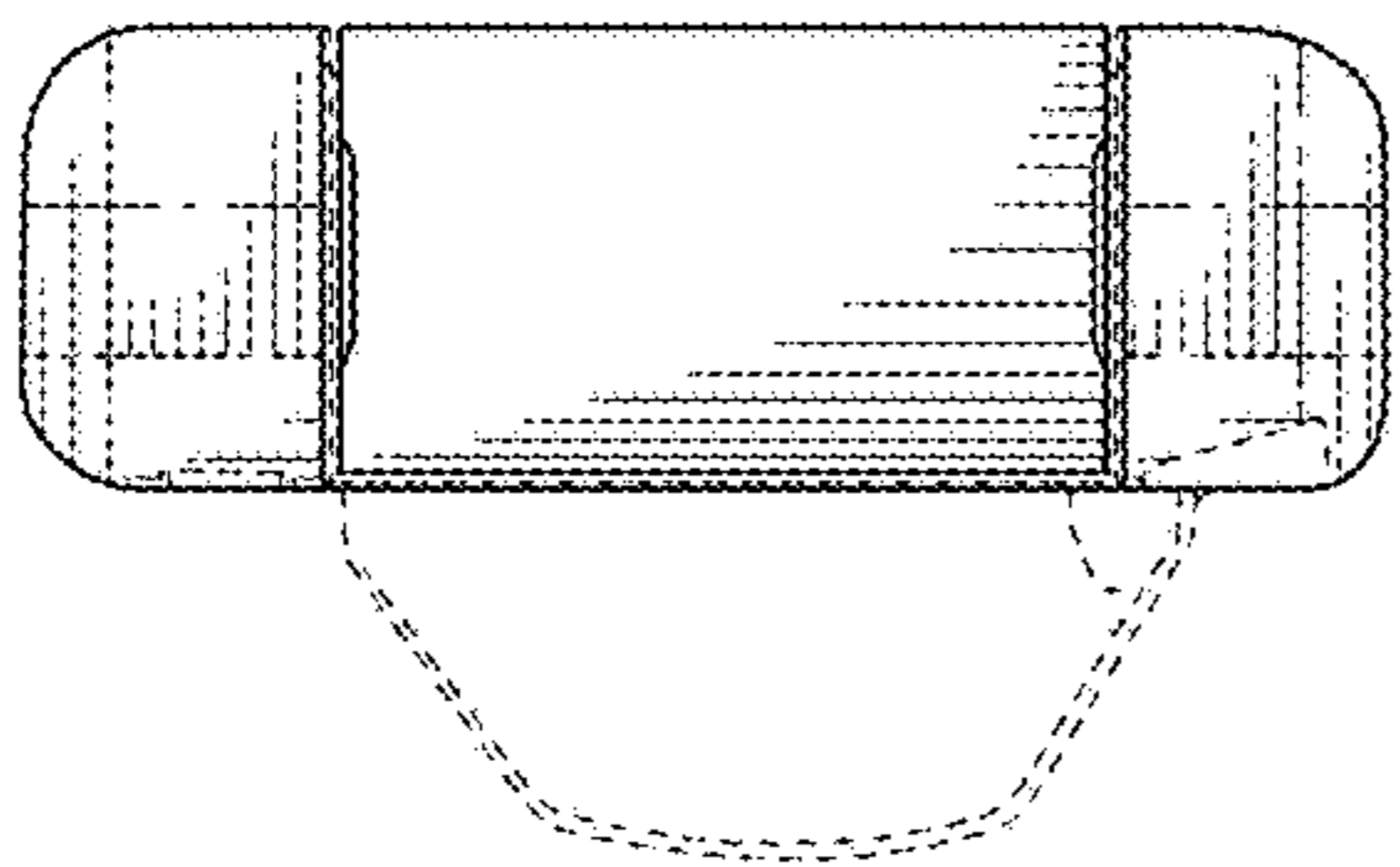


FIG. 5

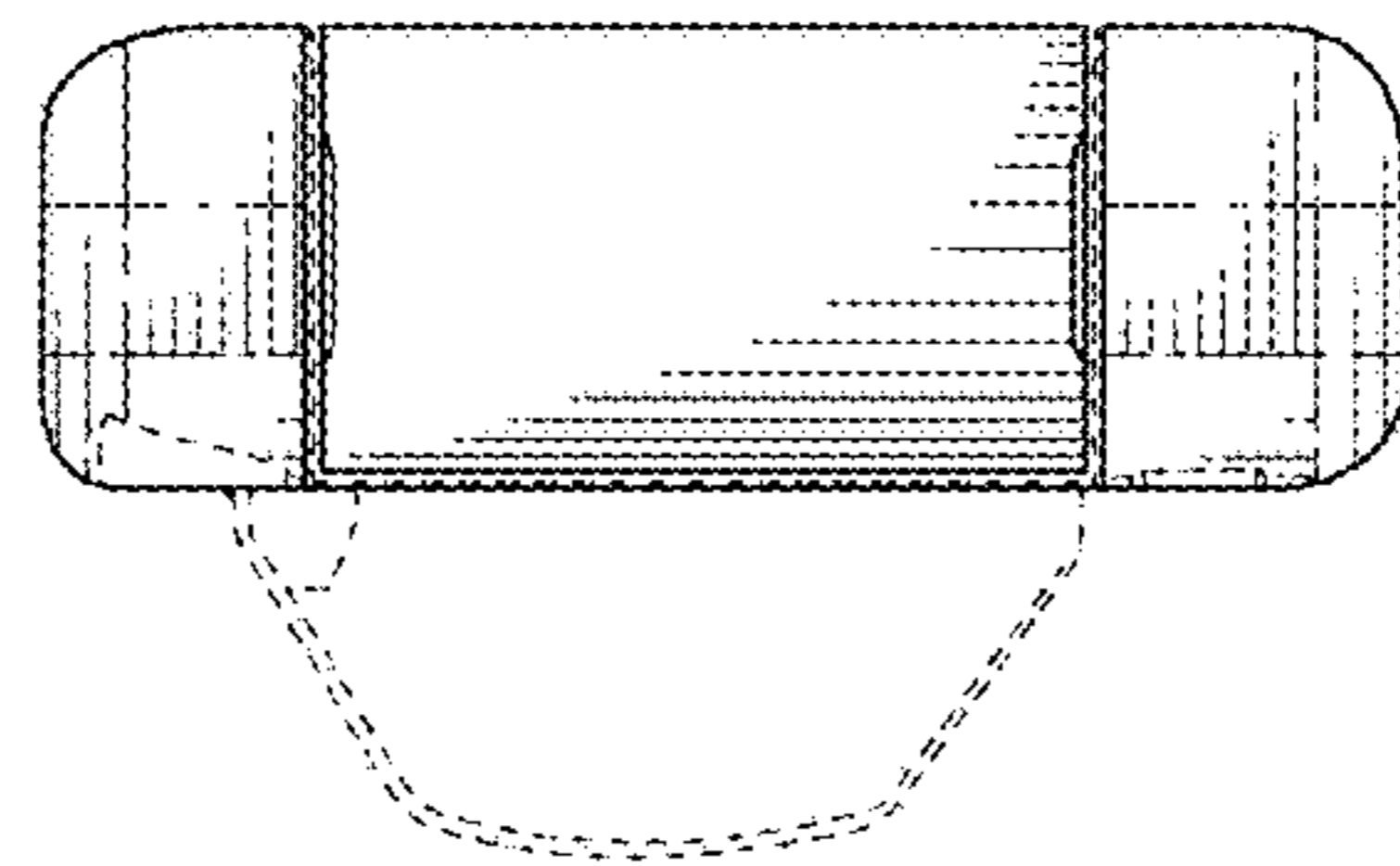


FIG. 6

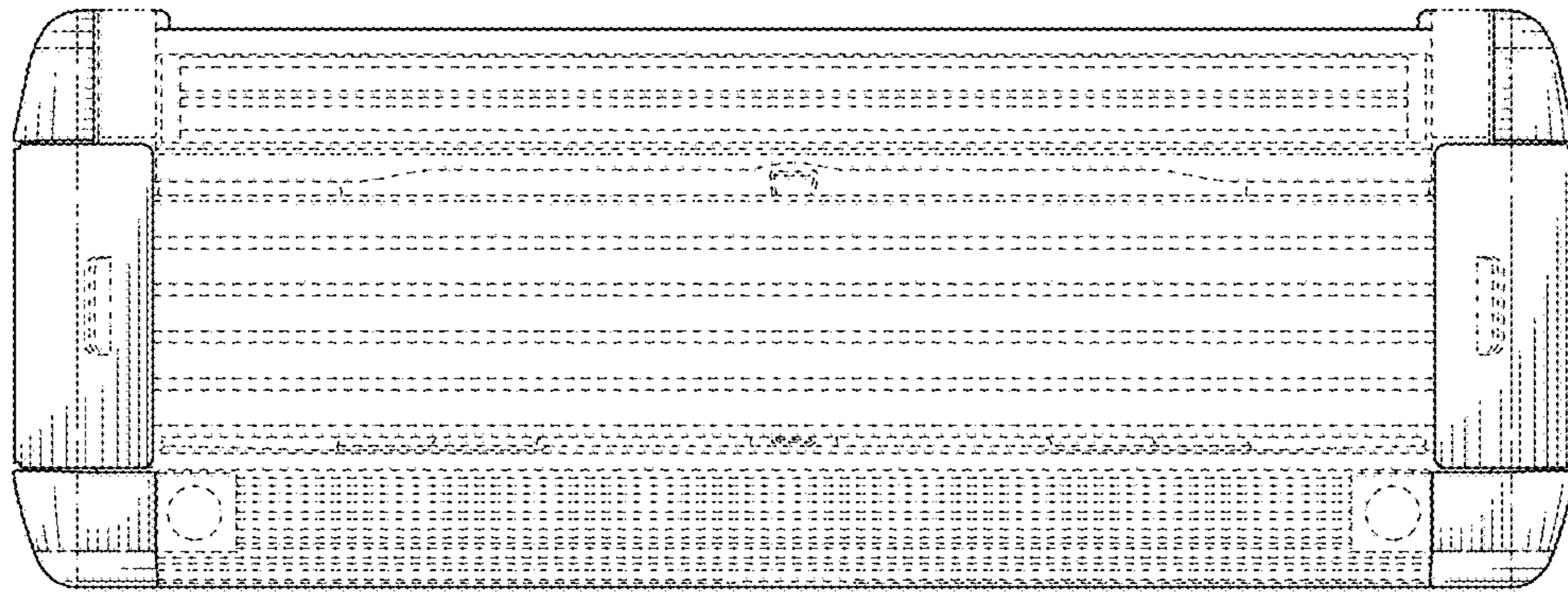


FIG. 7

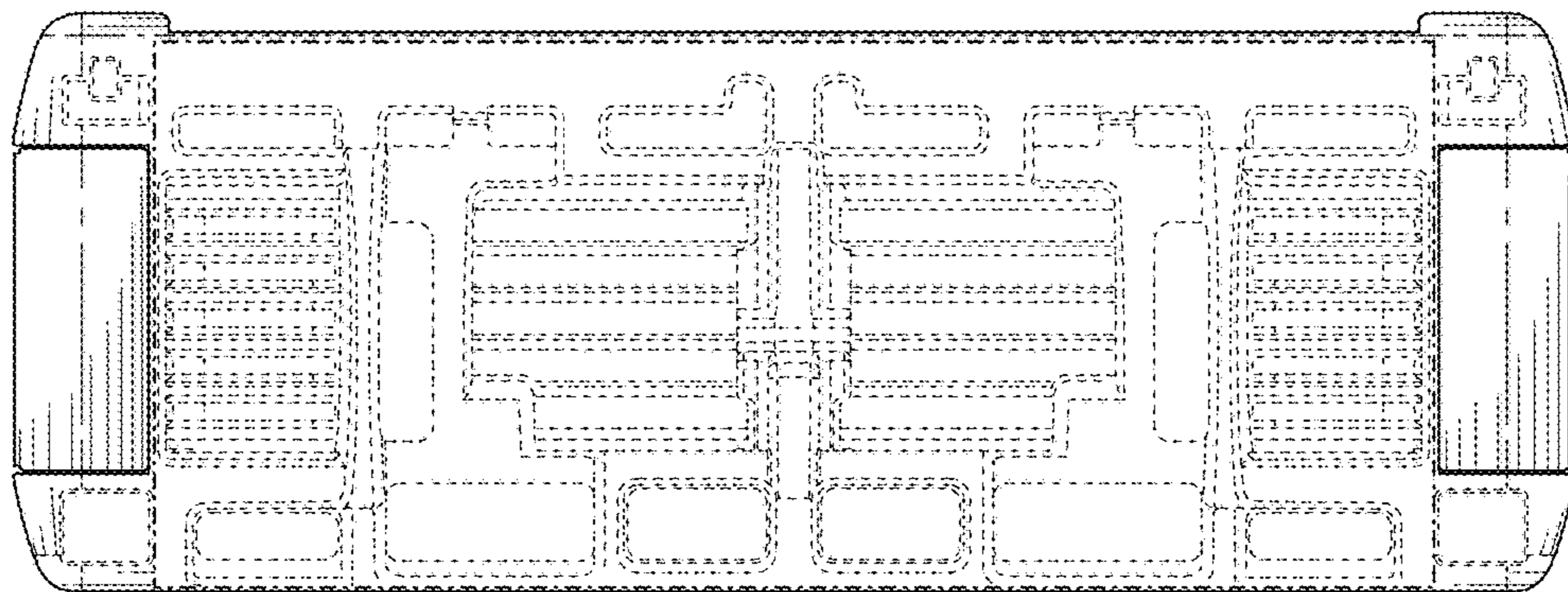


FIG. 8