



US00D832514S

(12) **United States Design Patent** (10) **Patent No.:** **US D832,514 S**
Bozikis et al. (45) **Date of Patent:** **** Oct. 30, 2018**

(54) **RAZOR BLADE HEAD WITH RETAINER**

(71) Applicant: **Société BIC**, Clichy (FR)

(72) Inventors: **Ioannis Bozikis**, Koukaki-Athens (GR);
Ioannis-Marios Psimadas, Athens (GR);
Efstratios Christofidellis, Athens (GR);
Spiros Gratsias, Athens (GR);
Christoforos-Athanassios Brellis, Athens (GR)

(73) Assignee: **SOCIÉTÉ BIC**, Clichy (FR)

(**) Term: **15 Years**

(21) Appl. No.: **29/571,736**

(22) Filed: **Jul. 21, 2016**

(51) **LOC (11) Cl.** **28-03**

(52) **U.S. Cl.**
USPC **D28/47**

(58) **Field of Classification Search**
USPC D28/44, 45–48
CPC B26B 21/00–21/06; B26B 21/08–21/4031;
B26B 21/4043; B26B 21/4062; B26B
21/4068–21/4075
See application file for complete search history.

(56) **References Cited**

U.S. PATENT DOCUMENTS

D617,947 S * 6/2010 Lukan D28/47
D617,949 S * 6/2010 Lukan D28/47

9,539,734 B1 * 1/2017 Bozikis B26B 21/227
2010/0077619 A1 * 4/2010 Follo B26B 21/225
30/50
2013/0097872 A1 * 4/2013 Blatter B26B 21/4018
30/50
2017/0151683 A1 * 6/2017 Bozikis B26B 21/227

FOREIGN PATENT DOCUMENTS

WO WO-2017103879 A1 * 6/2017 B26B 21/4012

* cited by examiner

Primary Examiner — Jennifer Rivard

(74) *Attorney, Agent, or Firm* — Polsinelli PC

(57) **CLAIM**

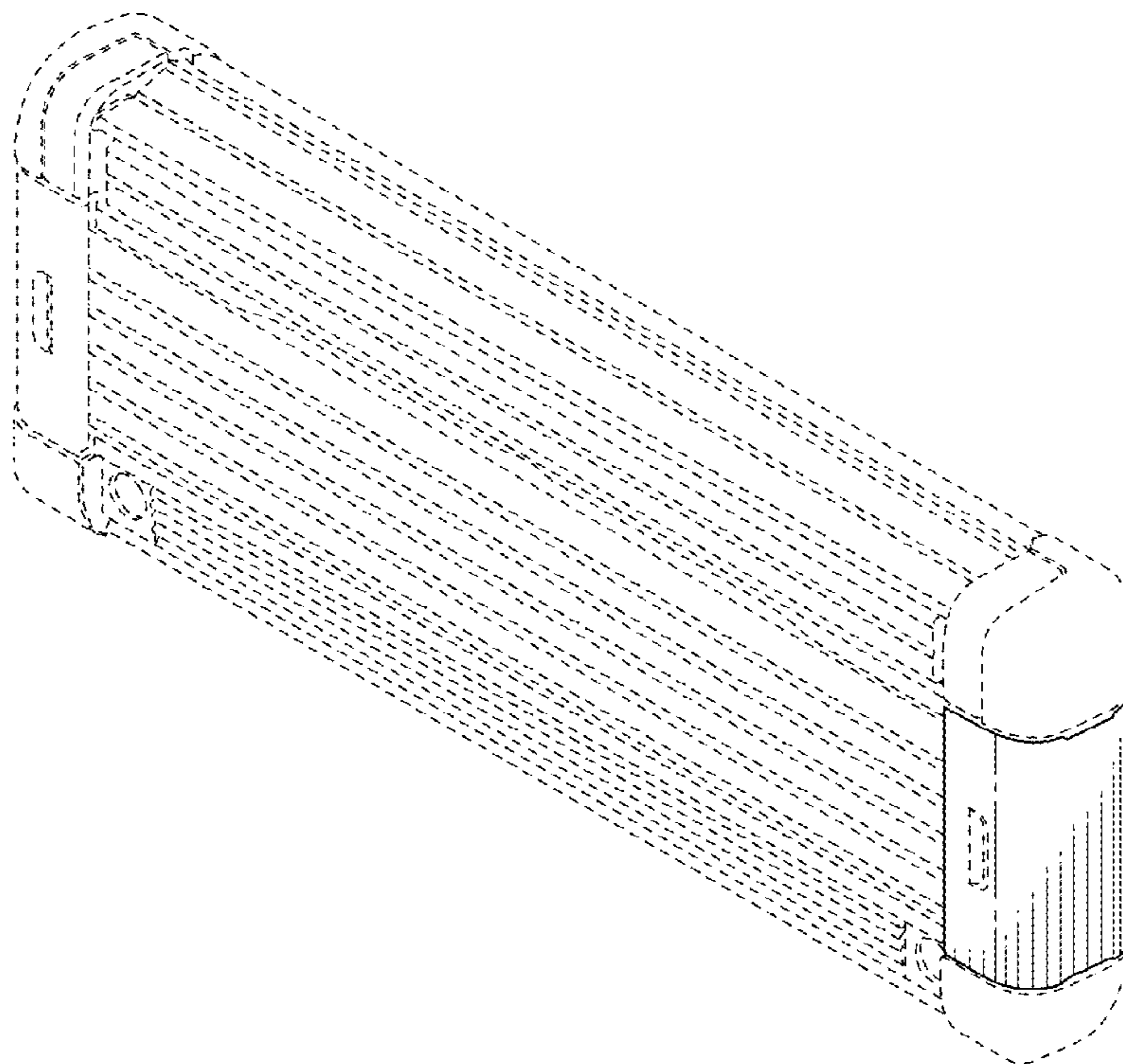
The ornamental design for a razor blade head with retainer, as shown and described.

DESCRIPTION

FIG. 1 is a top, right, rear perspective view of a razor blade head with retainer according to the new design;
FIG. 2 is a bottom, left, front perspective view thereof;
FIG. 3 is a rear elevation view thereof;
FIG. 4 is a front elevation view thereof;
FIG. 5 is a left side elevation view thereof;
FIG. 6 is a right side elevation view thereof;
FIG. 7 is a top plan view thereof; and,
FIG. 8 is bottom plan view thereof.

The broken lines illustrate portions of the razor blade head with retainer and form no part of the claimed design.

1 Claim, 3 Drawing Sheets



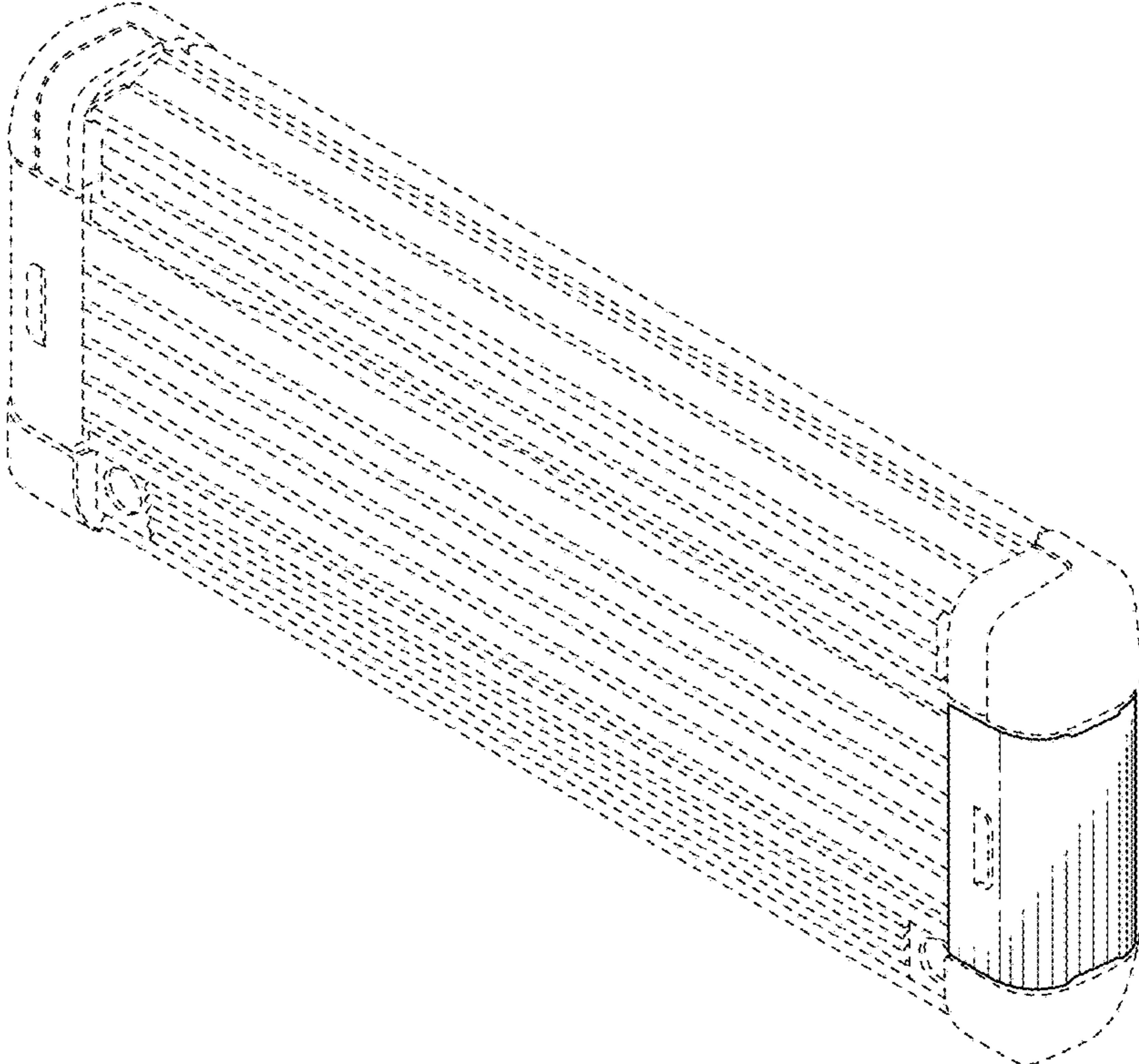


FIG. 1

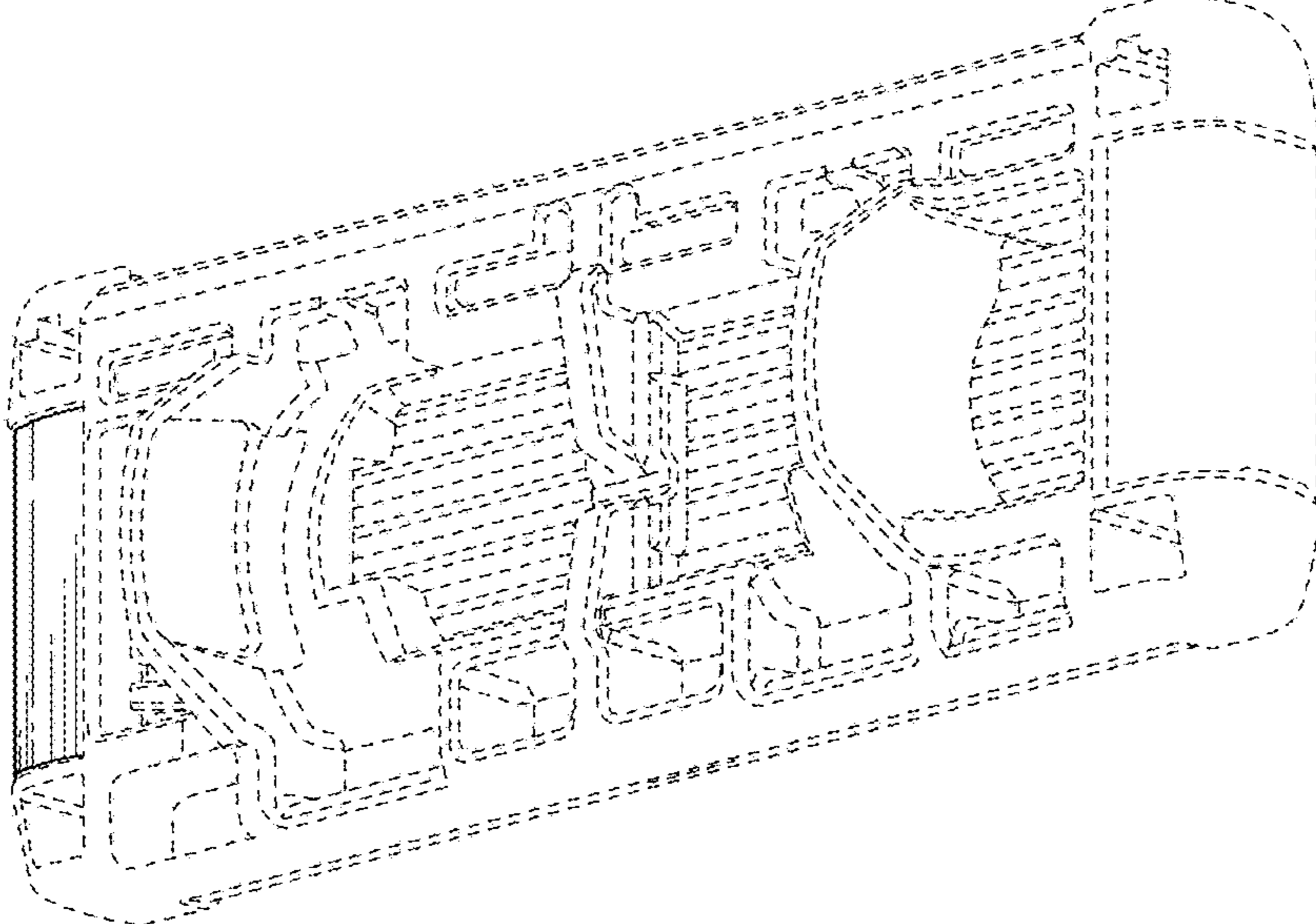


FIG. 2

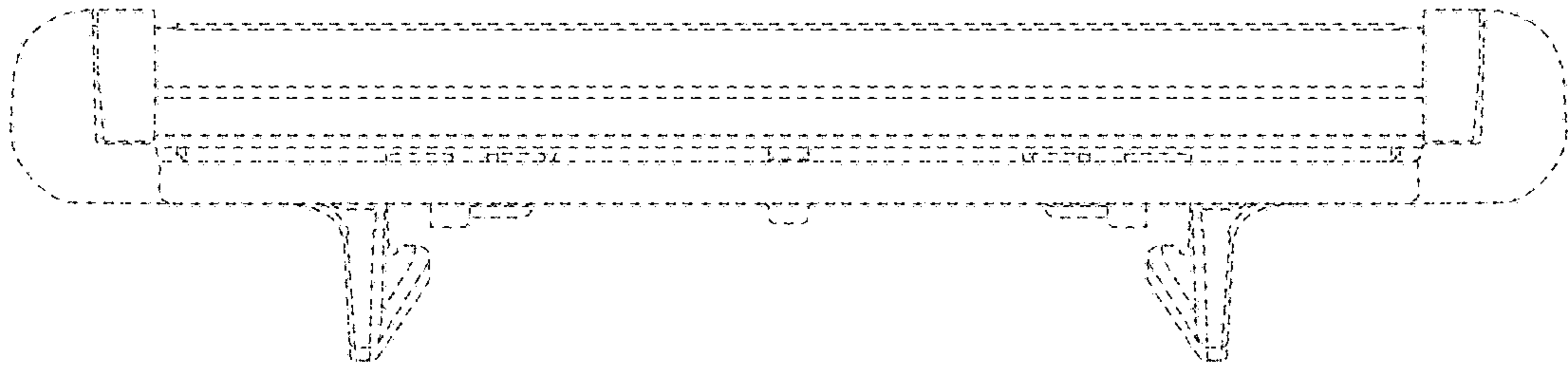


FIG. 3

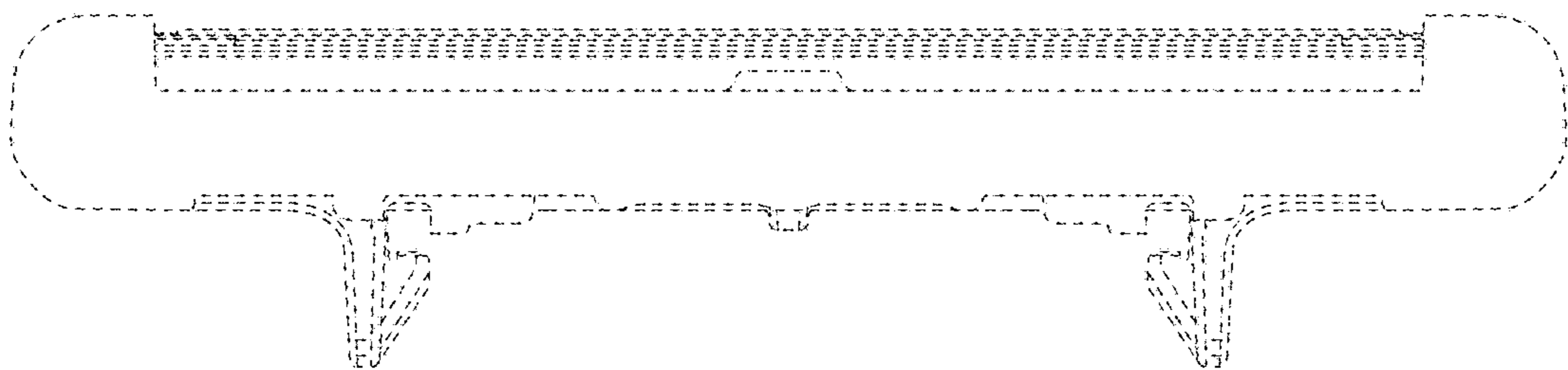


FIG. 4

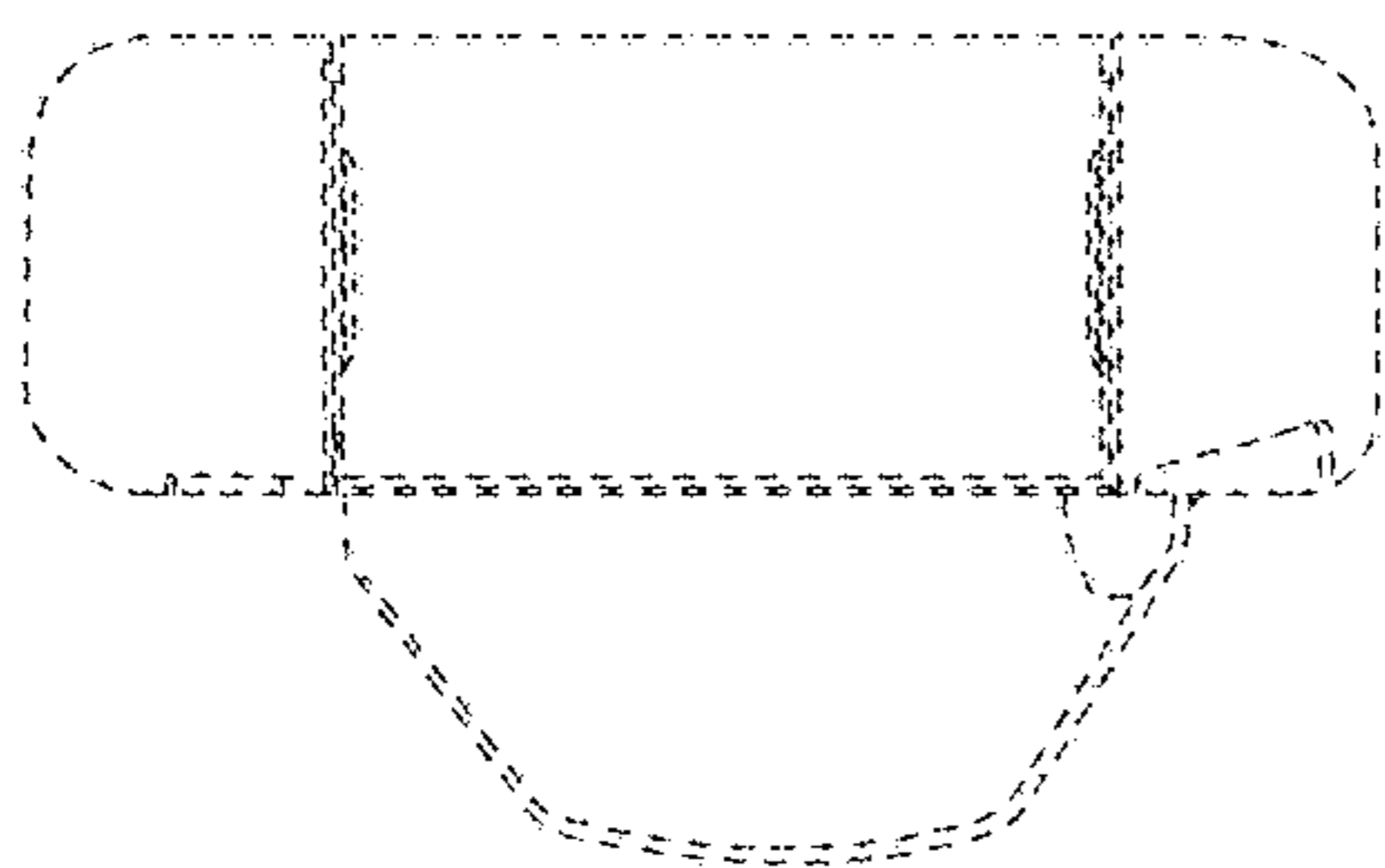


FIG. 5

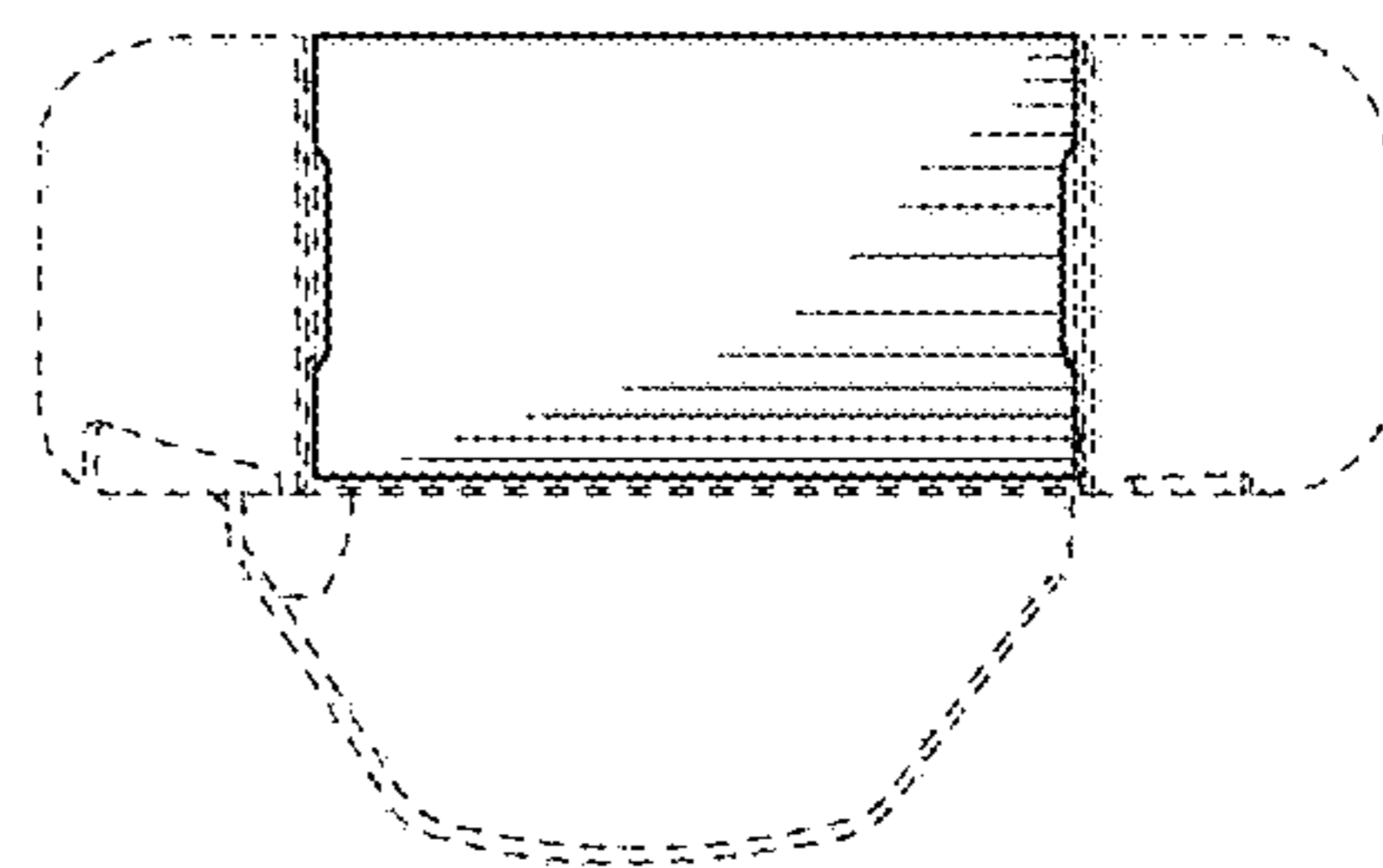


FIG. 6



FIG. 7

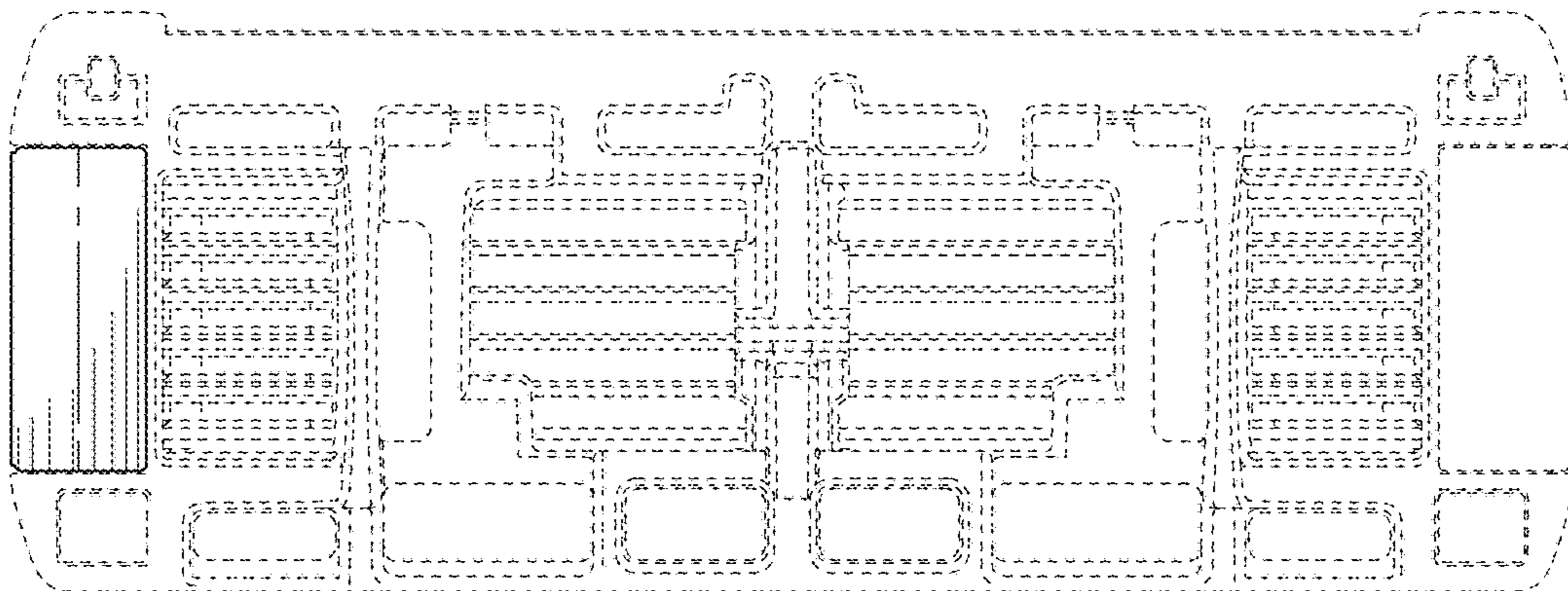


FIG. 8