



US00D832513S

(12) **United States Design Patent** (10) **Patent No.:** **US D832,513 S**
Ackerman et al. (45) **Date of Patent:** **** Oct. 30, 2018**

(54) **RAZOR** 2,839,224 A * 6/1958 Lipka B26B 21/446
 222/191
 (71) Applicants: **Adam Ackerman**, Newport Beach, CA 4,125,939 A * 11/1978 Brothers B26B 21/22
 (US); **Kenneth Stoller**, Newport Beach, CA (US) 30/50
 D369,437 S * 4/1996 Armbruster D28/46
 D615,708 S * 5/2010 Lukan D28/48
 D636,531 S * 4/2011 Wilson D28/46
 (72) Inventors: **Adam Ackerman**, Newport Beach, CA D700,995 S * 3/2014 Lee D28/48
 (US); **Kenneth Stoller**, Newport Beach, CA (US) D700,996 S * 3/2014 Lee D28/48
 9,505,142 B2 * 11/2016 Nordstrom B26B 21/18
 9,840,014 B2 * 12/2017 Gilor B26B 21/18
 9,931,755 B2 * 4/2018 Gilor B26B 21/443
 (73) Assignee: **SHAVEOLOGY, INC.**, Newport Beach, CA (US) 2017/0297212 A1 * 10/2017 Nordstrom B26B 21/521
 2018/0065264 A1 * 3/2018 Gilor B26B 21/443

(**) Term: **15 Years**

* cited by examiner

(21) Appl. No.: **29/597,840**

Primary Examiner — Jennifer Rivard

(22) Filed: **Mar. 21, 2017**

(74) *Attorney, Agent, or Firm* — Justin Lampel

(51) **LOC (11) Cl.** **28-03**

(52) **U.S. Cl.**
USPC **D28/46**

(57) **CLAIM**

The ornamental design for a razor, as shown and described.

(58) **Field of Classification Search**
USPC D28/46–48
CPC B26B 21/52–21/528; B26B 21/14–21/38;
B26B 21/08; B26B 21/00; B26B
21/40–21/60
See application file for complete search history.

DESCRIPTION

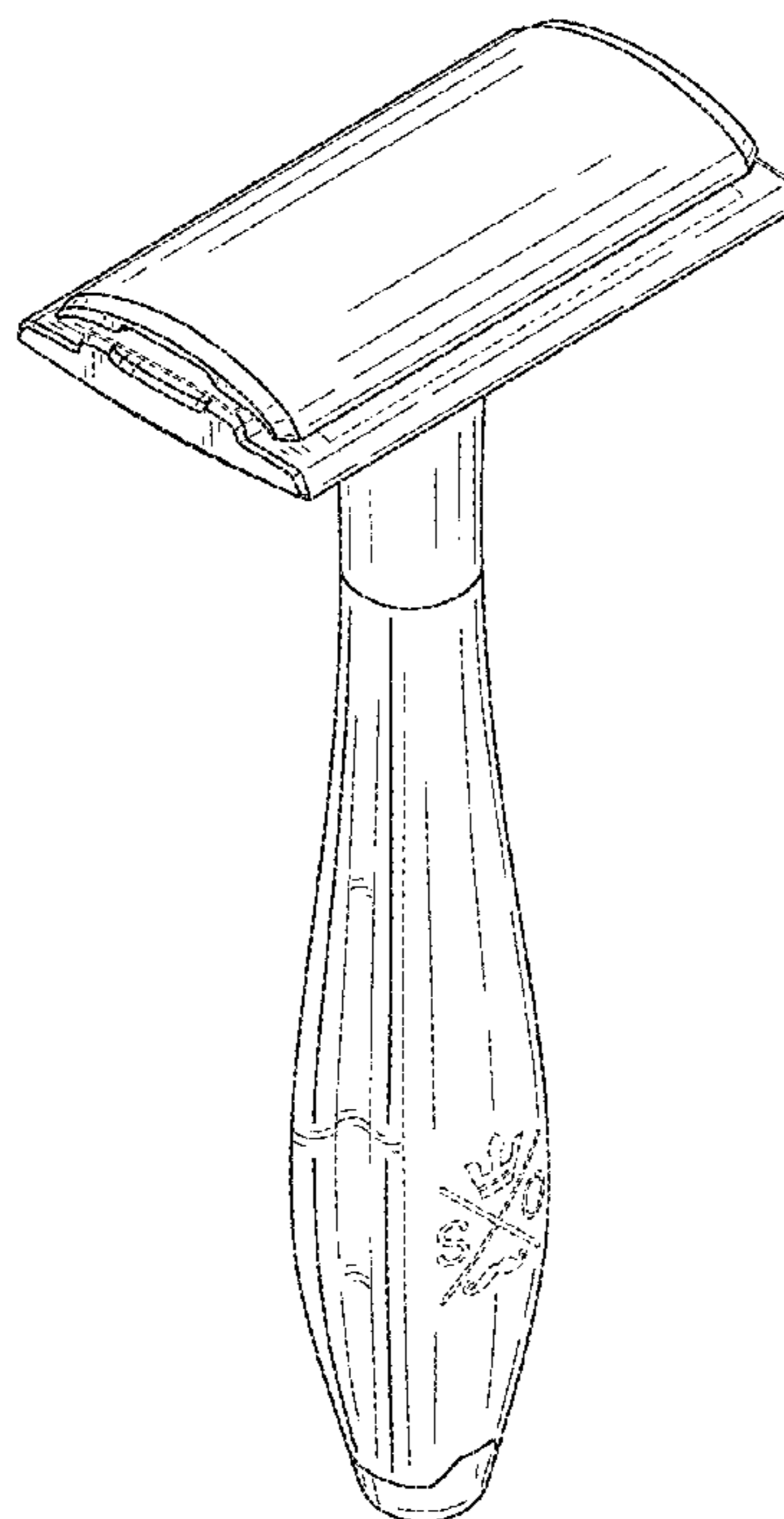
FIG. 1 is a perspective view of the razor;
 FIG. 2 is a front view of the razor;
 FIG. 3 is a back view of the razor;
 FIG. 4 is a left side view of the razor;
 FIG. 5 is a right side view of the razor;
 FIG. 6 is a top view of the razor; and,
 FIG. 7 is a bottom view of the razor.
 The broken lines shown in the drawings illustrate portions of the razor and form no part of the claimed design.

(56) **References Cited**

U.S. PATENT DOCUMENTS

1,169,637 A * 1/1916 Grove B26B 21/446
30/286
1,419,187 A * 6/1922 Wilson B26B 21/42
30/31

1 Claim, 5 Drawing Sheets



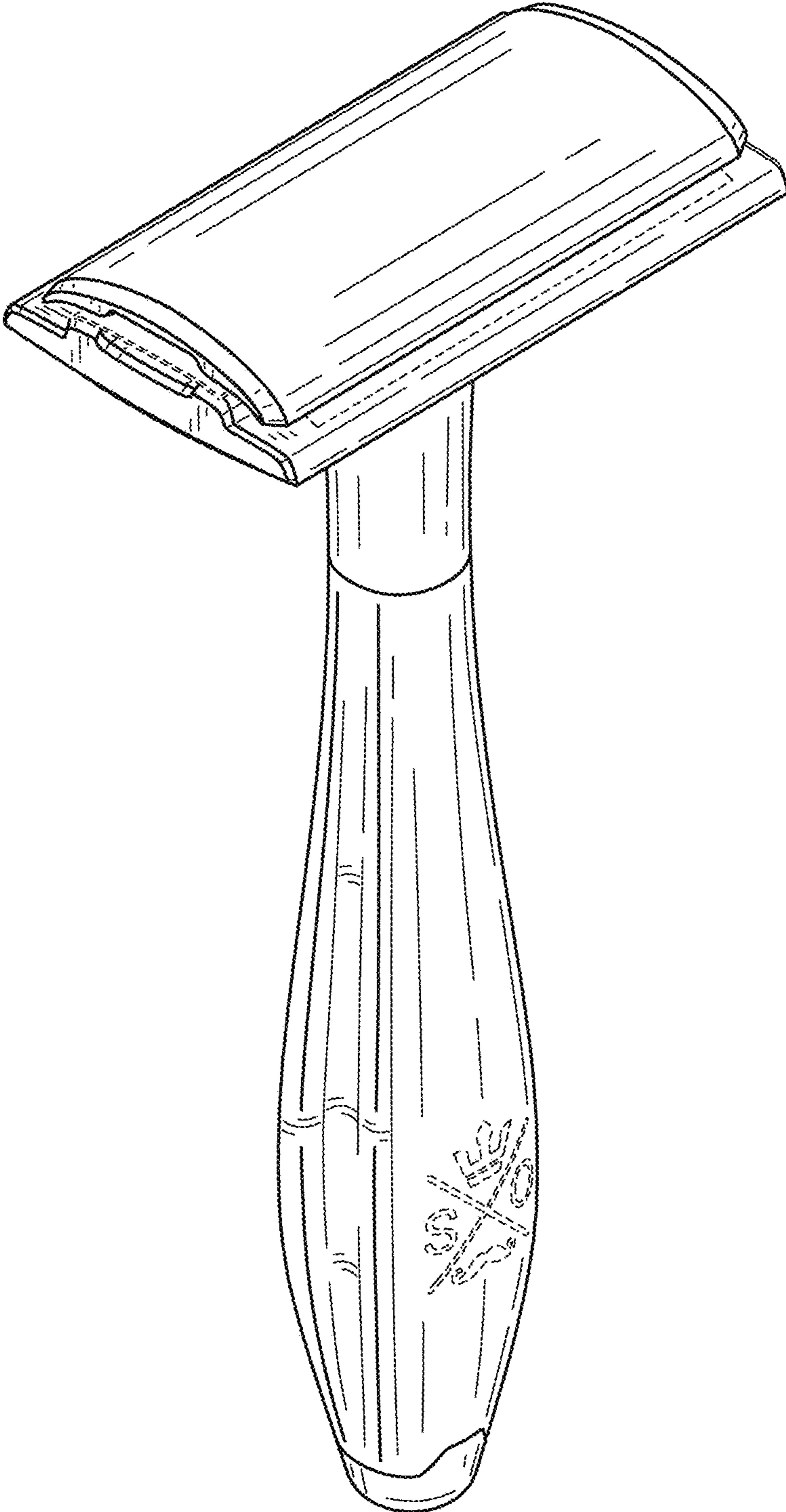


FIG. 1

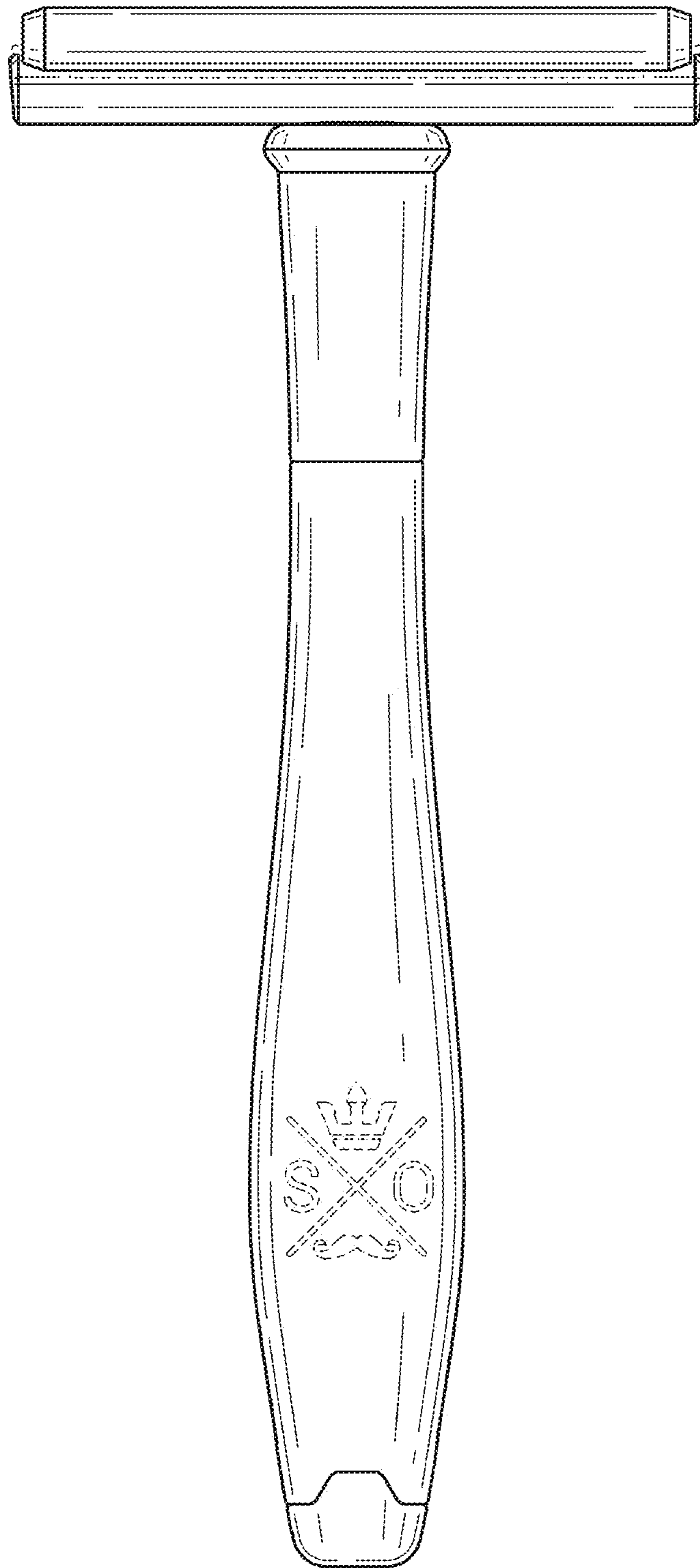


FIG. 2

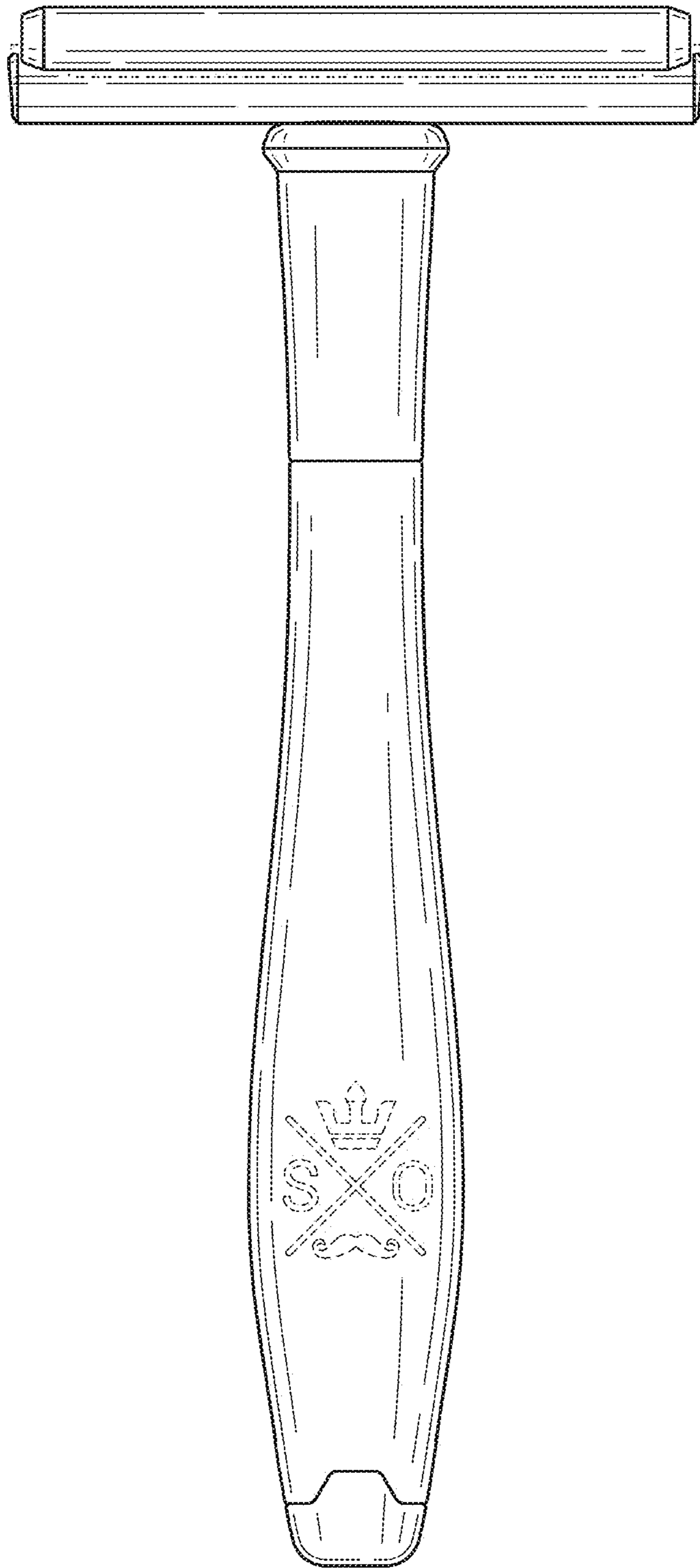


FIG. 3

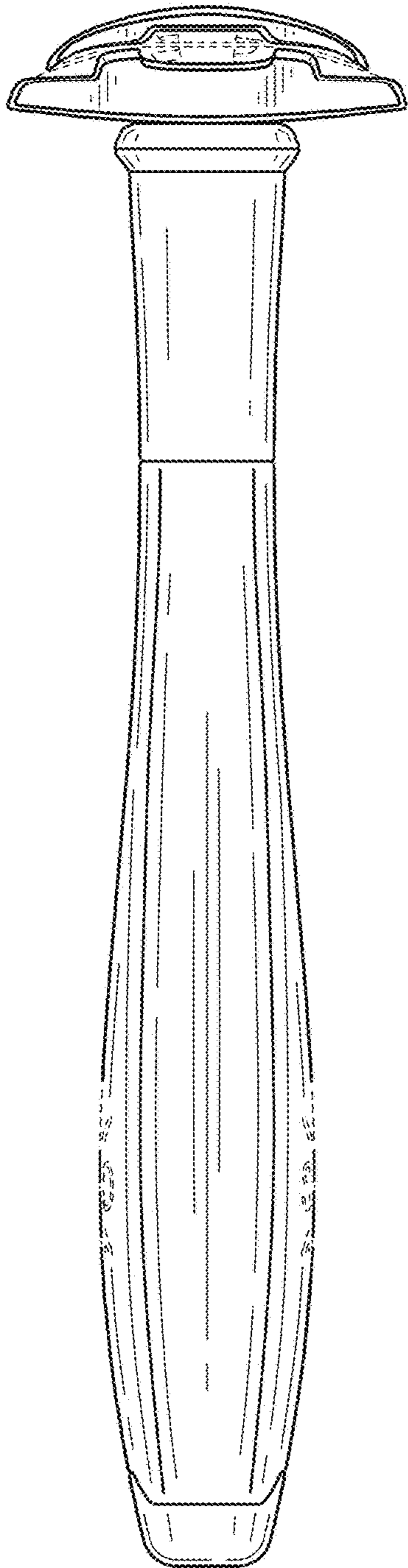


FIG. 4

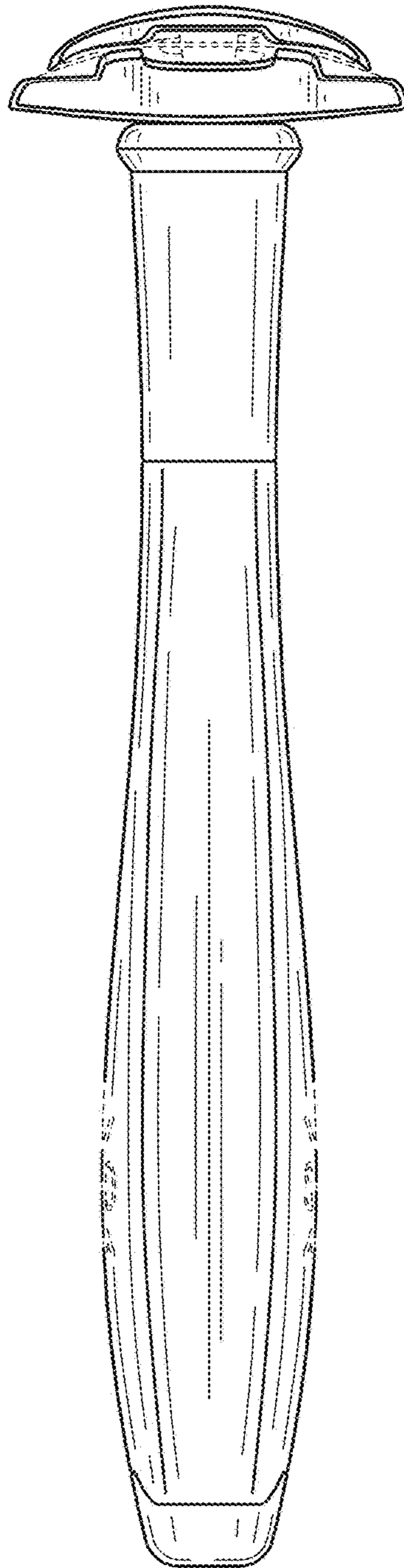


FIG. 5

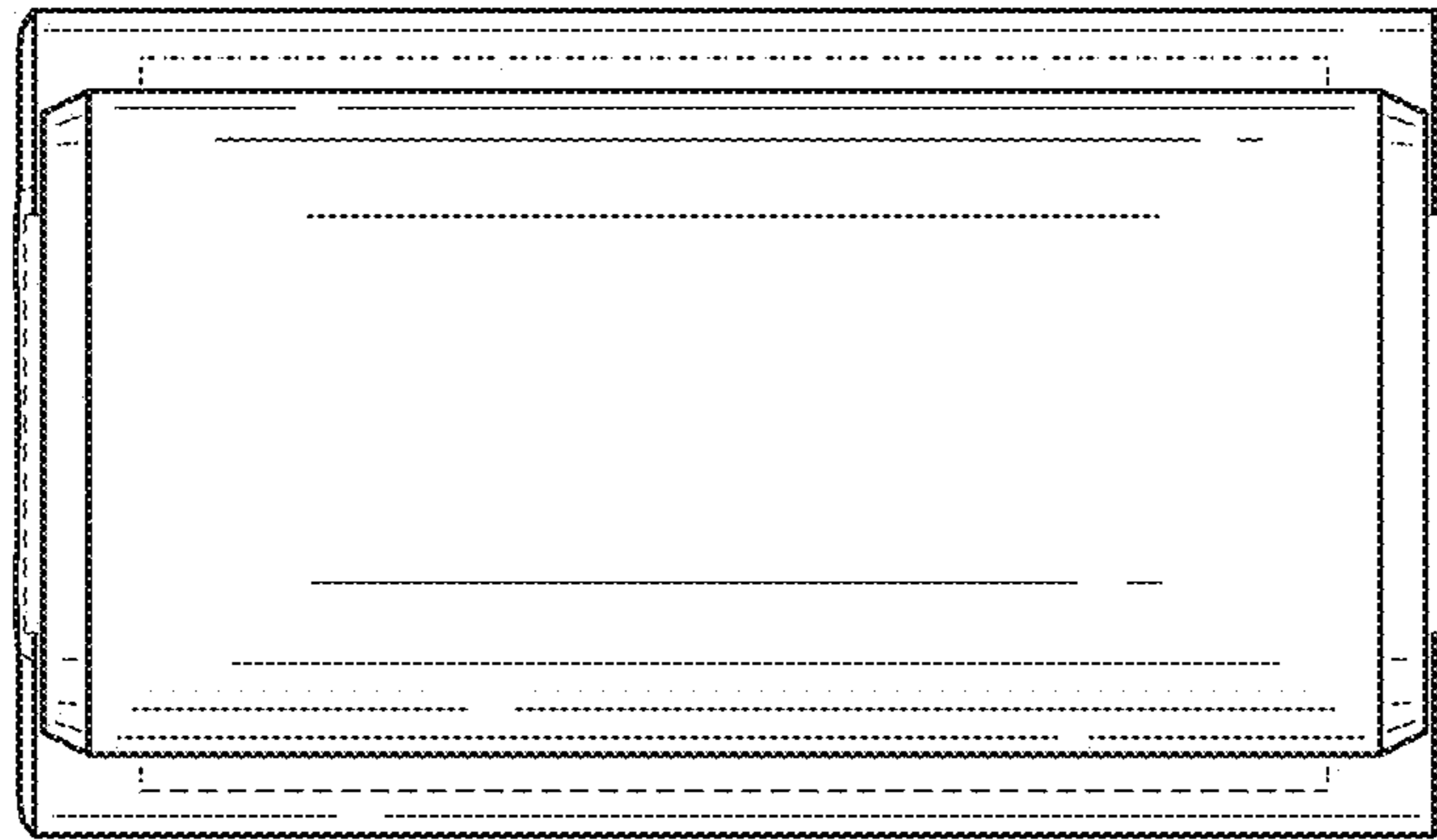


FIG. 6

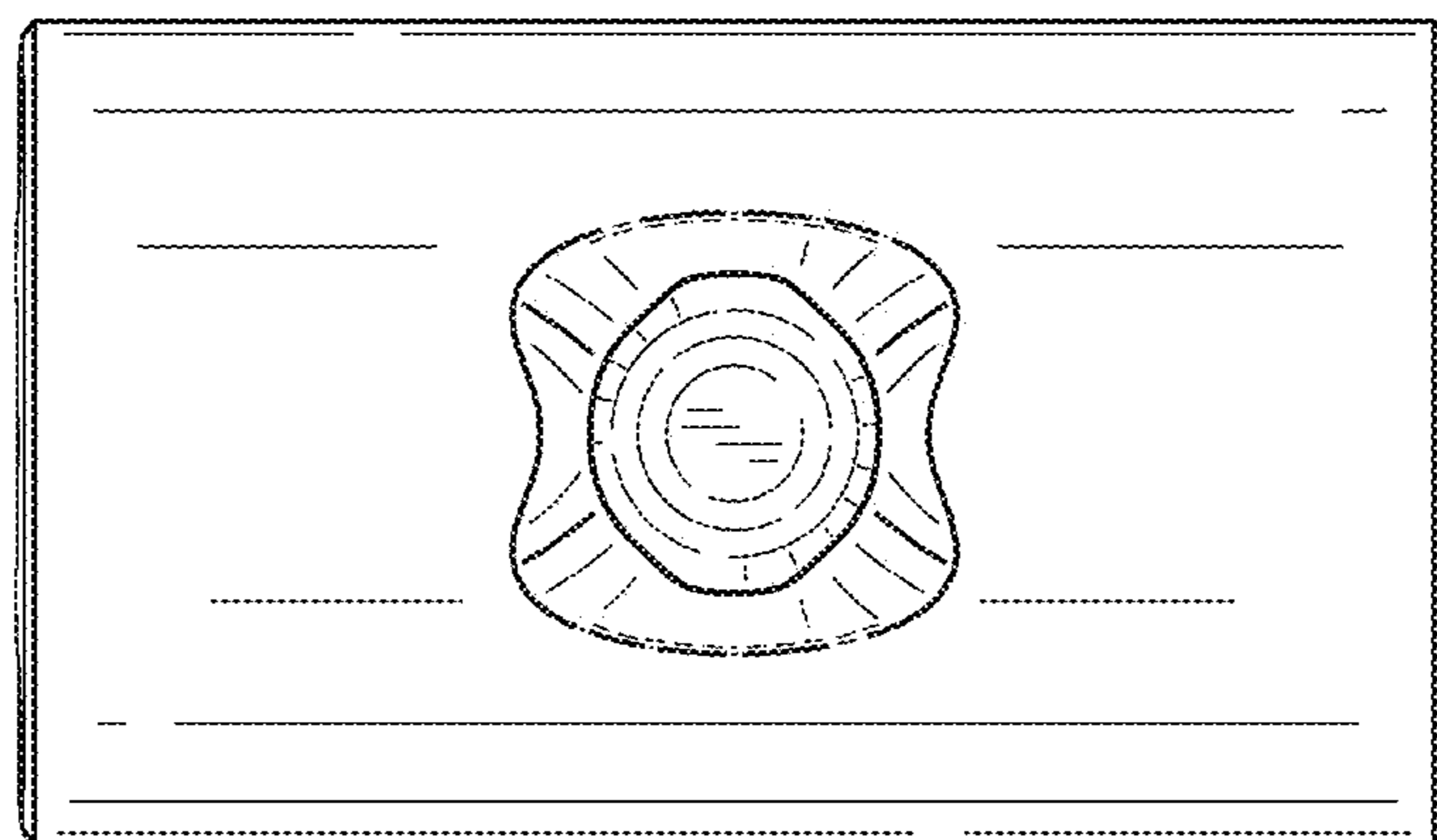


FIG. 7