



US00D832511S

(12) **United States Design Patent** (10) **Patent No.:** **US D832,511 S**  
**Chandra et al.** (45) **Date of Patent:** **\*\* Oct. 30, 2018**

- (54) **HAIR STYLING IRON**
- (71) Applicants: **Aakriti Chandra**, Jersey City, NJ (US);  
**Yoon Jung Heo**, Fort Lee, NJ (US);  
**Mathieu Zastawny**, Jersey City, NJ (US); **Dio Caverro**, North Merrick, NY (US); **Gary Koenemann**, El Paso, TX (US)
- (72) Inventors: **Aakriti Chandra**, Jersey City, NJ (US);  
**Yoon Jung Heo**, Fort Lee, NJ (US);  
**Mathieu Zastawny**, Jersey City, NJ (US); **Dio Caverro**, North Merrick, NY (US); **Gary Koenemann**, El Paso, TX (US)
- (73) Assignee: **HELEN OF TROY LIMITED**, St. Michael (BB)

(\*\*) Term: **15 Years**  
(21) Appl. No.: **29/626,644**

(22) Filed: **Nov. 17, 2017**  
(51) **LOC (11) Cl.** ..... **28-03**  
(52) **U.S. Cl.**  
USPC ..... **D28/35**  
(58) **Field of Classification Search**  
USPC ..... D28/35-38  
CPC ... A45D 2/12; A45D 2/14; A45D 2/36-2/367;  
A45D 2/001-2/002; A45D 2/06; A45D 2/40; A45D 1/00; A45D 1/02-1/04; A45D 1/06; A45D 1/10; A45D 1/16; A45D 1/28  
See application file for complete search history.

(56) **References Cited**

U.S. PATENT DOCUMENTS

- D575,453 S \* 8/2008 Overend ..... D28/35
- D609,401 S \* 2/2010 Yang ..... D28/35
- D618,395 S \* 6/2010 Mau ..... D28/35
- D629,156 S \* 12/2010 Kim ..... D28/35
- D682,467 S \* 5/2013 Kim ..... D28/35

- D719,296 S \* 12/2014 Brady ..... D28/35
- D780,374 S \* 2/2017 Yu ..... D28/35
- D798,503 S \* 9/2017 Ceva ..... D28/35

OTHER PUBLICATIONS

Furiden Professional Hair Straightener, www.amazon.com, 1 page, downloaded Sep. 10, 2018.\*

\* cited by examiner

*Primary Examiner* — Jennifer Rivard

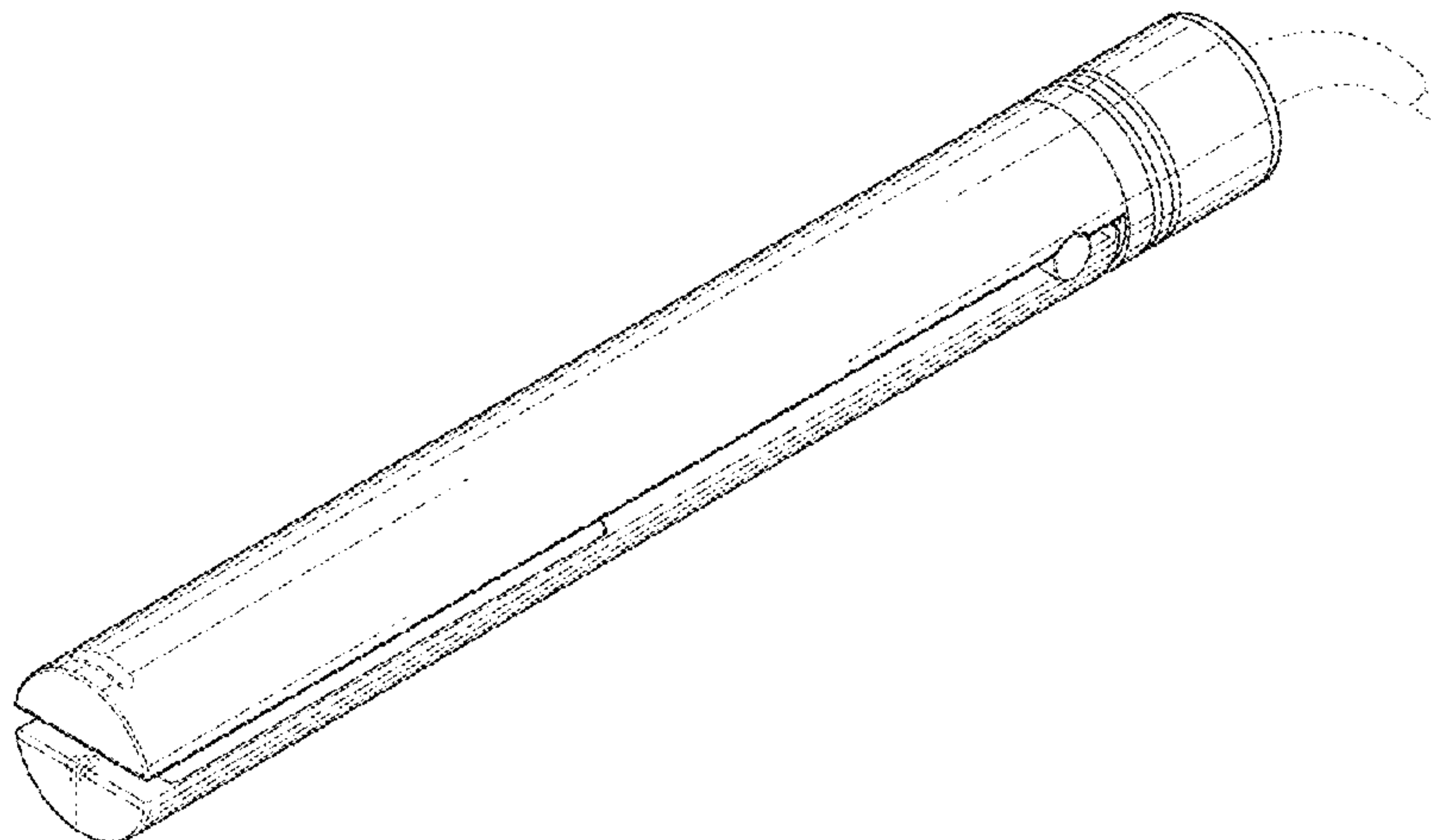
(57) **CLAIM**

The ornamental design for a hair styling iron, as shown and described.

**DESCRIPTION**

FIG. 1 is a perspective view of a hair styling iron;  
FIG. 2 is a top view thereof;  
FIG. 3 is a right side view thereof (with the left side a mirror image thereof);  
FIG. 4 is a bottom view thereof;  
FIG. 5 is a front elevation view thereof;  
FIG. 6 is a rear elevation view thereof; and,  
FIG. 7 is a perspective view thereof in an opened position.  
The broken lines shown in the figures are for the purpose of illustrating portions of the hair styling iron and form no part of the claimed design.

**1 Claim, 7 Drawing Sheets**



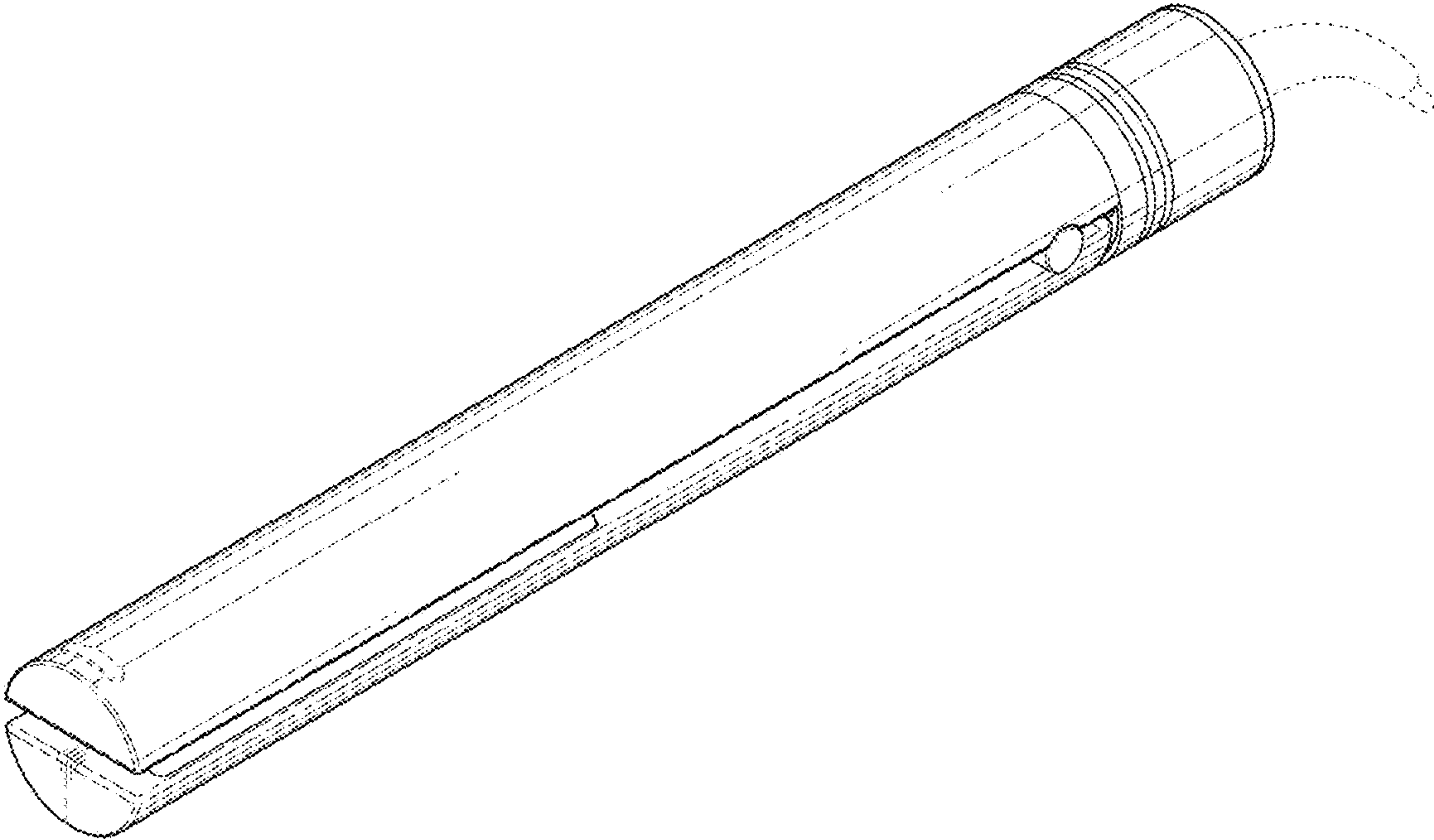


FIG. 1

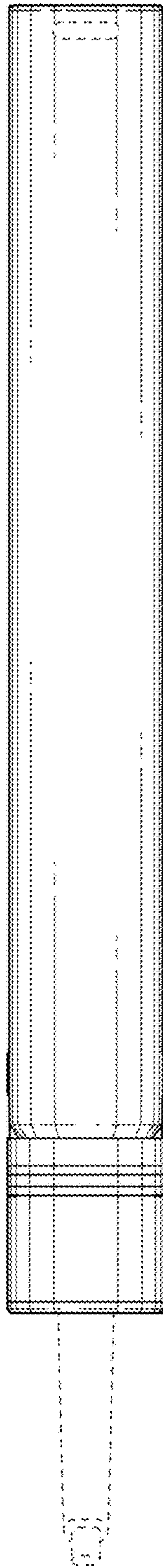


FIG. 2

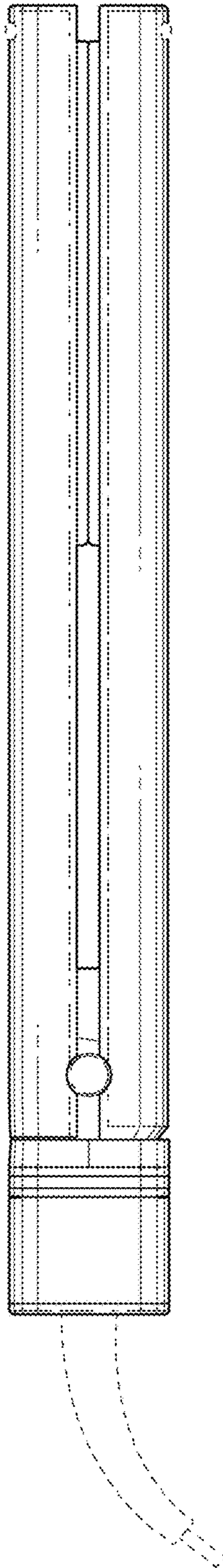


FIG. 3

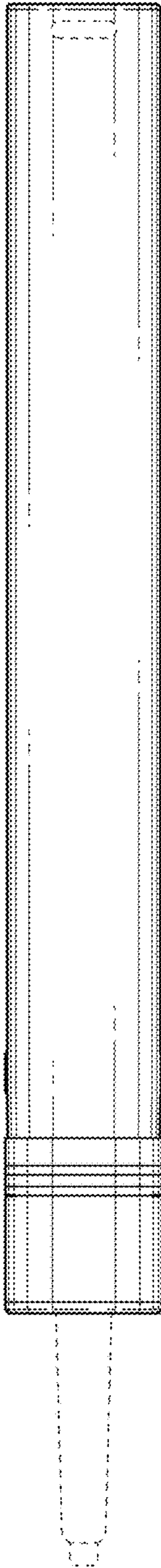


FIG. 4

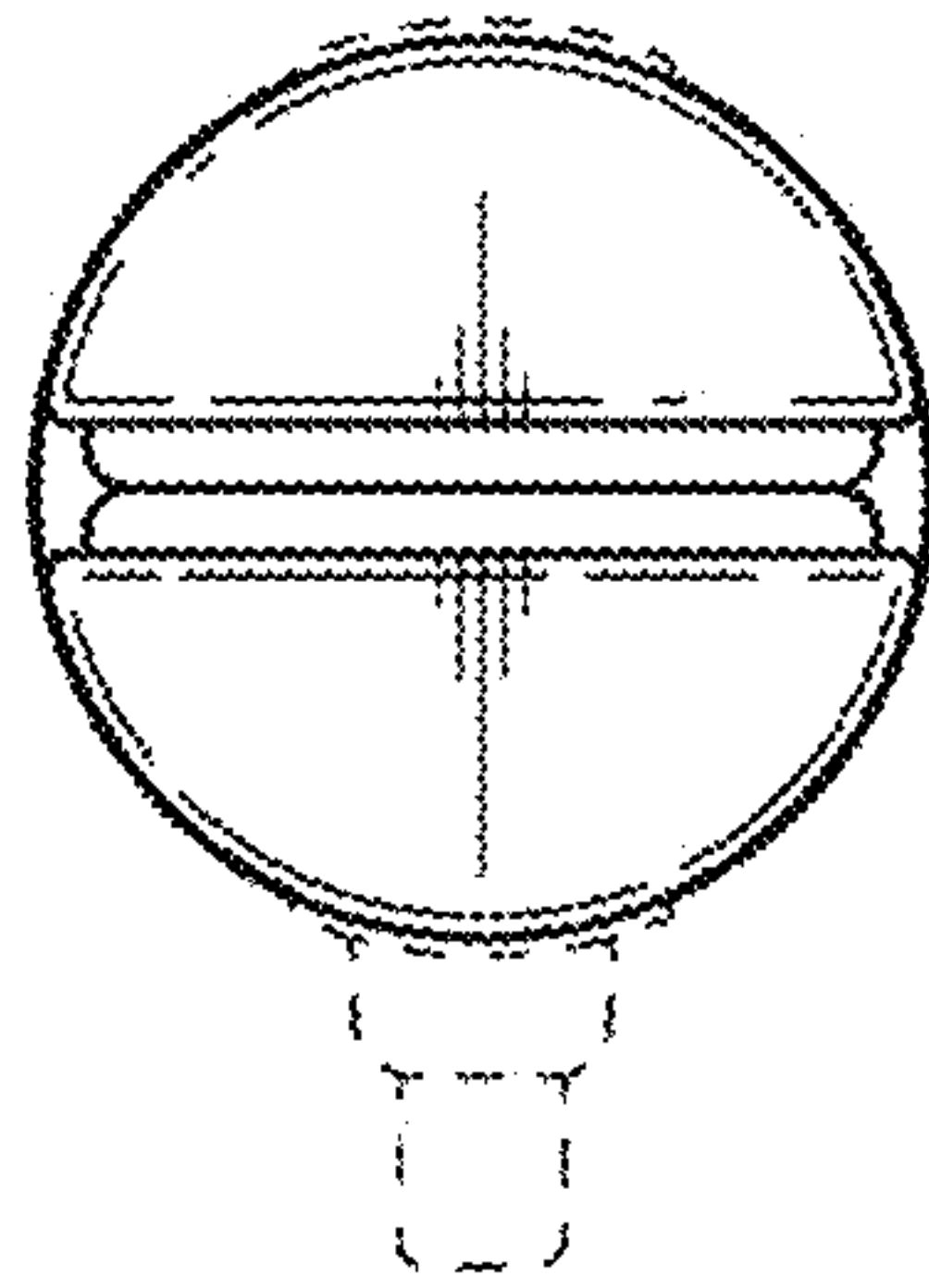


FIG. 5

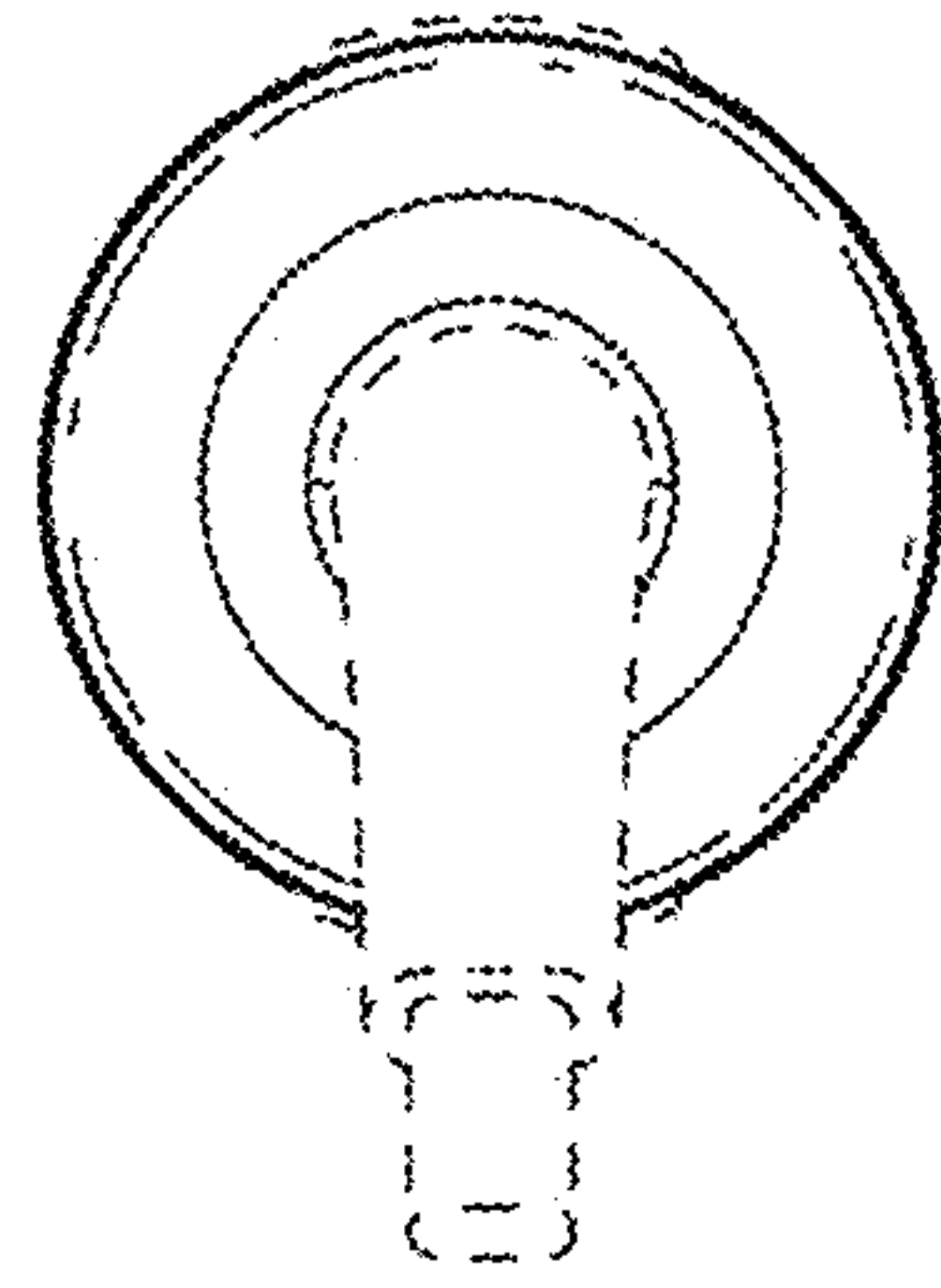


FIG. 6



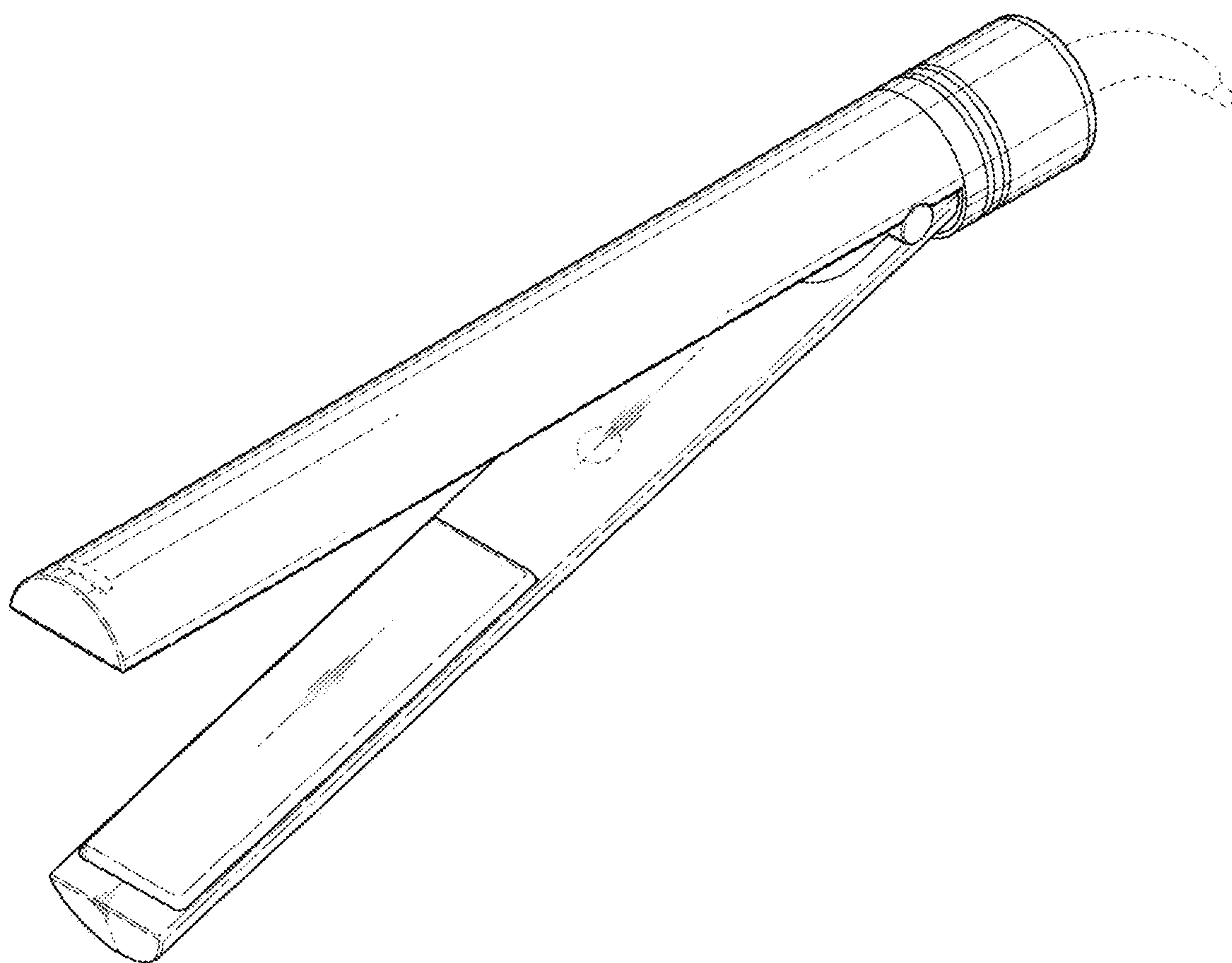


FIG. 7