



US00D832509S

(12) **United States Design Patent** (10) **Patent No.:** **US D832,509 S**
Kan (45) **Date of Patent:** **** Oct. 30, 2018**

(54) **HAIR DRYER**

(71) Applicant: **Lumielina International Inc.,**
Chuo-ku, Tokyo (JP)

(72) Inventor: **Satoshi Kan,** Tokyo (JP)

(73) Assignee: **LUMIELINA INTERNATIONAL INC.,** Tokyo (JP)

(**) Term: **15 Years**

(21) Appl. No.: **29/604,417**

(22) Filed: **May 17, 2017**

(30) **Foreign Application Priority Data**

Nov. 17, 2016 (JP) 2016-025062

(51) **LOC (11) Cl.** **28-03**

(52) **U.S. Cl.**
USPC **D28/18**

(58) **Field of Classification Search**
USPC D28/10, 11, 12, 13, 14, 15, 16, 17, 18,
D28/19
CPC A45D 20/00; A45D 20/04; A45D 20/06;
A45D 20/10; A45D 20/12; A45D 20/122;
A45D 20/124; A45D 20/18; A45D 20/48;
A45D 20/52
See application file for complete search history.

(56) **References Cited**

U.S. PATENT DOCUMENTS

- 3,543,412 A * 12/1970 Price A45D 20/18
132/212
- 3,846,047 A * 11/1974 Wada A45D 20/10
34/201
- D238,618 S * 1/1976 Nagelkerke D28/18
- D246,730 S * 12/1977 Tomaro D28/13
- 4,370,544 A * 1/1983 Fujishima A45D 20/30
200/50.28
- D273,141 S * 3/1984 Webb D28/13
- D289,566 S * 4/1987 Yonezawa D28/13

(Continued)

OTHER PUBLICATIONS

Hairviewer Good reviews vs Bad reviews? More!, posted Jun. 8, 2016 [online], retrieved May 31, 2018, retrieved online, <http://kusege.makolove.com/archives/579>.*

(Continued)

Primary Examiner — Barbara Fox

Assistant Examiner — Messina L Smith

(74) *Attorney, Agent, or Firm* — Cantor Colburn LLP

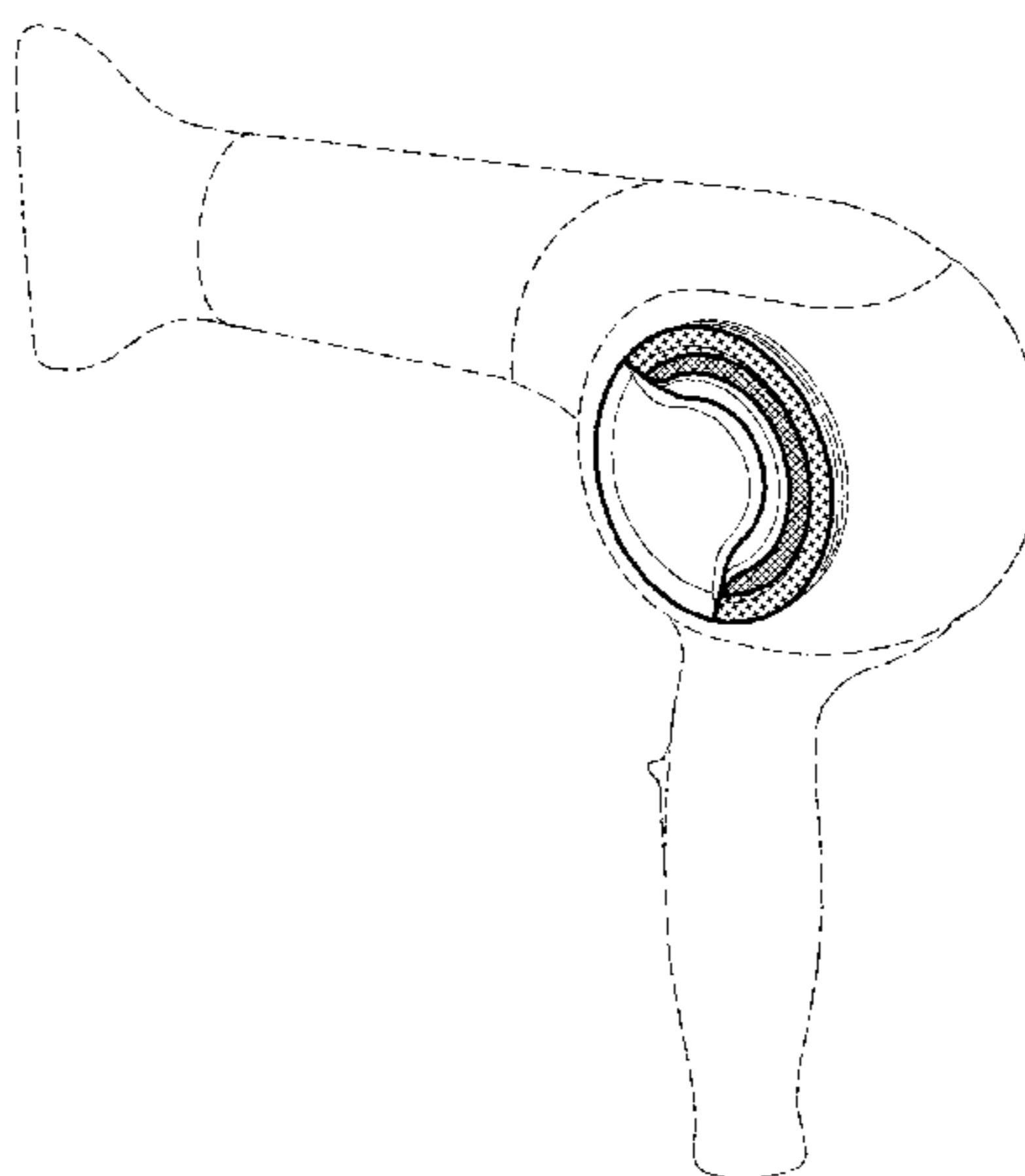
(57) **CLAIM**

The ornamental design for a hair dryer, as shown and described.

DESCRIPTION

FIG. 1 is a perspective view of a hair dryer, showing the new design in a first embodiment;
 FIG. 2 is a left-side view of the embodiment of FIG. 1.
 FIG. 3 is a front view of the embodiment of FIG. 1.
 FIG. 4 is a bottom view of the embodiment of FIG. 1.
 FIG. 5 is a top view of the embodiment of FIG. 1;
 FIG. 6 is a rear view of the embodiment of FIG. 1.
 FIG. 7 is right-side view of the embodiment of FIG. 1.
 FIG. 8 is a perspective view of the hair dryer shown in a second embodiment;
 FIG. 9 is a left-side view of the embodiment of FIG. 8.
 FIG. 10 is a front view of the embodiment of FIG. 8.
 FIG. 11 is a bottom view of the embodiment of FIG. 8.
 FIG. 12 is a top view of the embodiment of FIG. 8;
 FIG. 13 is a rear view of the embodiment of FIG. 8; and,
 FIG. 14 is right-side view of the embodiment of FIG. 8.
 The shaded portions in FIGS. 8-14 represent portions that have a different color than other portions of the hair dryer. The broken lines in the drawings are for the purpose of illustrating portions of the hair dryer that form no part of the claimed design.

1 Claim, 14 Drawing Sheets



(56)

References Cited

U.S. PATENT DOCUMENTS

D290,528 S * 6/1987 Muller D28/13
 D318,347 S * 7/1991 Hirose D28/12
 D360,282 S * 7/1995 Anzuoni, Jr. D28/13
 D443,723 S * 6/2001 Kishimoto D28/13
 D544,147 S * 6/2007 Baudouin D28/13
 D601,750 S * 10/2009 Eigenstetter D28/13
 D604,900 S * 11/2009 Yang D28/13
 D670,860 S * 11/2012 Matshushima D28/13
 D774,252 S * 12/2016 Guzzi D28/13
 D775,417 S * 12/2016 Cho D28/13
 D788,365 S * 5/2017 Lamballais D28/13
 2003/0079366 A1* 5/2003 Chang A45D 20/122
 34/96
 2005/0198854 A1* 9/2005 Hobe A45D 19/16
 34/96
 2009/0255143 A1* 10/2009 Lee A45D 20/12
 34/97

2012/0266483 A1* 10/2012 Palermo A45D 20/10
 34/97
 2015/0113823 A1* 4/2015 Lee A45D 20/12
 34/97
 2015/0192324 A1* 7/2015 Takemoto F24H 3/0423
 392/385
 2016/0022004 A1* 1/2016 Johnson A45D 20/525
 132/112

OTHER PUBLICATIONS

Hairbeauzer, ExcelleMium 2; Bioprogramming Brochure; Lumielina
 Accelerating Science & Technology, dated Feb. 16, 2016; 4 pgs.
 Hairbeauzer, ExcelleMium 2D Plus Professional; Bioprogramming
 Brochure; Lumielina Accelerating Science & Technology, dated
 Sep. 18, 2015; 2 pgs.

* cited by examiner

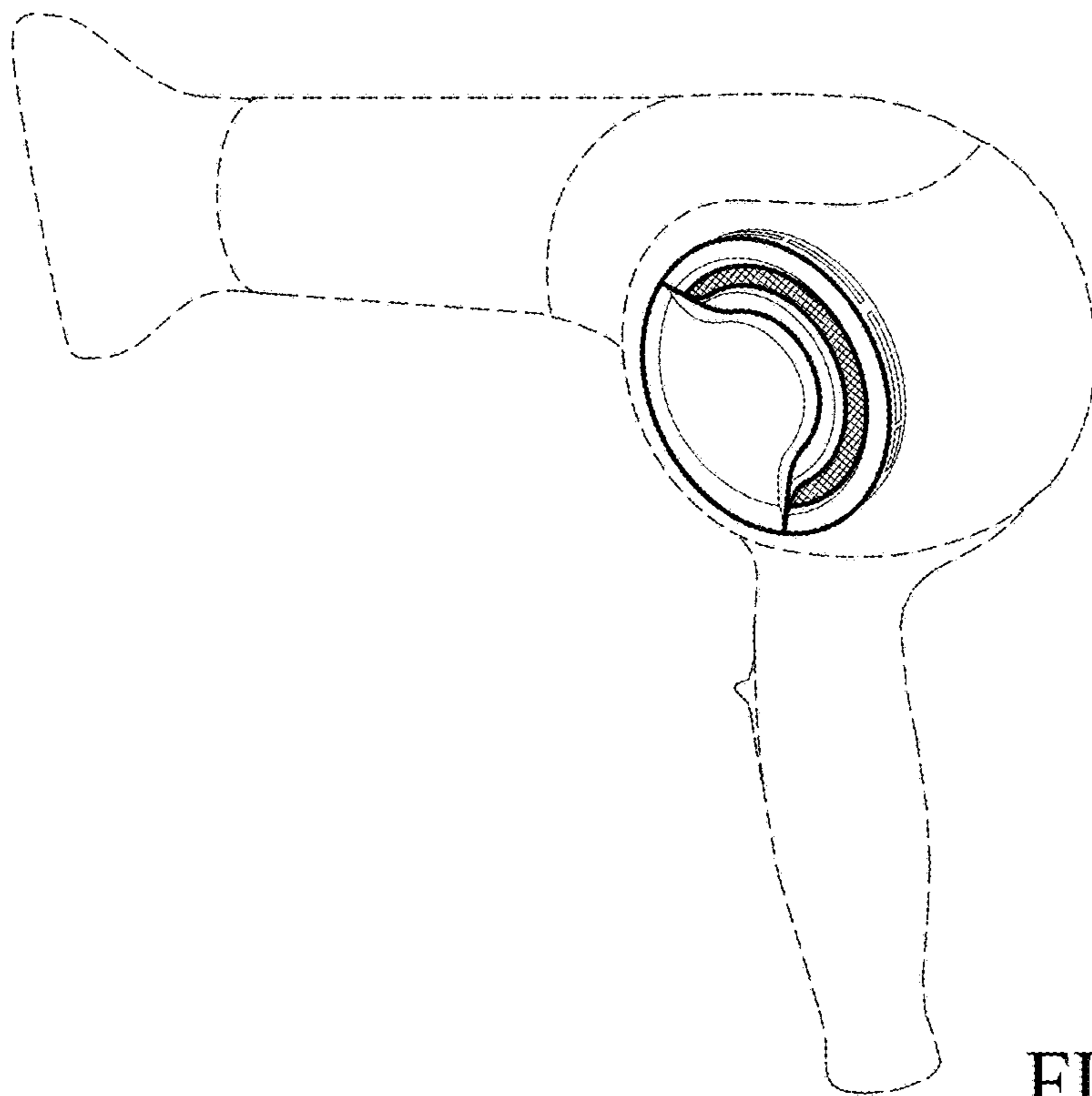


FIG. 1

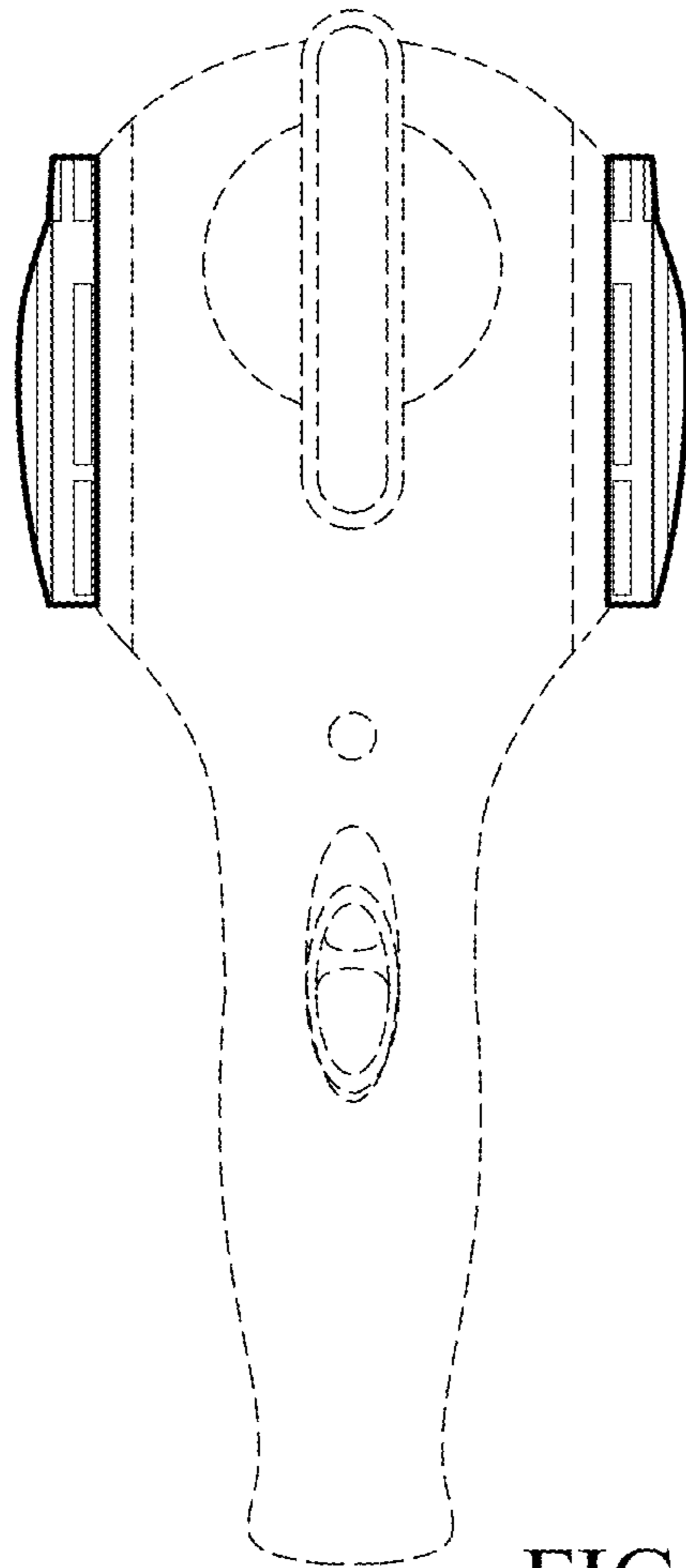


FIG. 2

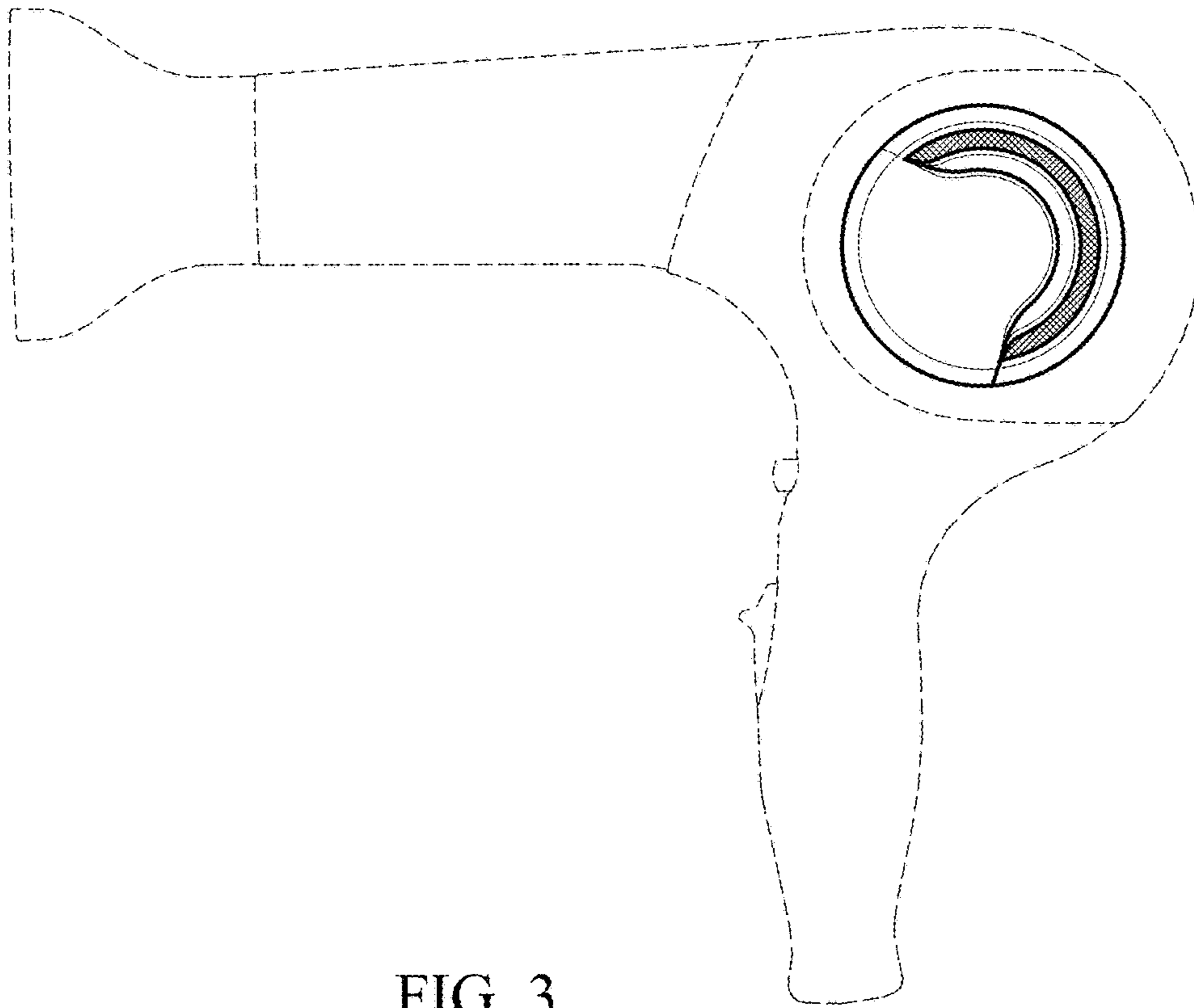


FIG. 3

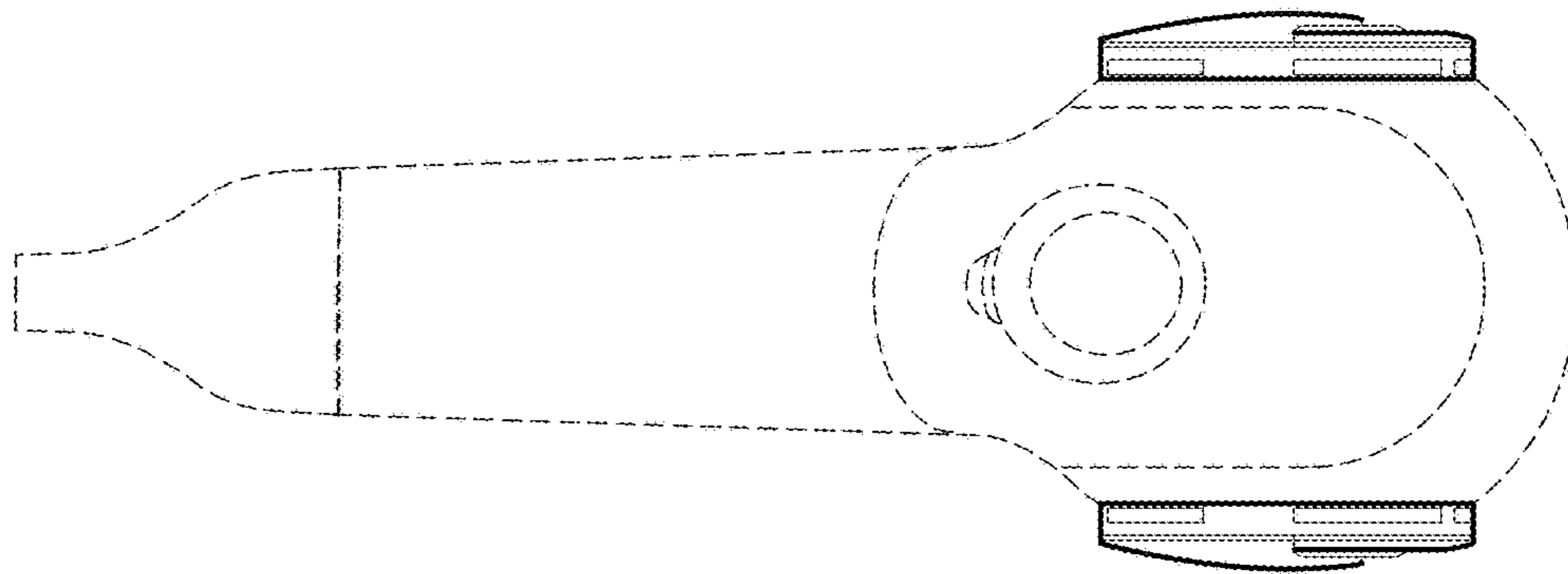


FIG. 4

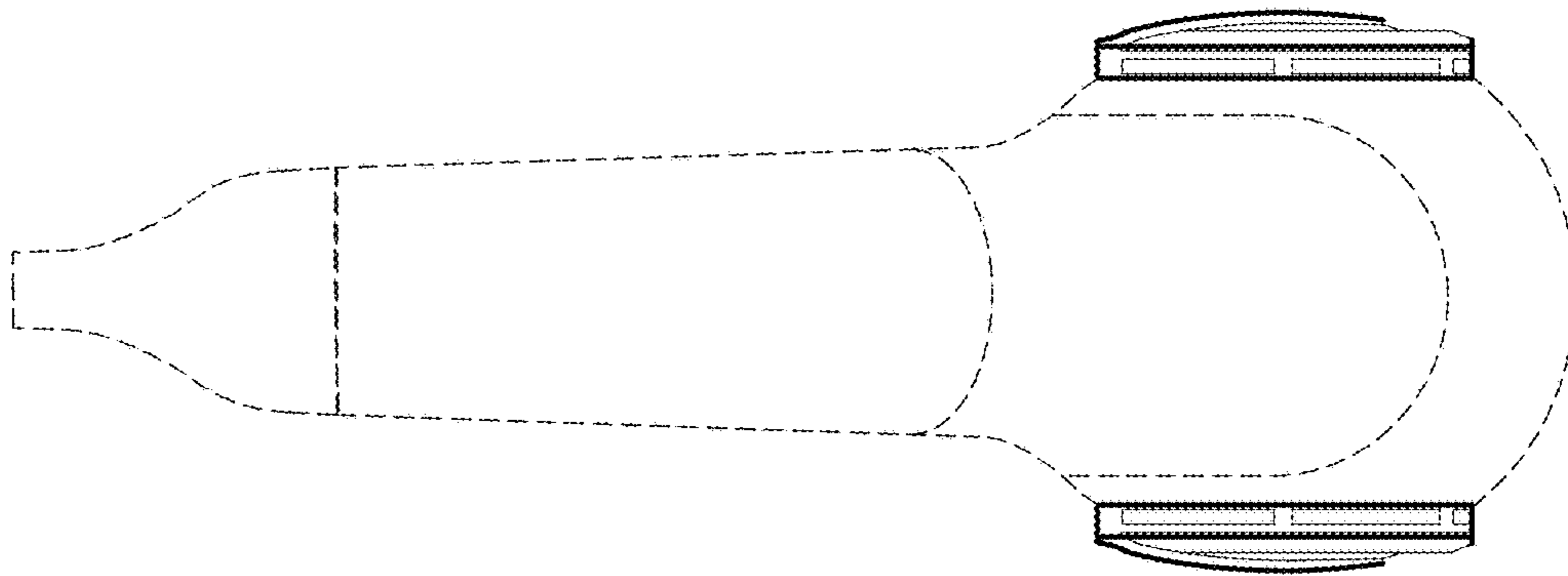


FIG. 5

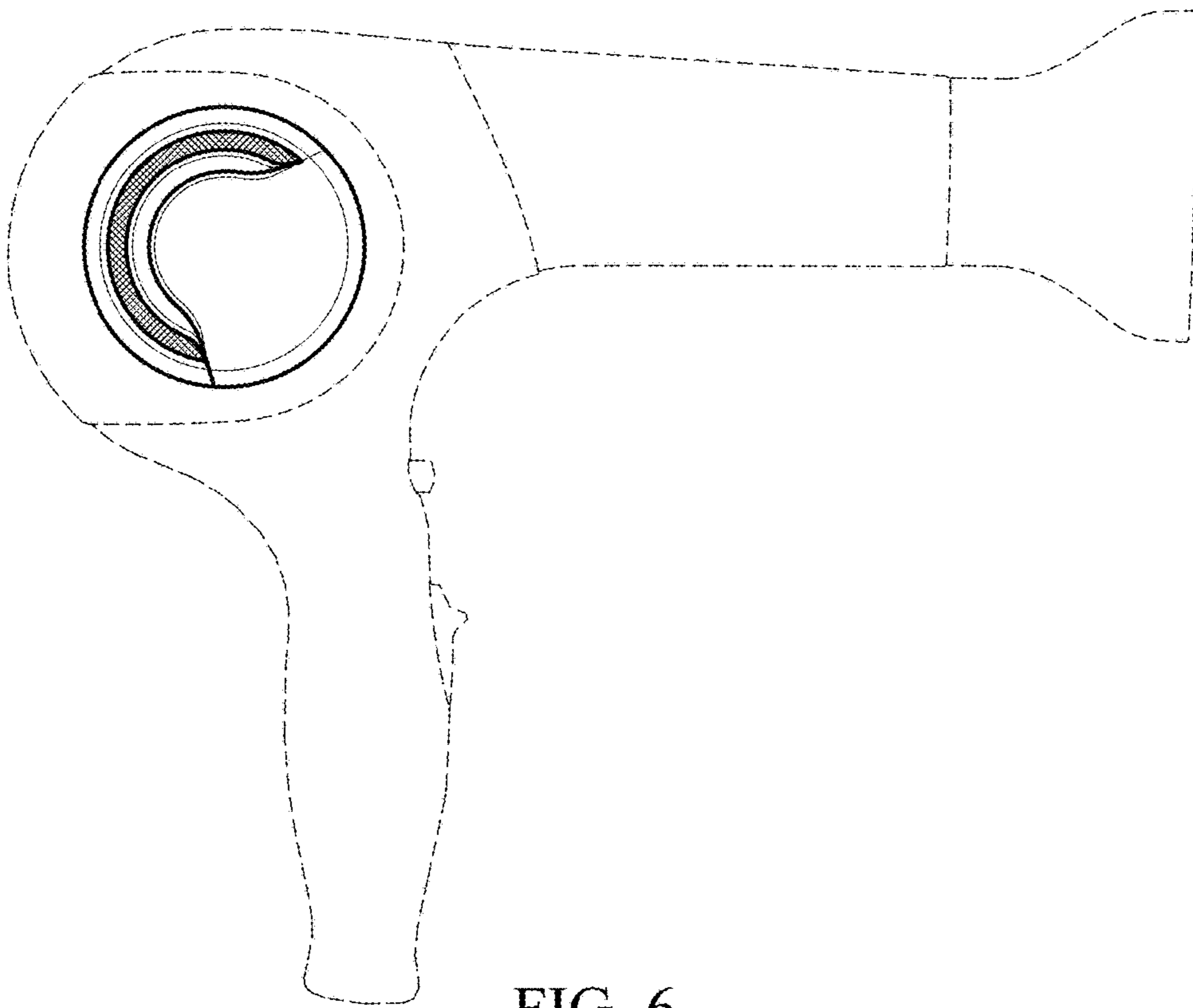


FIG. 6

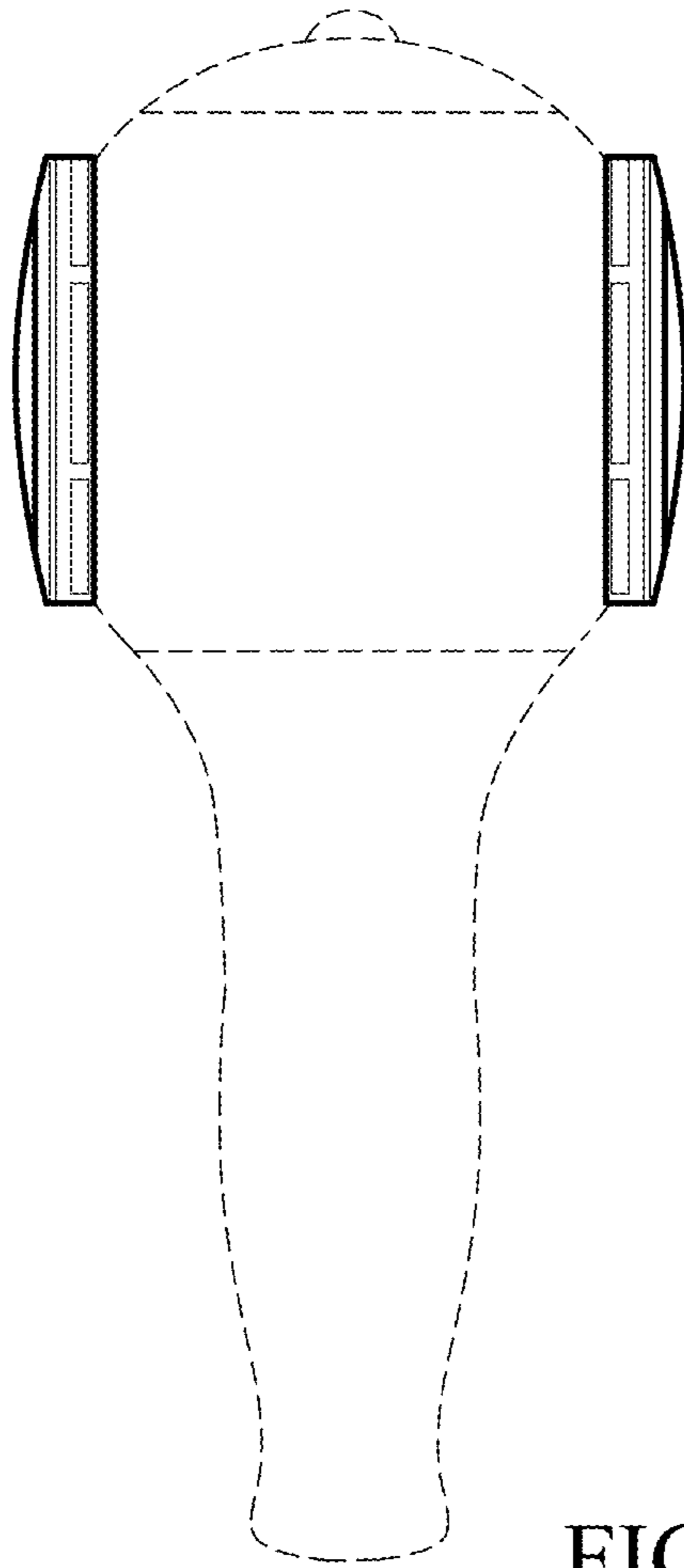


FIG. 7

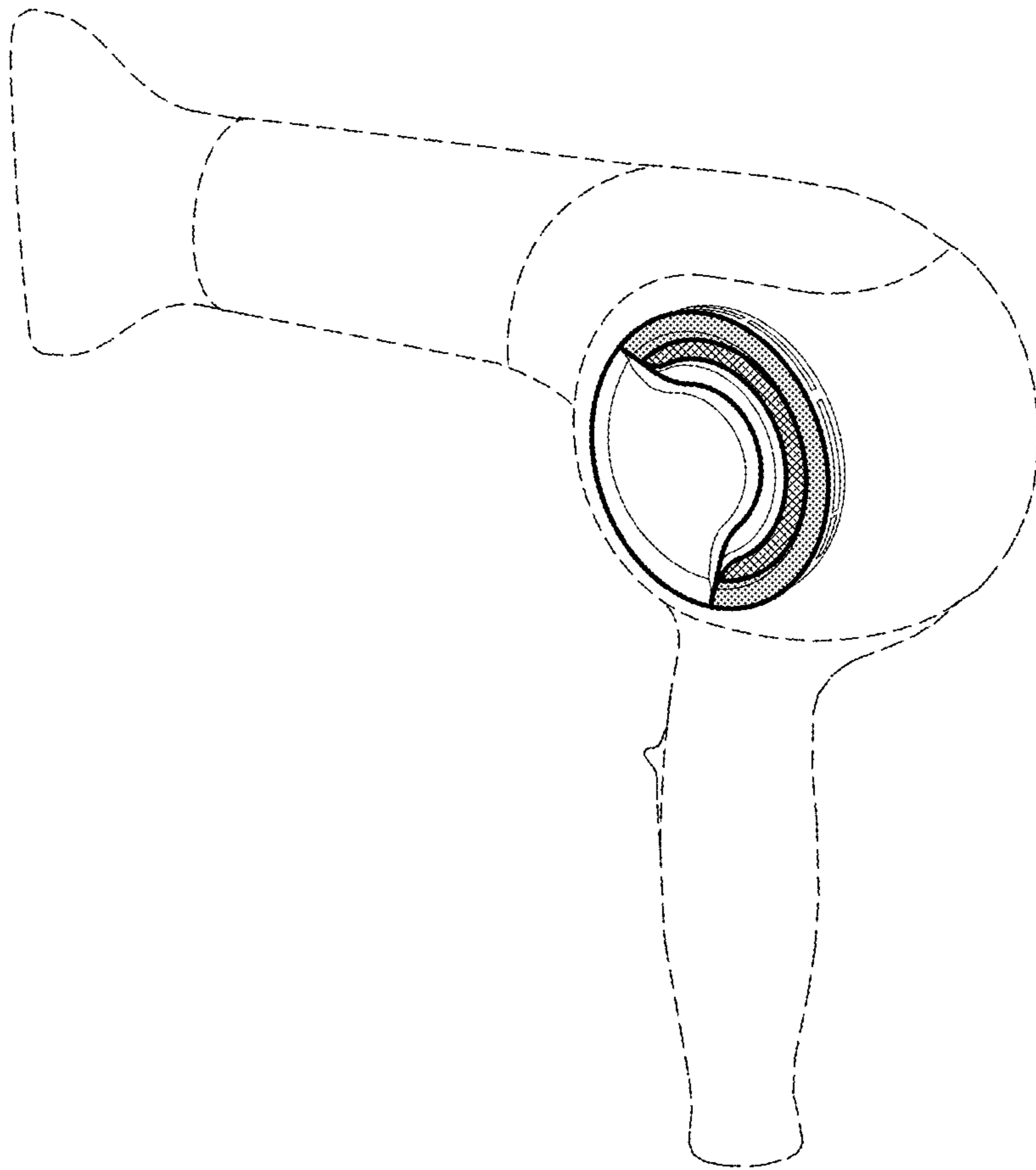


FIG. 8

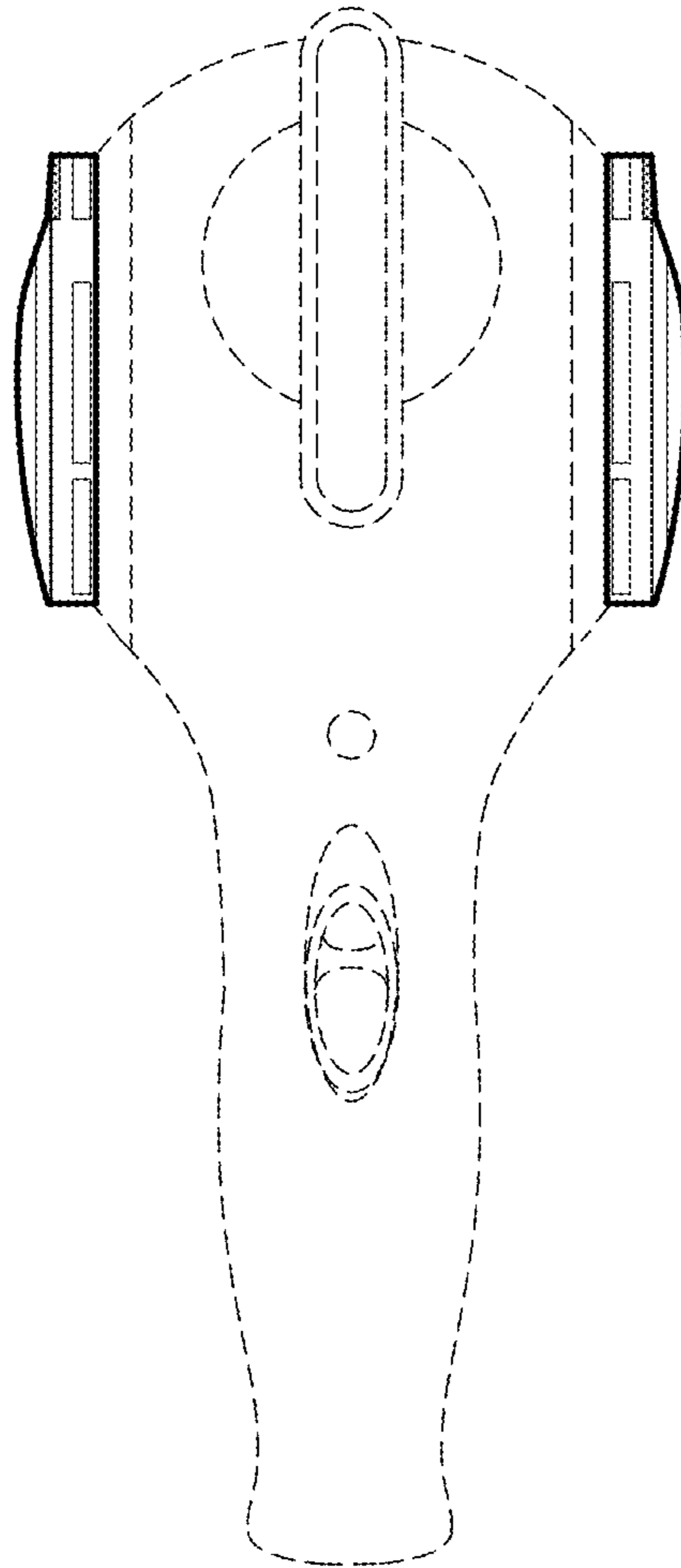


FIG. 9

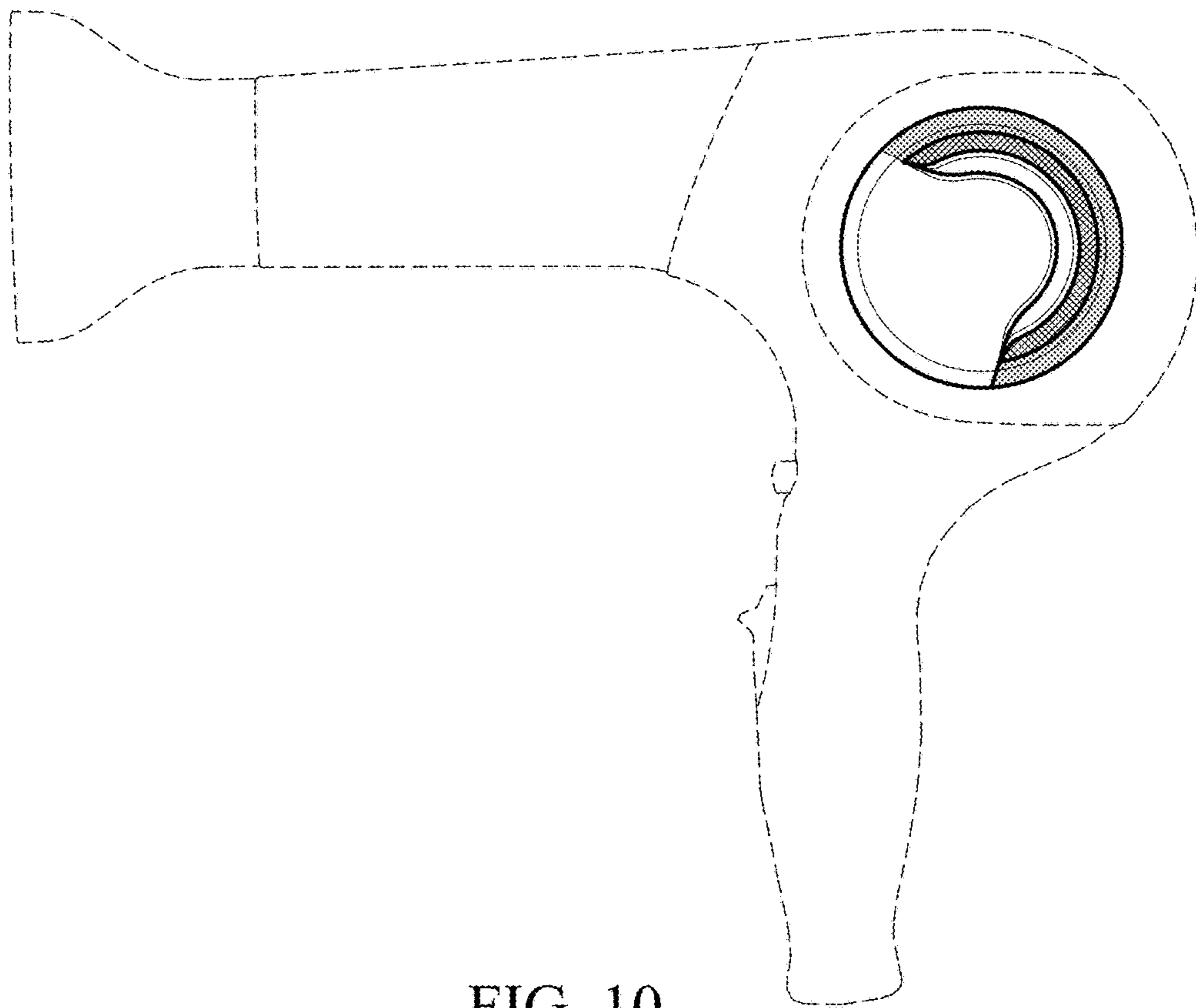


FIG. 10

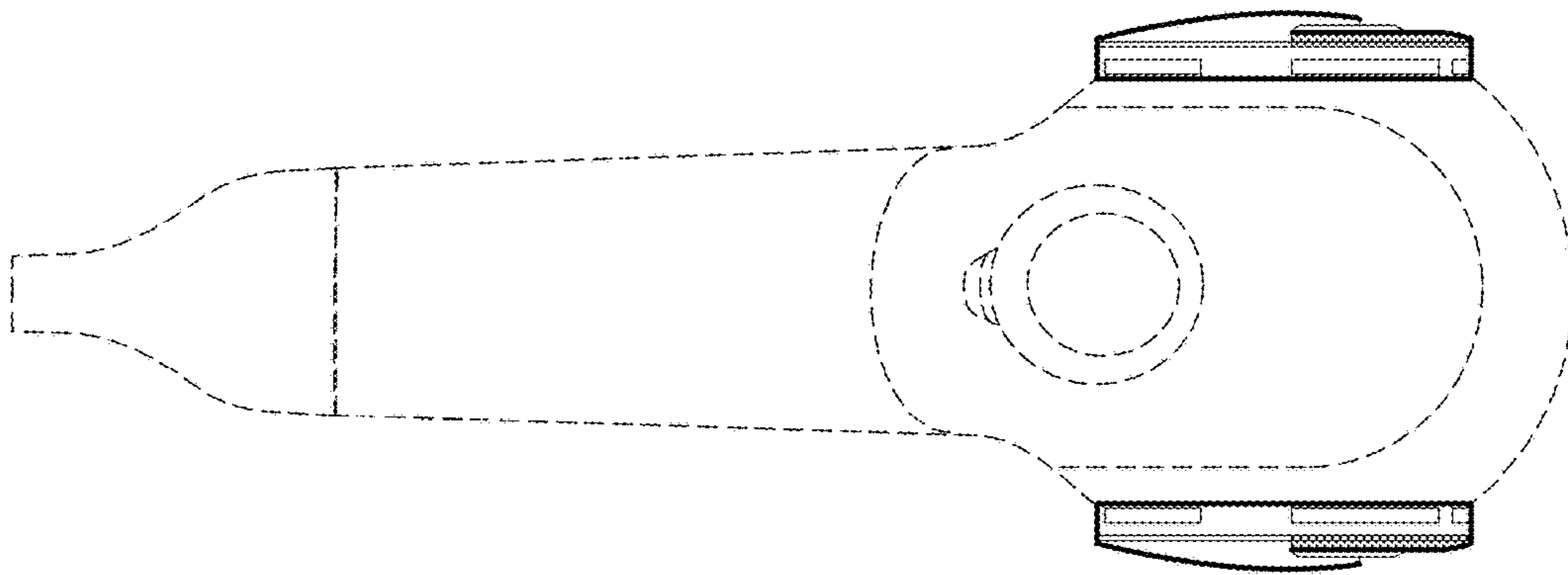


FIG. 11

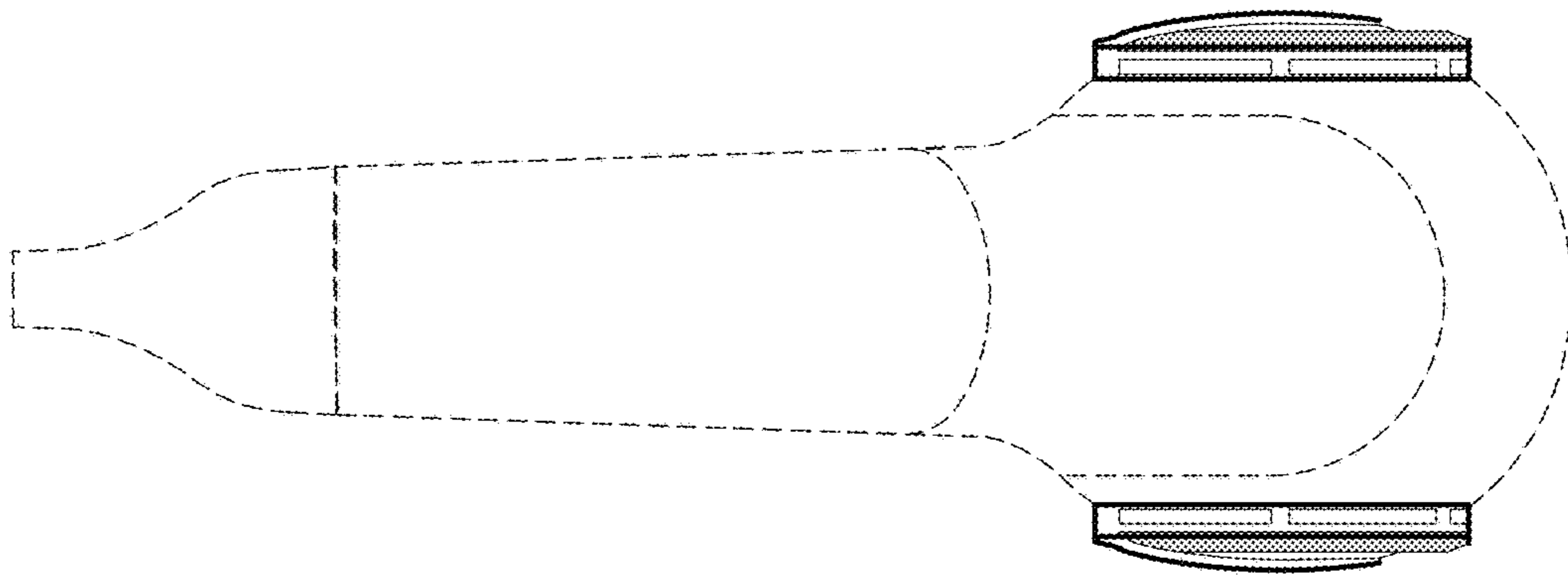


FIG. 12

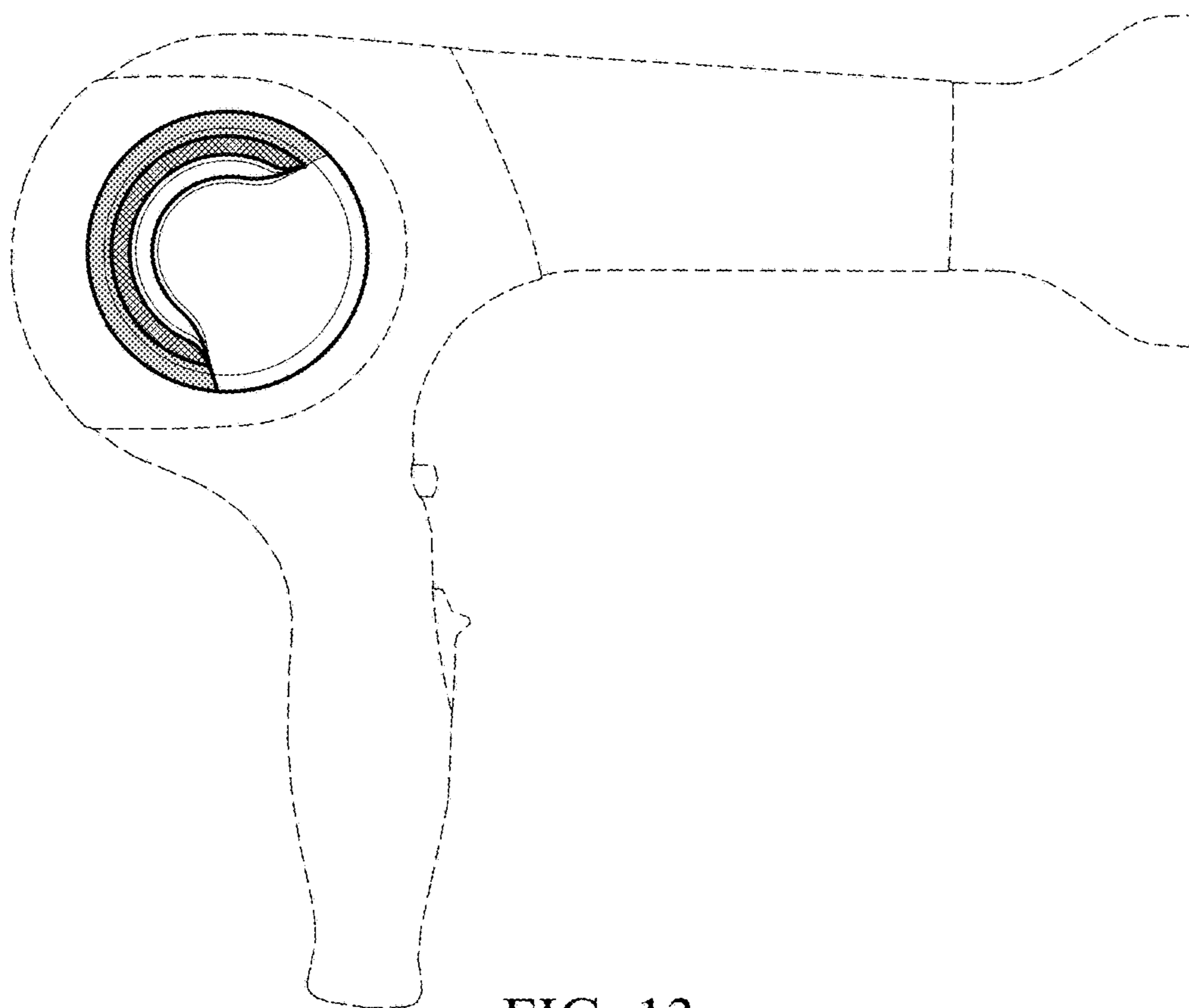


FIG. 13

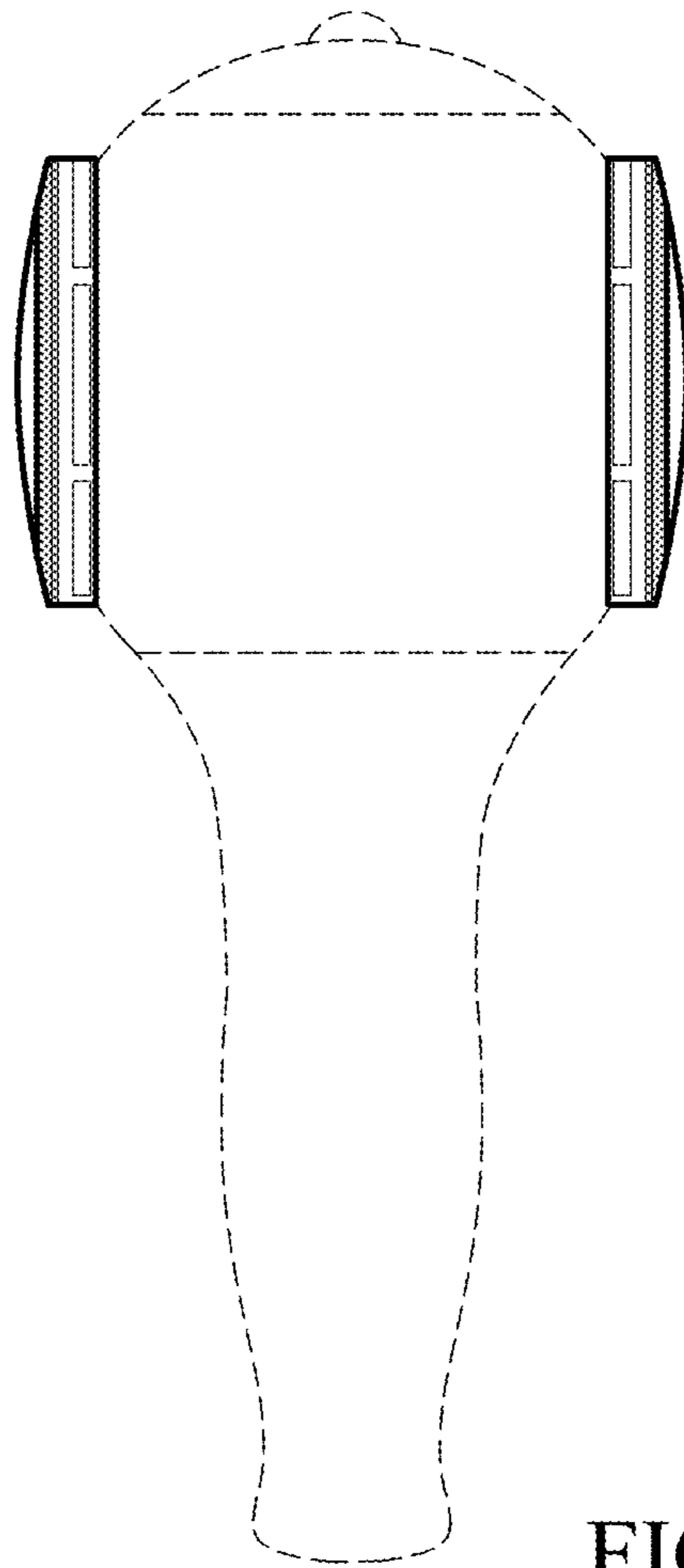


FIG. 14