



US00D832507S

(12) **United States Design Patent** (10) **Patent No.:** **US D832,507 S**
Lorenz et al. (45) **Date of Patent:** **** Oct. 30, 2018**

(54) **EYELINER APPLICATOR**

(71) Applicant: **VampStamp, LLC**, Los Angeles, CA (US)
(72) Inventors: **Veronica B. Lorenz**, Los Angeles, CA (US); **John von Buelow**, Oak Park, CA (US)
(73) Assignee: **VAMPSTAMP, LLC**, Los Angeles, CA (US)

(**) Term: **15 Years**

(21) Appl. No.: **29/623,987**

(22) Filed: **Oct. 28, 2017**

Related U.S. Application Data

(63) Continuation of application No. 29/585,063, filed on Nov. 19, 2016, now Pat. No. Des. 812,296.

(51) **LOC (11) Cl.** **28-02**

(52) **U.S. Cl.**
USPC **D28/7**

(58) **Field of Classification Search**

USPC D28/7, 8, 20-22, 30, 31, 76, 82, 85, 99;
D4/132-135; D24/119, 132; 132/108,
132/202, 208, 317, 320
CPC A45D 34/04; A45D 34/041; A45D 34/042;
A45D 2200/1018; A45D 2200/1009;
A45D 2200/1036; A45D 2200/10; A45D
2200/00; A45D 40/00; A45D 40/262;
A46B 5/0008; A46B 5/002; A46B
5/0054; A46B 5/0075; A46B 5/0079;
A41G 3/0041; A41G 3/0083; A61M
35/00; A61M 35/003

See application file for complete search history.

(56) **References Cited**

U.S. PATENT DOCUMENTS

D448,521 S * 9/2001 Angeletta D28/7
D462,480 S * 9/2002 Jones D28/7

D681,196 S * 4/2013 Henrikson D24/115
D683,071 S * 5/2013 Lorenz D28/7
D707,393 S * 6/2014 Lorenz D28/7
D746,513 S * 12/2015 Monical D28/7
D804,020 S * 11/2017 Hashimoto D24/114
D806,315 S * 12/2017 Hardwick D28/7
D812,296 S * 3/2018 Lorenz D28/7
D819,265 S * 5/2018 Crane D28/7
2006/0269355 A1* 11/2006 Kaufman A61M 35/006
401/207
2009/0241280 A1* 10/2009 Pho A47L 13/256
15/209.1
2017/0156473 A1* 6/2017 Grund A45D 33/36

OTHER PUBLICATIONS

https://thriftandthrill.com/collections/women/products/winged-eyeliner.*

* cited by examiner

Primary Examiner — Susan Bennett Hattan

Assistant Examiner — Rebecca Tsehaye

(74) *Attorney, Agent, or Firm* — Chiesa Shahinian & Giantomasi PC

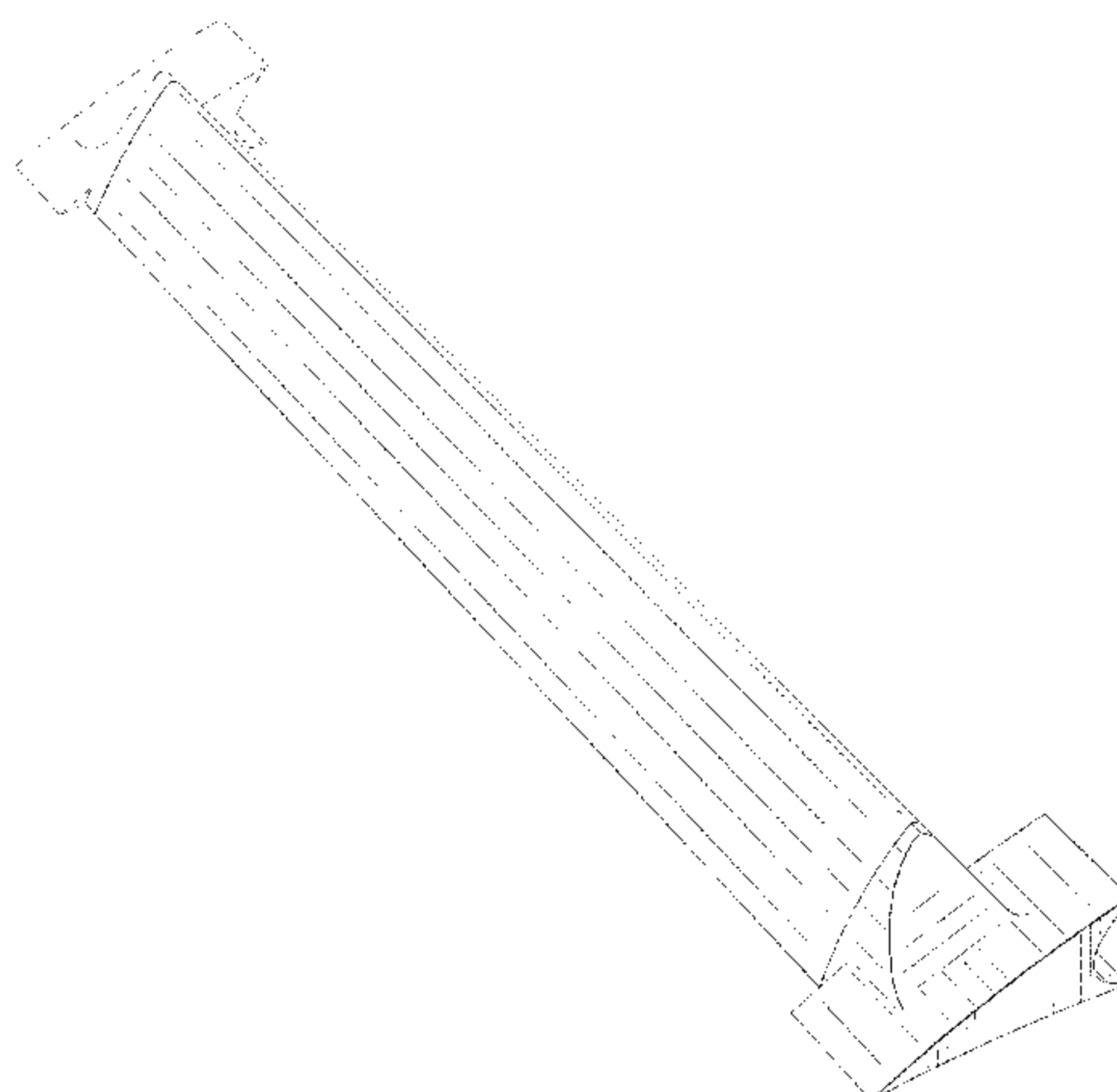
(57) **CLAIM**

The ornamental design for an eyeliner applicator, as shown and described.

DESCRIPTION

FIG. 1 is a Perspective view of our design;
FIG. 2 is a top view of FIG. 1;
FIG. 3 is a front view of our design shown in FIG. 1;
FIG. 4 is a bottom view of FIG. 1;
FIG. 5 is a rear view of FIG. 1;
FIG. 6 is a right side elevational view of FIG. 1; and,
FIG. 7 is a left side elevational view of FIG. 1.
The broken lines showing an end portion of the applicator are for the purpose of illustrating environmental structure and form no part of the claimed design.

1 Claim, 3 Drawing Sheets



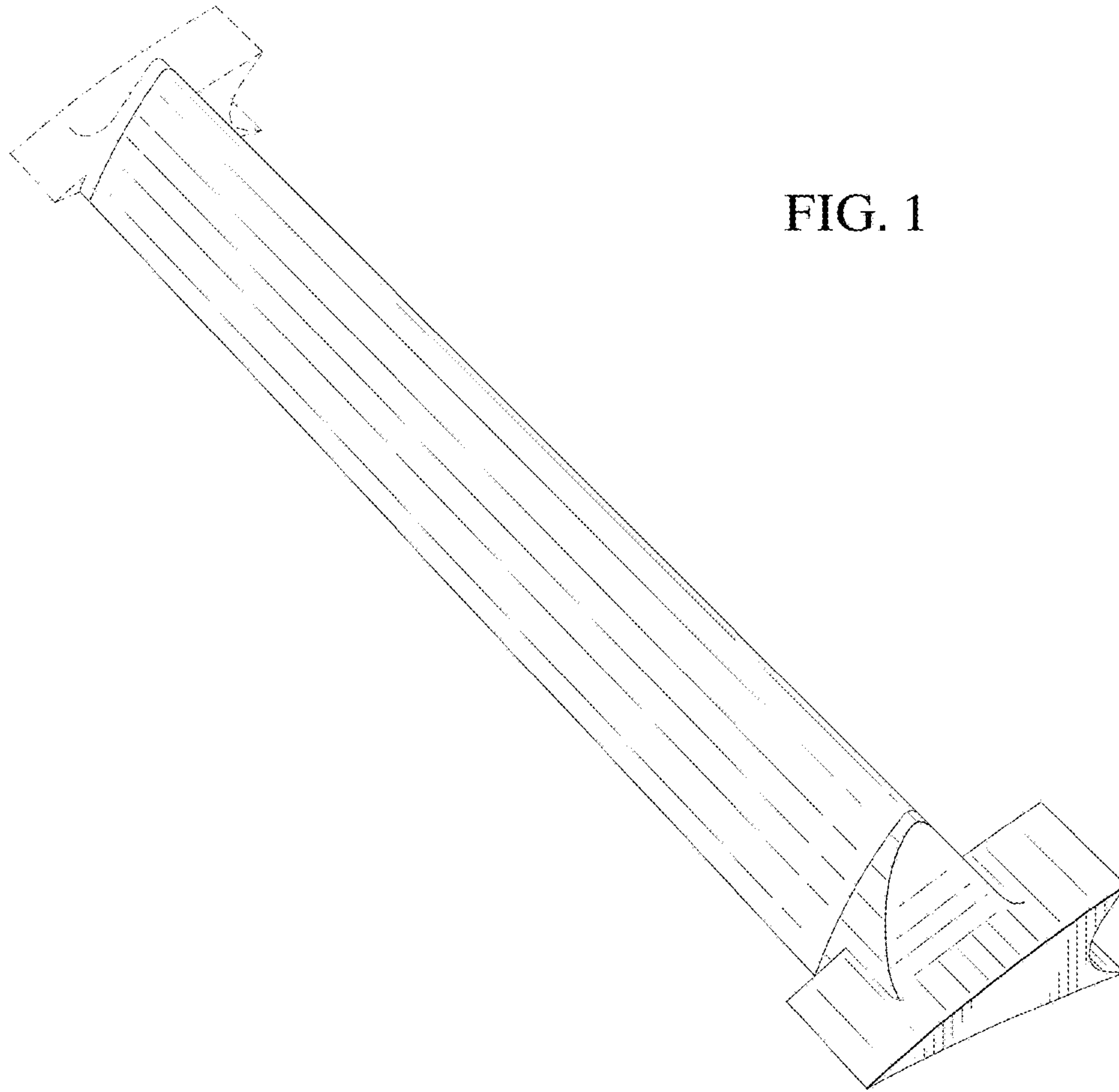


FIG. 1

FIG. 6

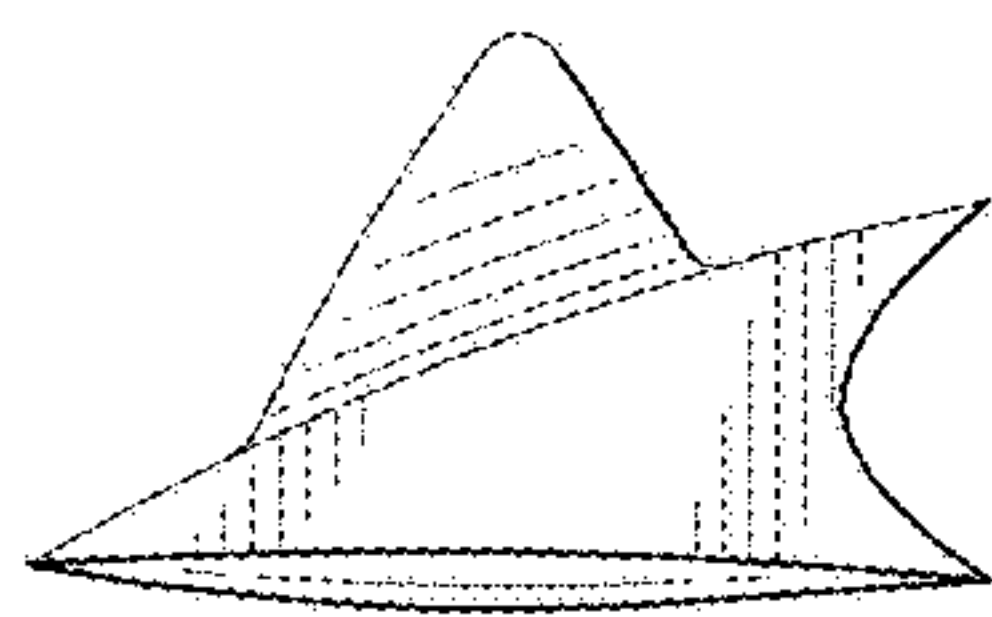


FIG. 7

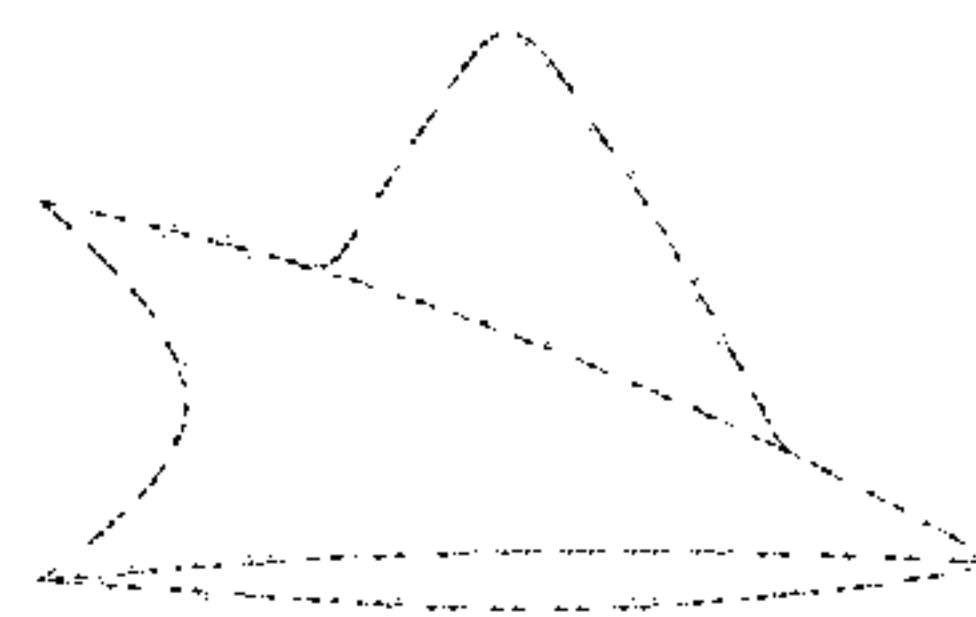


FIG. 2

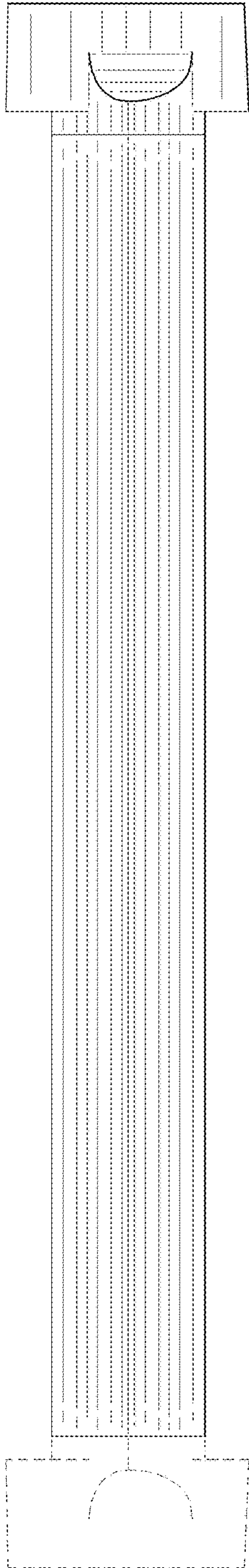


FIG. 3

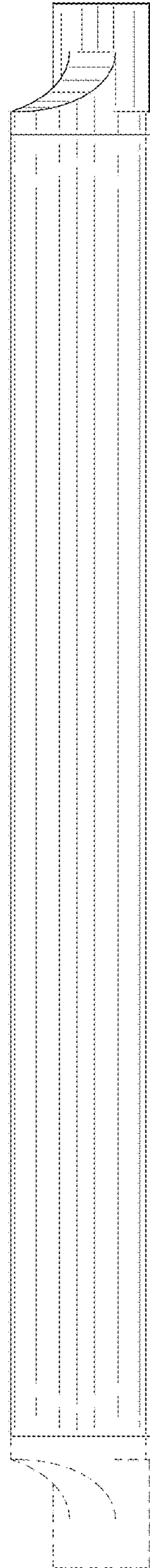


FIG. 4

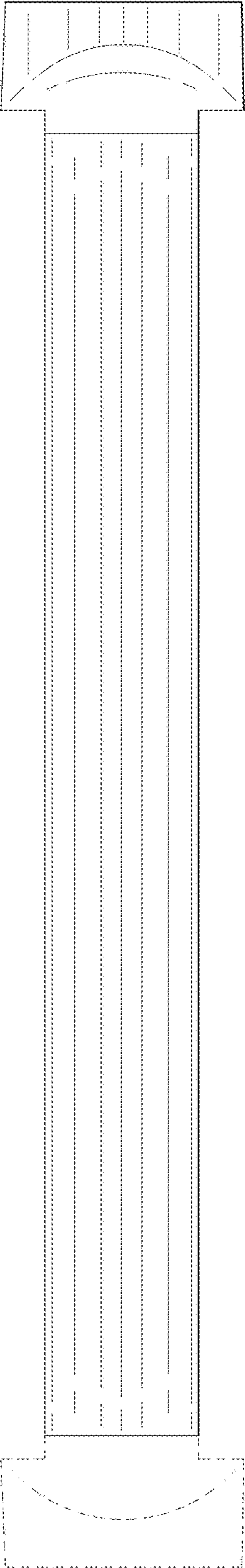


FIG. 5

