



US00D832505S

(12) **United States Design Patent** (10) **Patent No.:** **US D832,505 S**
Bennett et al. (45) **Date of Patent:** **** Oct. 30, 2018**

(54) **CARTRIDGE FOR AN ELECTRONIC CIGARETTE CASE**

(71) Applicant: **BEYOND TWENTY LIMITED**,
London (GB)

(72) Inventors: **Adrian Bennett**, London (GB); **Ian Murison**, London (GB)

(73) Assignee: **BEYOND TWENTY LTD.**, London (GB)

(**) Term: **15 Years**

(21) Appl. No.: **29/568,073**

(22) Filed: **Jun. 15, 2016**

(30) **Foreign Application Priority Data**

Dec. 15, 2015 (EM) 002911610

(51) **LOC (11) Cl.** **27-06**

(52) **U.S. Cl.**
USPC **D27/193**

(58) **Field of Classification Search**

USPC D27/100, 101, 162, 163-169, 172, 175,
D27/186, 189, 193, 194, 195, 136, 137,
D27/138, 139, 141, 144; D10/40, 49, 50;
D14/191, 257; D23/360, 363, 366
CPC .. A24F 5/00; A24F 47/008; A24F 7/02; A24F
47/002; A24F 15/12; A24F 15/18
See application file for complete search history.

(56) **References Cited**

U.S. PATENT DOCUMENTS

D368,552 S * 4/1996 Adams D27/194
D424,236 S * 5/2000 Reed D27/163
D433,532 S * 11/2000 Higgins D27/186
D649,708 S * 11/2011 Oneil D27/163
D730,572 S * 5/2015 Leidel D27/163
D737,509 S * 8/2015 Now D27/194

D743,099 S * 11/2015 Oglesby D27/101
D748,325 S * 1/2016 Leidel D27/163
D751,756 S * 3/2016 Hearn D27/189
D752,286 S * 3/2016 Doster D27/189
D753,336 S * 4/2016 Chen D27/101
D758,004 S * 5/2016 Freshwater D27/163
D769,520 S * 10/2016 Hua D27/167
D770,678 S * 11/2016 Shin D27/163
D770,680 S * 11/2016 Bennett D27/189
D771,867 S * 11/2016 Leidel D27/163
D772,477 S * 11/2016 Shin D27/163
D772,480 S * 11/2016 Hua D27/189
D773,114 S * 11/2016 Leidel D27/163

(Continued)

Primary Examiner — Brandon M Rosati

Assistant Examiner — Marissa J Cash

(74) *Attorney, Agent, or Firm* — Saul Ewing Arnstein & Lehr LLP

(57) **CLAIM**

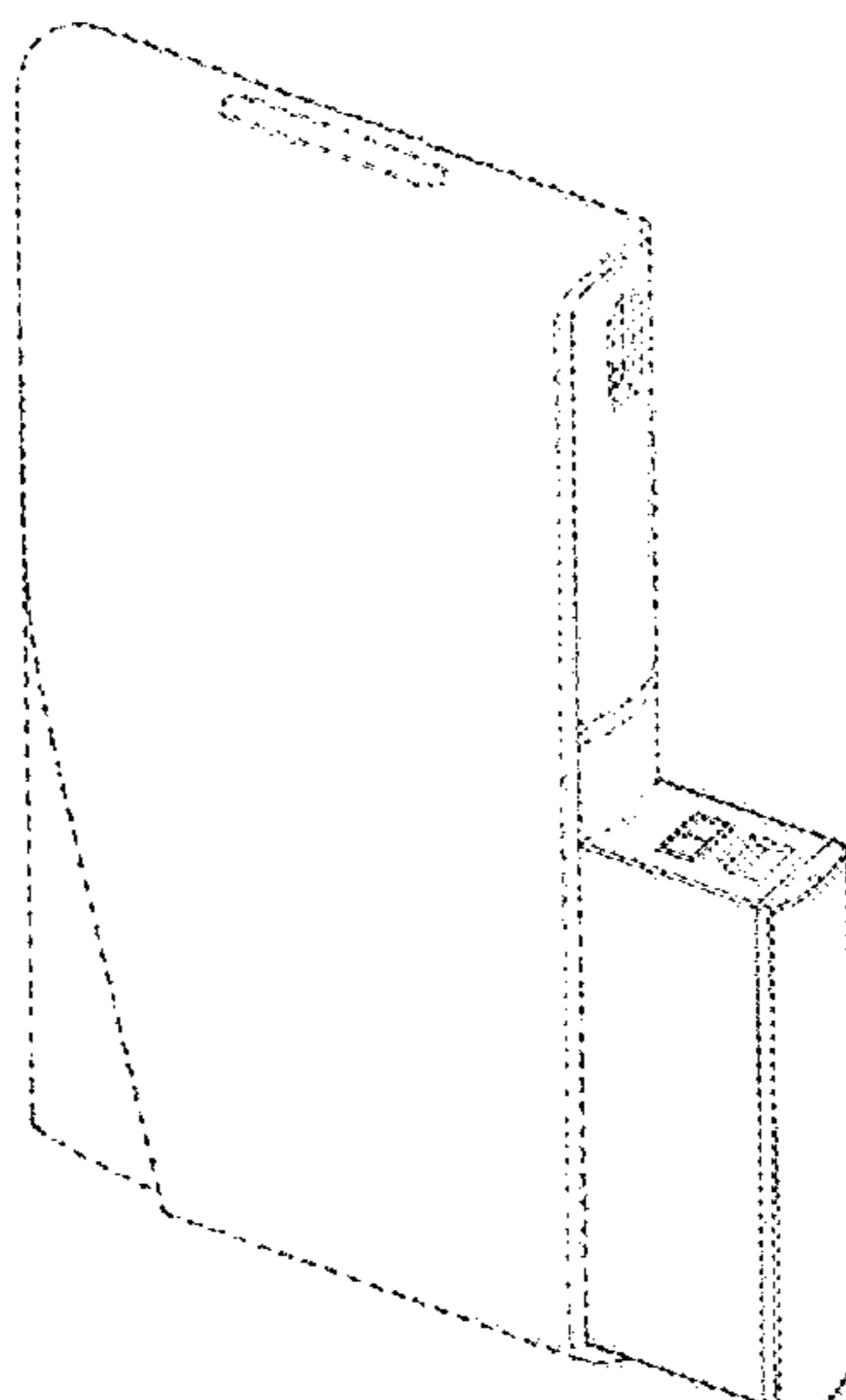
The ornamental design for a cartridge for an electronic cigarette case, as shown and described.

DESCRIPTION

FIG. 1 is a back right side perspective view of the cartridge for an electronic cigarette case;
FIG. 2 is a back left perspective view thereof;
FIG. 3 is a front view thereof;
FIG. 4 is a left view thereof;
FIG. 5 is a right view thereof;
FIG. 6 is a top view thereof;
FIG. 7 is a bottom view thereof;
FIG. 8 is a back view thereof; and,
FIG. 9 is a back right side perspective view of the cartridge for an electronic cigarette case shown in a partly inserted position for clarity of disclosure.

The broken lines in FIG. 9 depict an electronic cigarette case that forms no part of the claimed design and also the partly inserted part of the cartridge for an electronic cigarette case, which is no longer visible.

1 Claim, 9 Drawing Sheets



(56)

References Cited

U.S. PATENT DOCUMENTS

D773,116	S *	11/2016	Liu	D27/167
D775,414	S *	12/2016	Ampolini	D13/108
D775,762	S *	1/2017	Chen	D27/101
D776,340	S *	1/2017	Seibel	D27/189
D779,115	S *	2/2017	Stoll	D27/153
D779,726	S *	2/2017	Bennett	D27/189
D780,373	S *	2/2017	Bennett	D27/186
D783,895	S *	4/2017	Chen	D27/163
D785,862	S *	5/2017	Wu	D27/167
2008/0121244	A1 *	5/2008	Bryman	A24F 47/004
				131/328
2015/0053217	A1 *	2/2015	Steingraber	A24F 47/008
				131/329
2015/0114410	A1 *	4/2015	Doster	A24F 47/008
				131/329
2017/0042228	A1 *	2/2017	Liu	A24F 47/008
2017/0079327	A1 *	3/2017	Wu	A24F 47/008
2017/0099878	A1 *	4/2017	Murison	A24F 47/008
2017/0119044	A1 *	5/2017	Oligschlaeger	A24F 15/00

* cited by examiner

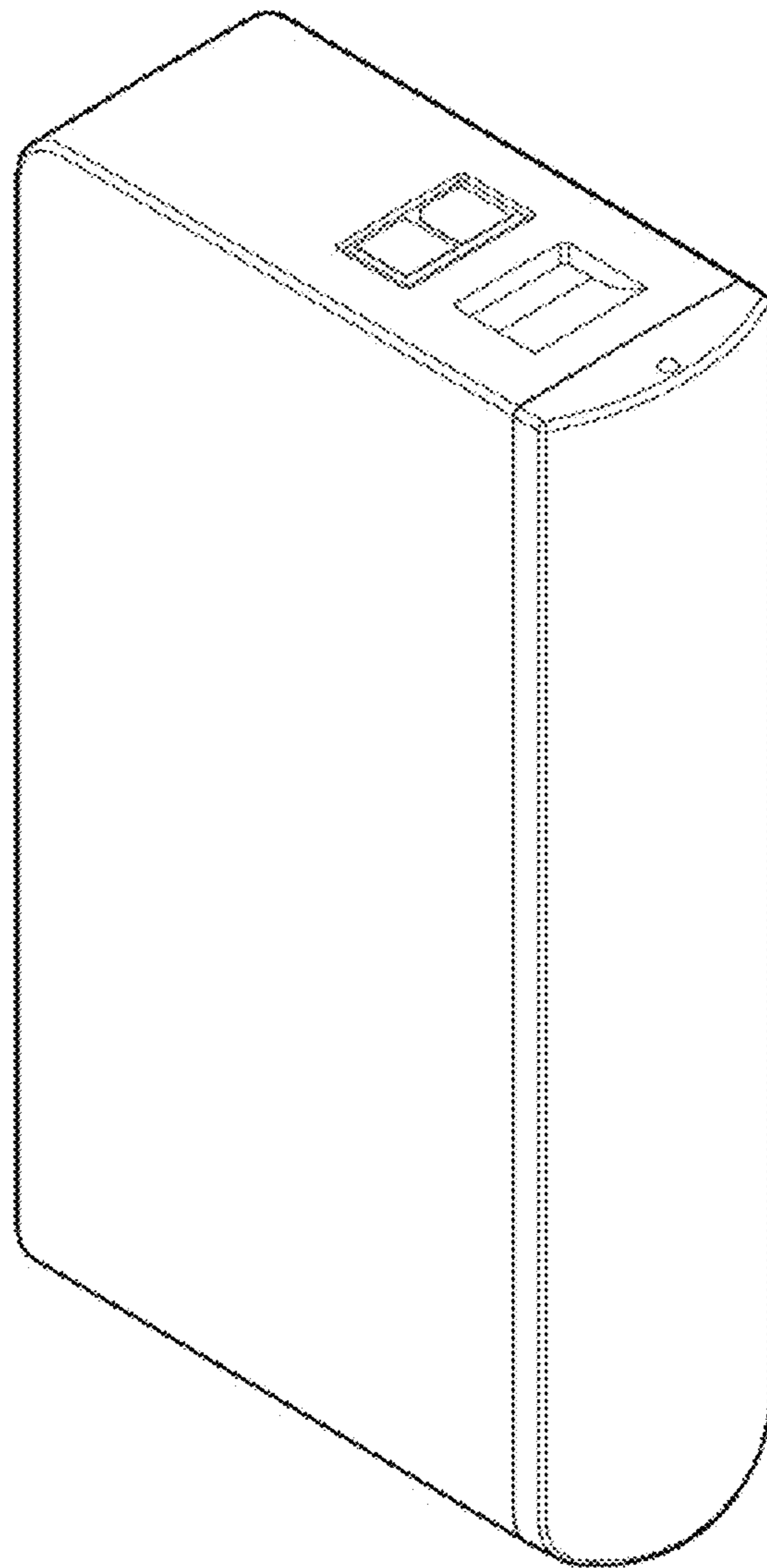


FIG. 1

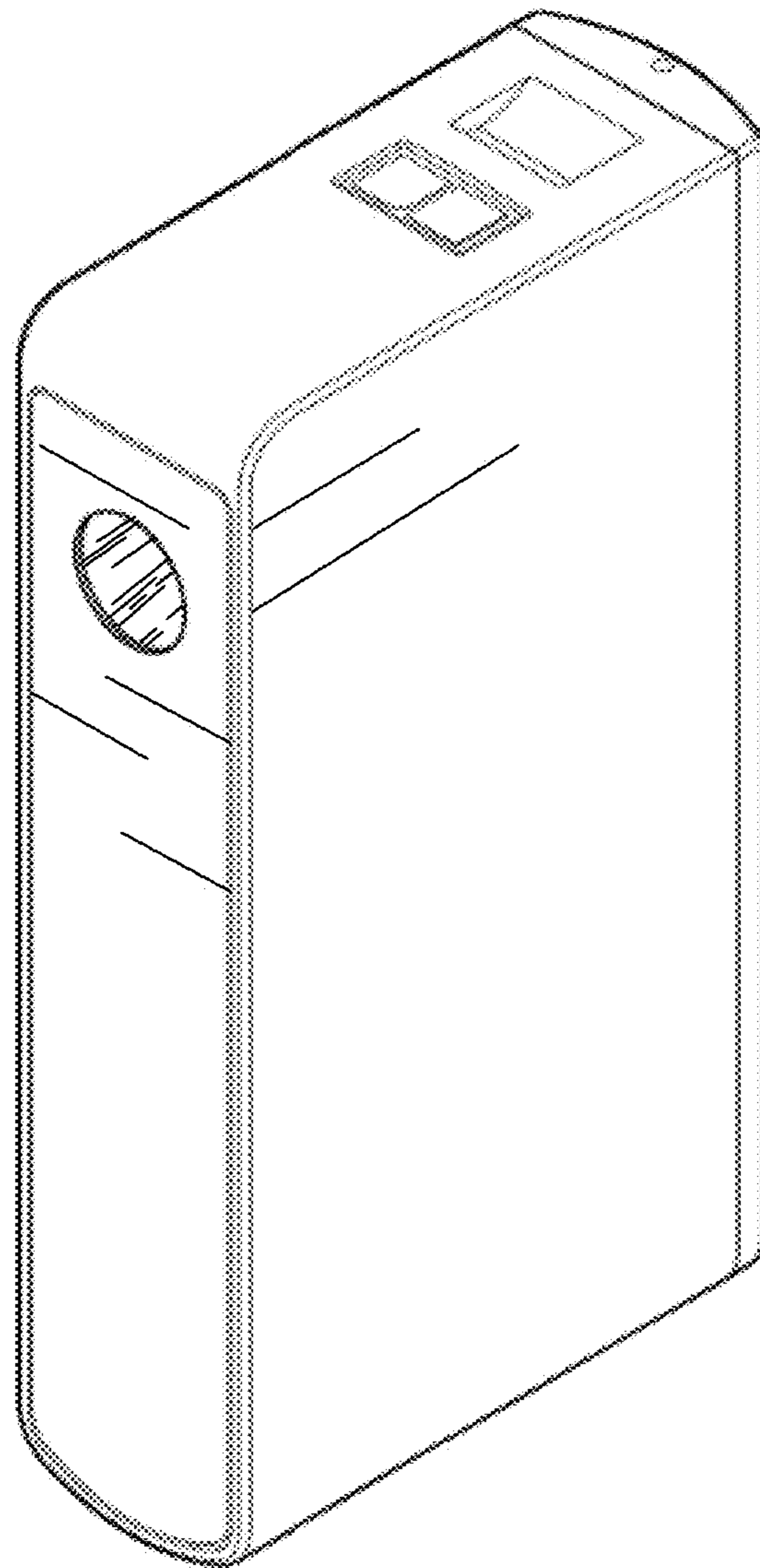


FIG. 2

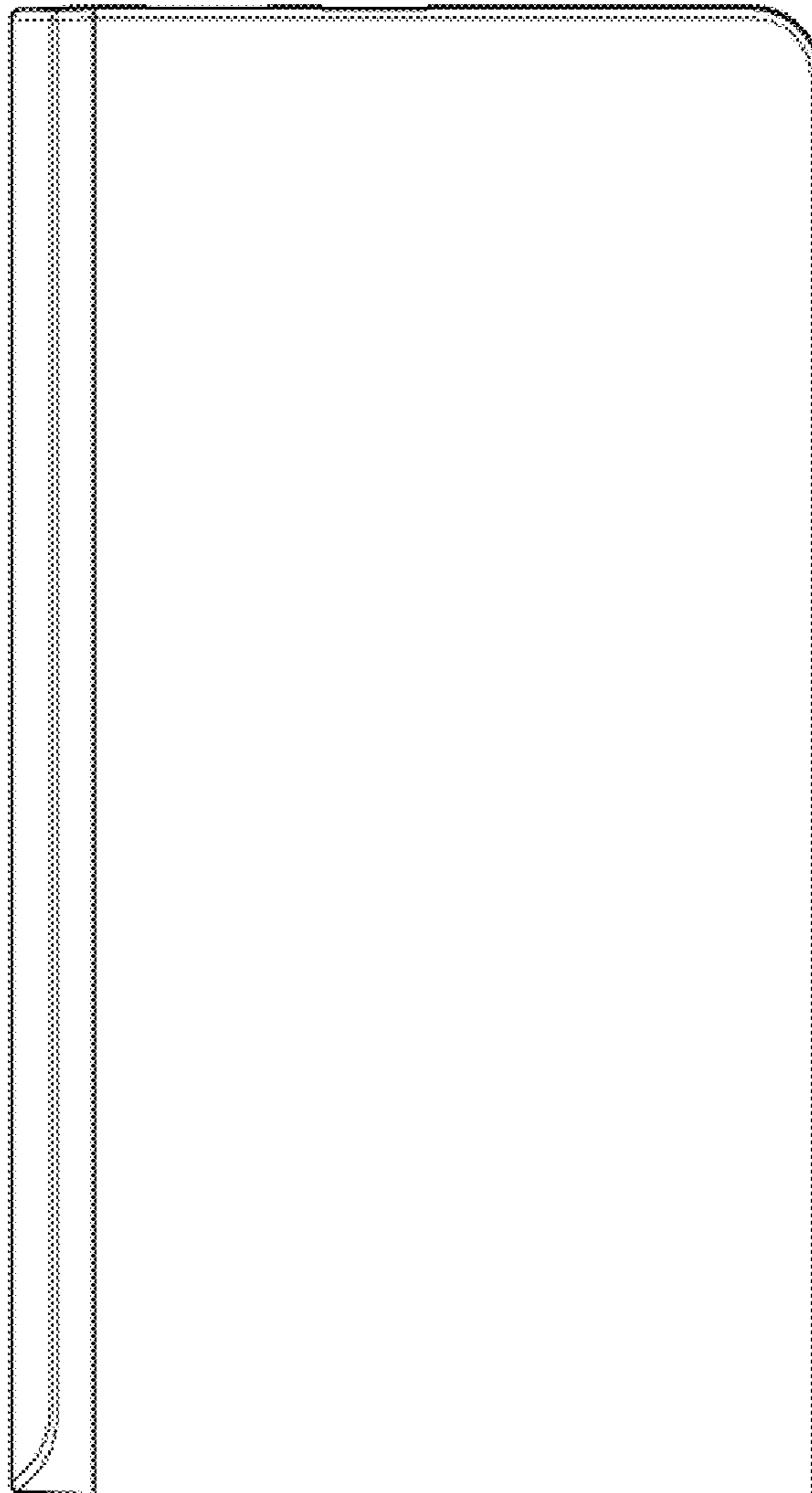


FIG. 3

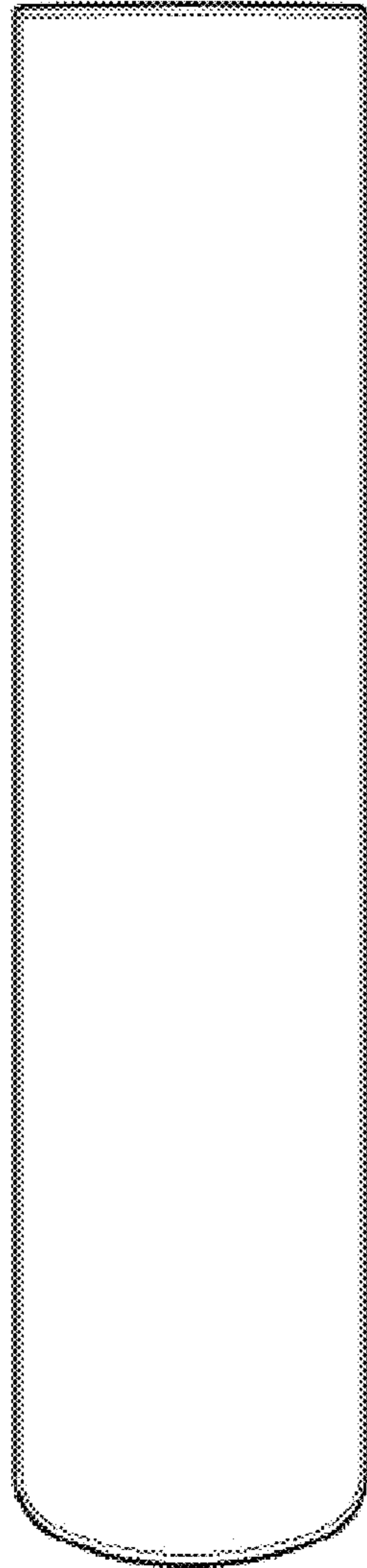


FIG. 4

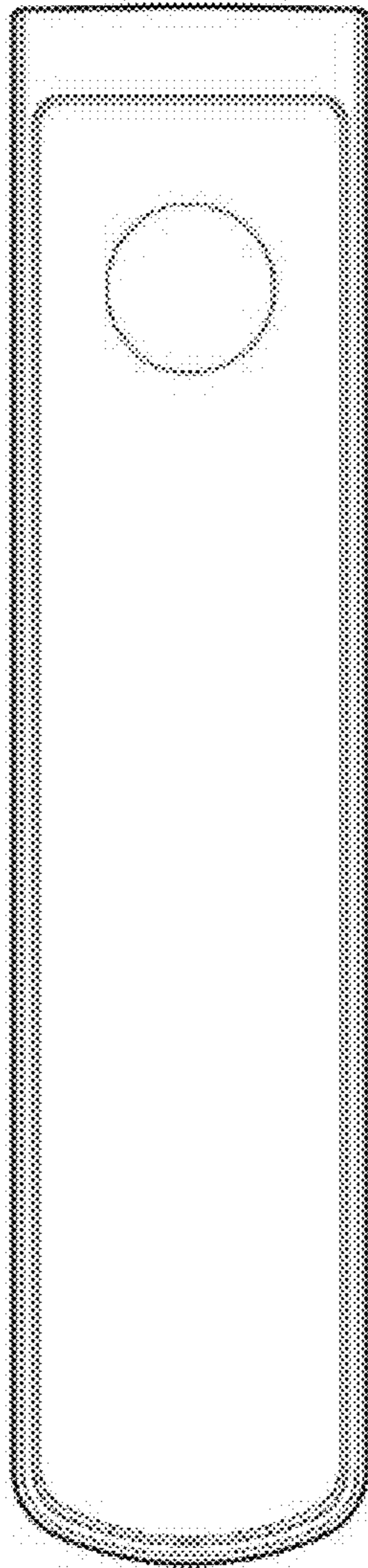


FIG. 5

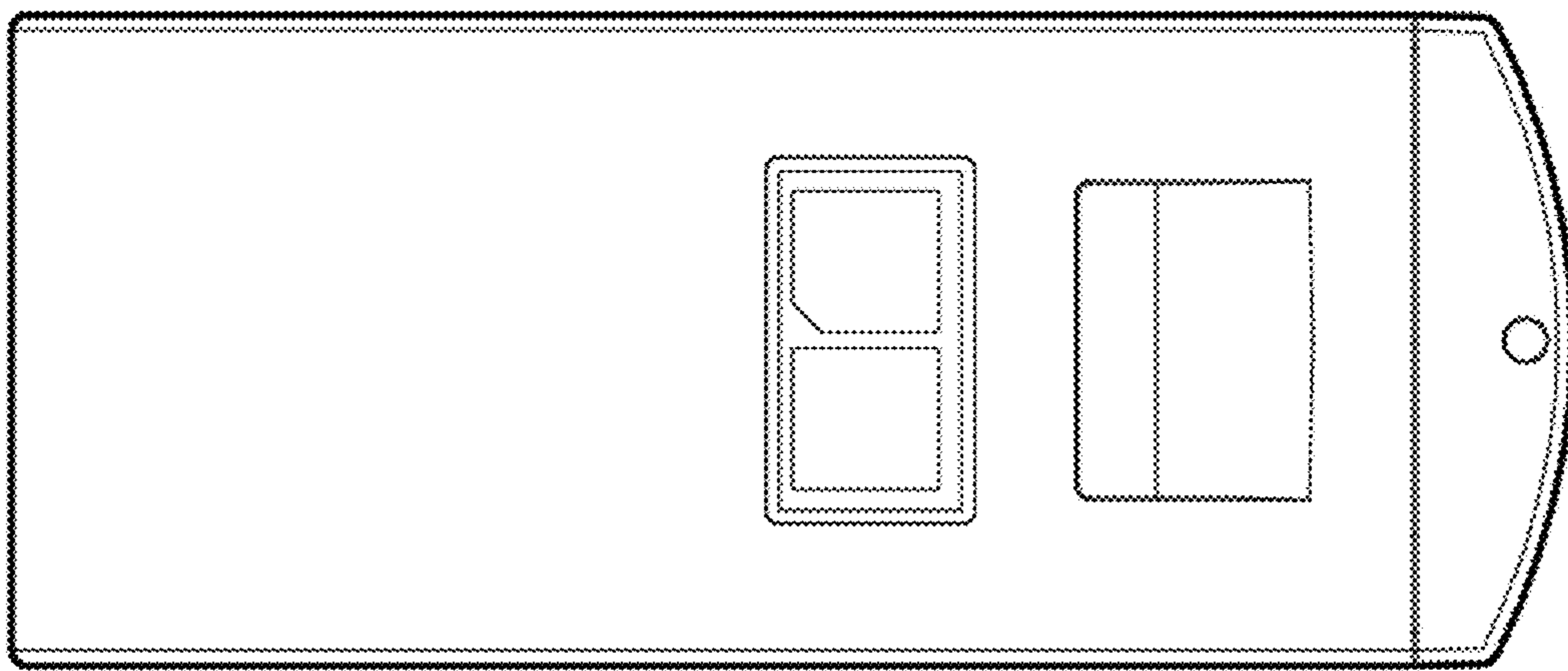


FIG. 6

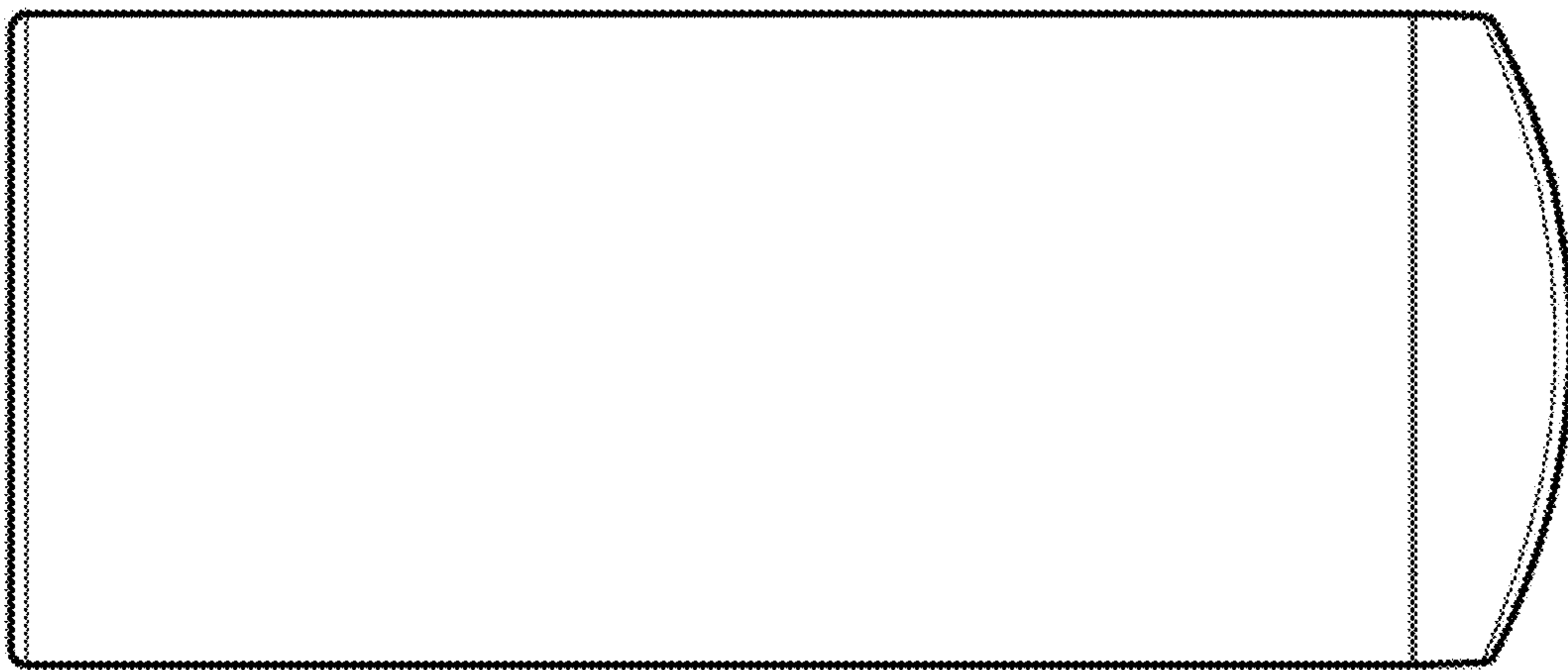


FIG. 7

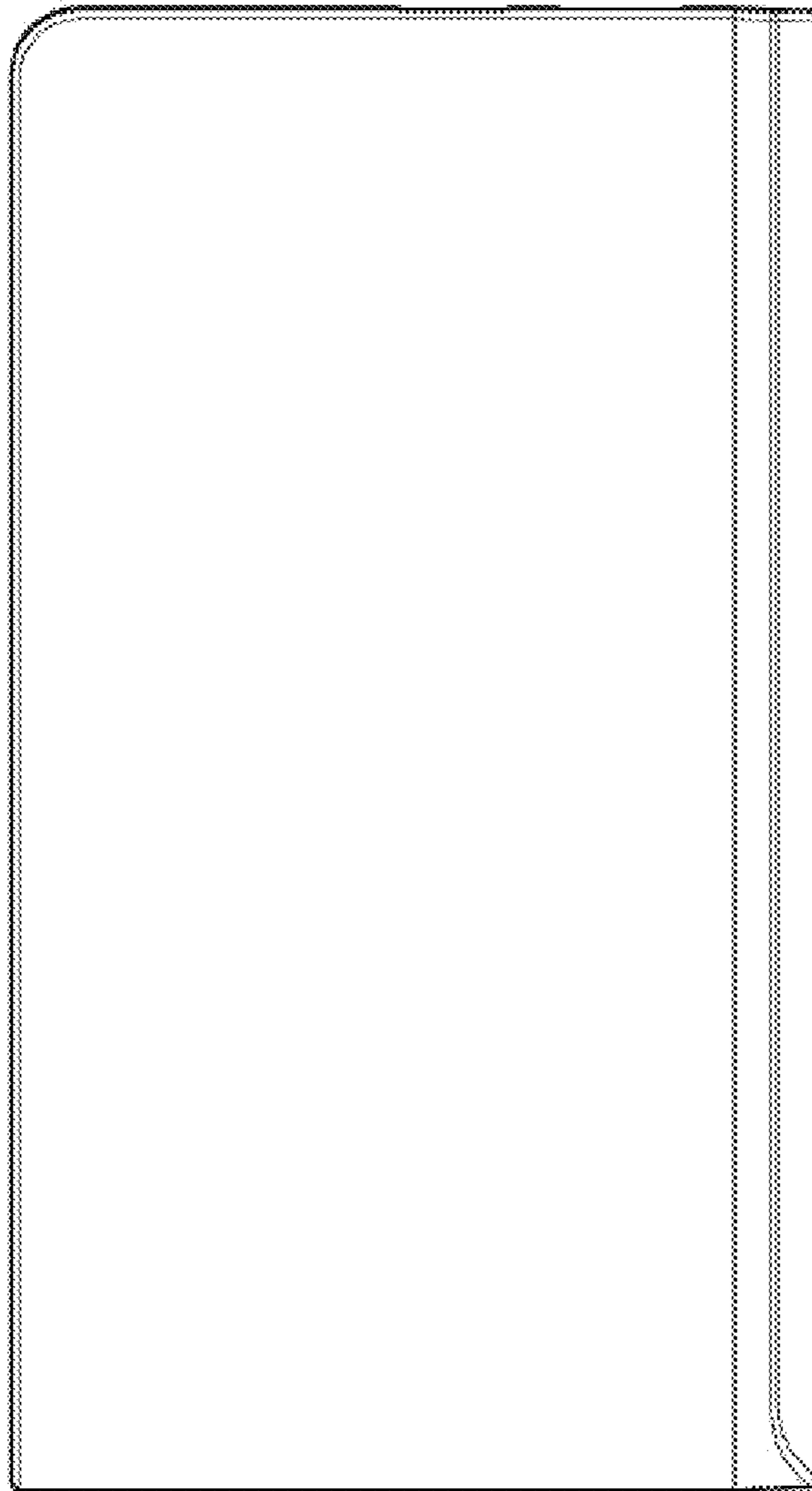


FIG. 8

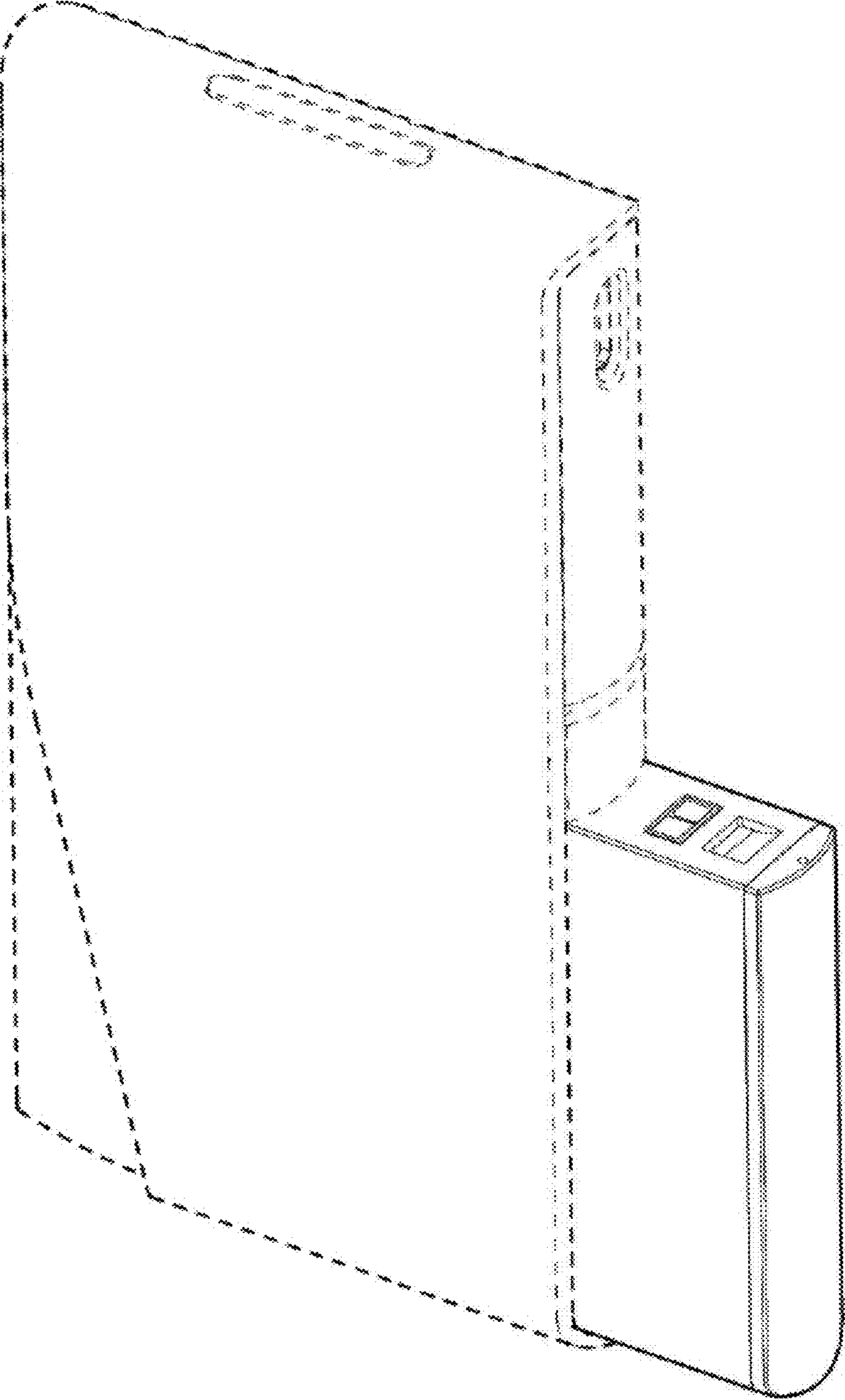


FIG. 9