



US00D832502S

(12) **United States Design Patent** (10) **Patent No.:** **US D832,502 S**  
**Durand** (45) **Date of Patent:** **\*\* Oct. 30, 2018**

(54) **HOOKAH**  
(71) Applicant: **J Well France**, Paris (FR)  
(72) Inventor: **Cyrille Durand**, Boulogne (FR)  
(73) Assignee: **J WELL FRANCE**, Paris (FR)  
(\*\*) Term: **15 Years**  
(21) Appl. No.: **29/637,926**  
(22) Filed: **Feb. 22, 2018**

7,827,995 B2 \* 11/2010 Chaoui ..... A24F 1/30  
131/173  
D675,777 S 2/2013 Wu  
D684,312 S 6/2013 Badawi  
D728,854 S 5/2015 Shlyakhter  
D742,587 S \* 11/2015 Masri ..... D27/162  
D745,212 S 12/2015 Bahbah et al.  
D748,854 S 2/2016 Afridi  
D754,392 S \* 4/2016 Helou ..... D27/162  
D754,914 S \* 4/2016 Helou ..... D27/162  
D754,915 S \* 4/2016 Helou ..... D27/162  
D755,439 S \* 5/2016 Helou ..... D27/162

(Continued)

(30) **Foreign Application Priority Data**  
Nov. 23, 2017 (EM) ..... 004518462-0001  
(51) **LOC (11) Cl.** ..... **27-02**  
(52) **U.S. Cl.**  
USPC ..... **D27/162**  
(58) **Field of Classification Search**  
USPC ..... D27/100, 103, 162-164, 167, 194;  
D11/154, 157; D23/360; 131/173, 329,  
131/330  
CPC ..... A24F 1/30; A24F 1/02; A24F 1/00; A24F  
47/008; A24F 47/002; A61M 11/00  
See application file for complete search history.

(56) **References Cited**  
**U.S. PATENT DOCUMENTS**  
D424,236 S 5/2000 Reed  
D539,978 S \* 4/2007 Kassir ..... D27/162  
D547,489 S 7/2007 Kassir  
D547,902 S 7/2007 Kassir  
D548,398 S 8/2007 Chaoui  
D554,797 S 11/2007 Kassir  
D558,370 S 12/2007 Mohammed  
D558,919 S 1/2008 Kassir  
D561,338 S 2/2008 Blanco  
D561,388 S \* 2/2008 Kassir ..... D27/162  
D584,853 S 1/2009 Kassir

**OTHER PUBLICATIONS**

“BO One Vaping Kit”, Electric Tobacconist. dated 2018. found online [Feb. 26, 2018] <https://www.electrictobacconist.com/bo-vape-starter-kit-p4245>, 3 pages.

(Continued)

*Primary Examiner* — Susan Bennett Hattan  
*Assistant Examiner* — Rebecca Tsehaye  
(74) *Attorney, Agent, or Firm* — Colby Nipper PLLC

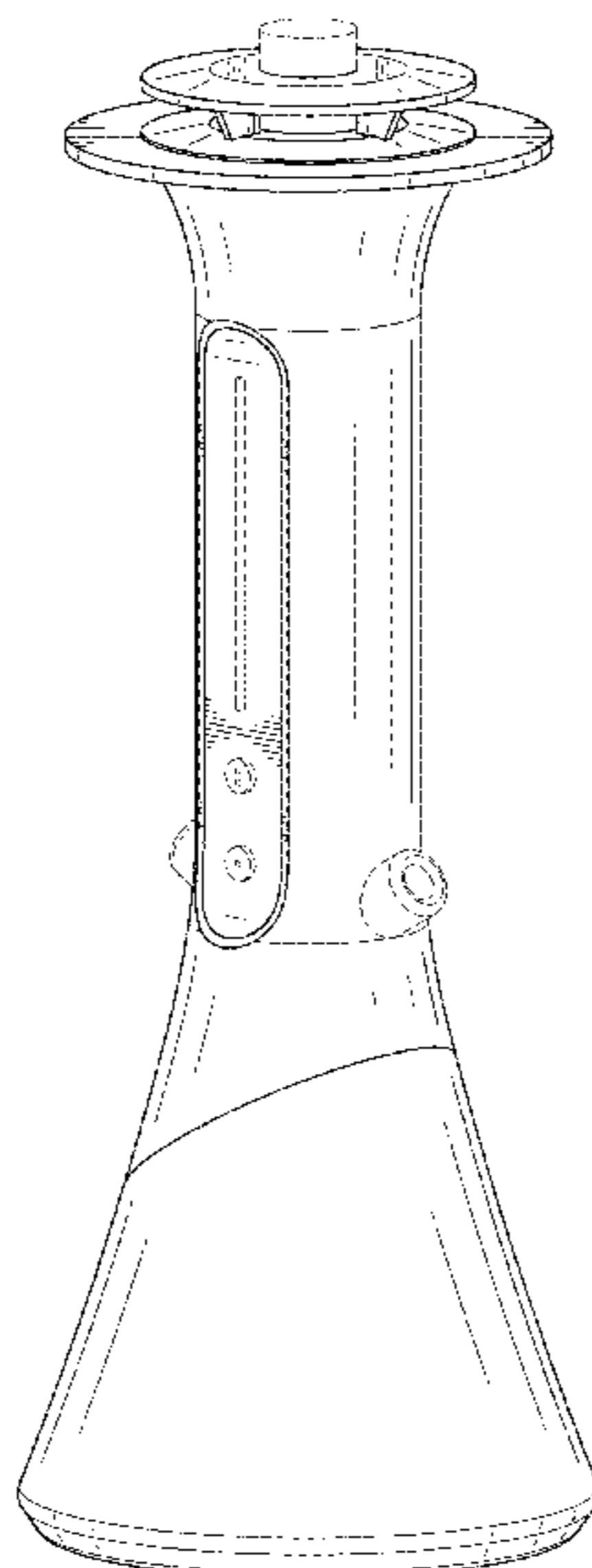
(57) **CLAIM**

I claim the ornamental design for a hookah, as shown and described.

**DESCRIPTION**

FIG. 1 is a front-side perspective view of a hookah showing my design;  
FIG. 2 is a front elevation view thereof;  
FIG. 3 is a rear elevation view thereof;  
FIG. 4 is a right side elevation view thereof;  
FIG. 5 is a left side elevation view thereof;  
FIG. 6 is a top plan view thereof; and,  
FIG. 7 is a bottom plan view thereof.  
The broken lines shown represent unclaimed subject matter and form no part of the claimed design.

**1 Claim, 6 Drawing Sheets**



(56)

References Cited

OTHER PUBLICATIONS

U.S. PATENT DOCUMENTS

D757,356 S 5/2016 Liu  
 D757,999 S \* 5/2016 Elhalwani ..... D27/162  
 D770,678 S 11/2016 Shin  
 D771,867 S 11/2016 Leidel et al.  
 D773,113 S \* 11/2016 Elhalwani ..... D27/162  
 D776,338 S 1/2017 Lomeli  
 D776,869 S 1/2017 Heidl  
 D779,719 S 2/2017 Qiu  
 D784,611 S 4/2017 Eng et al.  
 D785,862 S 5/2017 Wu  
 D786,497 S 5/2017 Sudlow et al.  
 D790,766 S 6/2017 Li  
 D792,643 S 7/2017 Wong et al.  
 D792,645 S 7/2017 Fornarelli  
 D799,110 S 10/2017 Qiu  
 D799,112 S 10/2017 Qiu  
 D799,113 S 10/2017 Qiu  
 D799,744 S 10/2017 Qiu  
 D799,745 S 10/2017 Qiu  
 D802,839 S 11/2017 Scott  
 D805,685 S 12/2017 Lee  
 D808,071 S 1/2018 Folkerts et al.  
 2009/0095310 A1 \* 4/2009 Chaoui ..... A24F 1/30  
 131/173  
 2012/0180803 A1 \* 7/2012 Beloni ..... A24F 1/30  
 131/173  
 2015/0034104 A1 2/2015 Zhou  
 2016/0345626 A1 12/2016 Wong et al.

“BO One Vaping Kit by Electric Tobacconist”, Found online [Feb. 26, 2018] <https://www.electrictobacconist.com/bo-vape-starter-kit-p4245>, 2018, 6 pages.  
 “CYNC Standard Battery”, Electric Tobacconist. dated 2018. found online [Feb. 26, 2018] <https://www.electrictobacconist.com/cync-standard-battery-p1307>, 4 pages.  
 “CYNC Standard Battery by Electric Tobacconist”, Found online [Feb. 26, 2018] <https://www.electrictobacconist.com/cync-standard-battery-p1307>, 2018, 4 pages.  
 “JUUL Battery by Electric Tobacconist”, Found online [Feb. 26, 2018] <https://www.electrictobacconist.com/juul-battery-p4452>, 2018, 6 pages.  
 “My Von Erl Vaporizer Kit”, Electric Tobacconist. dated 2018. found online [Feb. 26, 2018] <https://www.electrictobacconist.com/my-von-erl-vaporizer-kit-p1055>, 6 pages.  
 “Non-Final Office Action”, U.S. Appl. No. 35/503,545, dated Mar. 7, 2018, 5 pages.  
 “Non-Final Office Action”, U.S. Appl. No. 35/503,545, dated May 1, 2018, 6 pages.  
 “Notice of Allowance”, U.S. Appl. No. 29/629,337, dated Mar. 29, 2018, 6 pages.  
 “Restriction Requirement”, U.S. Appl. No. 29/623,914, dated Mar. 2, 2018, 4 pages.

\* cited by examiner

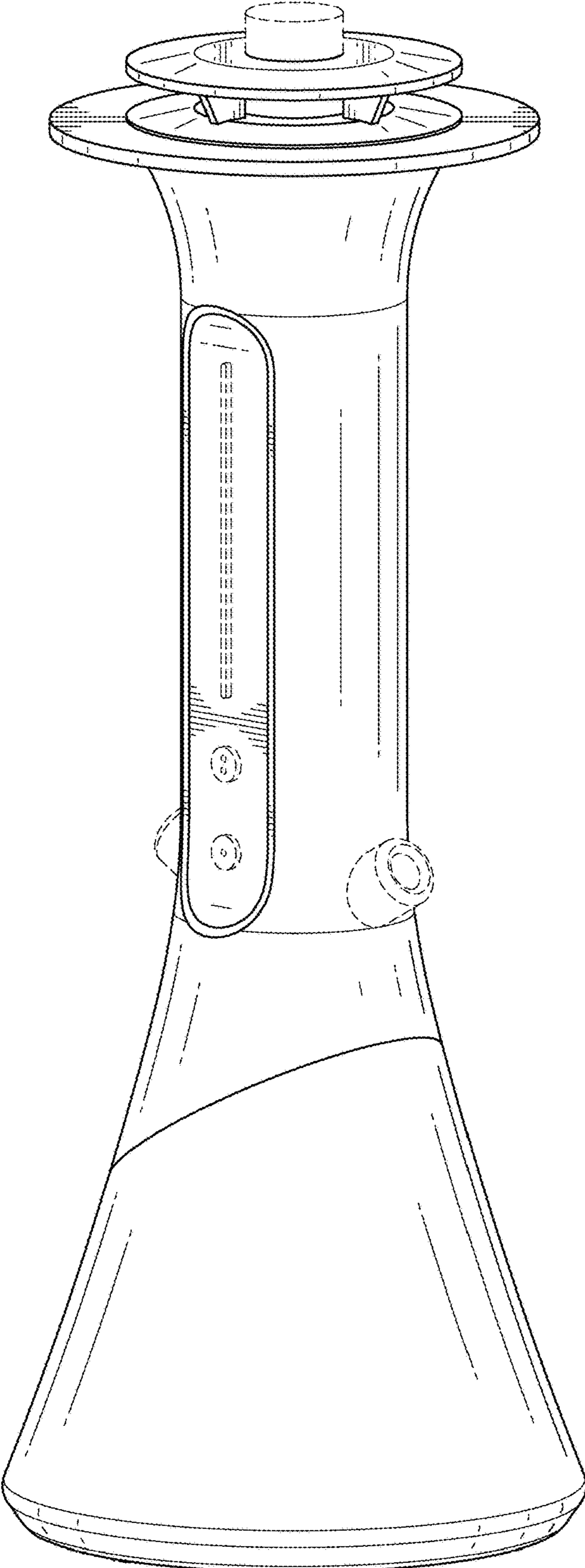


FIG. 1

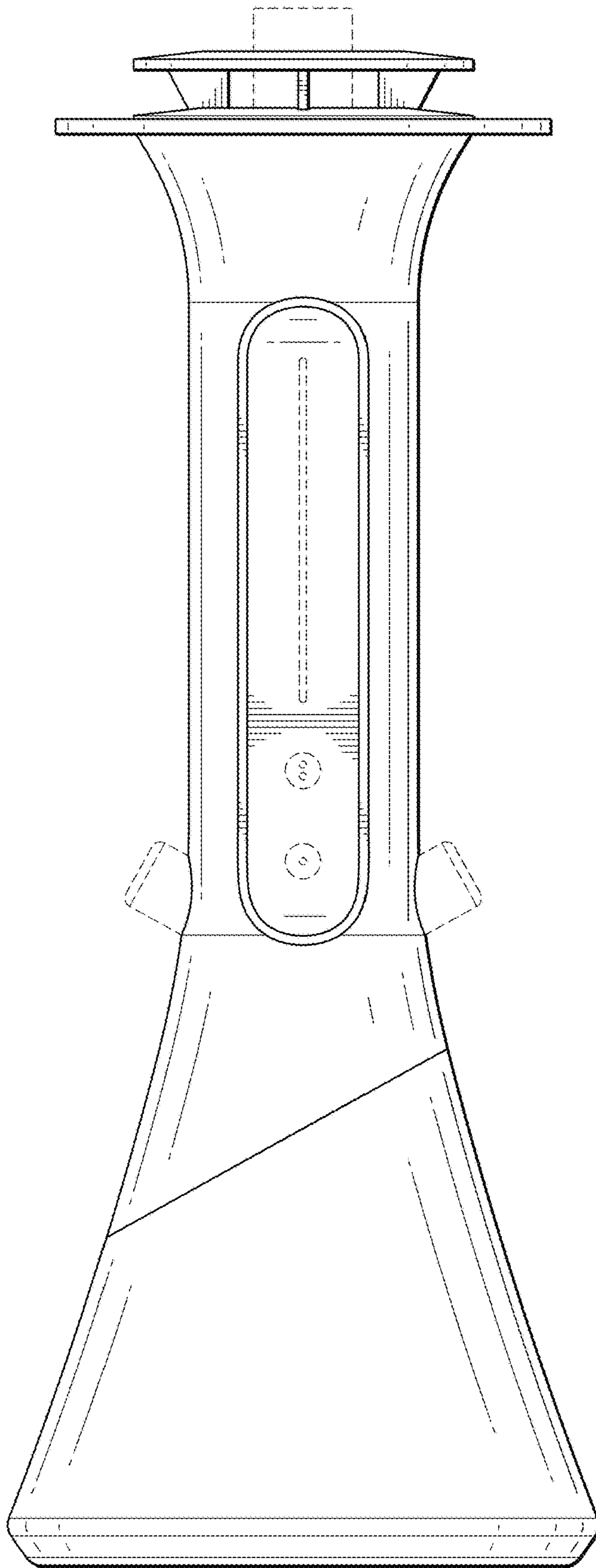


FIG. 2

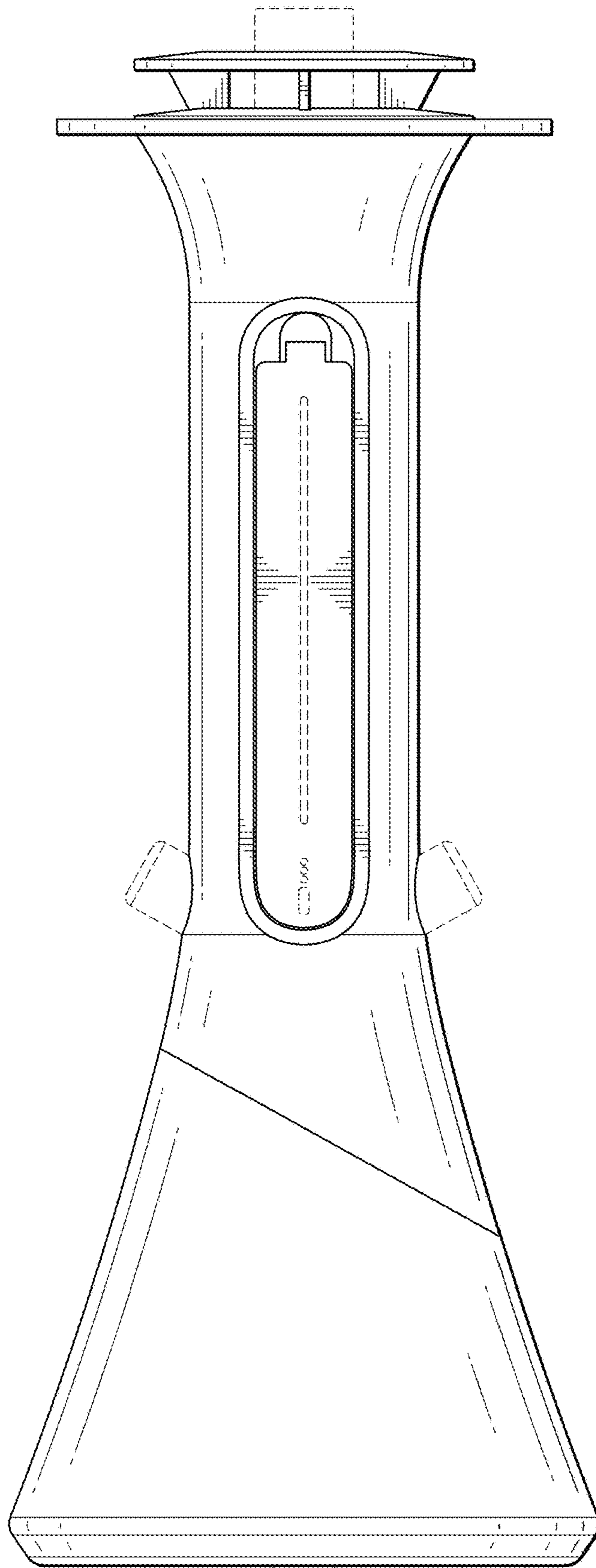


FIG. 3

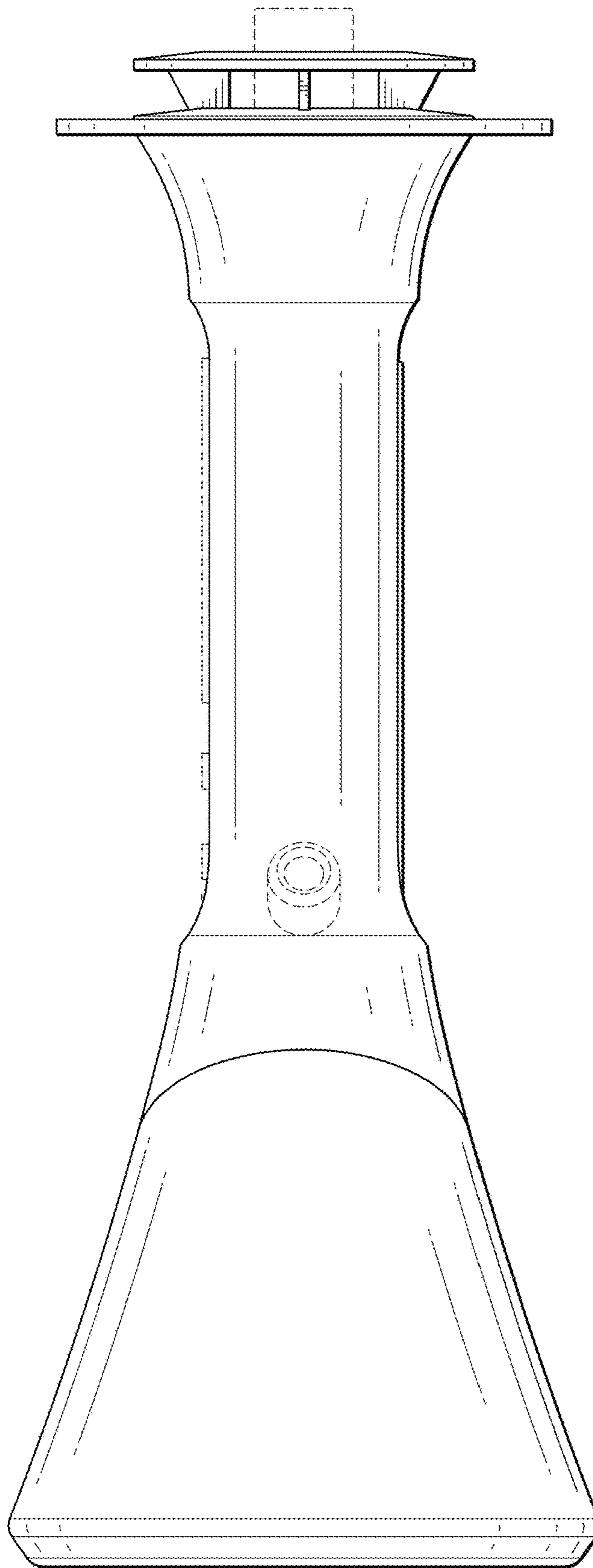


FIG. 4

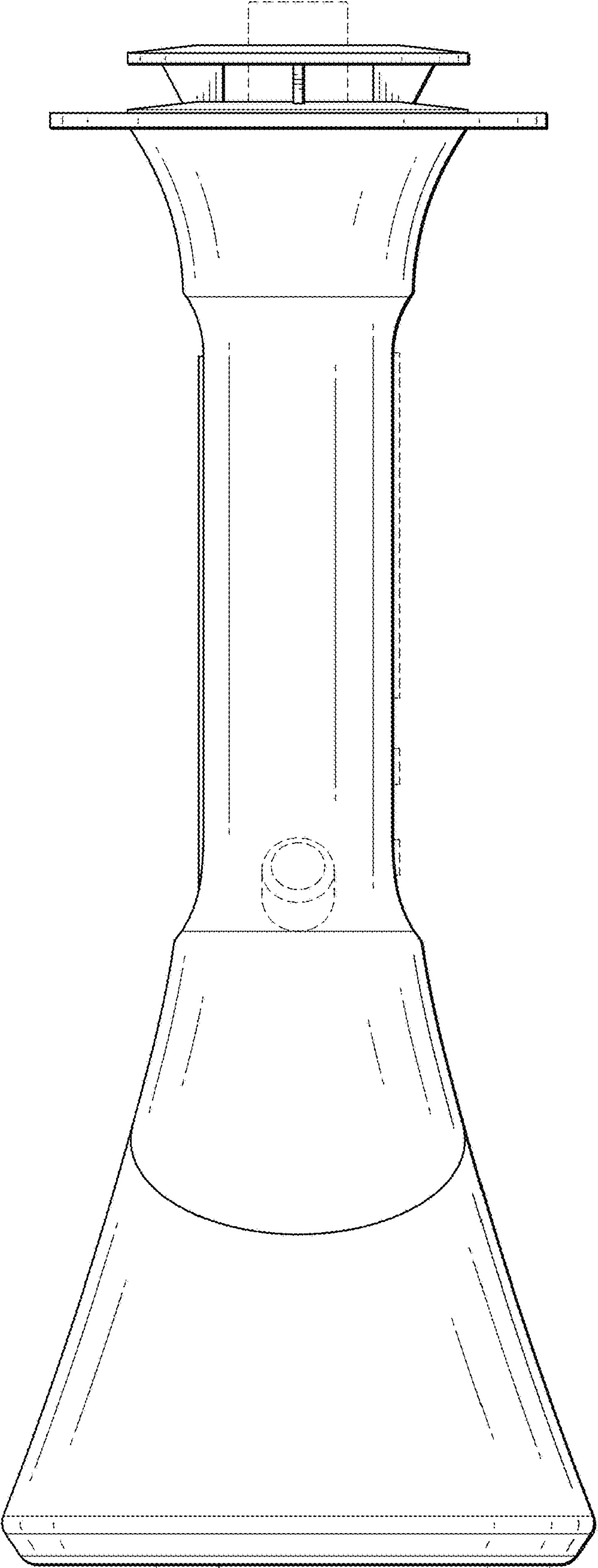


FIG. 5

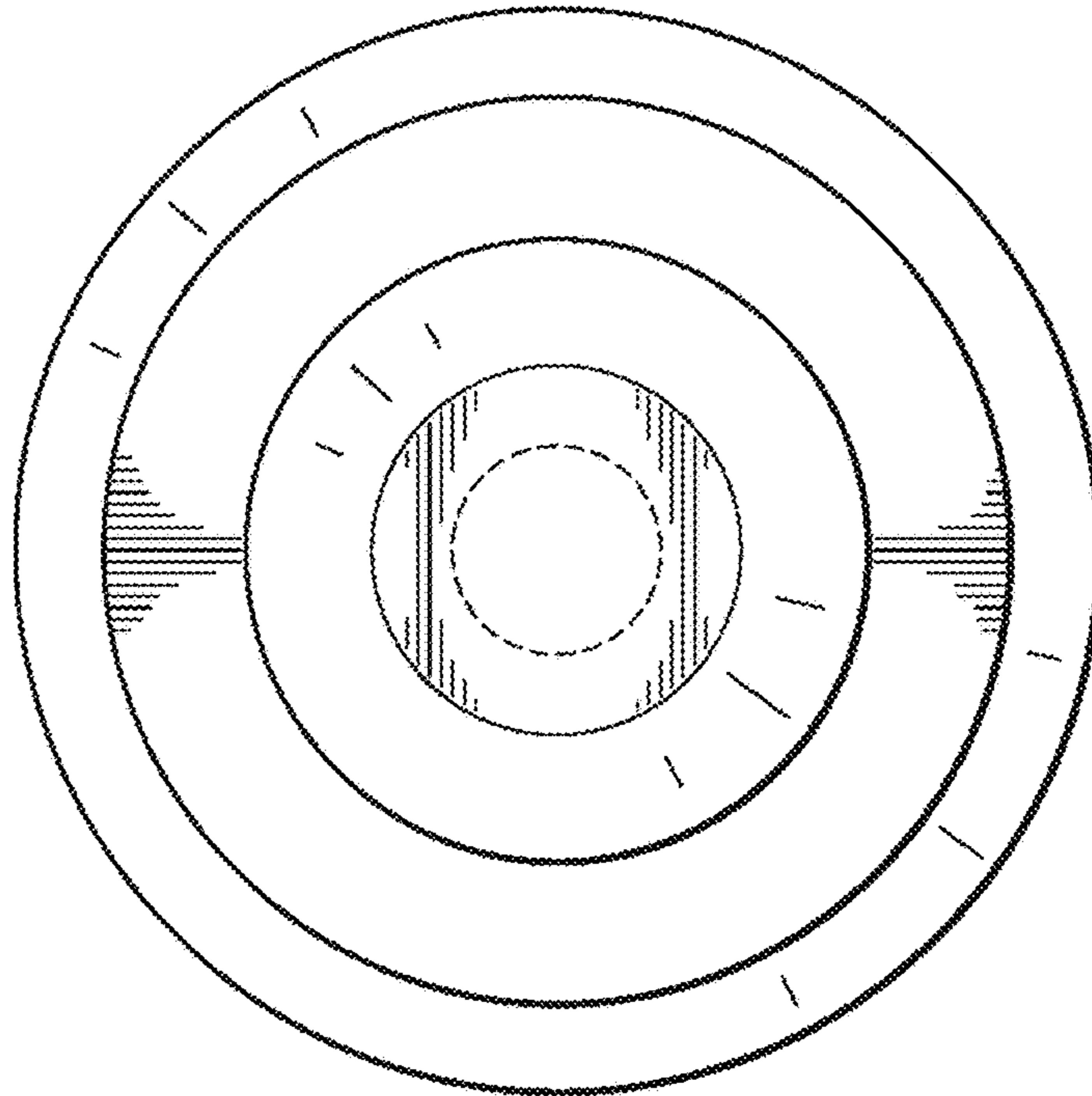


FIG. 6

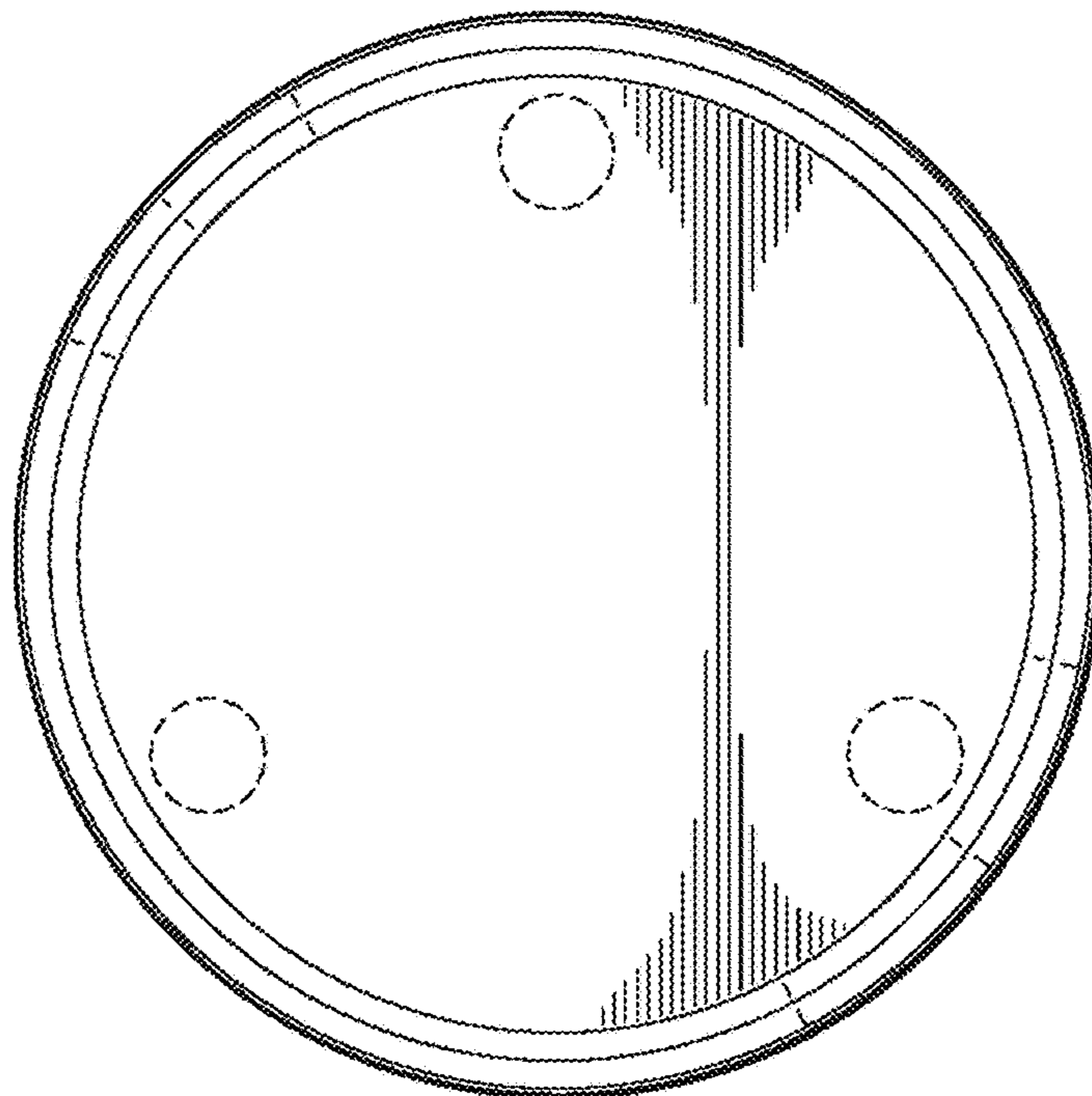


FIG. 7