



US00D832498S

(12) **United States Design Patent**
Chen

(10) **Patent No.:** **US D832,498 S**

(45) **Date of Patent:** **** Oct. 30, 2018**

(54) **VAPORIZER PEN**

(71) Applicant: **Shenzhen Transpring Enterprise Ltd.,**
Shenzhen (CN)

(72) Inventor: **Chuhui Chen,** Shenzhen (CN)

(**) Term: **15 Years**

(21) Appl. No.: **29/611,698**

(22) Filed: **Jul. 25, 2017**

(30) **Foreign Application Priority Data**

Apr. 18, 2017 (CN) 2017 3 0129885

(51) **LOC (11) Cl.** **27-01**

(52) **U.S. Cl.**
USPC **D27/101**

(58) **Field of Classification Search**
USPC D27/101, 106, 108, 163, 167, 168, 169,
D27/172-175, 183, 186-190, 193, 195;
D24/110, 108; 131/273, 274, 191, 330,
131/328, 329; 128/202.21, 203.12
CPC A24F 47/002; A24F 47/004; A24F 47/006;
A24F 47/008; A24F 9/00; A61M 15/06
See application file for complete search history.

(56) **References Cited**

U.S. PATENT DOCUMENTS

D695,450 S * 12/2013 Benassayag D24/110.5
D720,095 S * 12/2014 Alima D27/101
D729,441 S * 5/2015 Hua D27/101
D752,280 S * 3/2016 Verleur D27/167
D779,722 S * 2/2017 Volodarsky D27/162
D790,122 S * 6/2017 Hawes D27/101
D805,246 S * 12/2017 Fakhouri D27/101
D809,190 S * 1/2018 Schuler D27/101

D814,102 S * 3/2018 Lehoux D27/101
D814,103 S * 3/2018 Levinson D27/101
2013/0152922 A1* 6/2013 Benassayag A61M 15/06
128/202.21
2013/0228191 A1* 9/2013 Newton A24F 47/008
131/329
2013/0284194 A1* 10/2013 Newton A24F 47/008
131/329
2015/0090253 A1* 4/2015 Farrow A24F 47/008
128/200.14
2015/0374041 A1* 12/2015 Nakano A24F 47/006
128/202.21
2016/0262455 A1* 9/2016 Chen A24F 47/008

* cited by examiner

Primary Examiner — Susan Bennett Hattan

Assistant Examiner — Rebecca Tsehaye

(74) *Attorney, Agent, or Firm* — Prakash Nama; Global
IP Services, PLLC

(57) **CLAIM**

The ornamental design for a vaporizer pen, as shown and
described.

DESCRIPTION

FIG. 1 is a front view of a vaporizer pen showing my new
design;

FIG. 2 is a rear view thereof;

FIG. 3 is a left side view thereof;

FIG. 4 is a right side view thereof;

FIG. 5 is a top plan view thereof;

FIG. 6 is a bottom plan view thereof;

FIG. 7 is a top perspective view thereof; and,

FIG. 8 is a bottom perspective view thereof.

The broken lines in the drawings depict a portion of the
vaporizer pen that form no part of the claimed design.

1 Claim, 7 Drawing Sheets



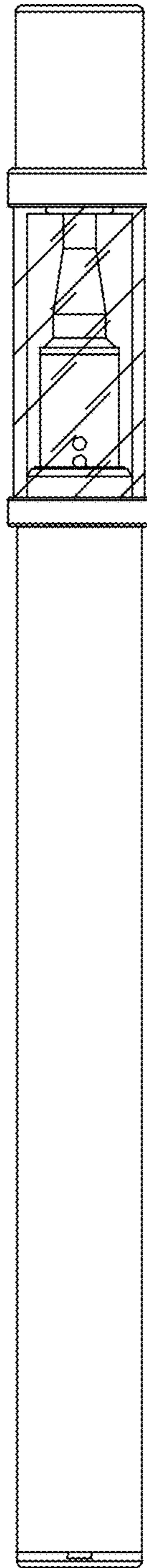


FIG. 1

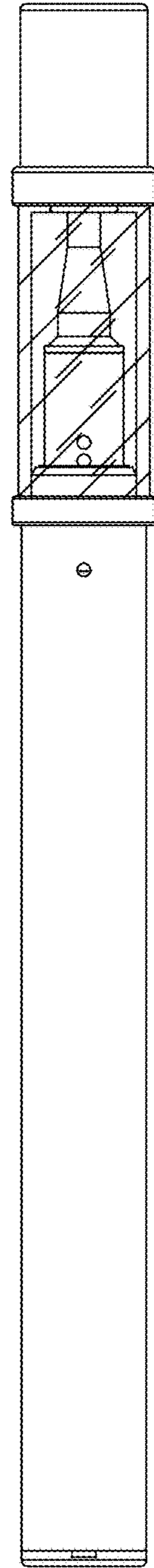


FIG. 2

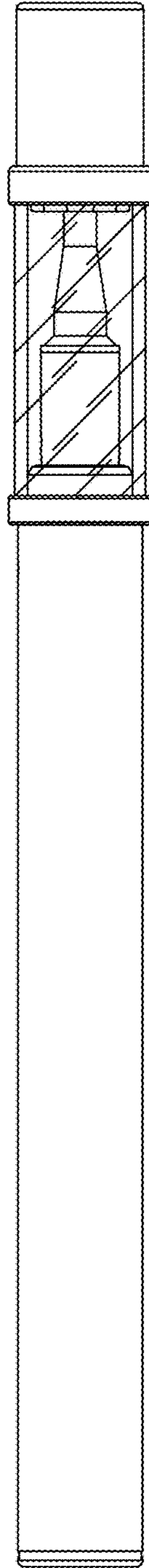


FIG. 3

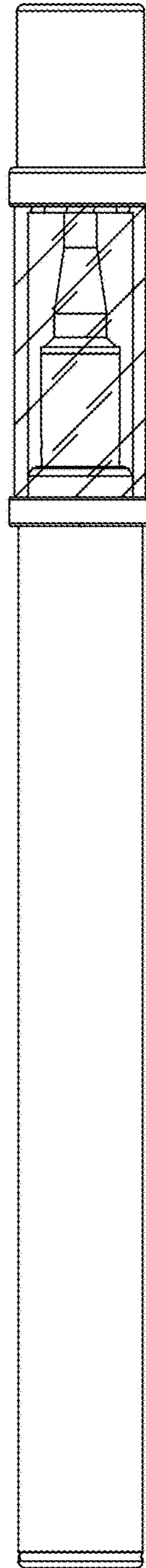


FIG. 4

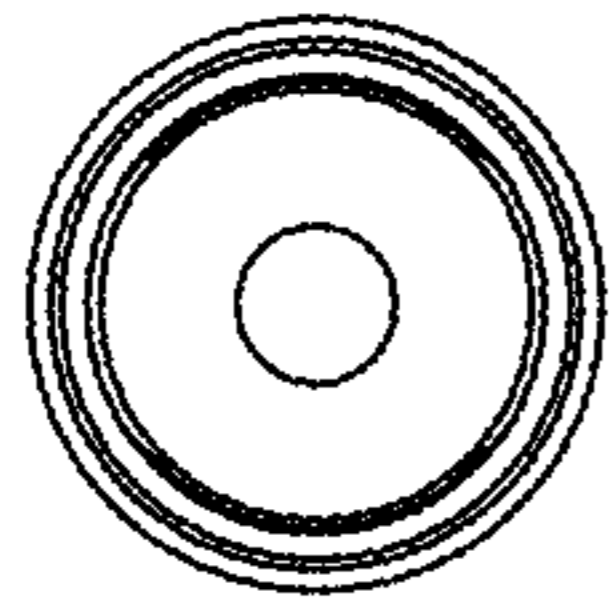


FIG. 5

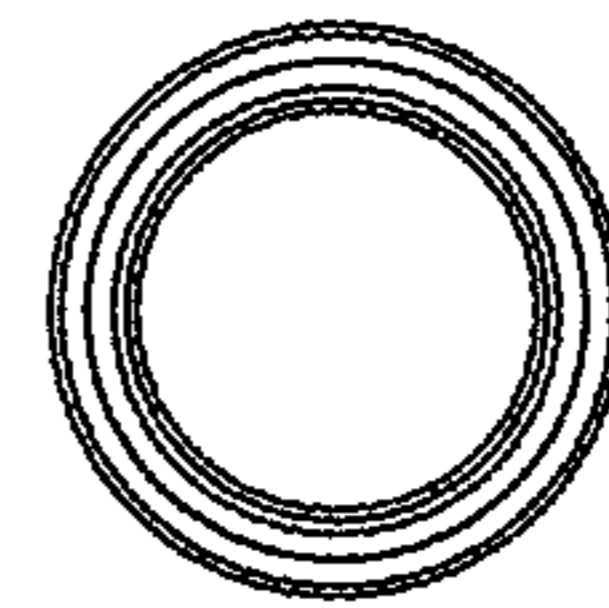


FIG. 6

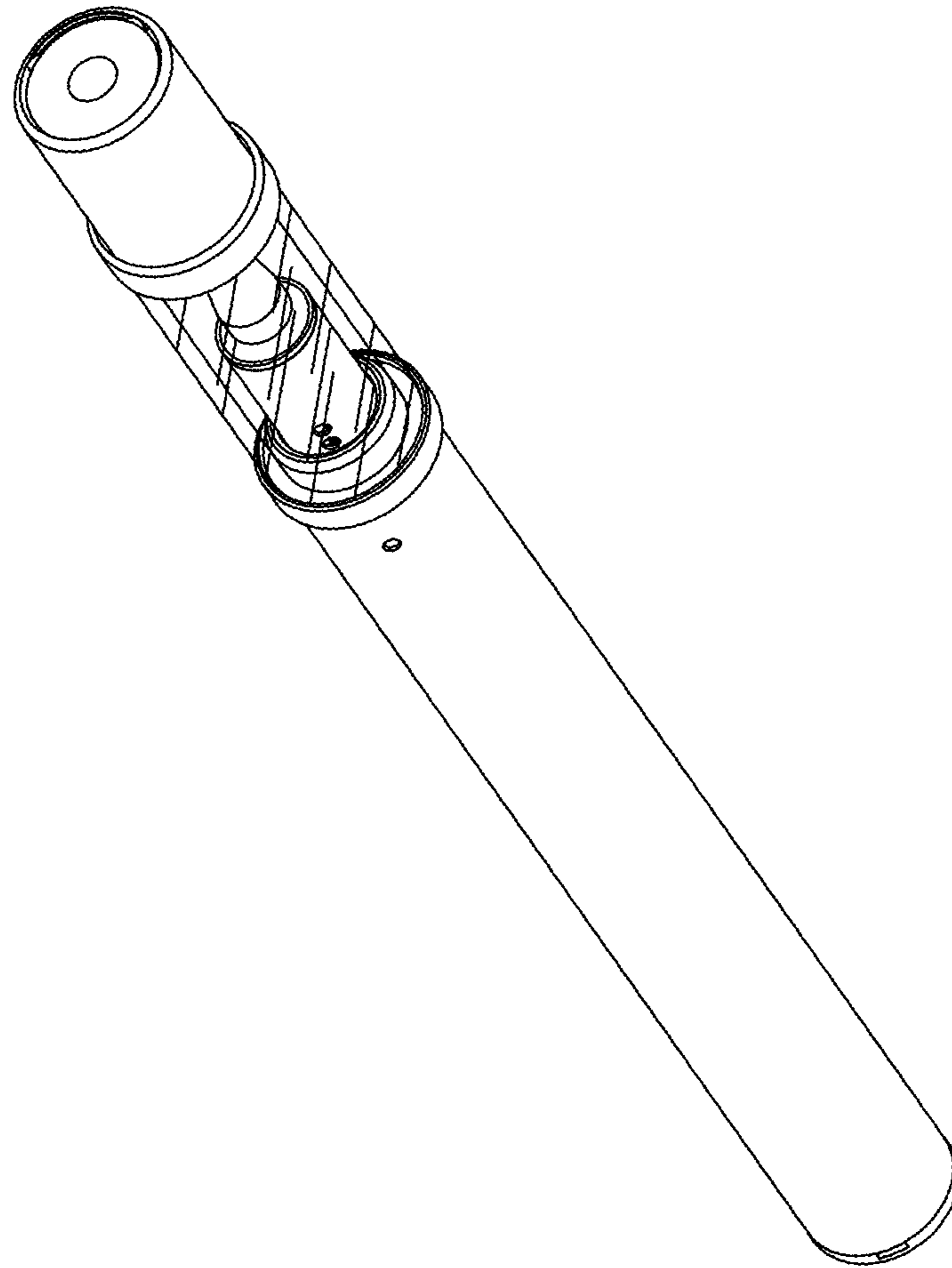


FIG. 7

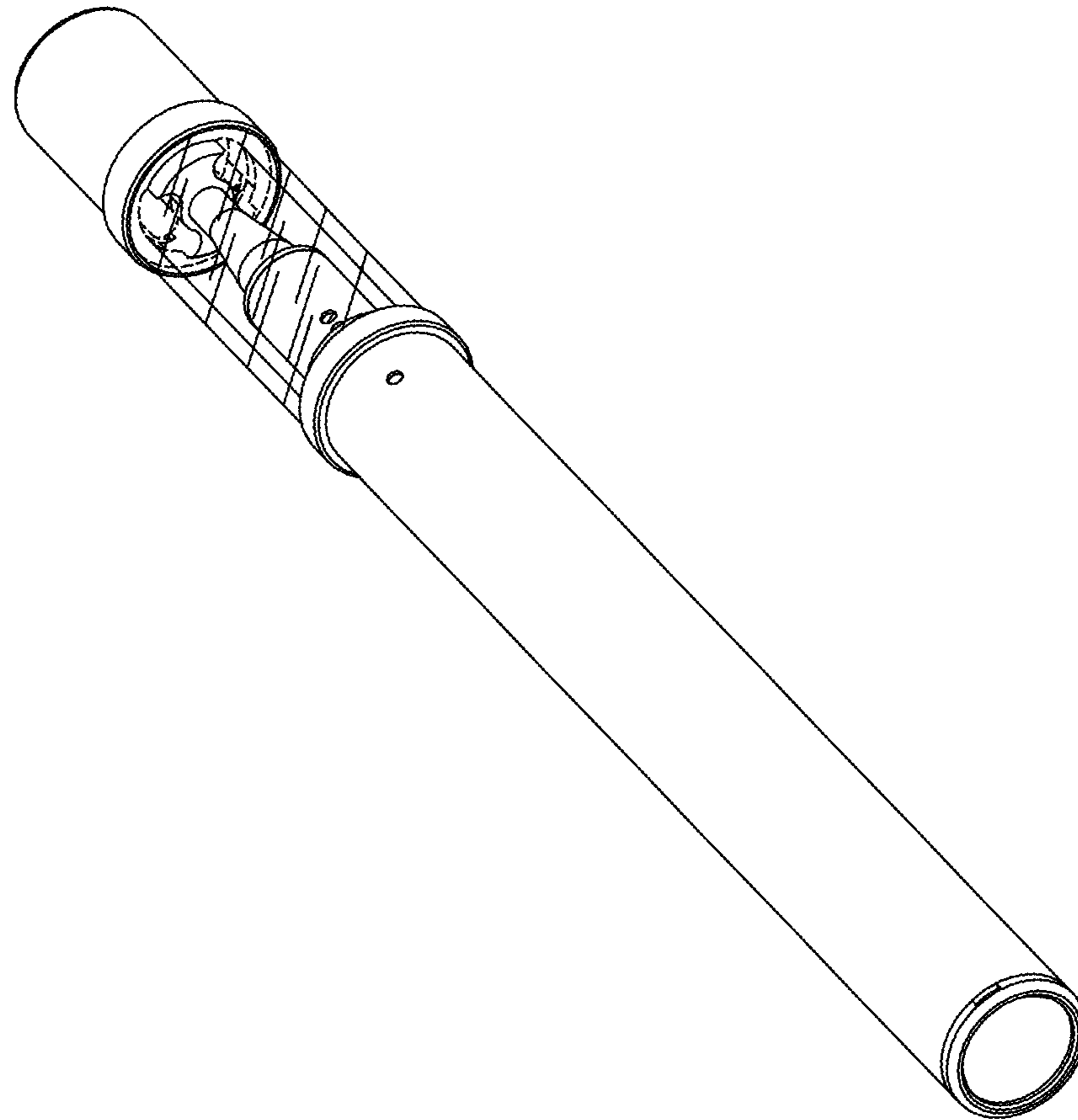


FIG. 8