



US00D832492S

(12) **United States Design Patent**
Murphy et al.

(10) **Patent No.:** **US D832,492 S**
(45) **Date of Patent:** **** Oct. 30, 2018**

(54) **LIGHTING ASSEMBLY**

(71) Applicant: **Molex, LLC**, Lisle, IL (US)

(72) Inventors: **Joseph F. Murphy**, Highland Park, IL (US); **Wai Y. Leung**, Chicago, IL (US); **Thomas J. McCollum**, Grayslake, IL (US)

(73) Assignee: **Molex, LLC**, Lisle, IL (US)

(**) Term: **15 Years**

(21) Appl. No.: **29/604,082**

(22) Filed: **May 15, 2017**

(51) **LOC (11) Cl.** **26-99**

(52) **U.S. Cl.**
USPC **D26/118; D26/25**

(58) **Field of Classification Search**
USPC D26/24, 25, 84, 85, 91, 113, 118, 120
CPC ... F21S 4/00; F21S 4/001; F21S 4/003; F21V 1/00; F21V 3/00; F21V 5/00; F21V 5/02; F21V 21/00; F21V 21/02; F21V 21/084
See application file for complete search history.

(56) **References Cited**

U.S. PATENT DOCUMENTS

D238,952 S	*	2/1976	Karksev	D26/118
D433,770 S	*	11/2000	Rotstein	D26/118
D547,887 S	*	7/2007	Titmarsh	D26/25
D625,038 S	*	10/2010	Yoo	D26/25
D648,465 S	*	11/2011	San Juan	D26/25
D758,643 S	*	6/2016	Brittain	D26/118

OTHER PUBLICATIONS

250 Watt Temporary Construction String Light—10 LED PAR 38 Work Lights 120-277V [online], [retrieved from Internet on May

15, 2017] Retrieved from Internet <<http://www.larsonelectronics.com/p-71546-250-watt-temporary-construction-string-light-10-led-par-38-work-lights-120-277v.aspx>> Publication date is unknown, but prior the filing of the present application. (9 Color Pages). Woodhead Stringlights, published by Molex, LLC, Lisle, Illinois, Publication date is unknown, but prior the filing date of the present application. (6 Color Pages).

* cited by examiner

Primary Examiner — Brian N. Vinson

(74) *Attorney, Agent, or Firm* — Banner & Witcoff, Ltd.

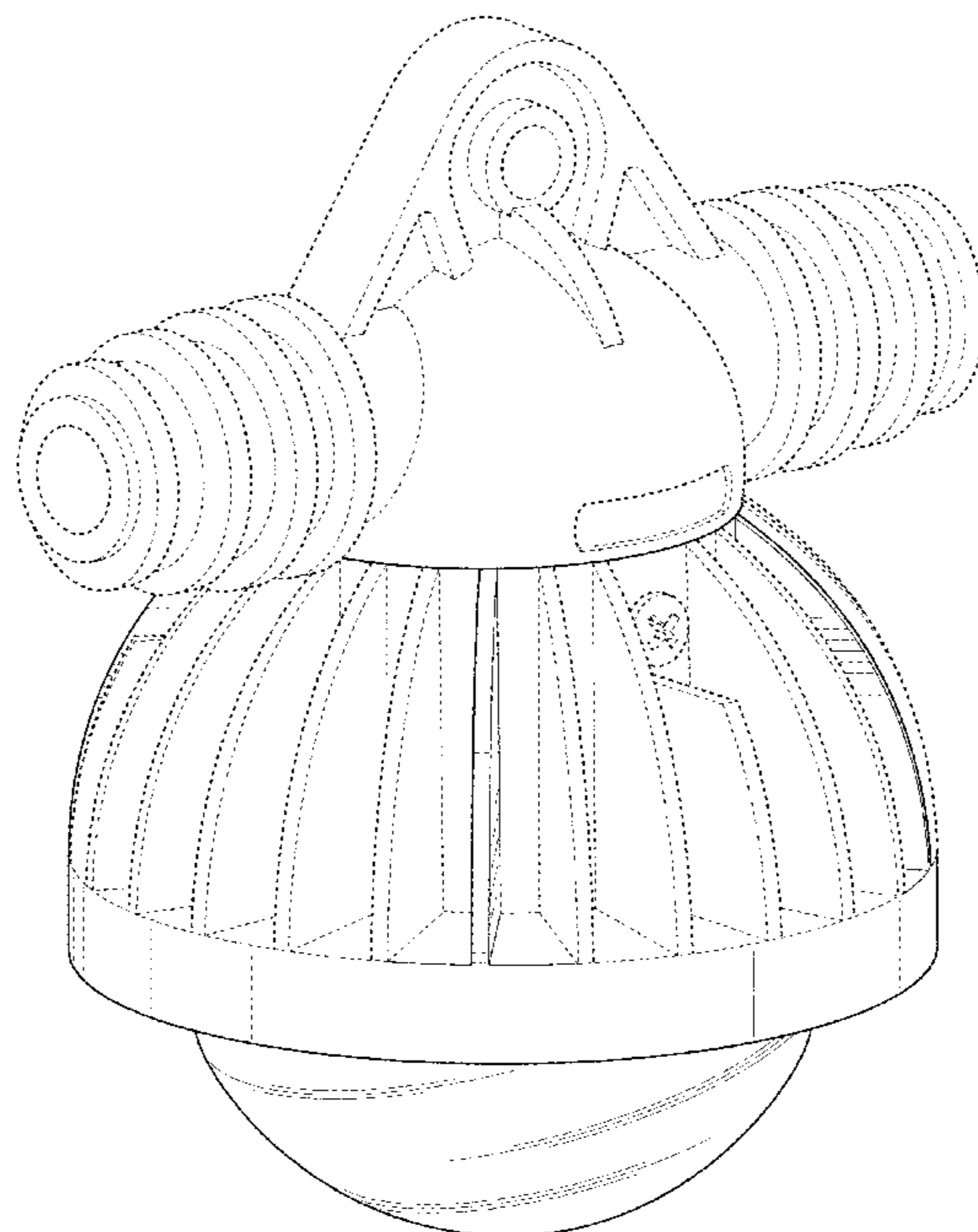
(57) **CLAIM**

The ornamental design for a lighting assembly, as shown and described.

DESCRIPTION

FIG. 1 is a top perspective view of a lighting assembly showing our new design; FIG. 2 is a front view thereof; FIG. 3 is a rear view thereof; FIG. 4 is a left side view thereof; FIG. 5 is a right side view thereof; FIG. 6 is a top view thereof; FIG. 7 is a bottom view thereof; and, FIG. 8 is a bottom perspective view thereof. The broken lines depicting the remainder of the lighting assembly show features that form no part of the claimed design. Where a surface forming part of the claimed design is adjacent to an unclaimed surface, the broken lines indicating the adjacent unclaimed surface represent a boundary.

1 Claim, 8 Drawing Sheets



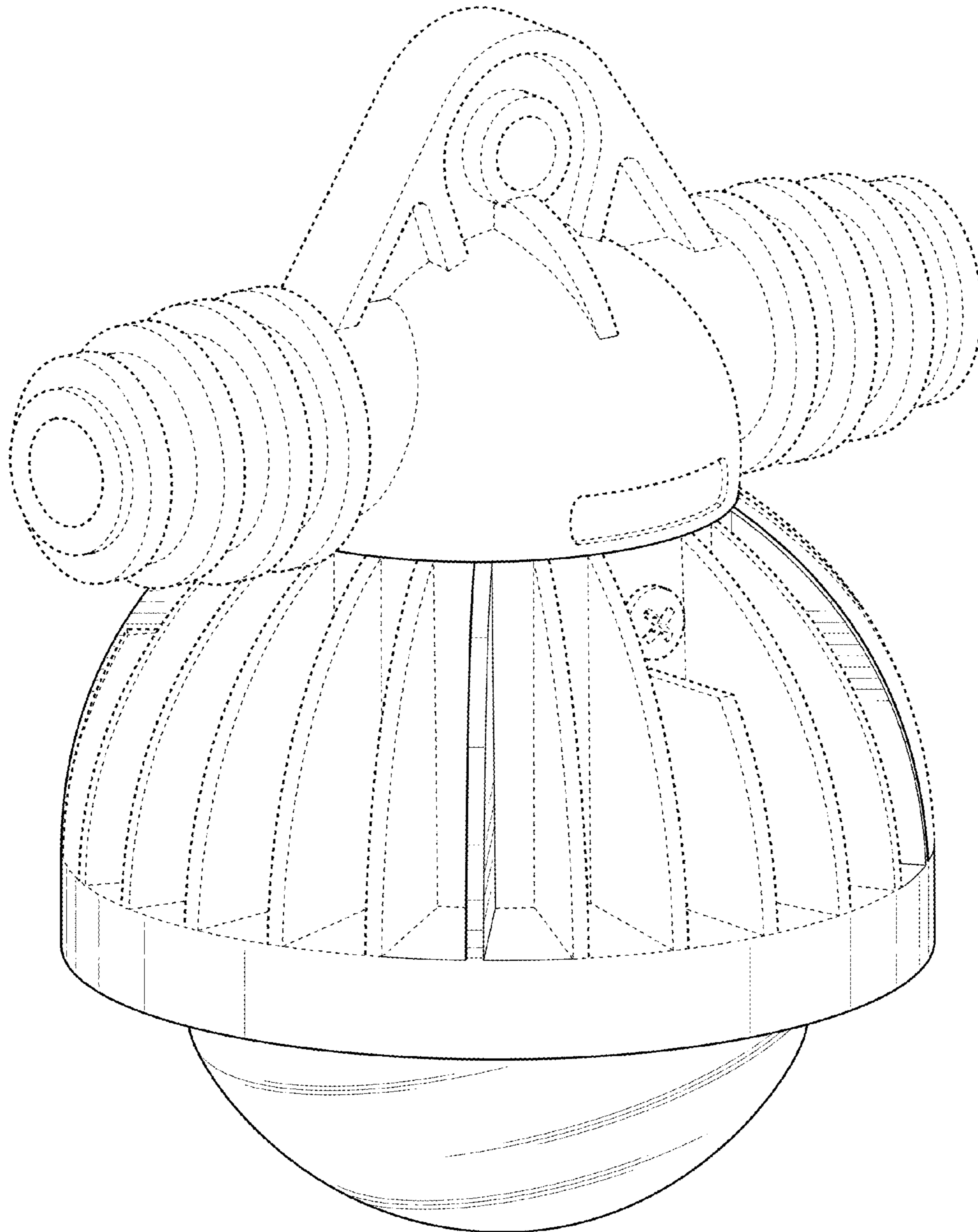


FIG. 1

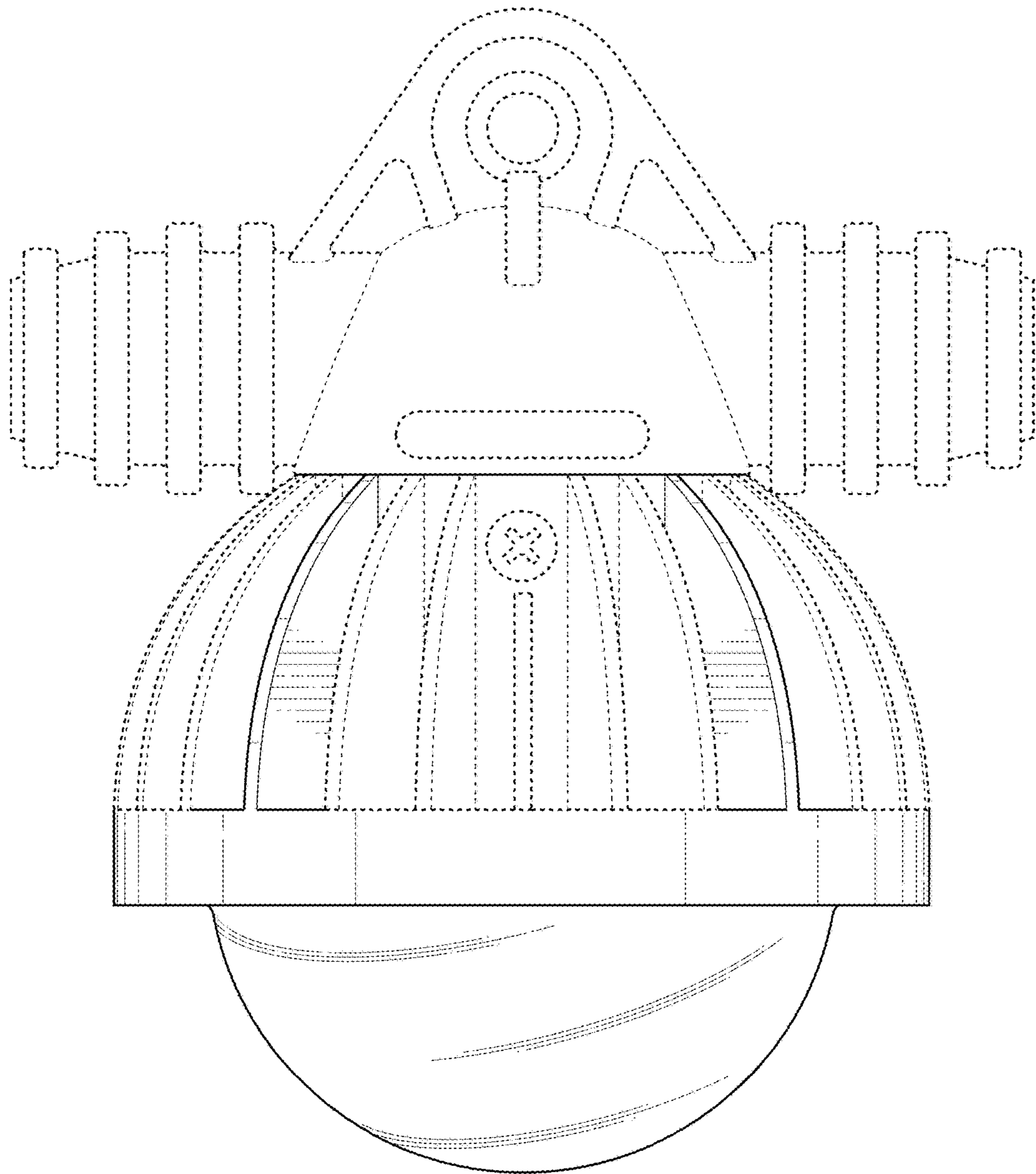


FIG. 2

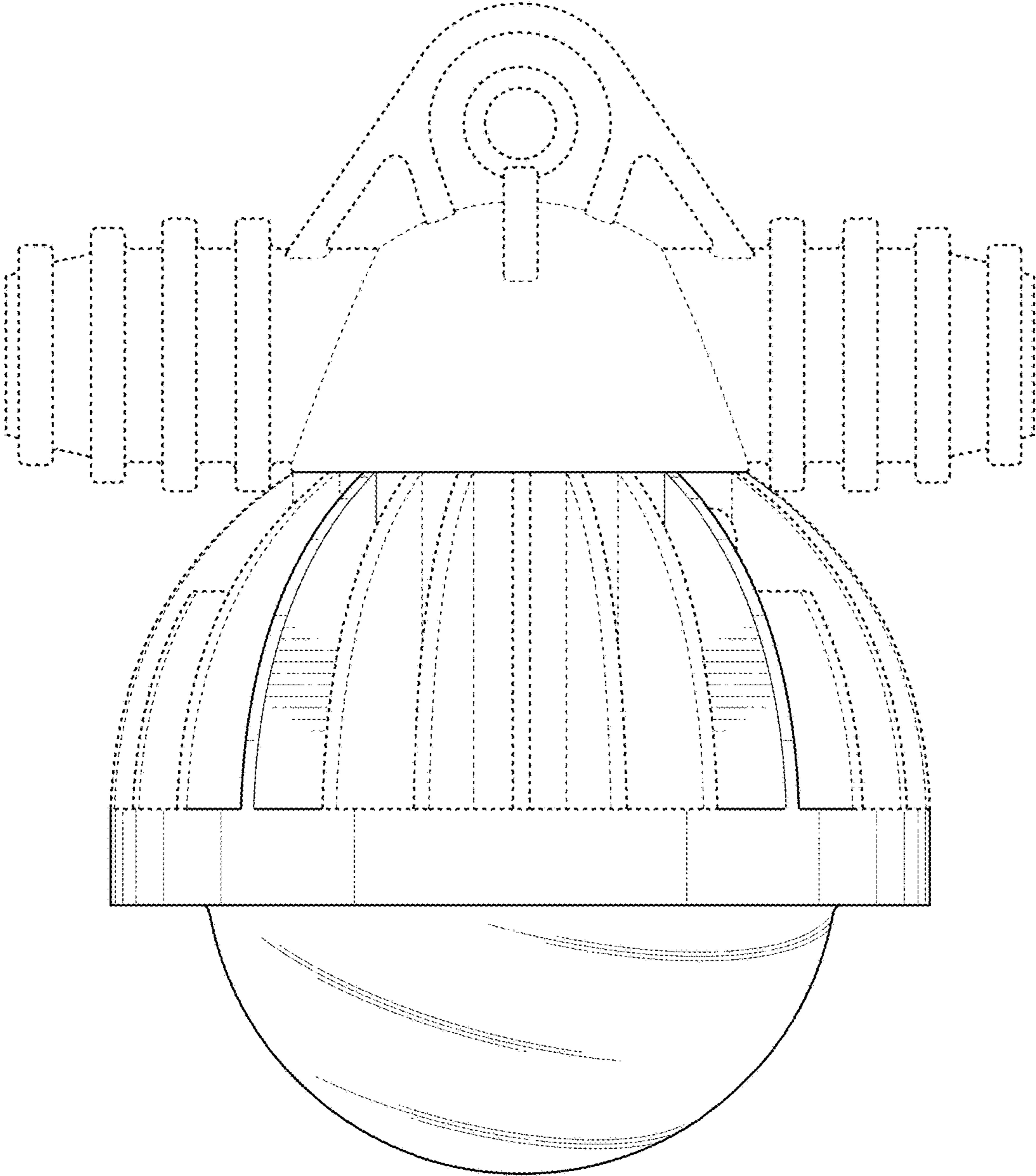


FIG. 3

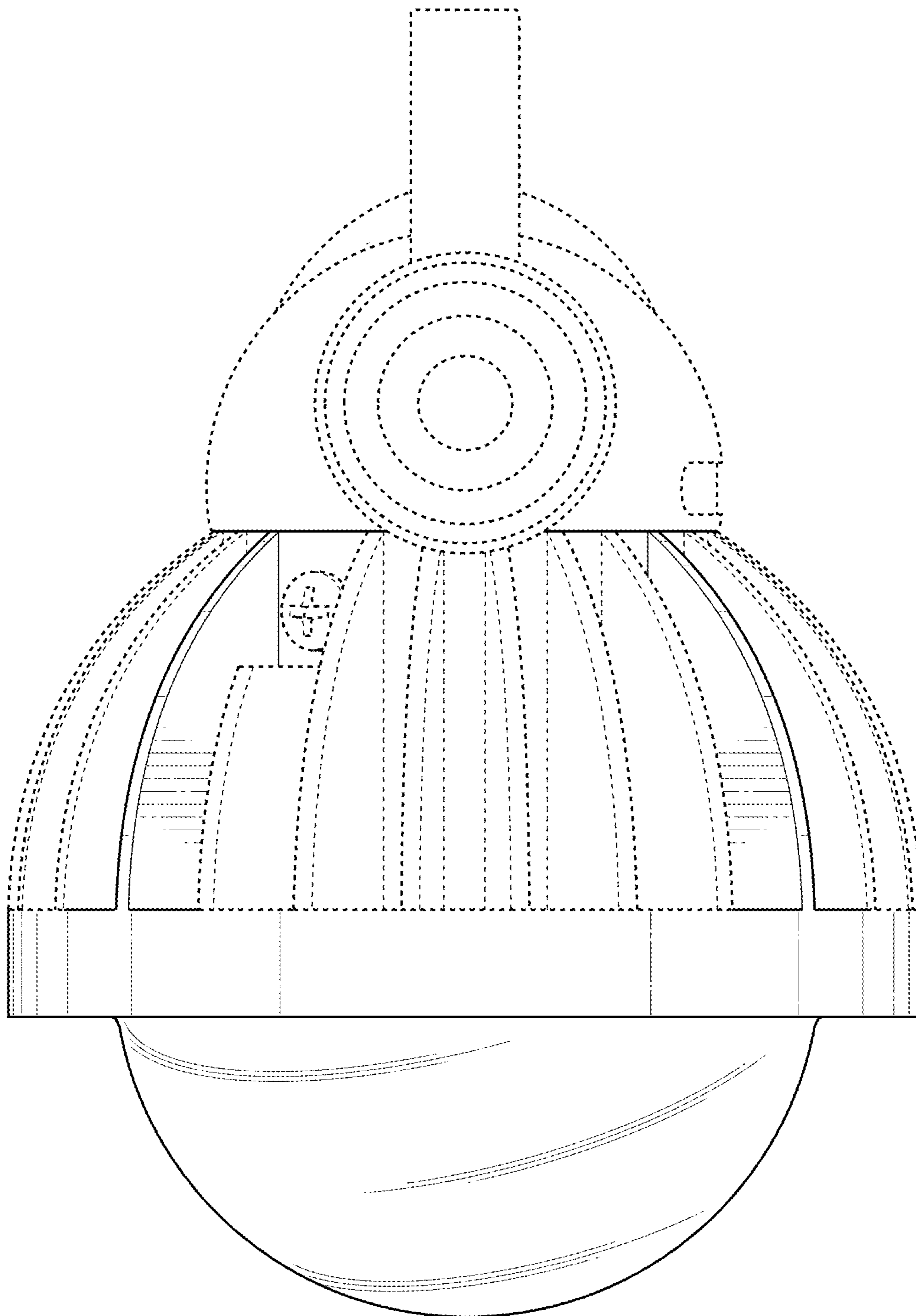


FIG. 4

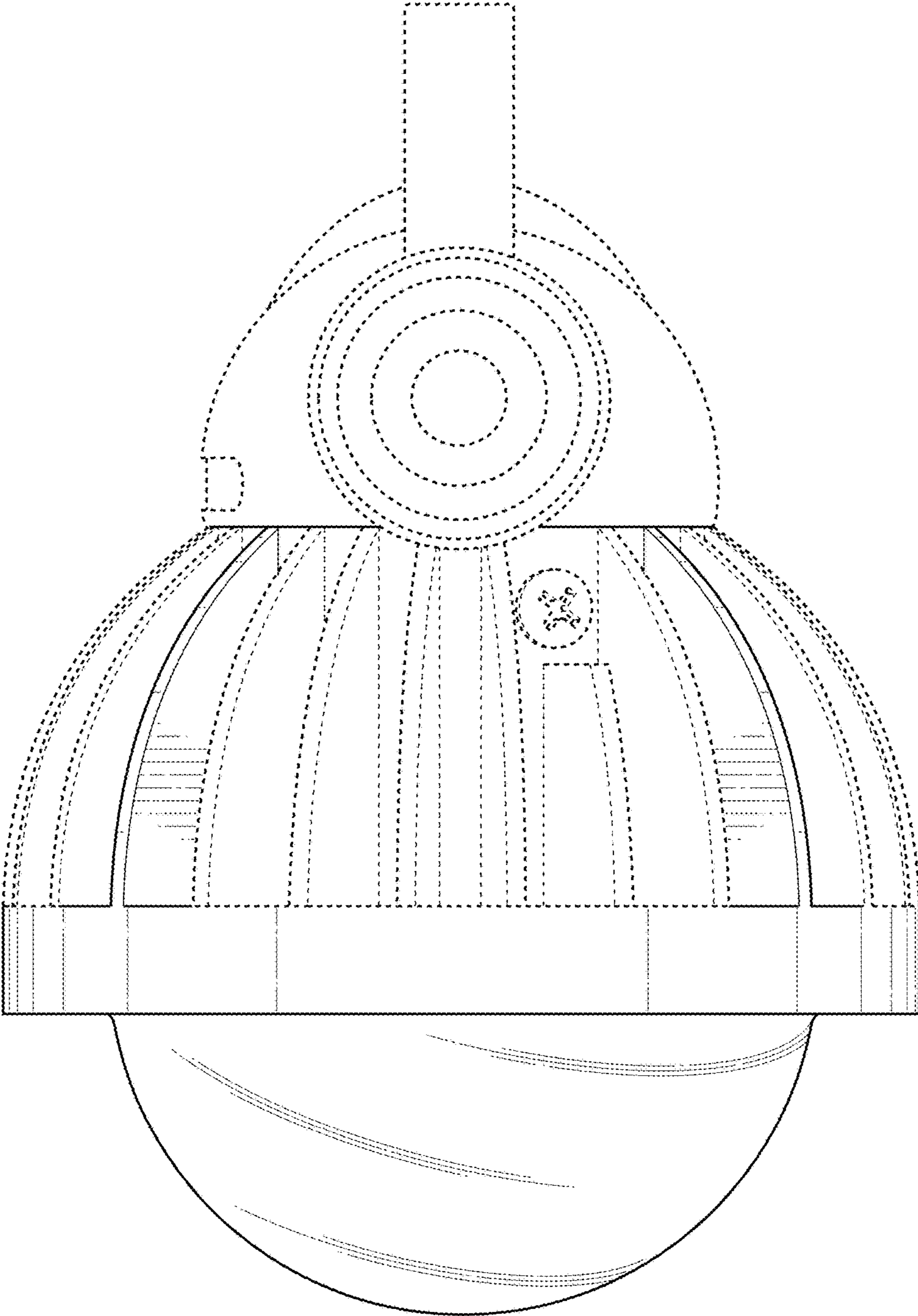


FIG. 5

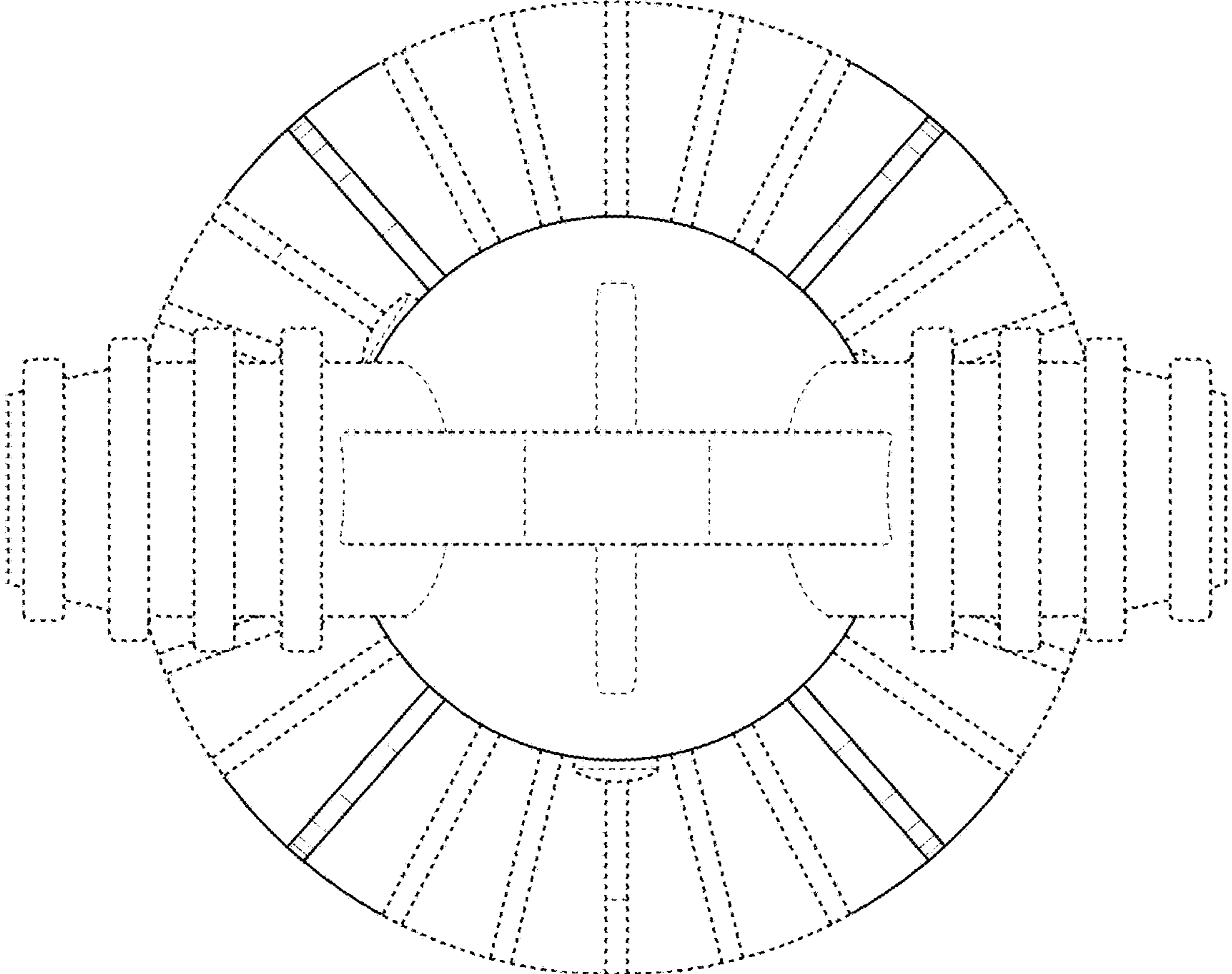


FIG. 6

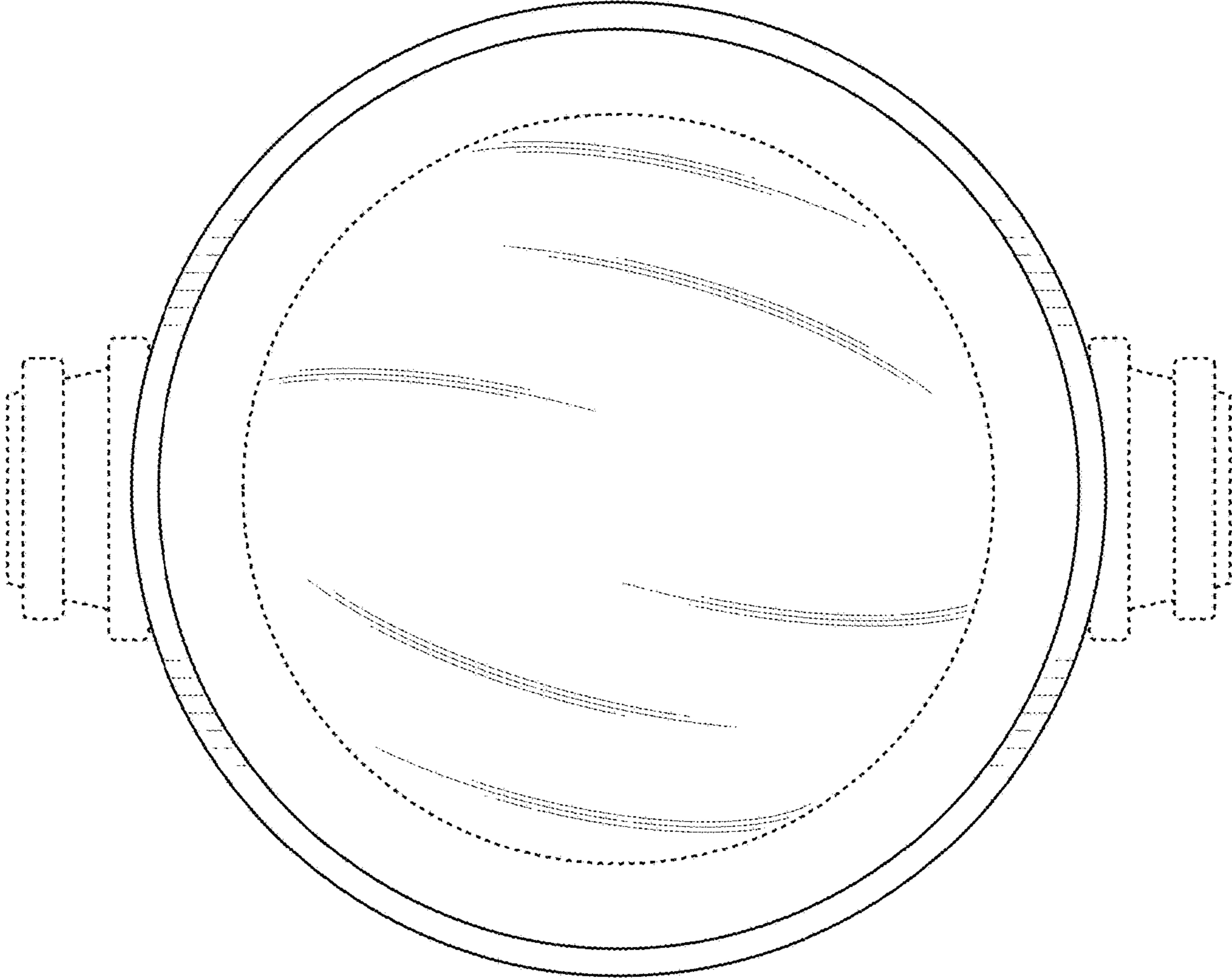


FIG. 7

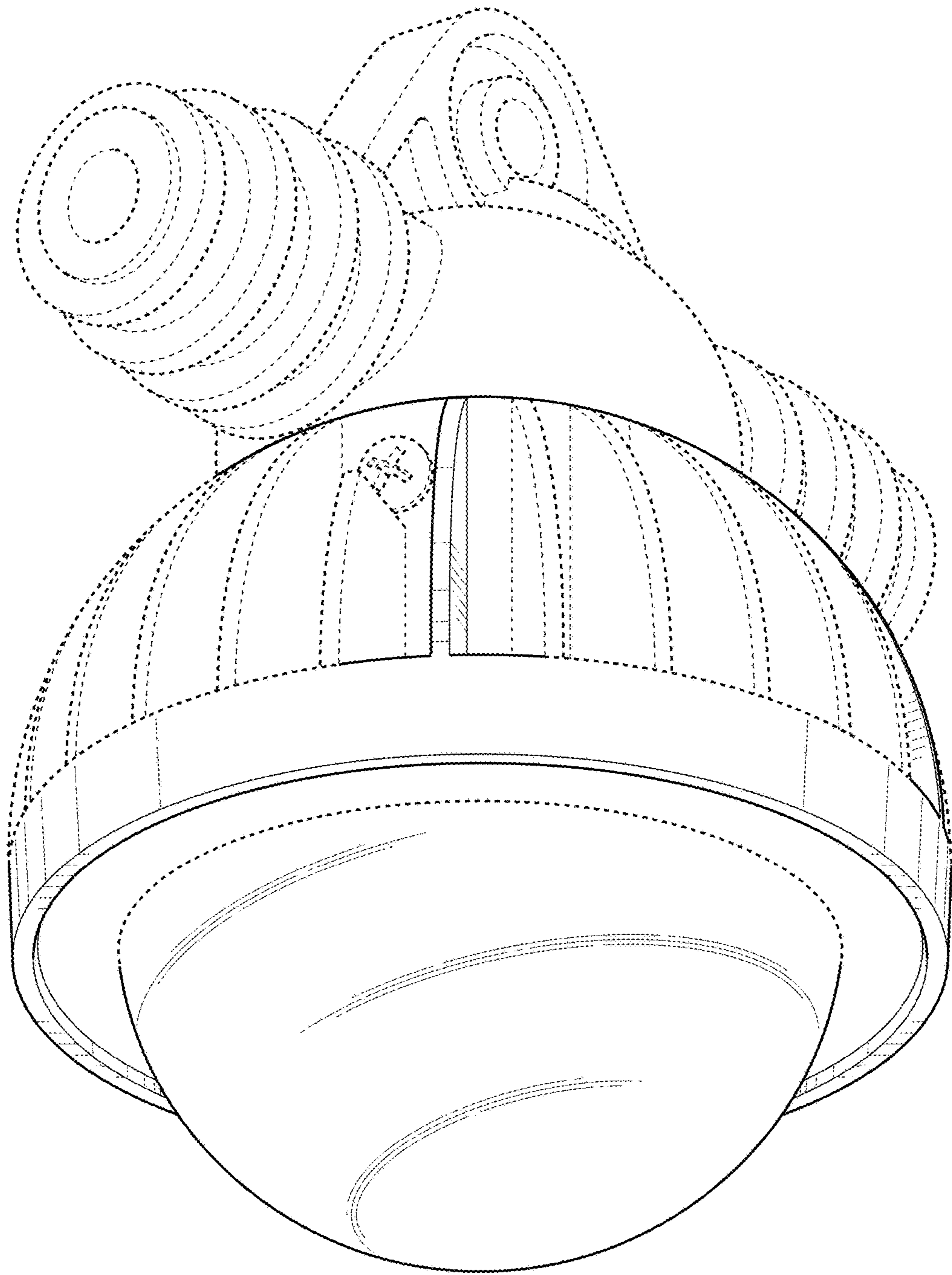


FIG. 8