



US00D832491S

(12) **United States Design Patent** (10) **Patent No.:** **US D832,491 S**  
**Murphy et al.** (45) **Date of Patent:** **\*\* Oct. 30, 2018**

(54) **LIGHTING ASSEMBLY**  
(71) Applicant: **Molex, LLC**, Lisle, IL (US)  
(72) Inventors: **Joseph F. Murphy**, Highland Park, IL (US); **Wai Y. Leung**, Chicago, IL (US); **Thomas J. McCollum**, Grayslake, IL (US)  
(73) Assignee: **Molex, LLC**, Lisle, IL (US)  
(\*\*) Term: **15 Years**  
(21) Appl. No.: **29/604,079**  
(22) Filed: **May 15, 2017**  
(51) **LOC (11) Cl.** ..... **26-99**  
(52) **U.S. Cl.**  
USPC ..... **D26/118**; D26/25  
(58) **Field of Classification Search**  
USPC ..... D26/24, 25, 84, 85, 91, 113, 118, 120  
CPC ... F21S 4/00; F21S 4/001; F21S 4/003; F21V 1/00; F21V 3/00; F21V 5/00; F21V 5/02; F21V 21/00; F21V 21/02; F21V 21/084  
See application file for complete search history.

par-38-work-lights-120-277v.aspx> Publication date is unknown, but prior the filing of the present application. (9 Color Pages). Woodhead Stringlights, published by Molex, LLC, Lisle, Illinois. Publication date is unknown, but prior to the filing date of the present application. (6 Color Pages).

\* cited by examiner

*Primary Examiner* — Brian N. Vinson  
(74) *Attorney, Agent, or Firm* — Banner & Witcoff, Ltd.

(57) **CLAIM**

The ornamental design for a lighting assembly, as shown and described.

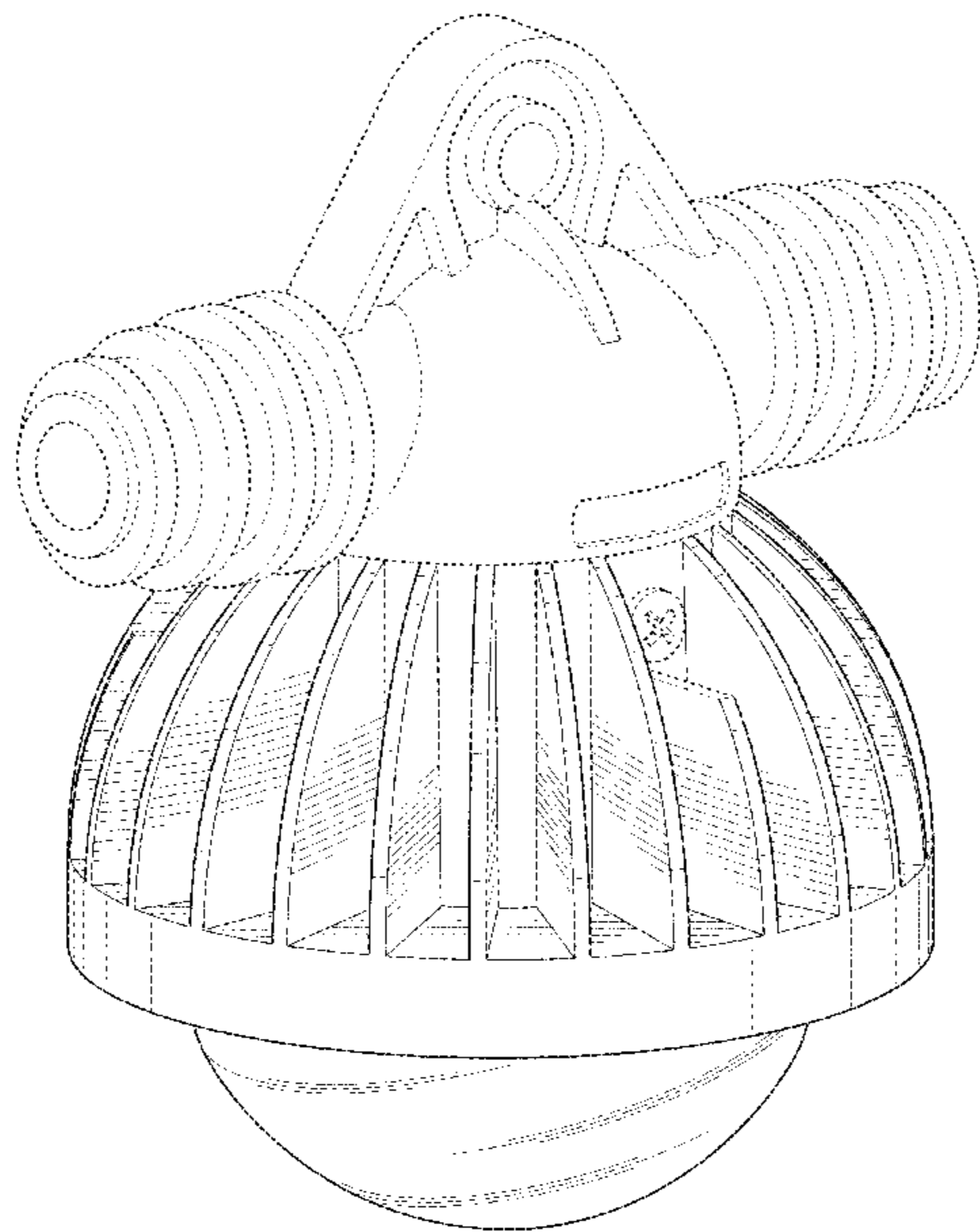
**DESCRIPTION**

FIG. 1 is a top perspective view of a lighting assembly showing our new design;  
FIG. 2 is a front view thereof;  
FIG. 3 is a rear view thereof.  
FIG. 4 is a left side view thereof;  
FIG. 5 is a right side view thereof;  
FIG. 6 is a top view thereof;  
FIG. 7 is a bottom view thereof; and,  
FIG. 8 is a bottom perspective view thereof.  
The broken lines depicting the remainder of the lighting assembly show features that form no part of the claimed design. Where a surface forming part of the claimed design is adjacent to an unclaimed surface, the broken lines indicating the adjacent unclaimed surface represent a boundary.

(56) **References Cited**  
U.S. PATENT DOCUMENTS  
D238,952 S \* 2/1976 Karksev ..... D26/118  
D433,770 S \* 11/2000 Rotstein ..... D26/118  
D547,887 S \* 7/2007 Titmarsh ..... D26/25  
D625,038 S \* 10/2010 Yoo ..... D26/25  
D648,465 S \* 11/2011 San Juan ..... D26/25  
D758,643 S \* 6/2016 Brittain ..... D26/118

**OTHER PUBLICATIONS**  
250 Watt Temporary Construction String Light—10 LED PAR 38 Work Lights 120-277V [online], [retrieved from Internet on May 15, 2017] Retrieved from Internet <<http://www.larsonelectronics.com/p-71546-250-watt-temporary-construction-string-light-10-led->

**1 Claim, 8 Drawing Sheets**



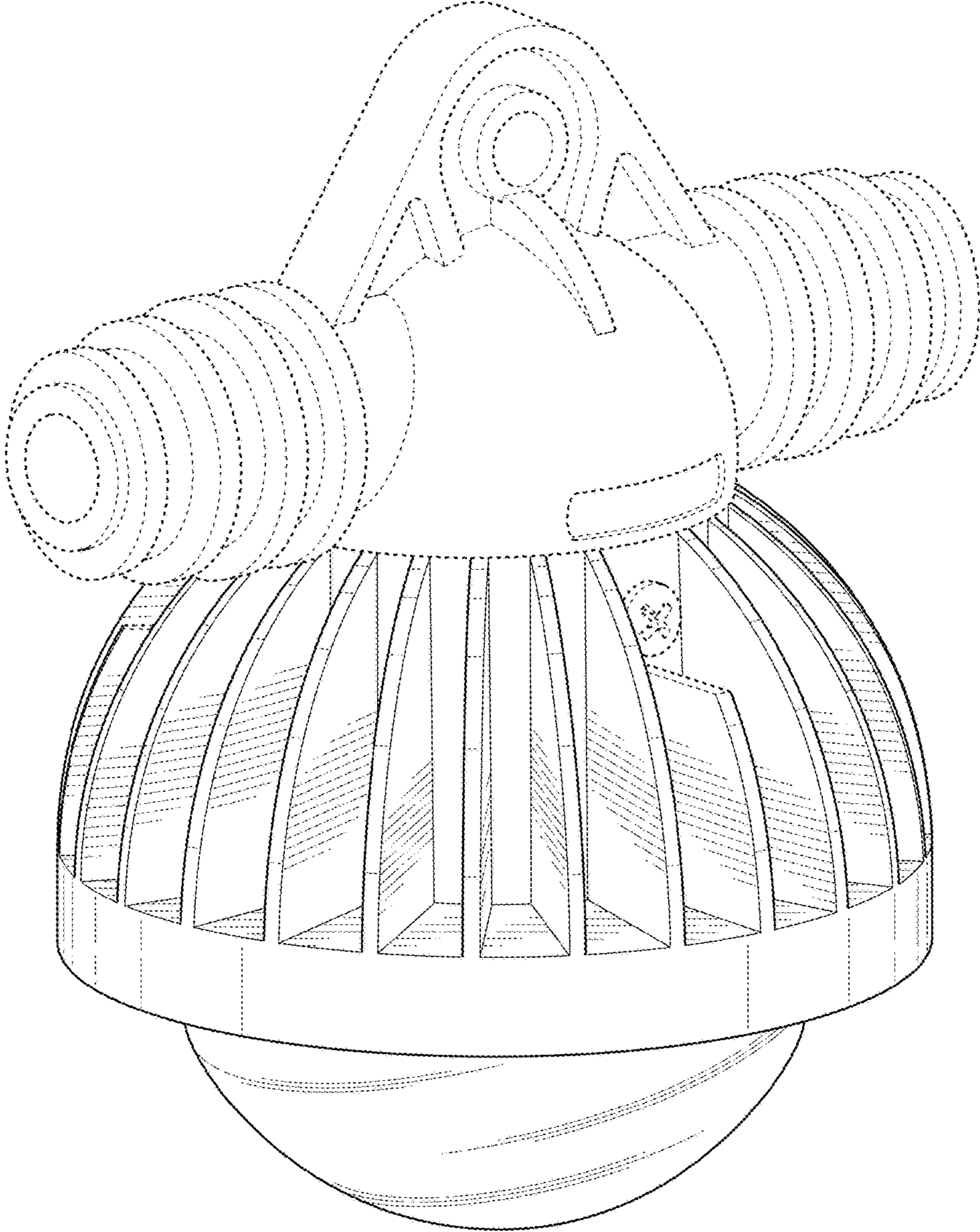


FIG. 1

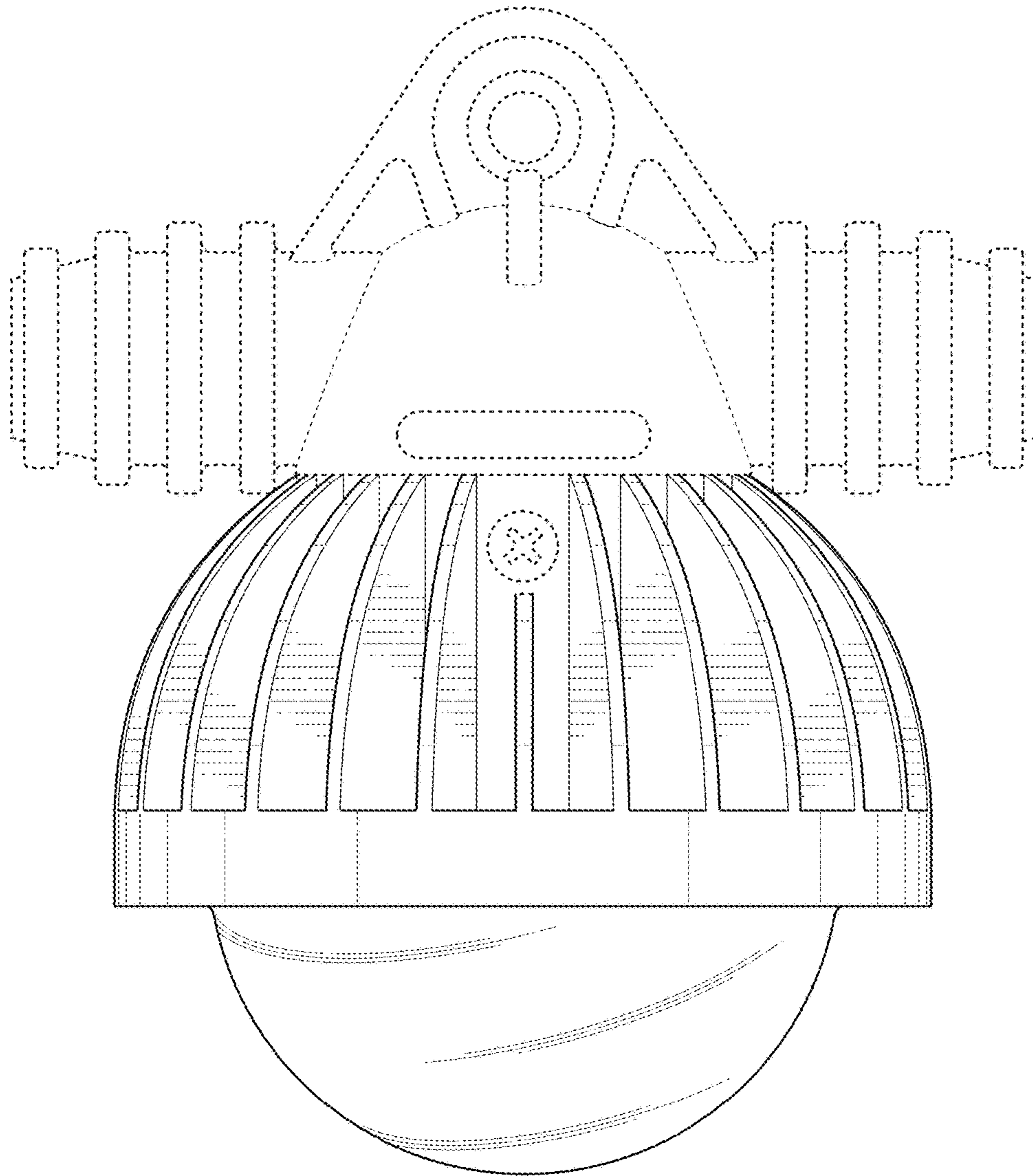


FIG. 2

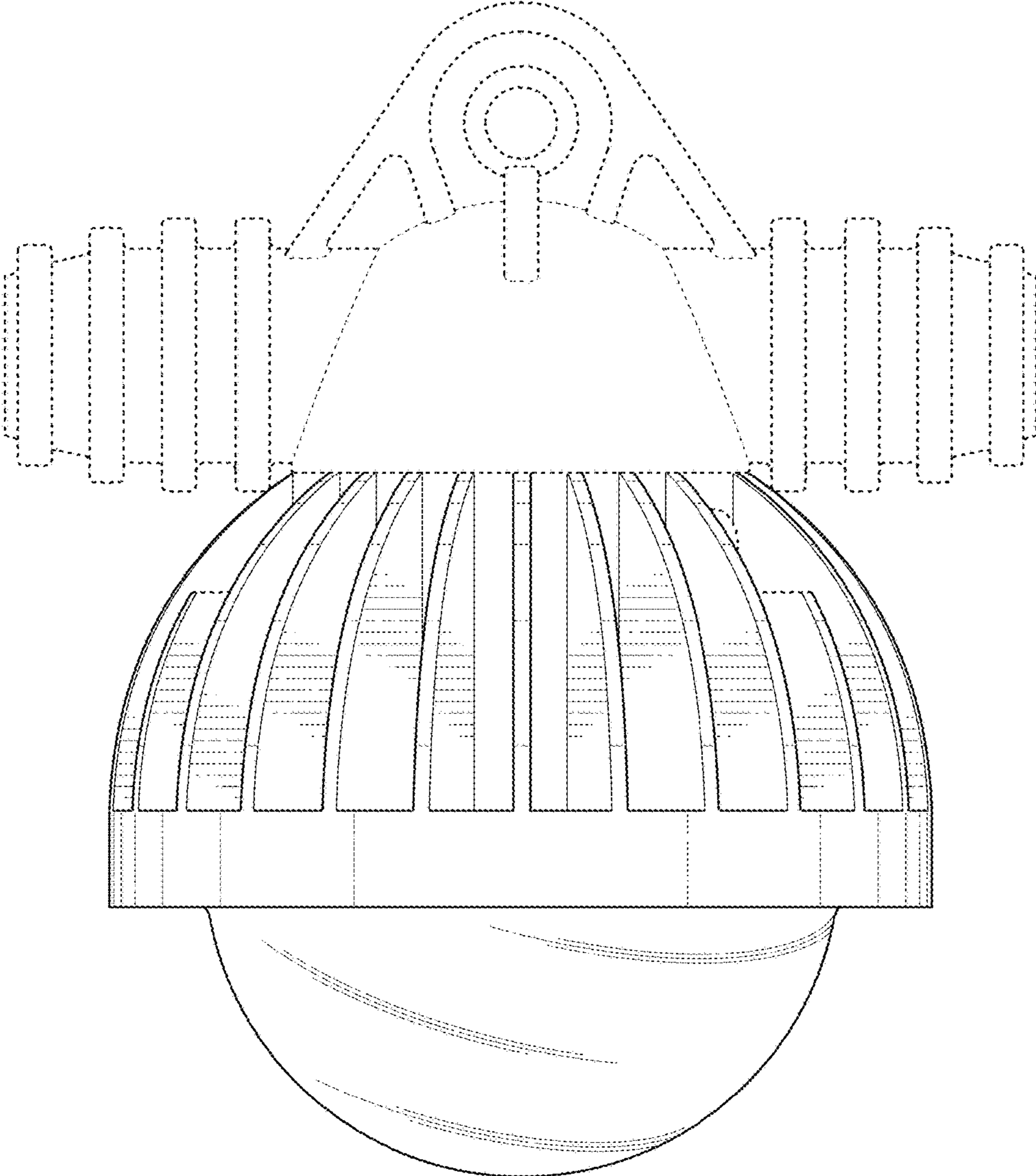


FIG. 3

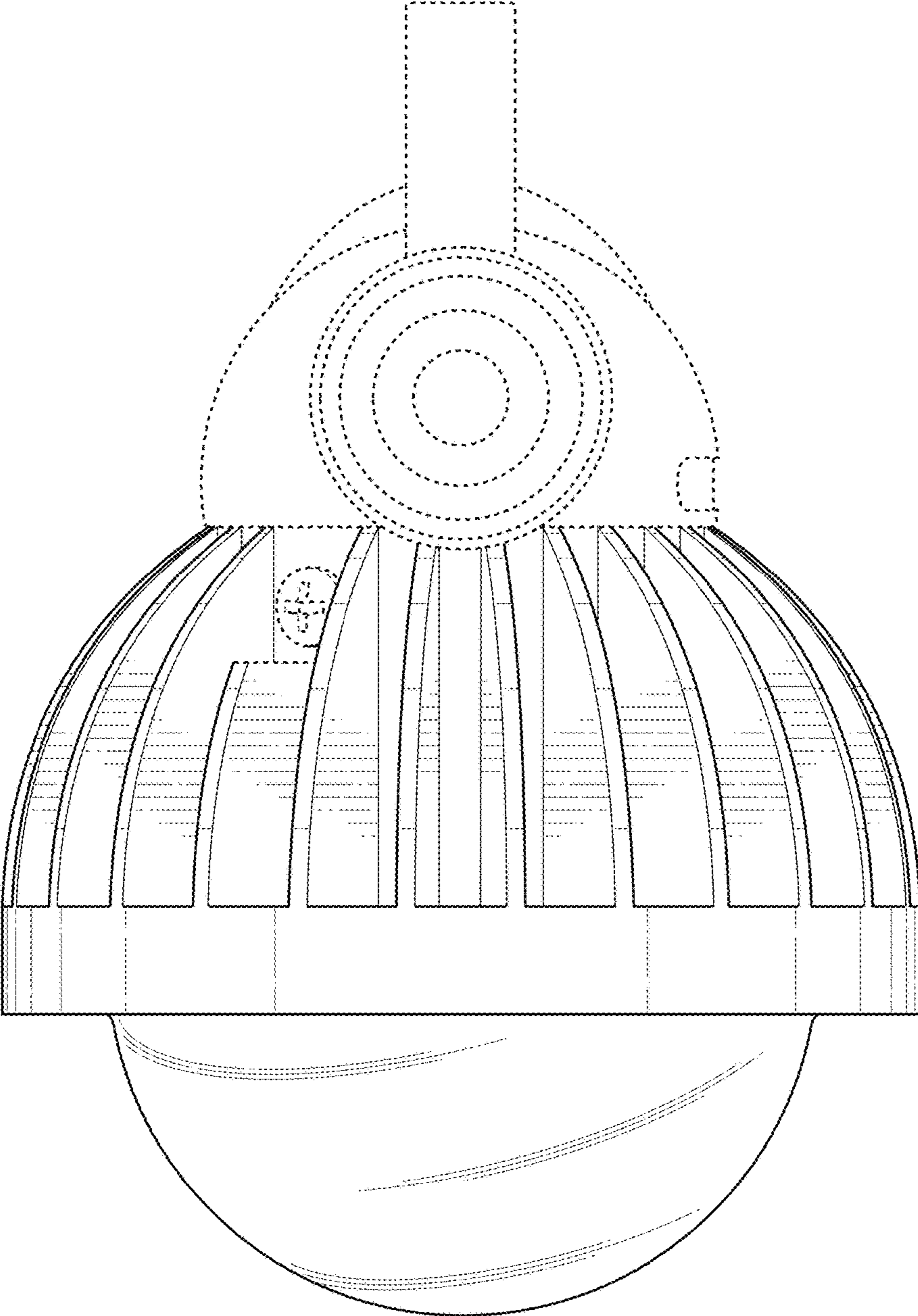


FIG. 4

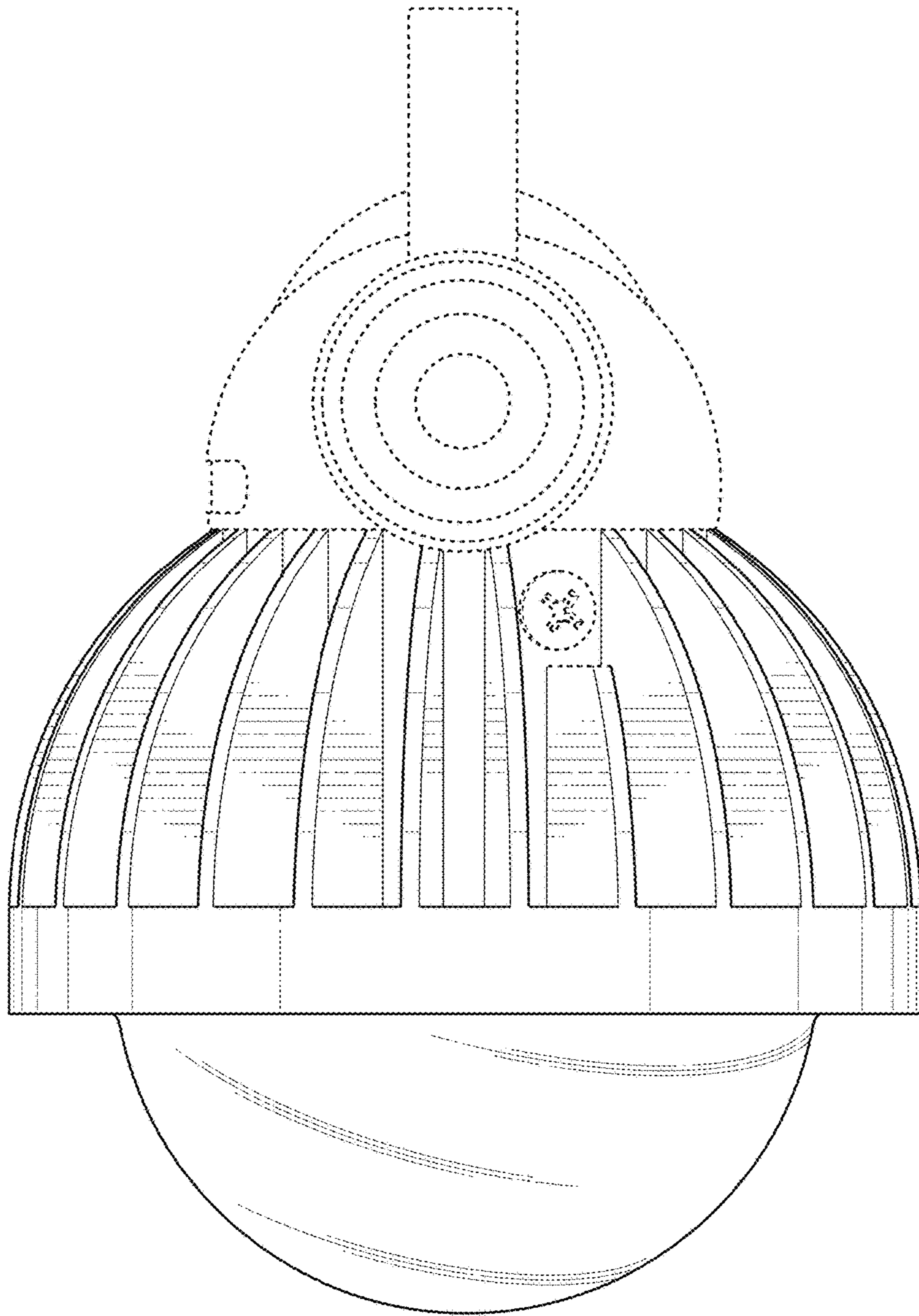


FIG. 5

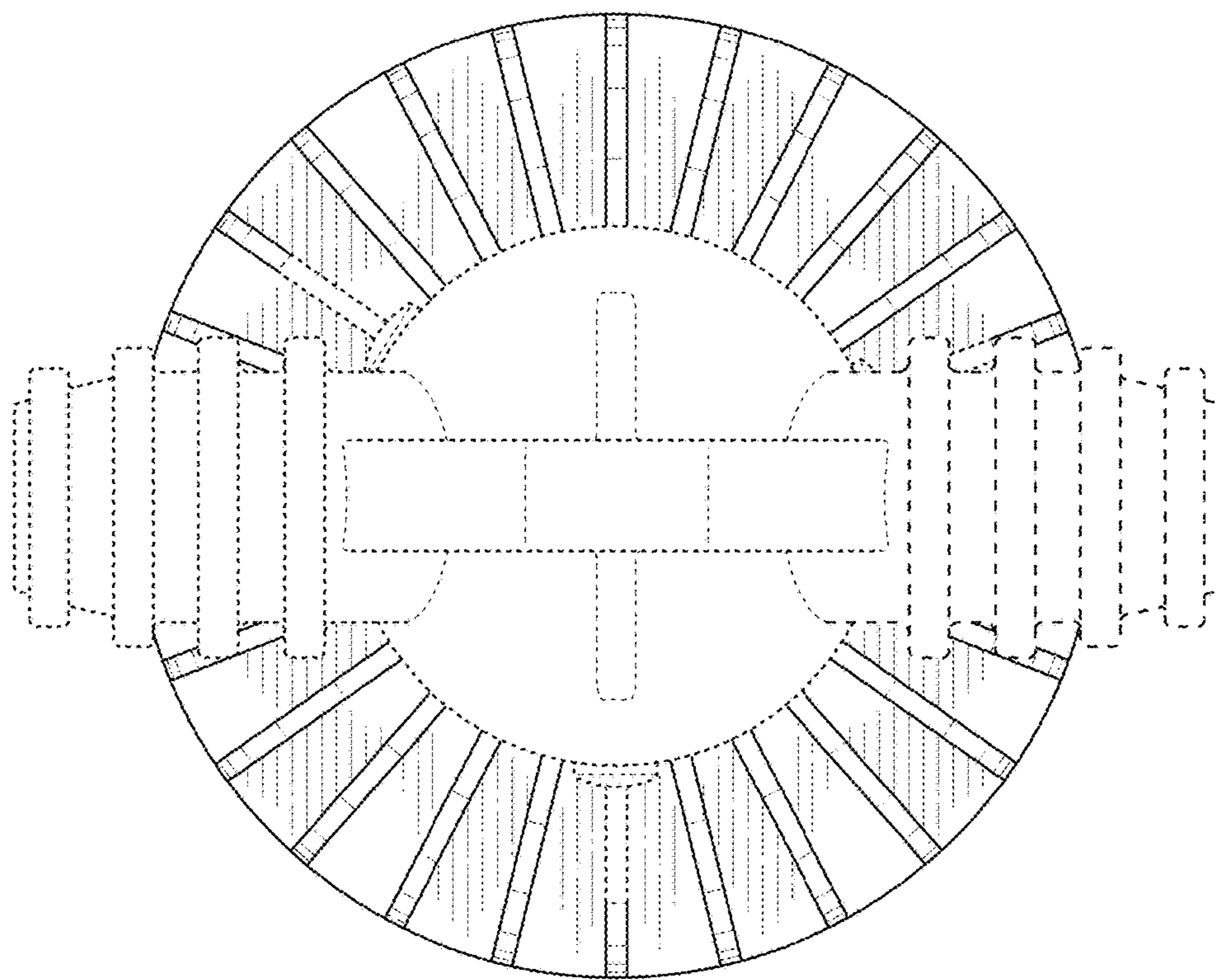


FIG. 6

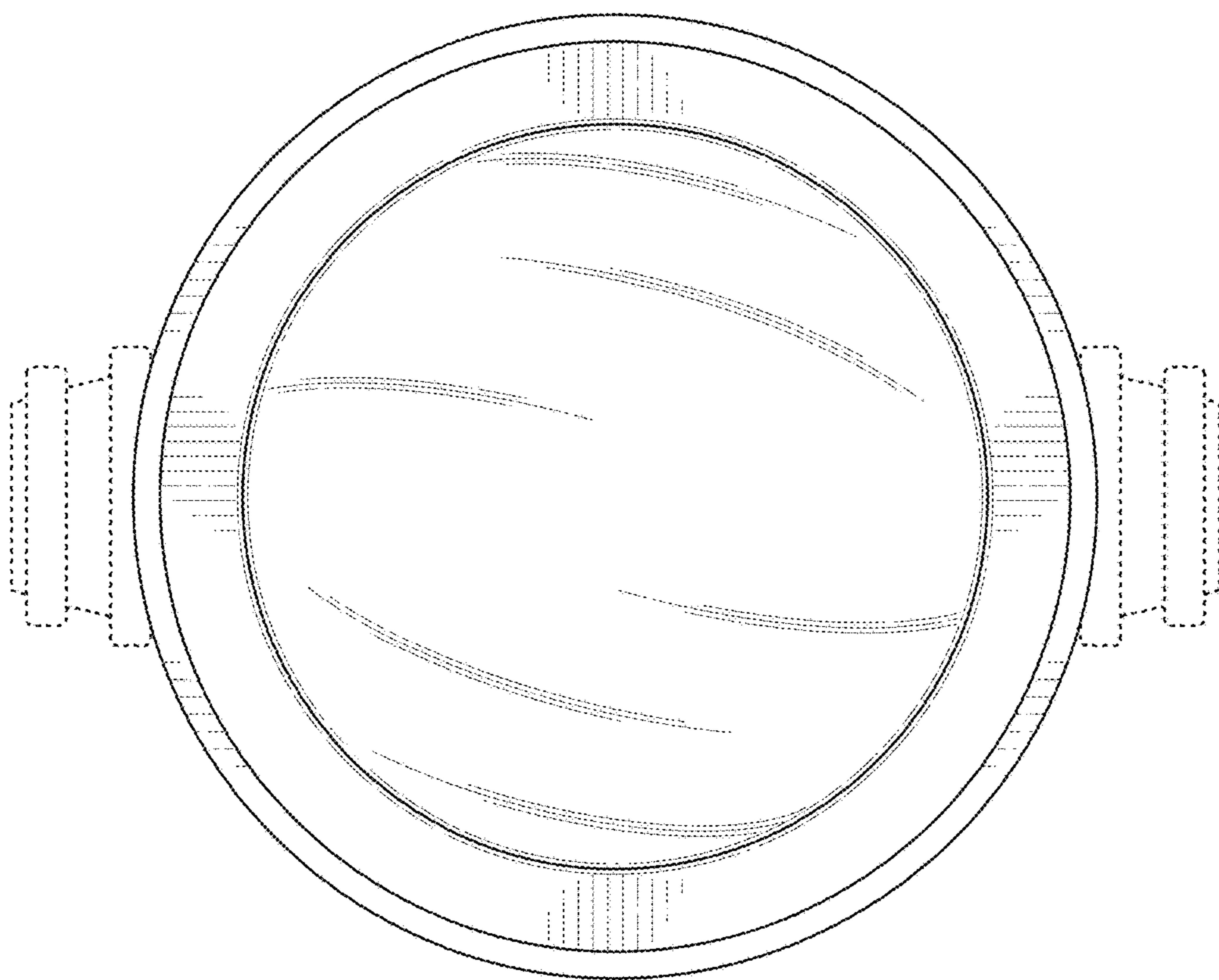


FIG. 7



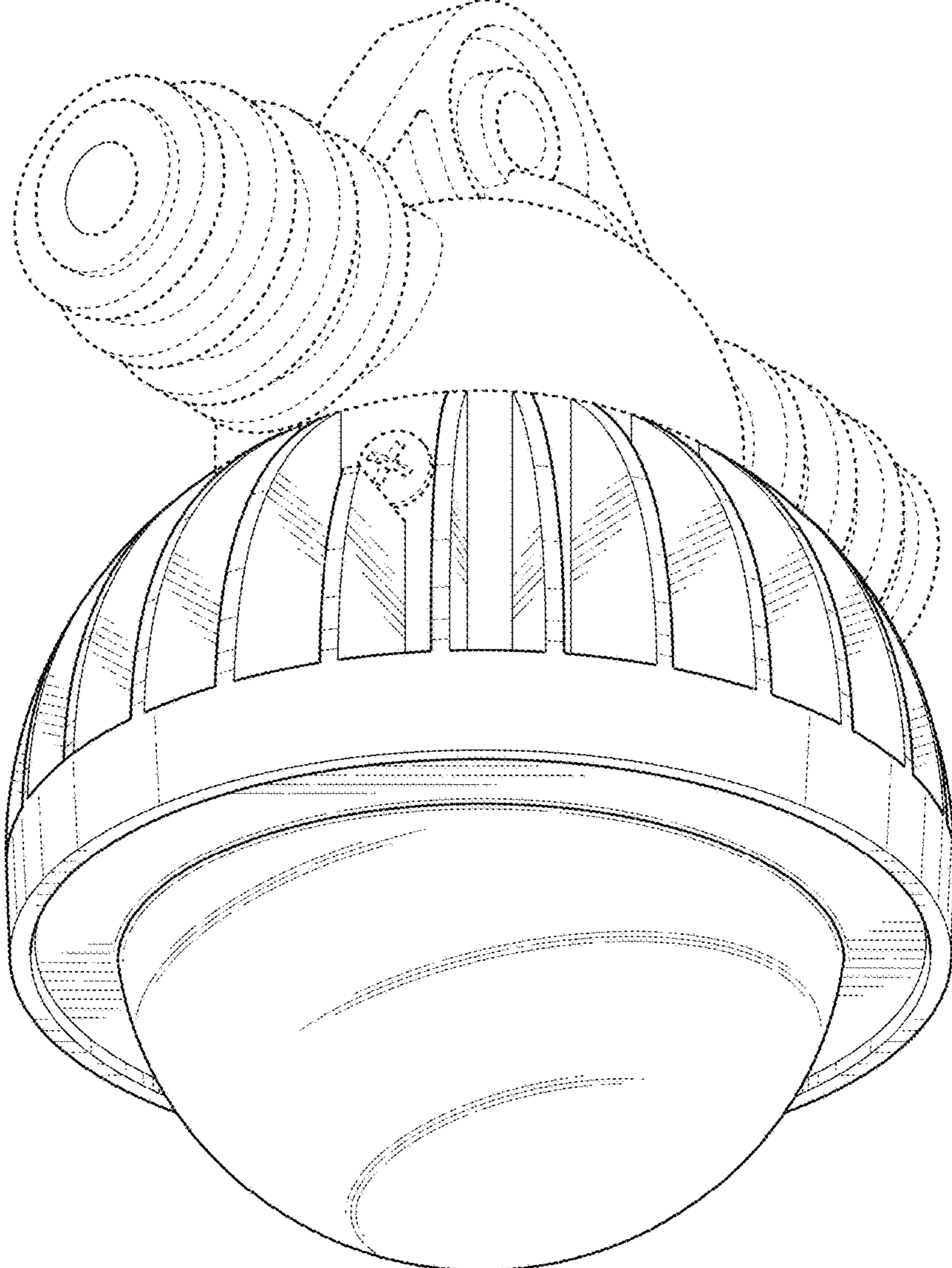


FIG. 8