



US00D832490S

(12) **United States Design Patent**
Agro

(10) **Patent No.:** **US D832,490 S**

(45) **Date of Patent:** **** Oct. 30, 2018**

(54) **LIGHTING MODULE**

(71) Applicant: **Molex, LLC**, Lisle, IL (US)

(72) Inventor: **James V. Agro**, Lisle, IL (US)

(73) Assignee: **Molex, LLC**, Lisle, IL (US)

(**) Term: **15 Years**

(21) Appl. No.: **29/589,396**

(22) Filed: **Dec. 30, 2016**

(51) **LOC (11) Cl.** **26-03**

(52) **U.S. Cl.**
USPC **D26/113**

(58) **Field of Classification Search**
USPC D26/1-6, 22, 72, 74, 78, 88, 89, 93, 106,
D26/113-116, 118, 120, 121, 138;
D13/169, 174; D22/117; D8/305-312
CPC A01G 13/06; C11C 5/006; F21L 17/00;
F21L 4/005; F23D 3/16; F23D 3/18;
F21V 33/0064; F41B 15/022; F41B
15/025

See application file for complete search history.

(56) **References Cited**

U.S. PATENT DOCUMENTS

D253,281 S * 10/1979 Kim D10/121
D321,343 S * 11/1991 Feer D14/242
D441,352 S * 5/2001 Kuo D14/217
D464,947 S * 10/2002 Hussaini D14/188
D480,696 S * 10/2003 Escorcía D14/137

D525,266 S * 7/2006 Smith D14/217
D541,792 S * 5/2007 Liu D14/240
8,136,977 B2 * 3/2012 Chiang F21V 5/02
362/391
D730,548 S * 5/2015 Elwell D26/1
D732,728 S * 6/2015 Rischau D26/113
D784,329 S * 4/2017 Zhou D14/240

OTHER PUBLICATIONS

U.S. Appl. No. 29/589,392, filed Dec. 30, 2016.

* cited by examiner

Primary Examiner — Brandon M Rosati

Assistant Examiner — John A Voytek

(74) *Attorney, Agent, or Firm* — Banner & Witcoff, Ltd.

(57) **CLAIM**

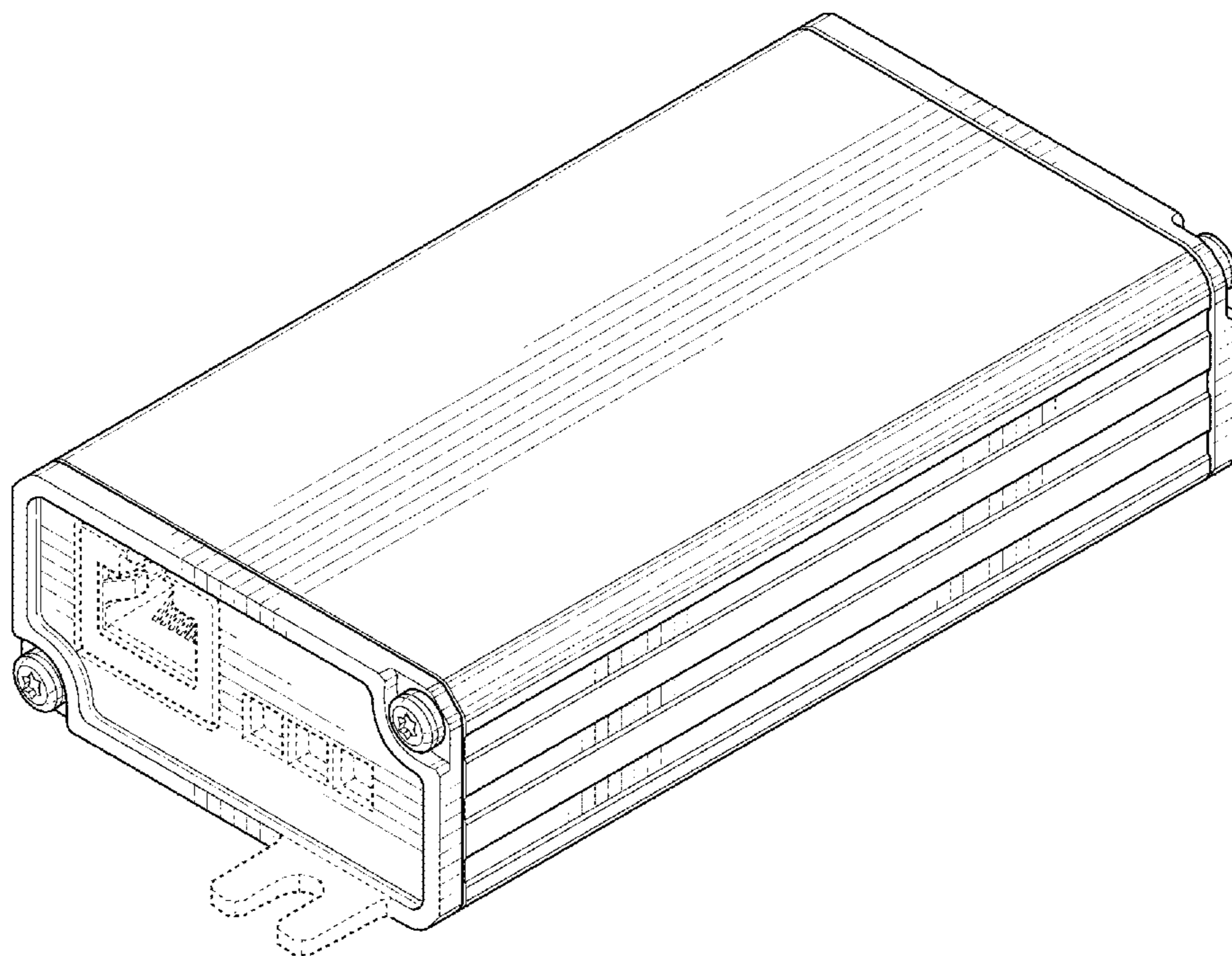
The ornamental design for a lighting module, as shown and described.

DESCRIPTION

FIG. 1 is a front perspective view of lighting module showing my new design;
FIG. 2 is a front view thereof;
FIG. 3 is a rear view thereof;
FIG. 4 is a right side view thereof;
FIG. 5 is a left side view thereof;
FIG. 6 is a top view thereof; and,
FIG. 7 is a bottom view thereof.

The broken line showing of the various unshaded regions represents unclaimed subject matter and forms no part in the claimed design.

1 Claim, 7 Drawing Sheets



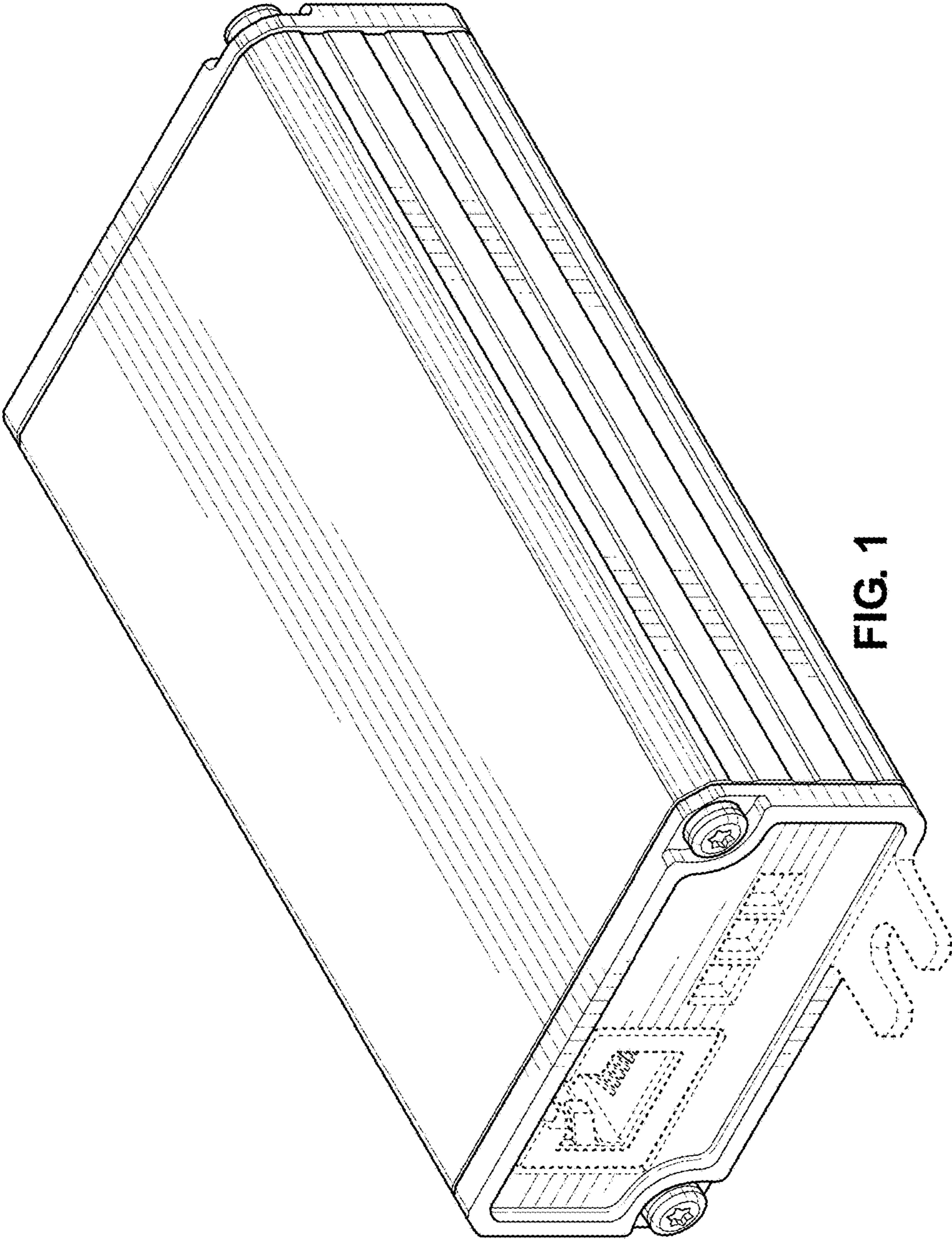


FIG. 1

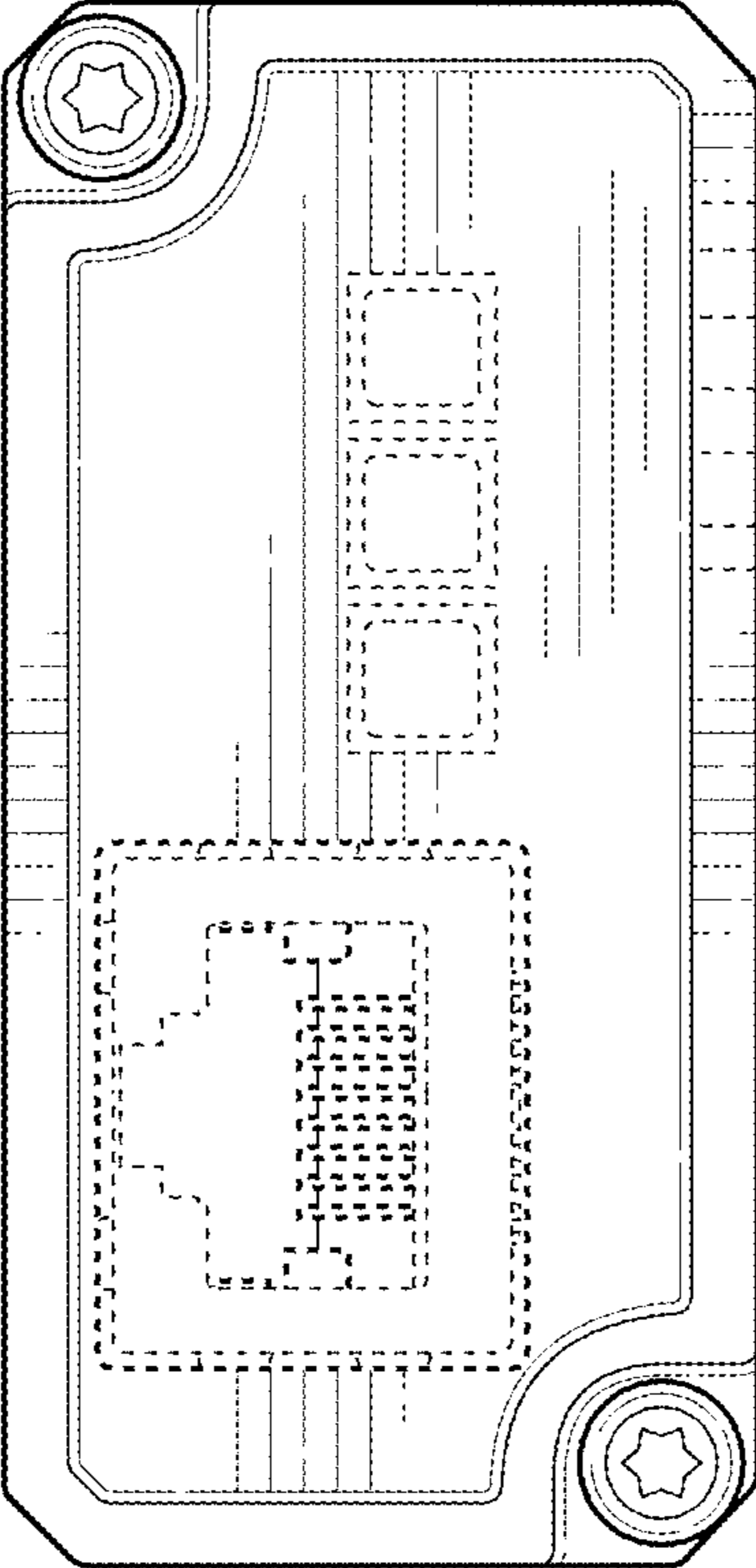


FIG. 2

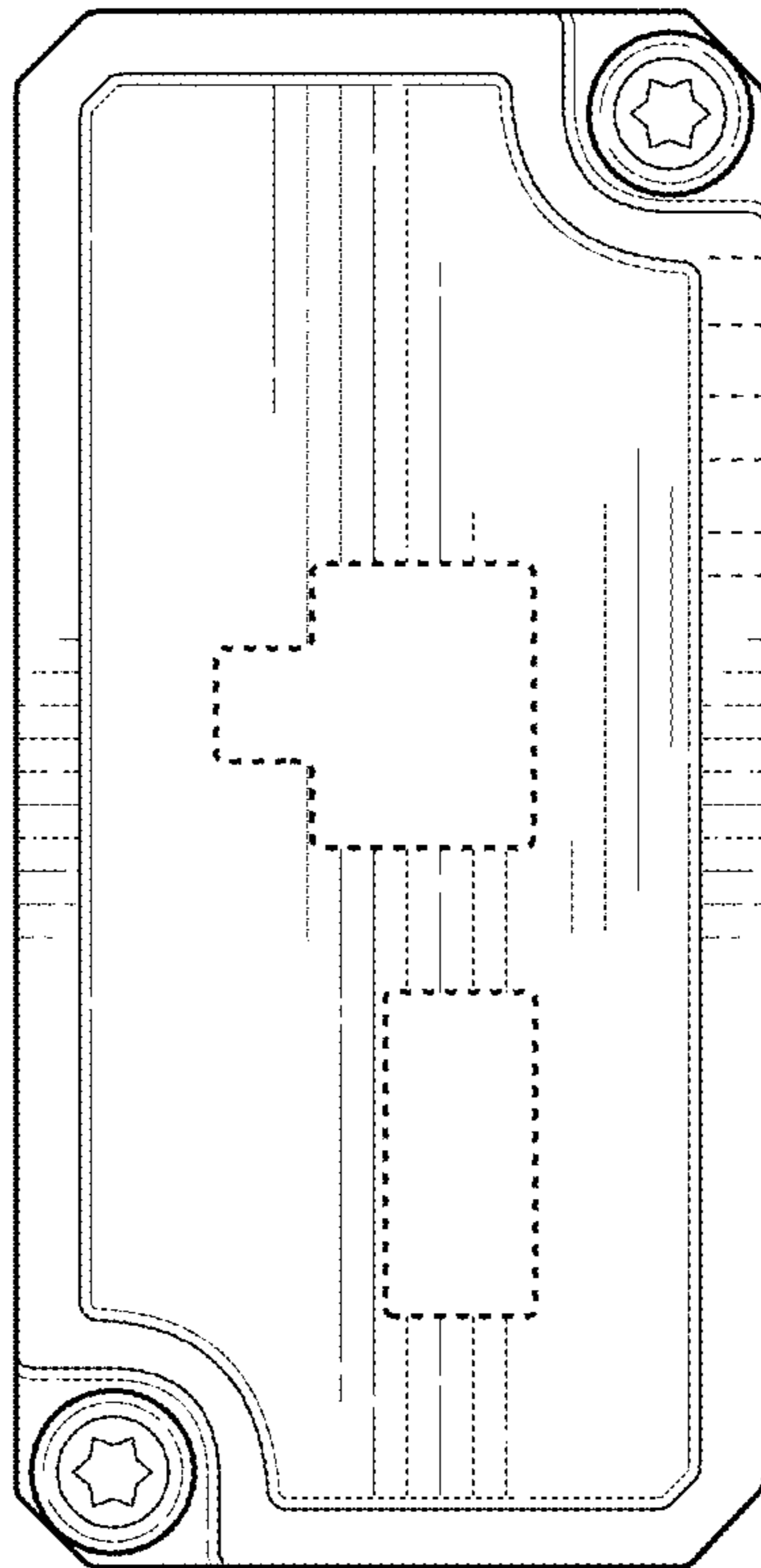


FIG. 3

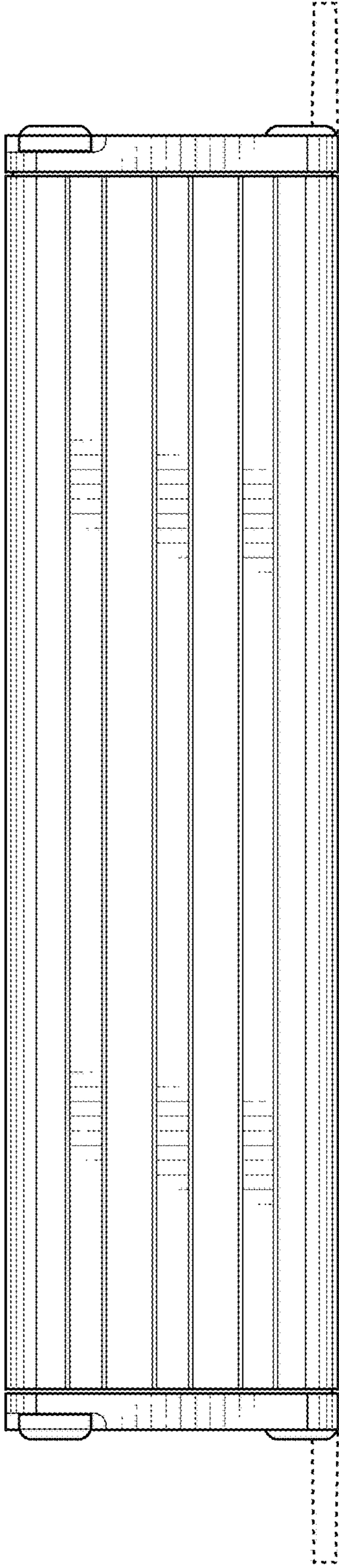


FIG. 4

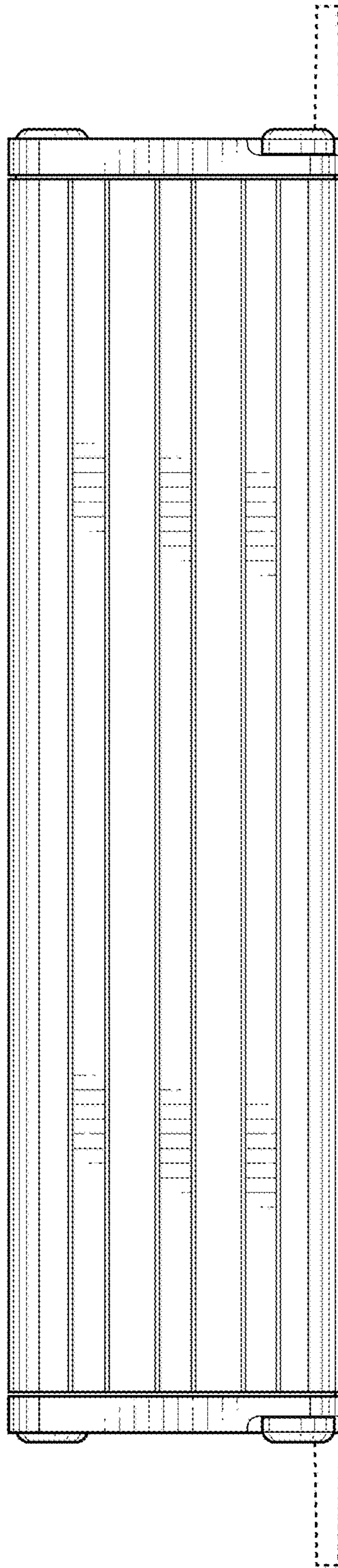


FIG. 5

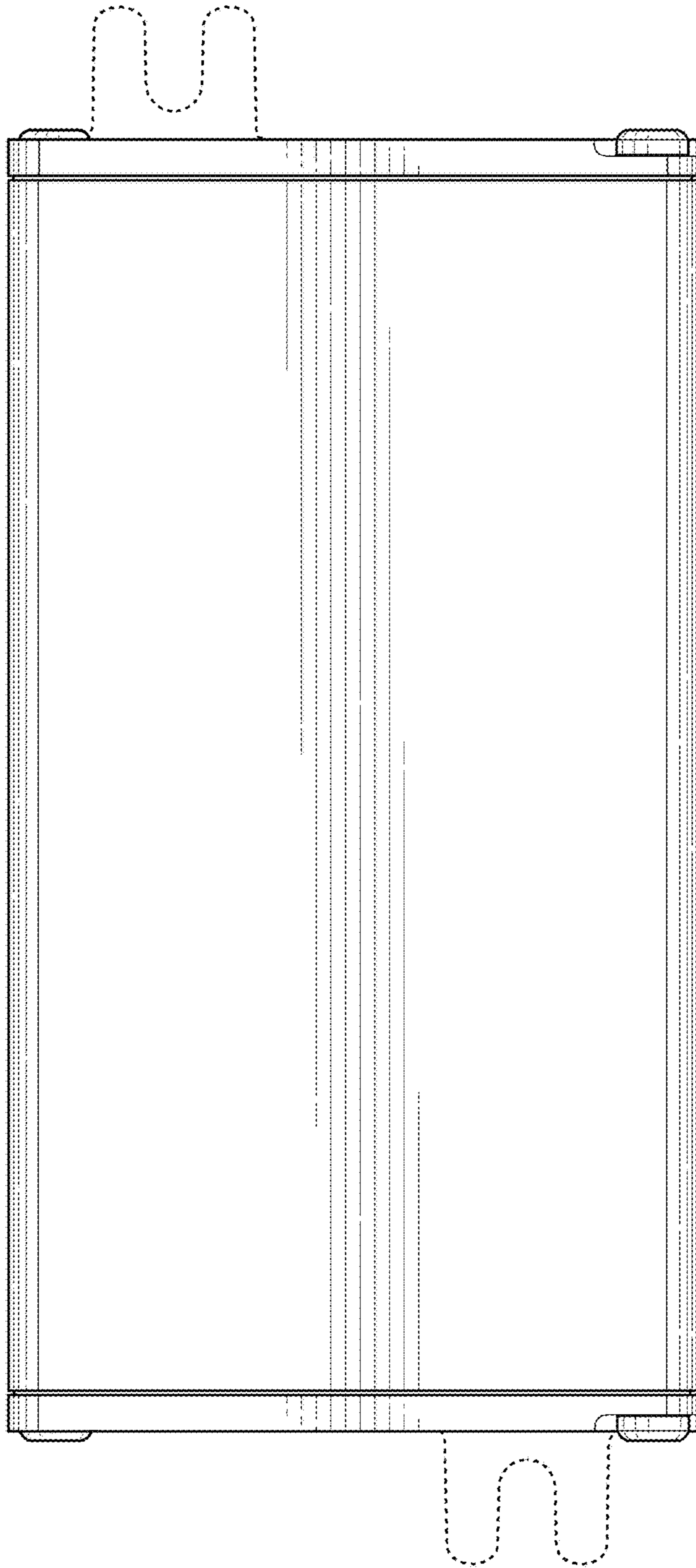


FIG. 6

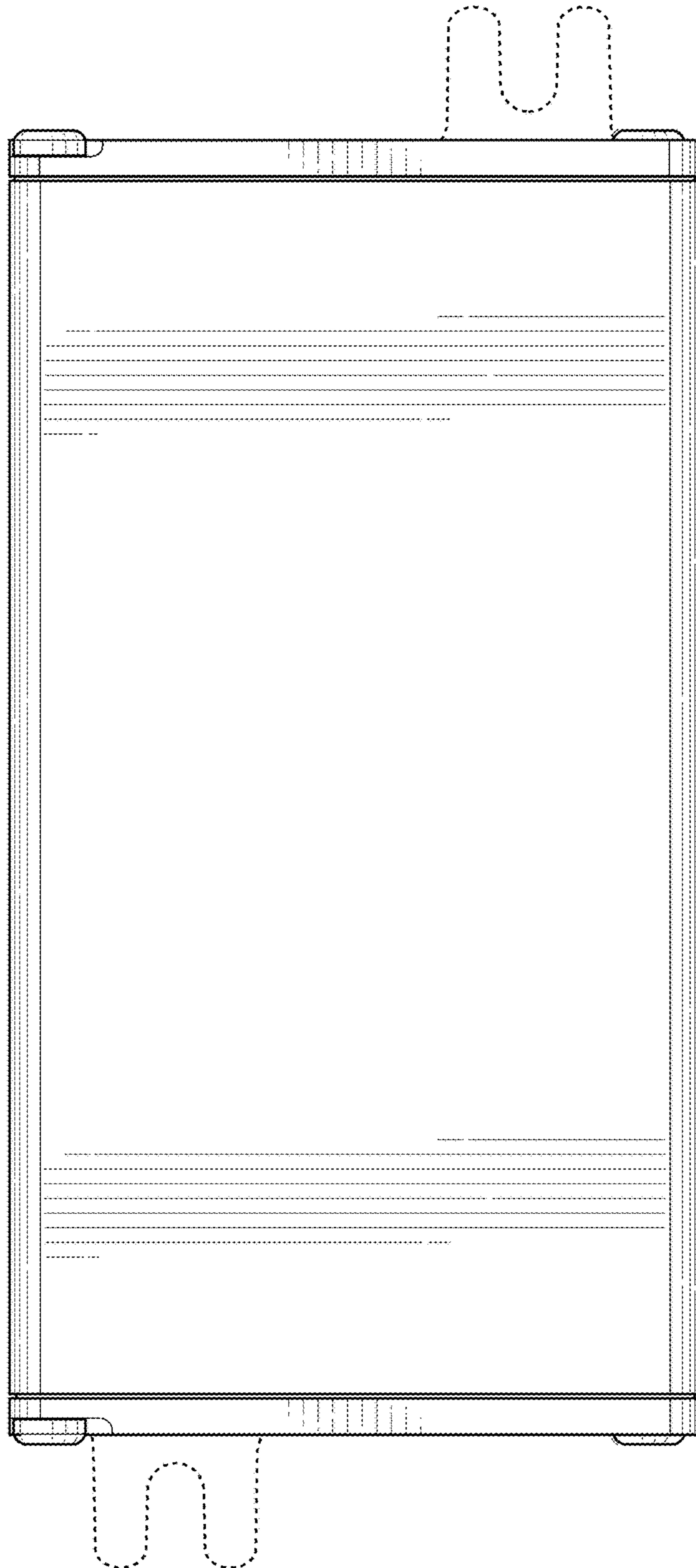


FIG. 7