



US00D832487S

(12) **United States Design Patent**
Sieczkowski et al.

(10) **Patent No.:** **US D832,487 S**

(45) **Date of Patent:** **** Oct. 30, 2018**

(54) **LIGHT FIXTURE**

(71) Applicant: **ABL IP Holding LLC**, Decatur, GA
(US)

(72) Inventors: **Philip Sieczkowski**, Lawrenceville, GA
(US); **David Zizzi**, Atlanta, GA (US);
Gautham Raj Kemparaju, Conyers,
GA (US)

(73) Assignee: **ABL IP Holding LLC**, Atlanta, GA
(US)

(**) Term: **15 Years**

(21) Appl. No.: **29/591,086**

(22) Filed: **Jan. 17, 2017**

(51) **LOC (11) Cl.** **26-05**

(52) **U.S. Cl.**
USPC **D26/89**

(58) **Field of Classification Search**
USPC D26/28, 35, 72, 74, 79–81, 83, 85, 86,
D26/88, 89, 91, 118–122

CPC F21S 8/02; F21S 8/03; F21S 8/04; F21S
8/033; F21S 8/043; F21V 21/02
See application file for complete search history.

(56) **References Cited**

U.S. PATENT DOCUMENTS

6,929,389	B1 *	8/2005	Rhee	F21S 8/04 362/147
D514,248	S *	1/2006	Rhee	D26/138
D567,931	S *	4/2008	Hollingsworth	D23/388
D574,995	S *	8/2008	Boyer	D26/120
7,500,760	B2	3/2009	Byrne	
D635,238	S *	3/2011	Zakula	D23/388
7,959,332	B2	6/2011	Tickner et al.	
8,109,654	B2	2/2012	Mo	
8,201,968	B2	6/2012	Maxik et al.	
8,272,765	B2	9/2012	Ter-Hovhannisyan	
D668,374	S *	10/2012	Wauters	D26/89

D668,375	S *	10/2012	Daniels	D26/89
D674,524	S *	1/2013	Davies	D26/28
D722,194	S *	2/2015	Guercio	D26/89
D722,195	S *	2/2015	Highbridge	D26/89
D751,236	S *	3/2016	Renshaw	D26/89

(Continued)

OTHER PUBLICATIONS

Wide Outdoor Flushmount Ceiling Fixture (available online) Retrieved from the internet Jun. 21, 2018 from URL: <https://www.lightingdirect.com/plc-lighting-2720-2-light-15-wide-outdoor-flushmount-ceiling-fixture-from-the-clarendon-collection/p2737786>.*

(Continued)

Primary Examiner — Kevin K Rudzinski

Assistant Examiner — Richard Kearney

(74) *Attorney, Agent, or Firm* — Kilpatrick Townsend & Stockton, LLP

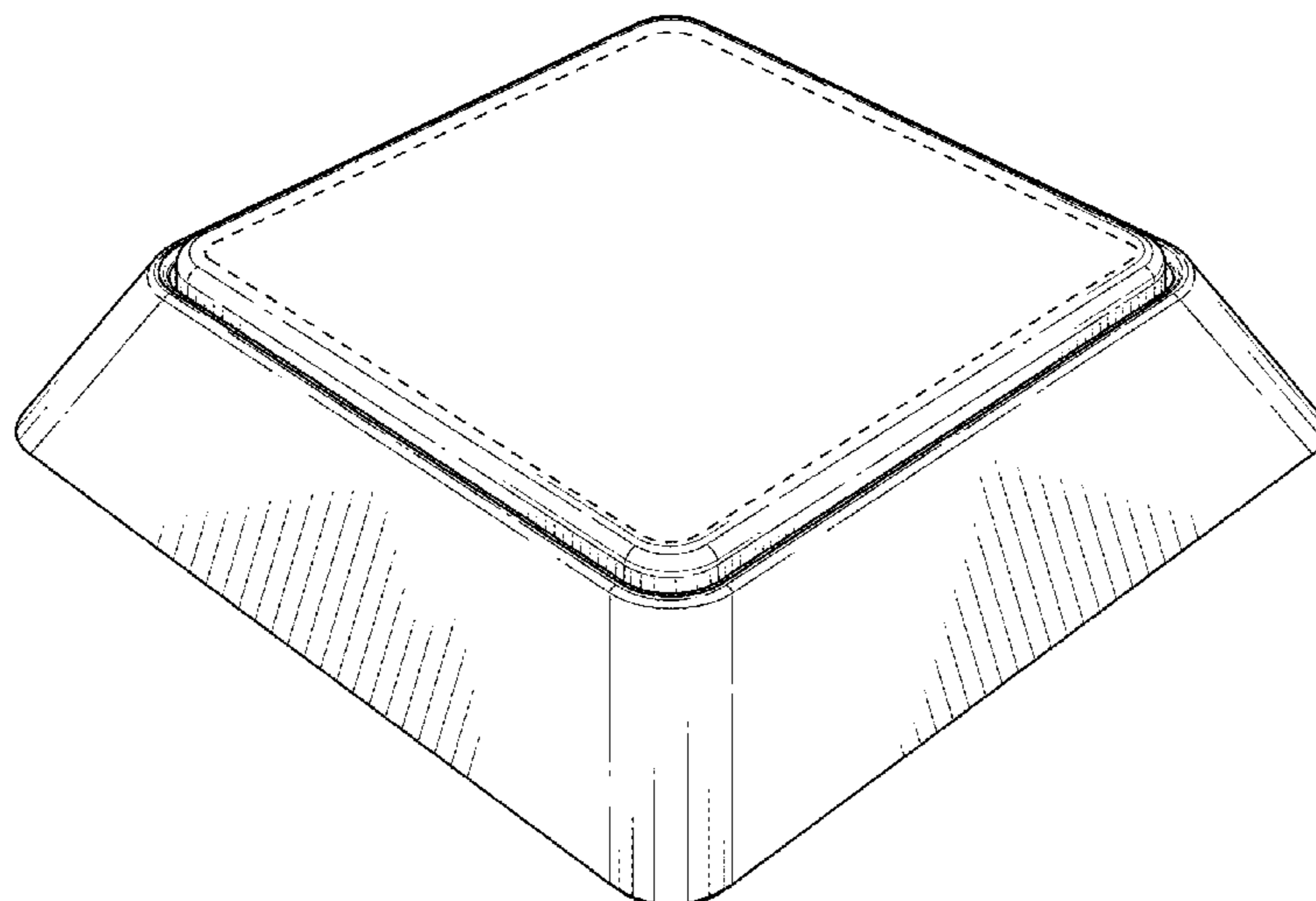
(57) **CLAIM**

The ornamental design for a light fixture, as shown and described.

DESCRIPTION

FIG. 1 is a top perspective view of a light fixture. FIG. 2 is a front elevation view of the light fixture of FIG. 1, it being understood that the rear elevation view is identical to the front elevation view. FIG. 3 is a right side elevation view of the light fixture of FIG. 1, it being understood that the left side elevation view is identical to the right side elevation view. FIG. 4 is a top plan view of the light fixture of FIG. 1; and, FIG. 5 is a bottom plan view of the light fixture of FIG. 1. Portions or features of the light fixture not shown in the drawings form no part of the claimed design. The evenly dotted broken lines in the drawings represent borders of unclaimed portions of the design and form no part of the claimed design.

1 Claim, 4 Drawing Sheets



(56)

References Cited

U.S. PATENT DOCUMENTS

D751,752 S * 3/2016 Dodge D26/120
D785,230 S * 4/2017 Shundong D26/89
9,702,533 B1 7/2017 Harpenau et al.
9,890,941 B2 2/2018 Boomgaarden et al.
9,903,569 B2 2/2018 O'Brien et al.
2006/0215408 A1 9/2006 Lee
2011/0080727 A1 4/2011 Maxik et al.
2015/0043224 A1 2/2015 Chen

OTHER PUBLICATIONS

White Squares Fluorescent Ceiling Fixture (available online) Retrieved from the internet Jun. 21, 2018 from URL: <https://www.lightingdirect.com/progress-lighting-p7182-squares-fluorescent-ceiling-fixture/p358770>.*

U.S. Appl. No. 15/407,339, "Non-Final Office Action," dated Mar. 26, 2018, 17 pages.

Ilsung Ltd., "DFR 120V LED Low Profile Surface Recess Disk Light," (Available at least on Sep. 2015), 1 page.

Lighting Science Group, "Changes the Way the World Experiences Light, 4" Glimpse" (Available at least on Nov. 2012), 2 pages.

Lighting Science Group, "Changing the Way the World Experiences Light, 6:" Glimpse" (Available at least on Nov. 2012), 2 pages.

Maxlite, "Product Focus: Faux-Can Energy Saving Fixtures for New Construction or Retrofit of Existing Recessed Cans," Mar. 12, 2007, 3 pages.

Nicor, Inc., "DLS56 1200lm Surface Mount LED Downlight," Jan. 29, 2015, 2 pages.

Maxim, Assembly Instruction for 87615/87617/87620, <http://www.maximlighting.com/product/indoor-lighting/flush-mounts/Convert-LED-Flush-Mount/87620WTWT#tab-2> (Available at least on Jan. 2017), (1 page).

* cited by examiner

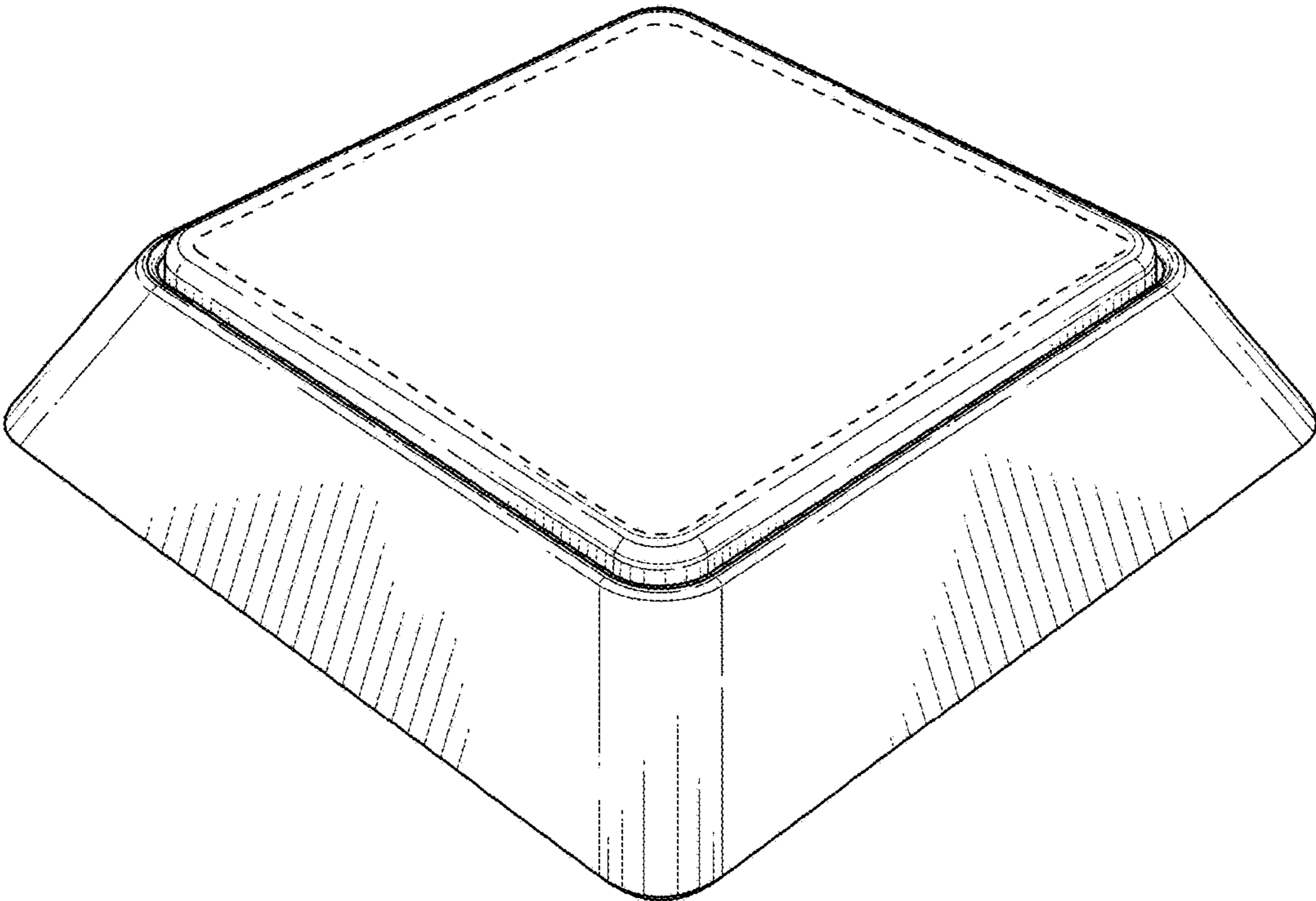


FIG. 1

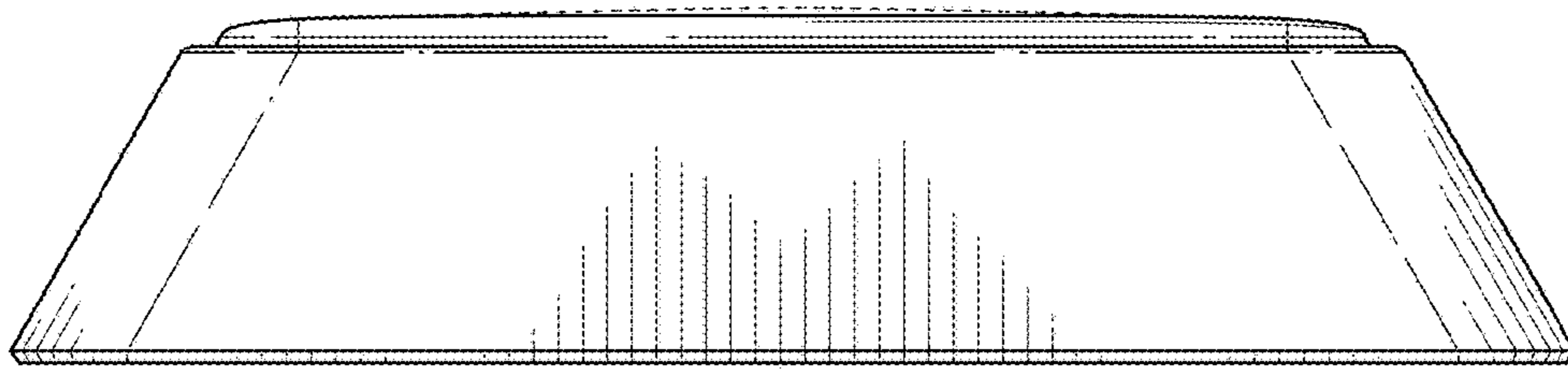


FIG. 2

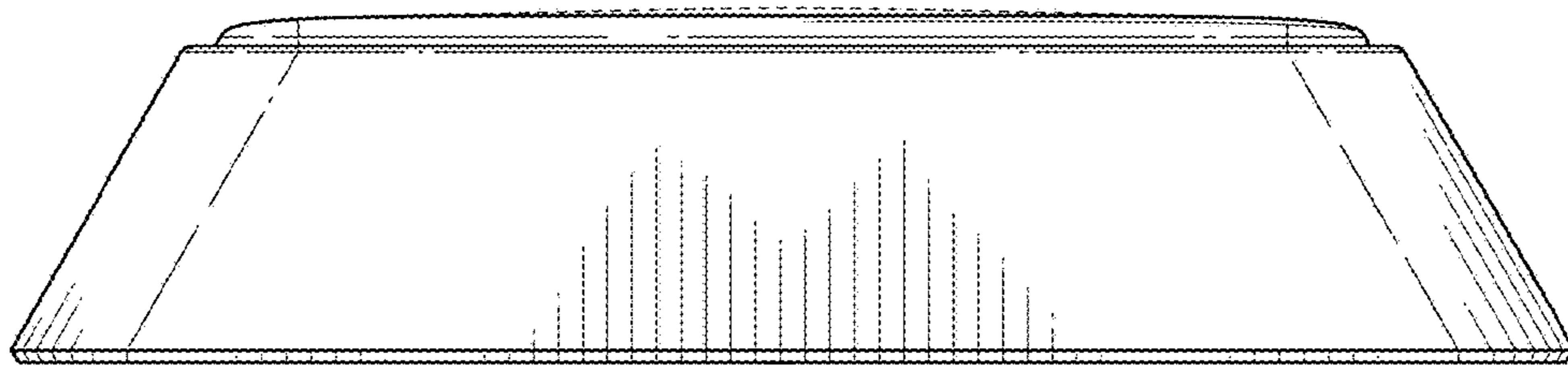


FIG. 3

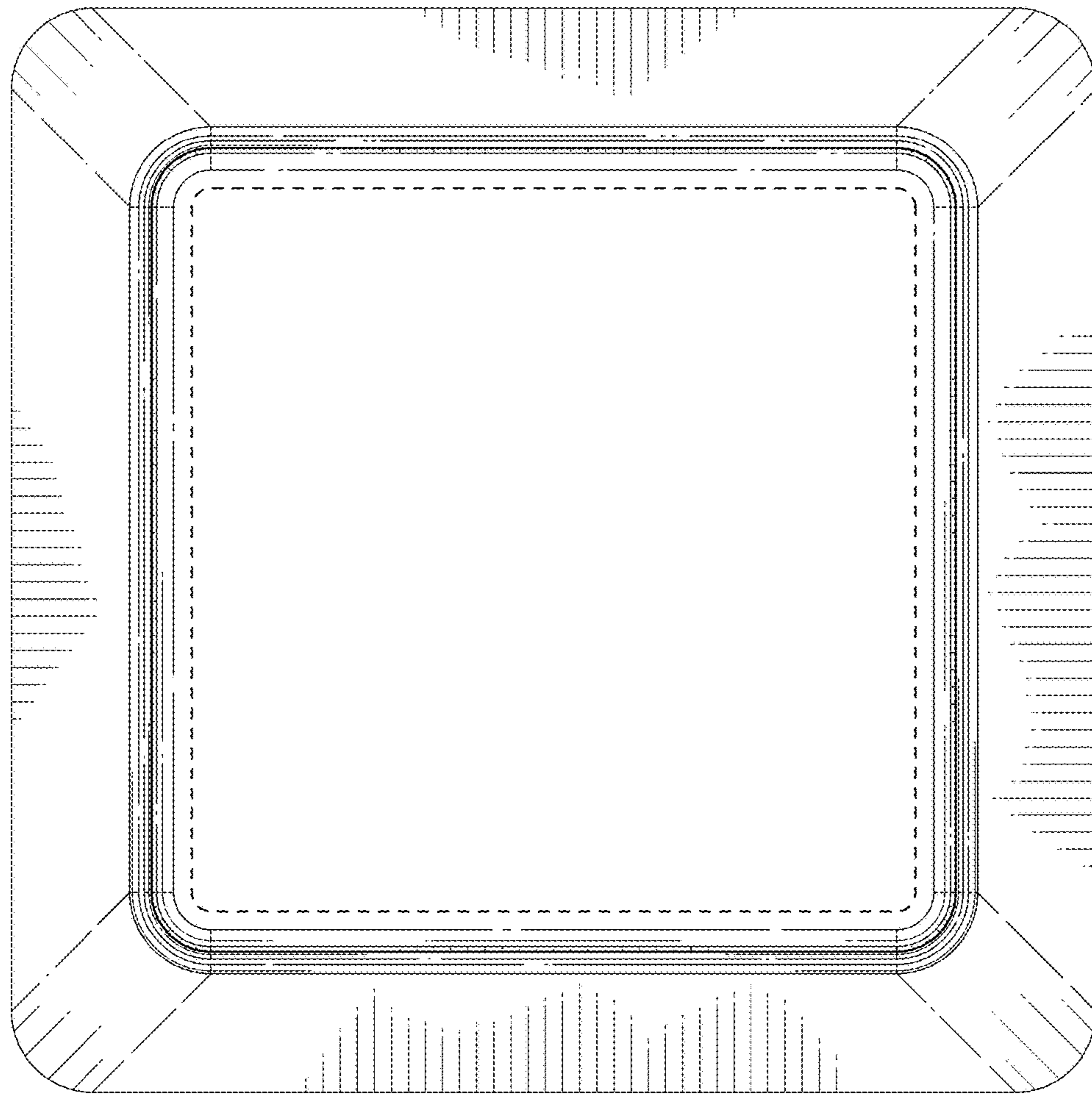


FIG. 4

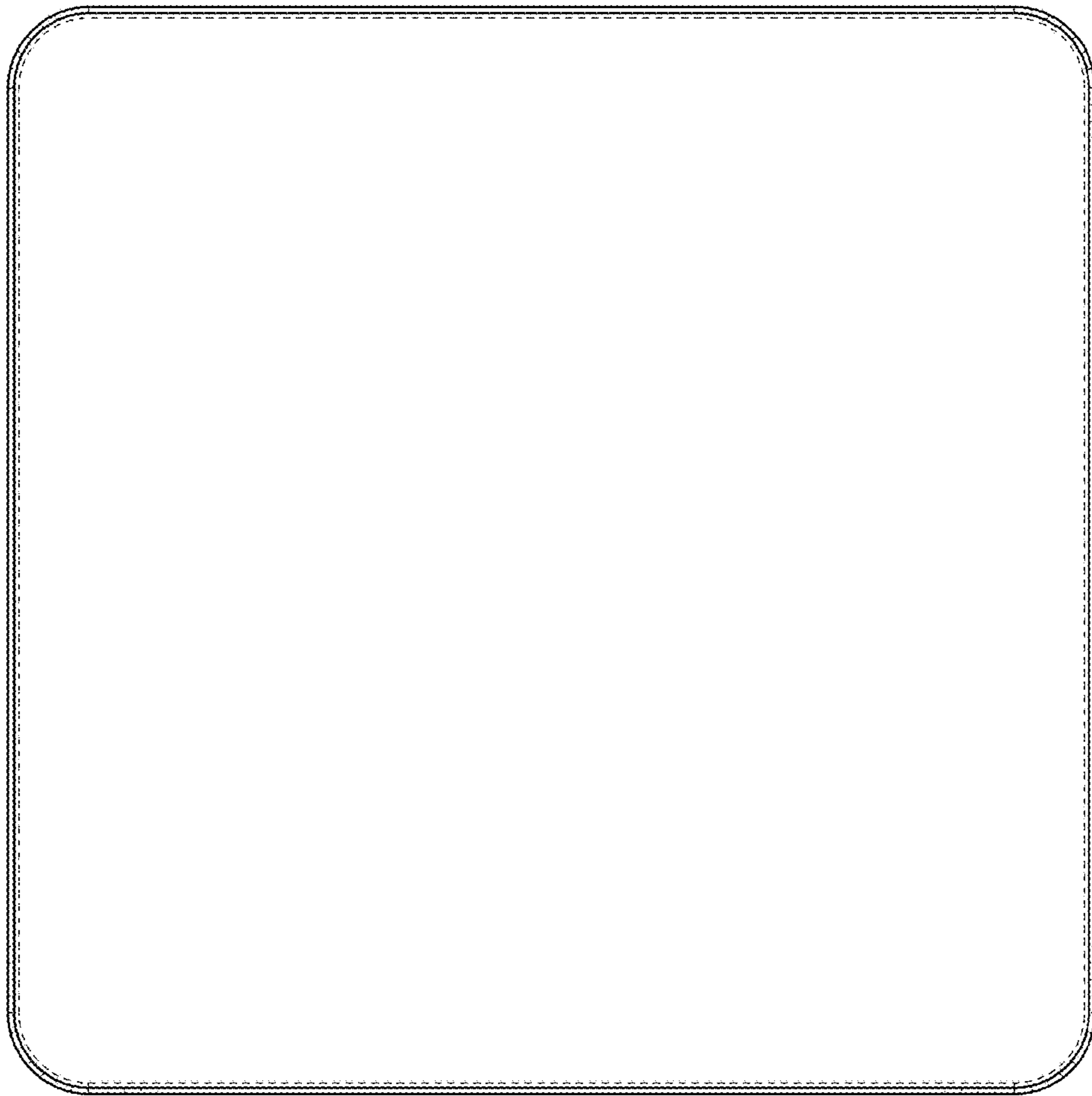


FIG. 5