



US00D832485S

(12) **United States Design Patent** (10) **Patent No.:** **US D832,485 S**
Lopez (45) **Date of Patent:** **** Oct. 30, 2018**

(54) **UNDER CABINET LIGHT**
(71) Applicant: **JOBAR INTERNATIONAL, INC.**,
Carson, CA (US)
(72) Inventor: **Octavio Lopez**, San Pedro, CA (US)
(73) Assignee: **JOBAR INTERNATIONAL, INC.**,
Carson, CA (US)
(**) Term: **15 Years**

D603,080 S * 10/2009 Benensohn D26/61
D603,549 S * 11/2009 Ng D26/80
D603,997 S * 11/2009 Shiu D26/72
D612,973 S * 3/2010 Munstermann D26/80
D631,595 S * 1/2011 Carroll D26/85
D633,244 S * 2/2011 Kramer D26/80
D633,641 S * 3/2011 Wauters D26/76
D642,726 S * 8/2011 Khubani D26/37
D684,718 S * 6/2013 Ko D26/72
D691,762 S * 10/2013 Sieczkowski D26/89
9,512,969 B1 * 12/2016 Watson G03B 15/02

(Continued)

(21) Appl. No.: **29/583,175**
(22) Filed: **Nov. 2, 2016**
(51) **LOC (11) Cl.** **26-03**
(52) **U.S. Cl.**
USPC **D26/72**
(58) **Field of Classification Search**
USPC D26/37, 72, 76, 80, 85, 89, 90
CPC F21S 8/03; F21S 8/033; F21S 8/04; F21S
8/06; F21S 8/061; F21S 8/063; F21W
2131/301; F21V 21/08; F21V 21/0808;
F21V 21/096; F21V 21/0965
See application file for complete search history.

OTHER PUBLICATIONS

Good Earth Lighting, Inc., Good Earth Lighting G9112-WH-I,
Sunrise 2-Light 20-Watt Halogen Undercabinet Lighting Bar with
Dimmer, White.

(Continued)

Primary Examiner — Clare E Heflin
(74) *Attorney, Agent, or Firm* — Lewis Roca Rothgerber
Christie LLP

(57) **CLAIM**

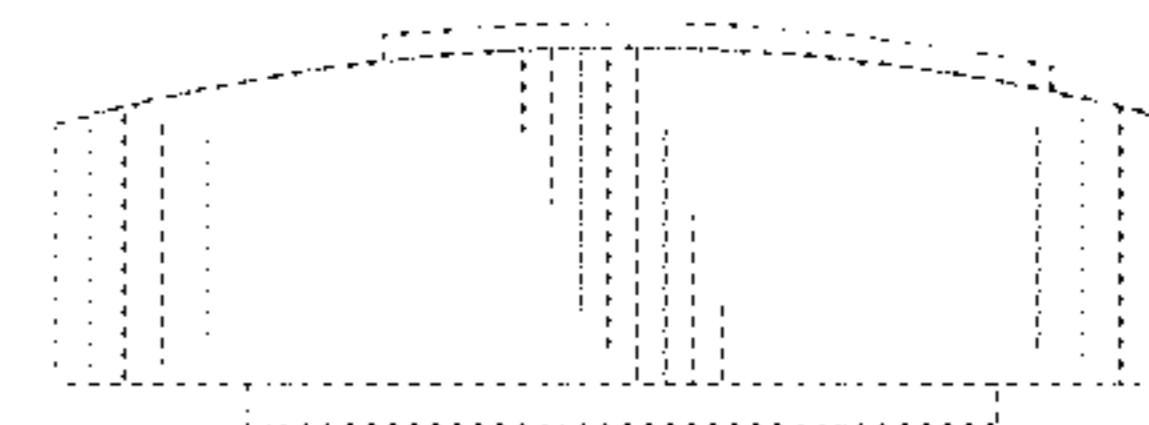
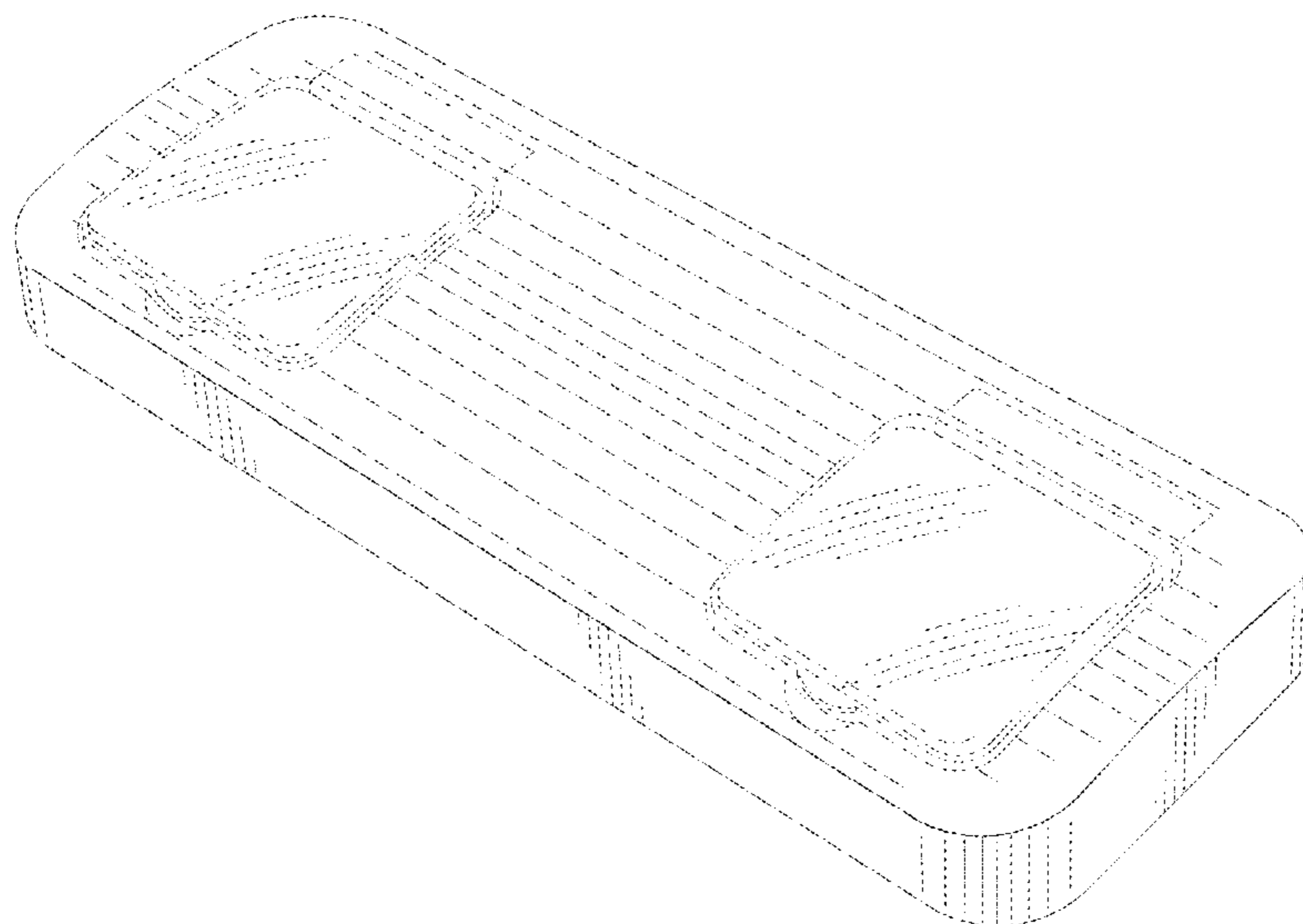
The ornamental design for the under cabinet light, as shown
and described.

(56) **References Cited**
U.S. PATENT DOCUMENTS
D118,749 S * 1/1940 Zimmerman D26/120
D134,349 S * 11/1942 Cadwallader D26/120
D359,374 S * 6/1995 Weinstock D26/80
D374,737 S * 10/1996 Can D26/80
D404,159 S * 1/1999 Klaus D26/72
6,050,708 A * 4/2000 Roorda F21S 8/00
362/133
D464,457 S * 10/2002 Echito D26/76
D493,565 S * 7/2004 Smith D26/76
D565,234 S * 3/2008 Pfund D26/76
D572,399 S * 7/2008 Pfund D26/142
D578,246 S * 10/2008 Levine F21V 33/0012
D26/113
D602,628 S * 10/2009 Benensohn D26/61

DESCRIPTION

FIG. 1 is a perspective view of my under cabinet light
design;
FIG. 2 is a top view thereof;
FIG. 3 is a front view thereof;
FIG. 4 is a rear view thereof;
FIG. 5 is a bottom view thereof;
FIG. 6 is a left view thereof; and,
FIG. 7 is a right view thereof.
The broken lines shown on the drawings depict portions of
the under cabinet light that form no part of the claimed
design.

1 Claim, 4 Drawing Sheets



(56)

References Cited

U.S. PATENT DOCUMENTS

D783,194 S * 4/2017 Camarota D26/89
2016/0223174 A1* 8/2016 Inscore F21V 23/005
2016/0282539 A1* 9/2016 Li G02B 6/0038
2018/0017221 A9* 1/2018 Pearson F21S 8/033

OTHER PUBLICATIONS

Rite Lite, LED White Wireless Under Cabinet Light with Remote Control, Model # LPL700WRC.

Rite Lite, Battery-Operated LED Under-Cabinet Track Light, Model # LPL704.

Image 1 of Under Cabinet Light.

Image 2 of Under Cabinet Light.

* cited by examiner

FIG. 1

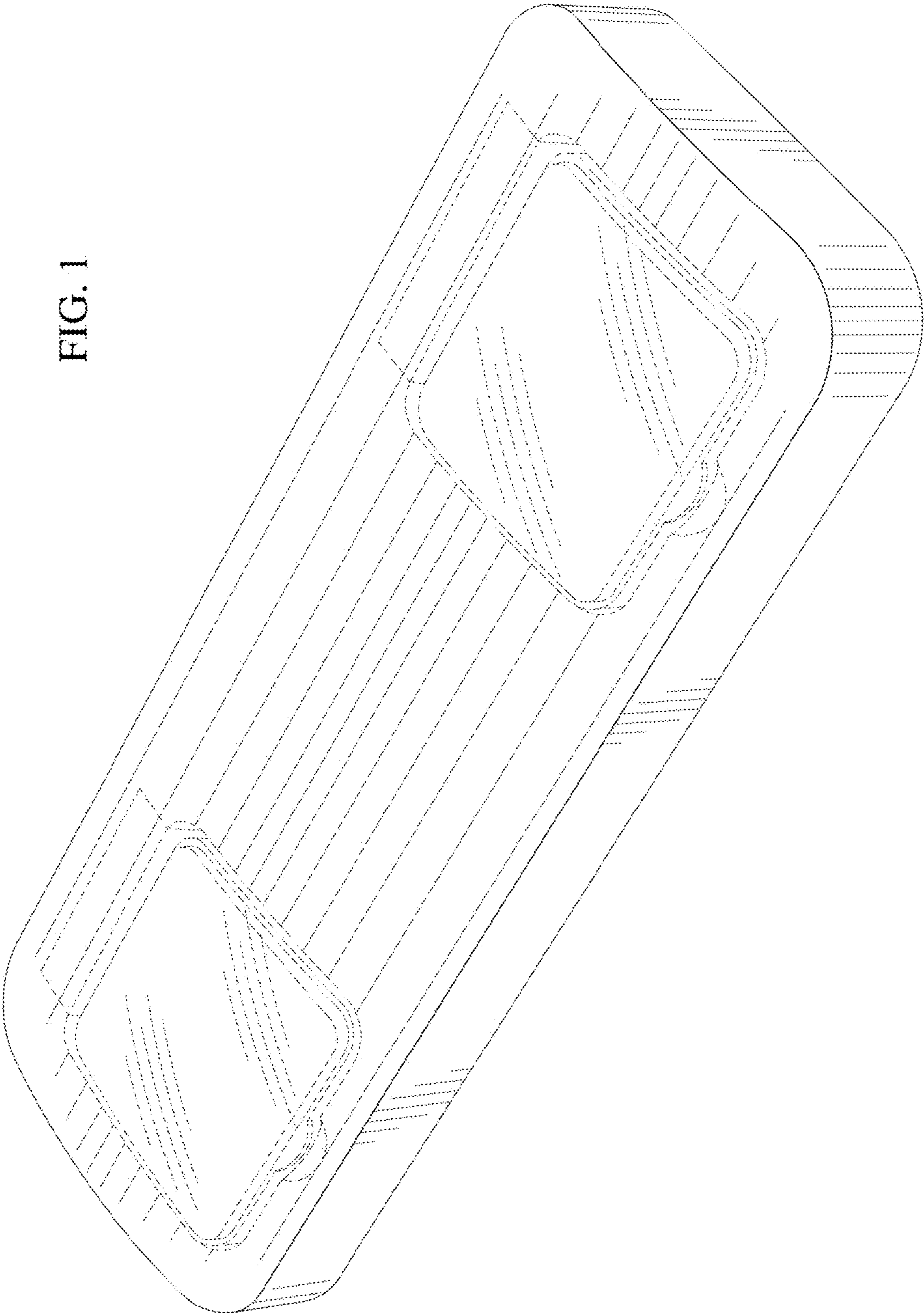


FIG. 2

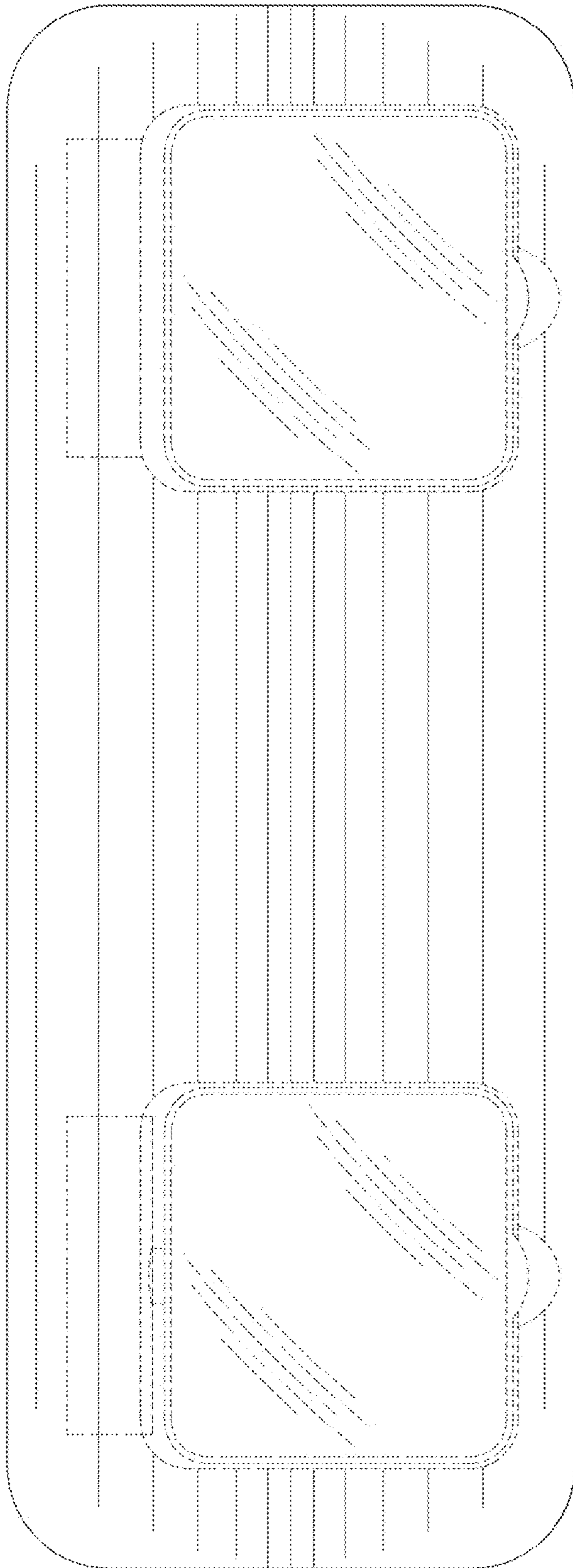


FIG. 3

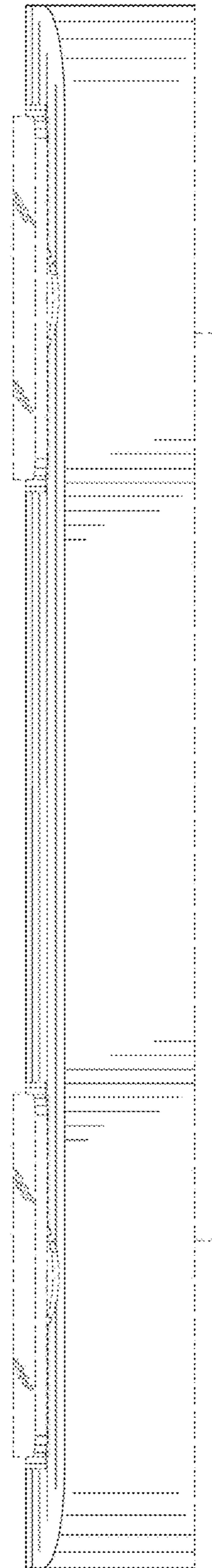


FIG. 4

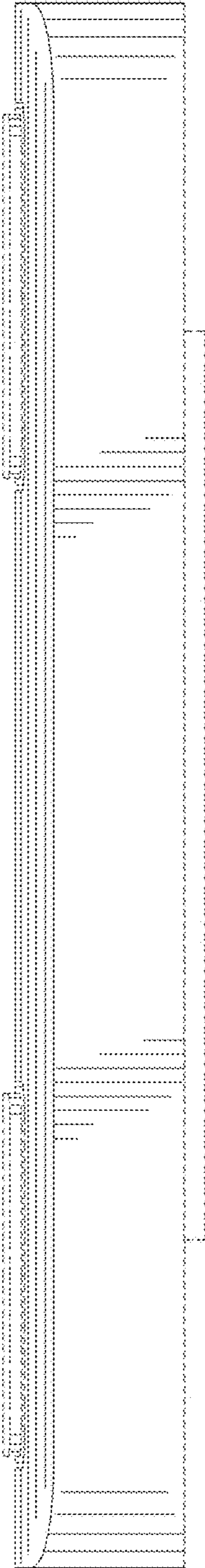


FIG. 5

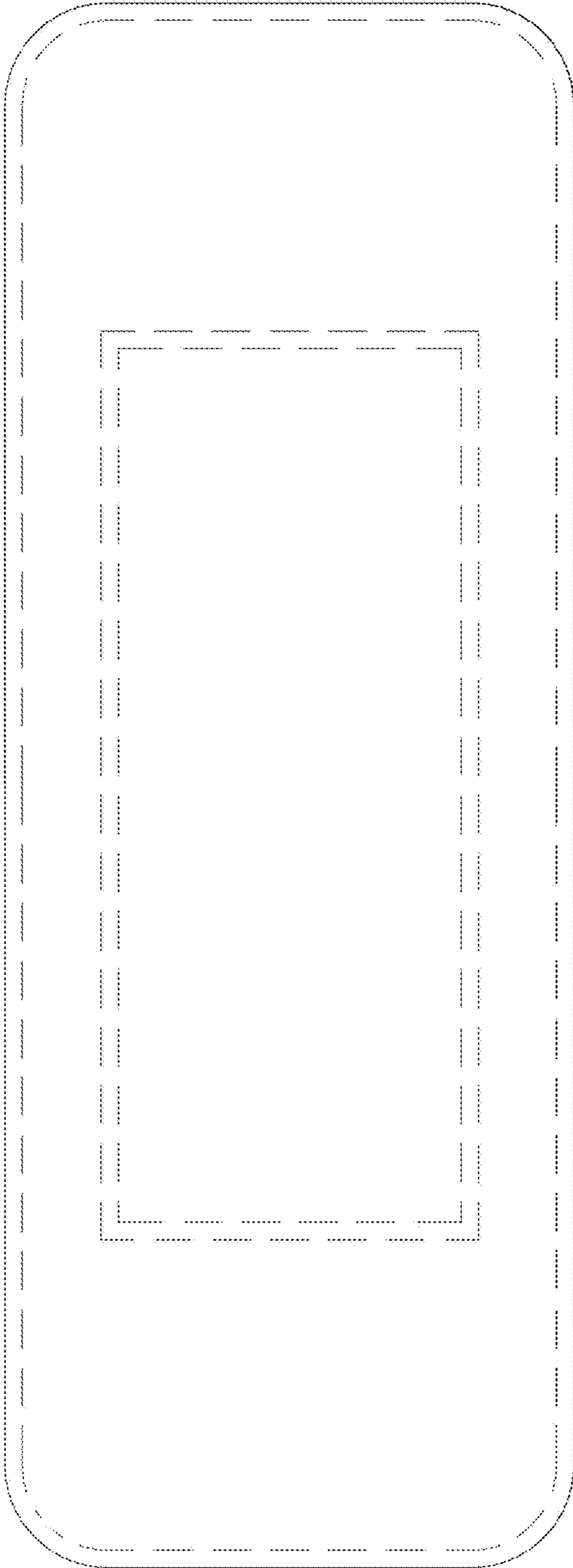


FIG. 7

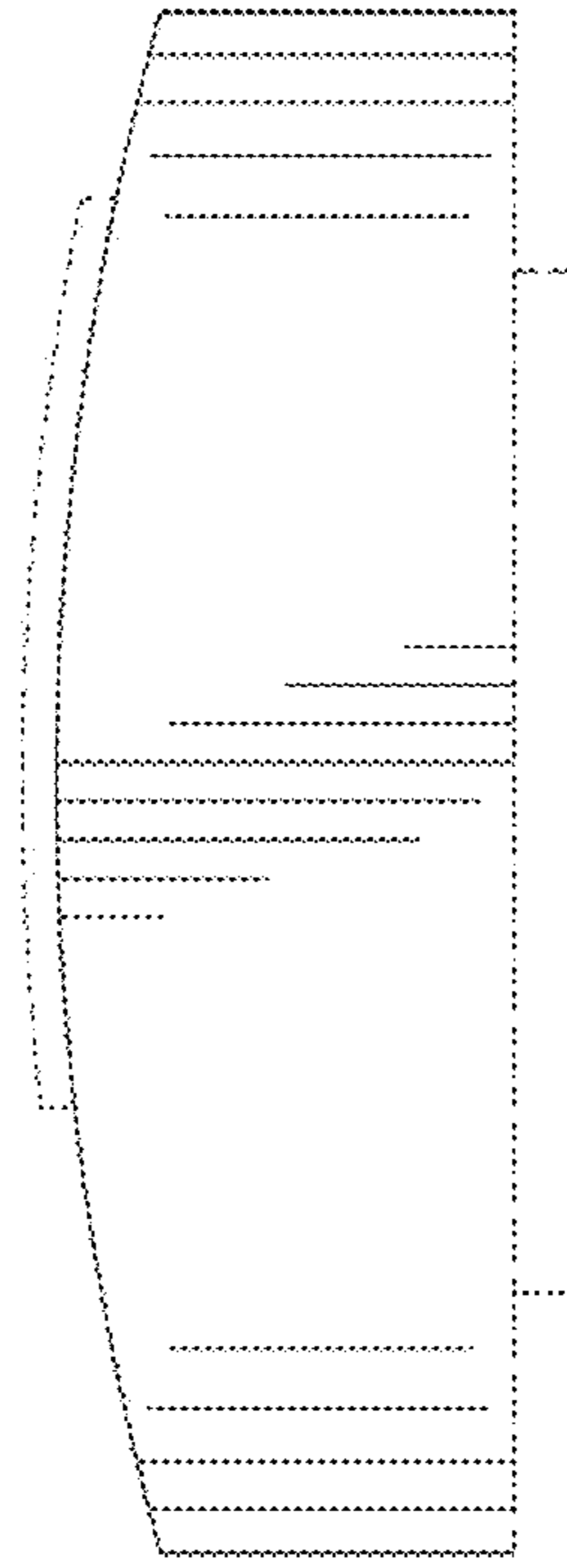


FIG. 6

