



US00D832484S

(12) **United States Design Patent**
Duckworth et al.

(10) **Patent No.:** **US D832,484 S**
(45) **Date of Patent:** **** Oct. 30, 2018**

- (54) **AREA LUMINAIRE**
- (71) Applicant: **Hubbell Incorporated**, Shelton, CT (US)
- (72) Inventors: **Jason Duckworth**, Simpsonville, SC (US); **Mark Elmore**, Easley, SC (US); **Taylor A Jenson**, Taylors, SC (US); **Douglas Samuel Hodges**, Anderson, SC (US)
- (73) Assignee: **Hubbell Incorporated**, Shelton, CT (US)

D652,978 S *	1/2012	Boissevain	D26/71
D660,496 S *	5/2012	Akdag	D26/71
D670,021 S *	10/2012	Ahrari	D26/92
D672,492 S *	12/2012	Butler	D26/71
D674,950 S *	1/2013	Lueken	D26/71
D680,258 S *	4/2013	Ahrari	D26/92
D680,259 S *	4/2013	Ahrari	D26/92
D680,676 S *	4/2013	Boyer	D26/92
D688,404 S *	8/2013	Boissevain	D26/71
D689,233 S *	9/2013	Boissevain	D26/71
D726,947 S *	4/2015	Boyer	D26/71
D736,984 S *	8/2015	Dal Ponte	D26/92
D742,577 S *	11/2015	Duckworth	D26/92
D749,256 S *	2/2016	Compton	D26/71
2010/0238671 A1 *	9/2010	Catone	F21S 8/086 362/373

- (**) Term: **15 Years**
- (21) Appl. No.: **29/576,307**
- (22) Filed: **Sep. 1, 2016**

(Continued)

Primary Examiner — Clare E Heflin
(74) *Attorney, Agent, or Firm* — Michael Best & Friedrich, LLP

Related U.S. Application Data

- (63) Continuation of application No. 29/525,585, filed on Apr. 30, 2015, now Pat. No. Des. 767,196.
- (51) **LOC (11) Cl.** **26-05**
- (52) **U.S. Cl.**
USPC **D26/71; D26/92**
- (58) **Field of Classification Search**
USPC D26/67-71, 92
CPC .. F21S 9/03; F21S 8/085; F21S 8/086; F21W 2131/103; F21V 15/01
See application file for complete search history.

(57) **CLAIM**

The ornamental design for an area luminaire, as shown and described.

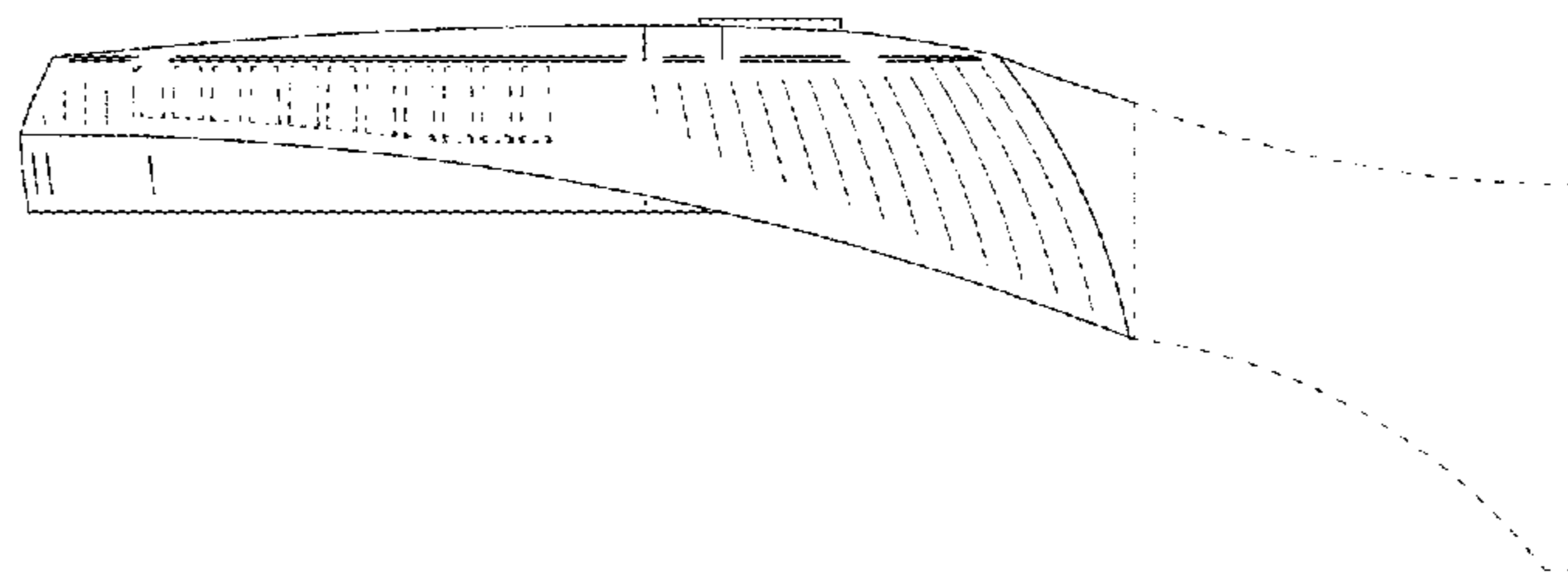
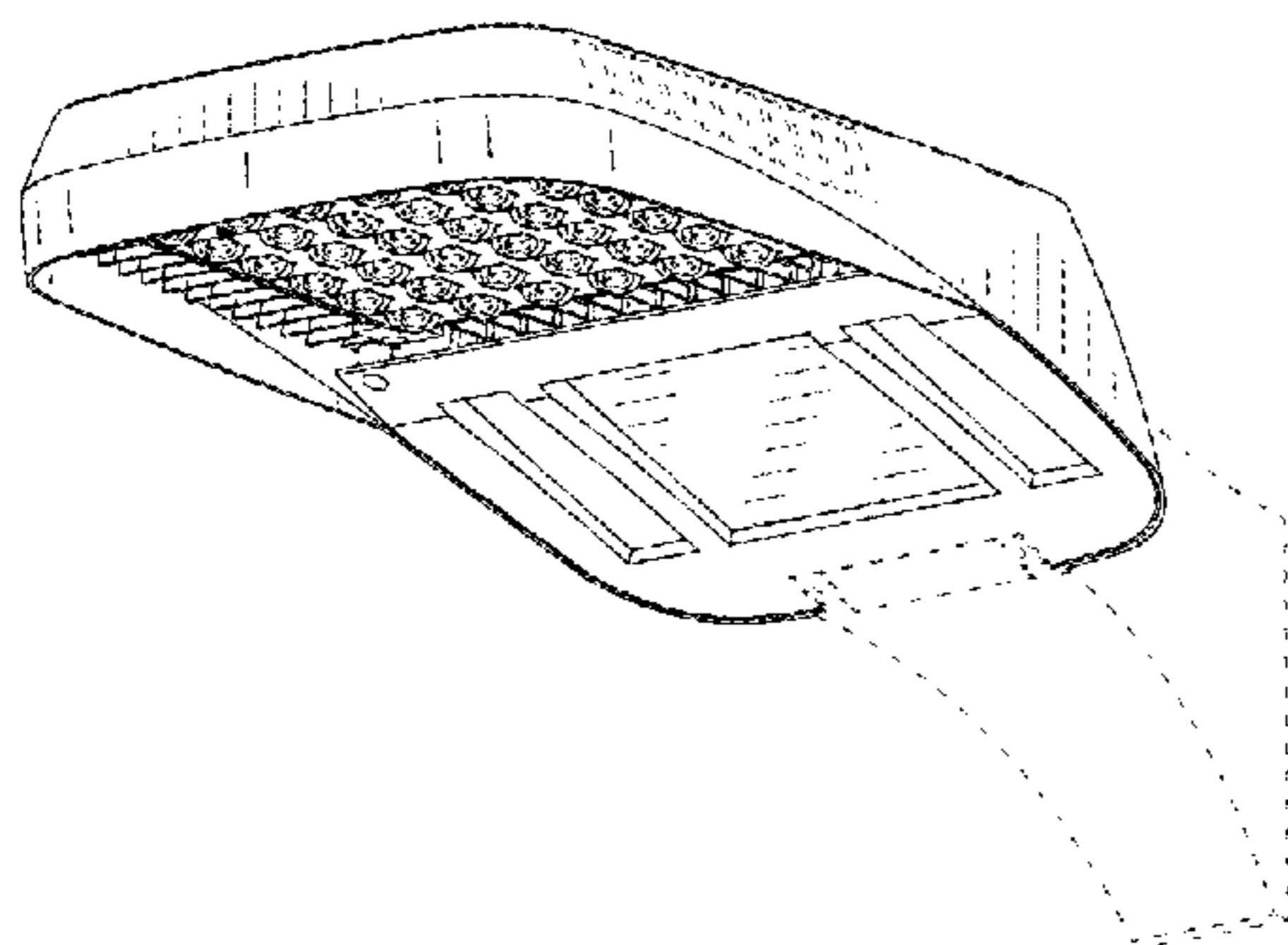
DESCRIPTION

FIG. 1 is a rear perspective view of an embodiment of the design;
FIG. 2 is another rear perspective view of FIG. 1;
FIG. 3 is a bottom, front perspective view of FIG. 1;
FIG. 4 is a rear view of FIG. 1;
FIG. 5 is a front view of FIG. 1;
FIG. 6 is a top view of FIG. 1;
FIG. 7 is a bottom view of FIG. 1; and,
FIG. 8 is a right side view of FIG. 1.
The broken lines shown on the drawings depict portions of an area luminaire mounting bracket that form no part of the claimed design.

(56) **References Cited**
U.S. PATENT DOCUMENTS

D391,659 S *	3/1998	Gaskins	D26/71
D556,935 S *	12/2007	Quioque	D26/71
D612,090 S *	3/2010	Yu	D26/71
D634,878 S *	3/2011	Guercio	D26/71
8,029,151 B2 *	10/2011	Butler	F21S 8/086 362/20
D652,557 S *	1/2012	Boissevain	D26/71

1 Claim, 2 Drawing Sheets



(56)

References Cited

U.S. PATENT DOCUMENTS

2011/0013397 A1* 1/2011 Catone F21S 8/086
362/244
2015/0345772 A1* 12/2015 Duckworth F21V 29/76
362/373

* cited by examiner

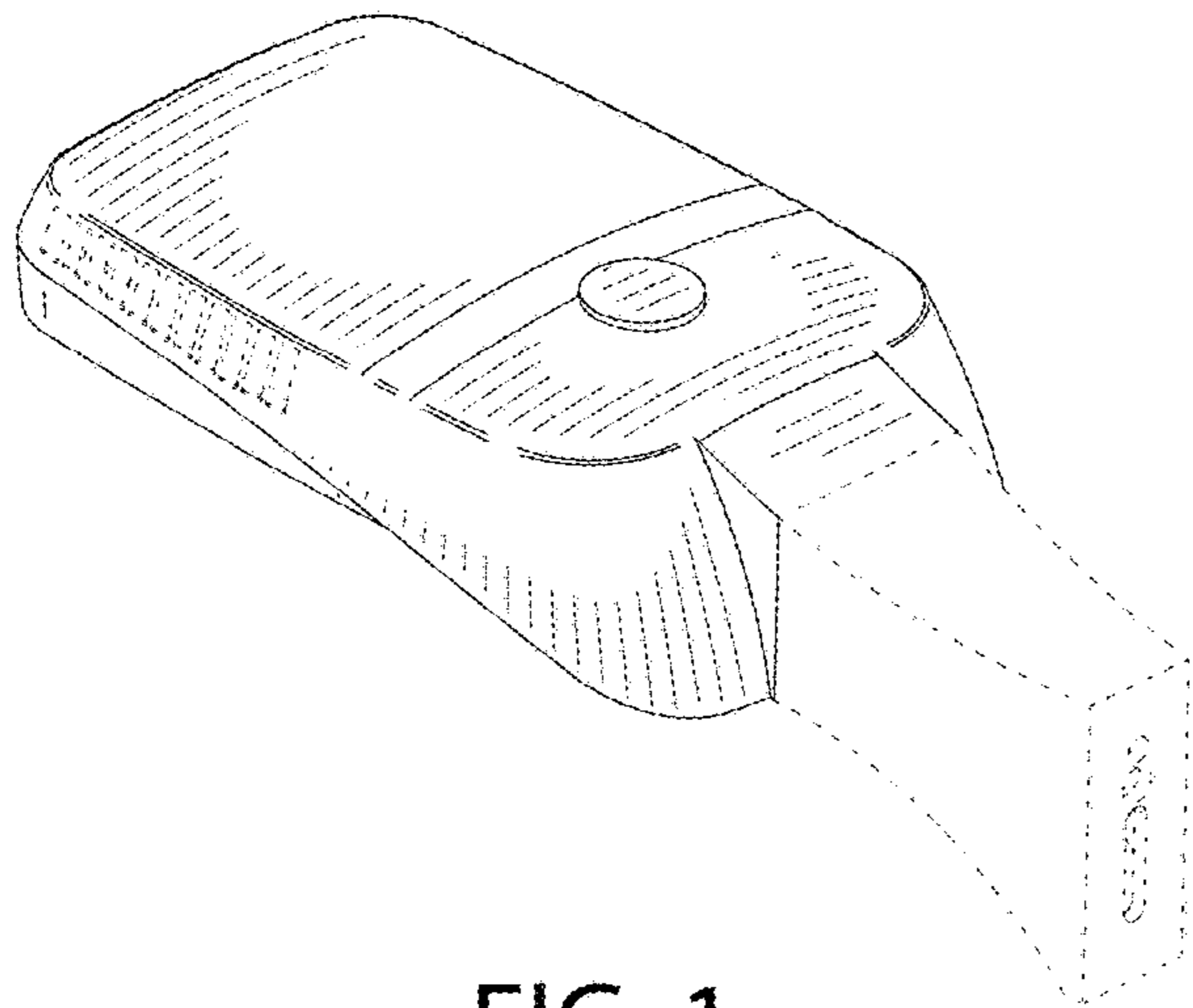


FIG. 1

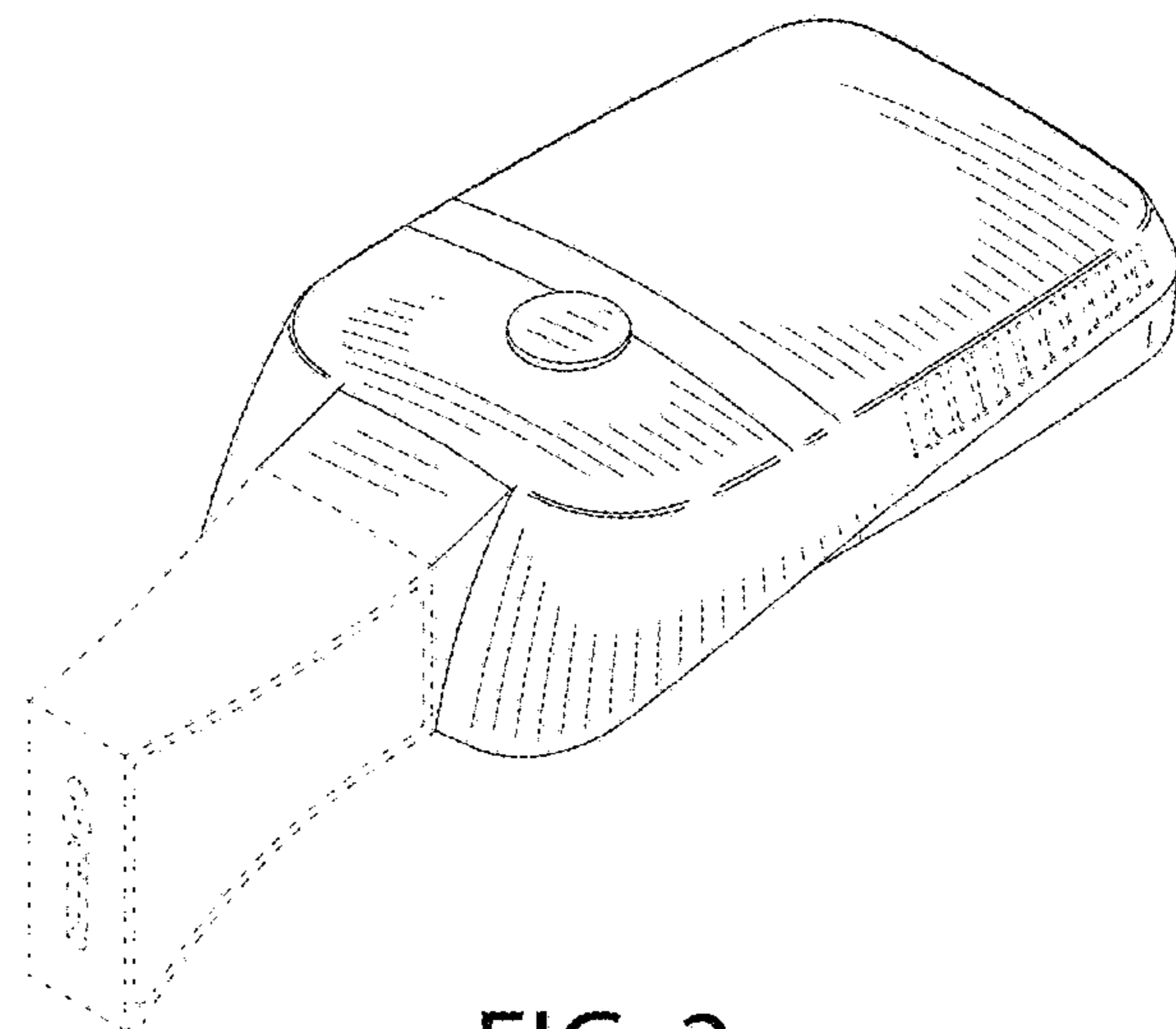


FIG. 2

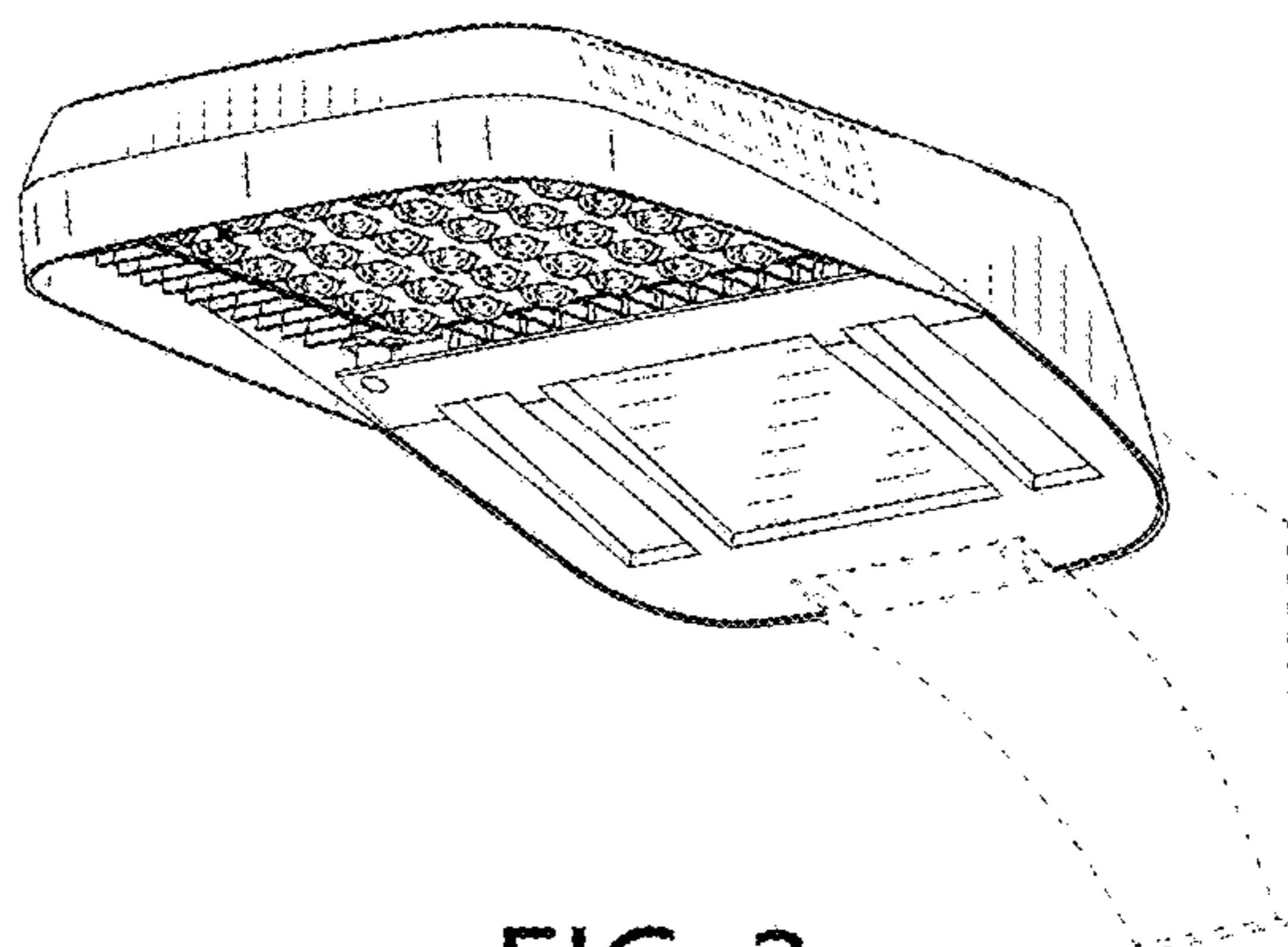


FIG. 3

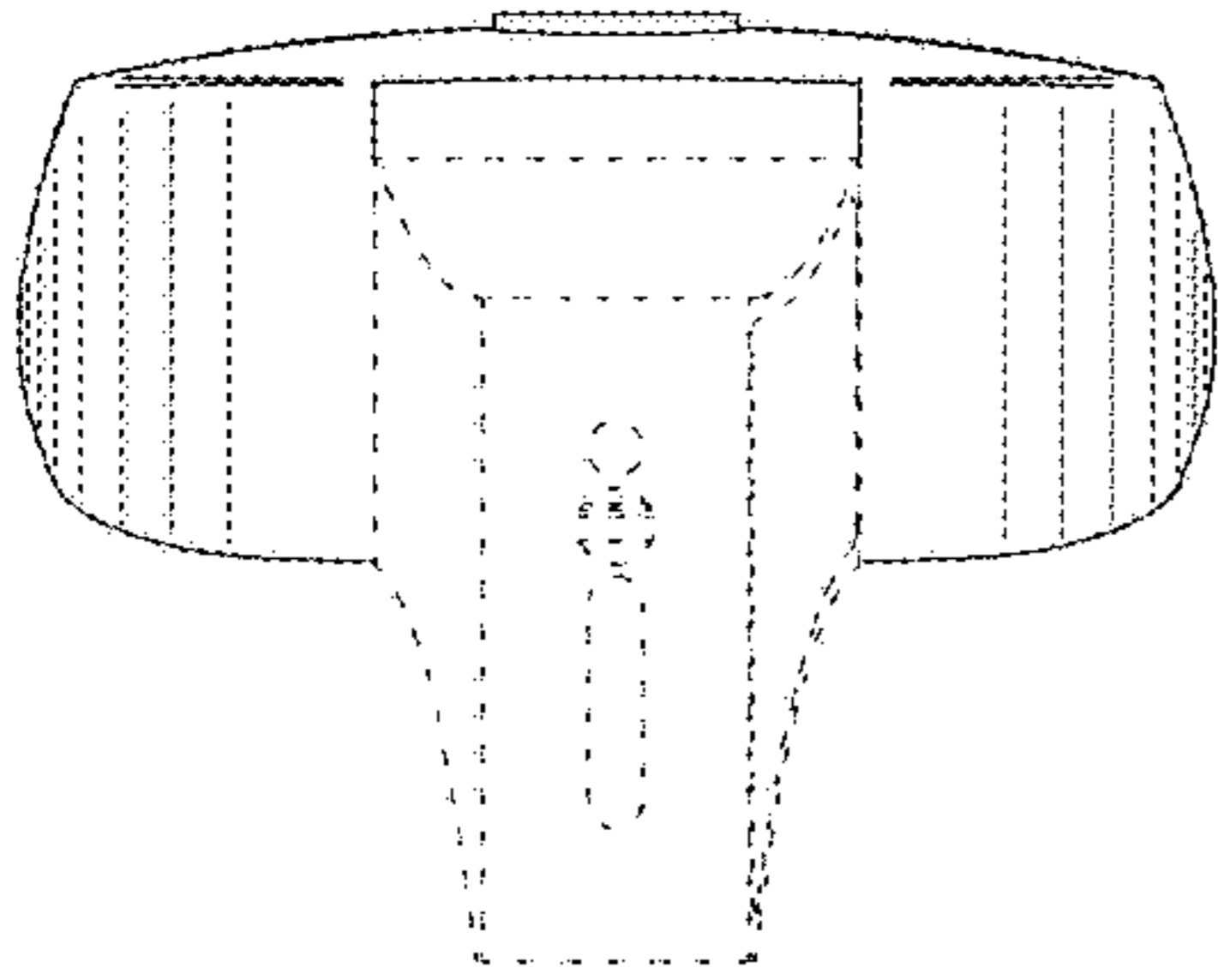


FIG. 4

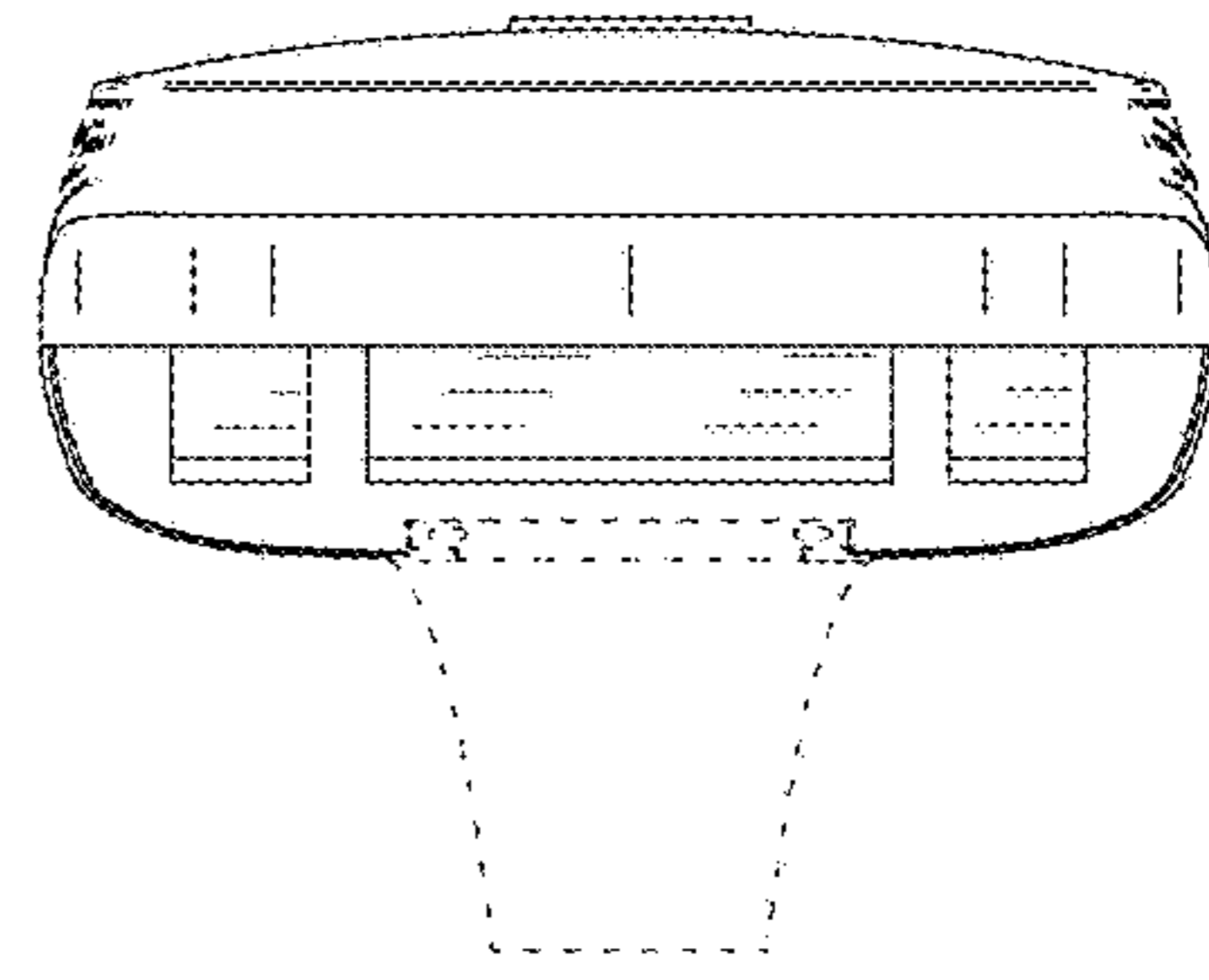


FIG. 5

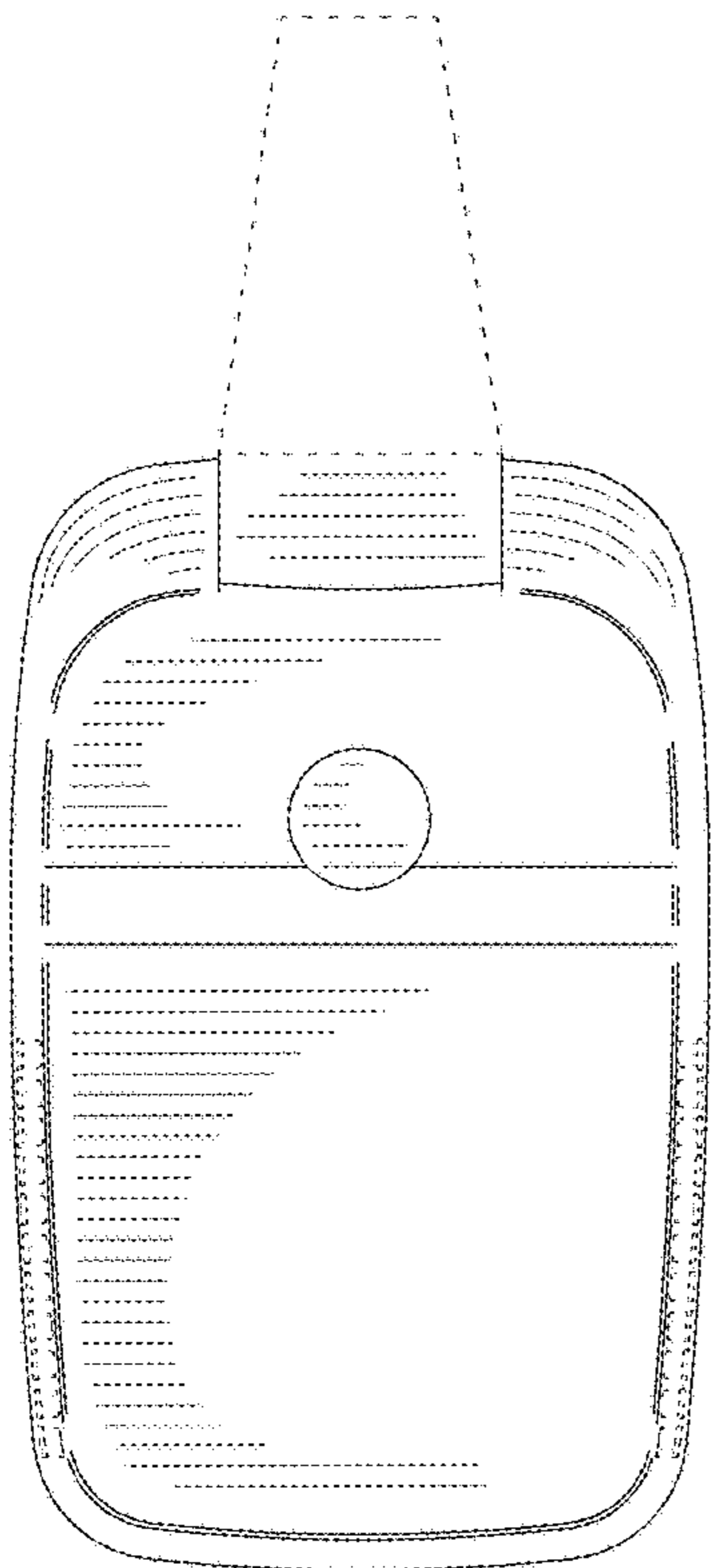


FIG. 6

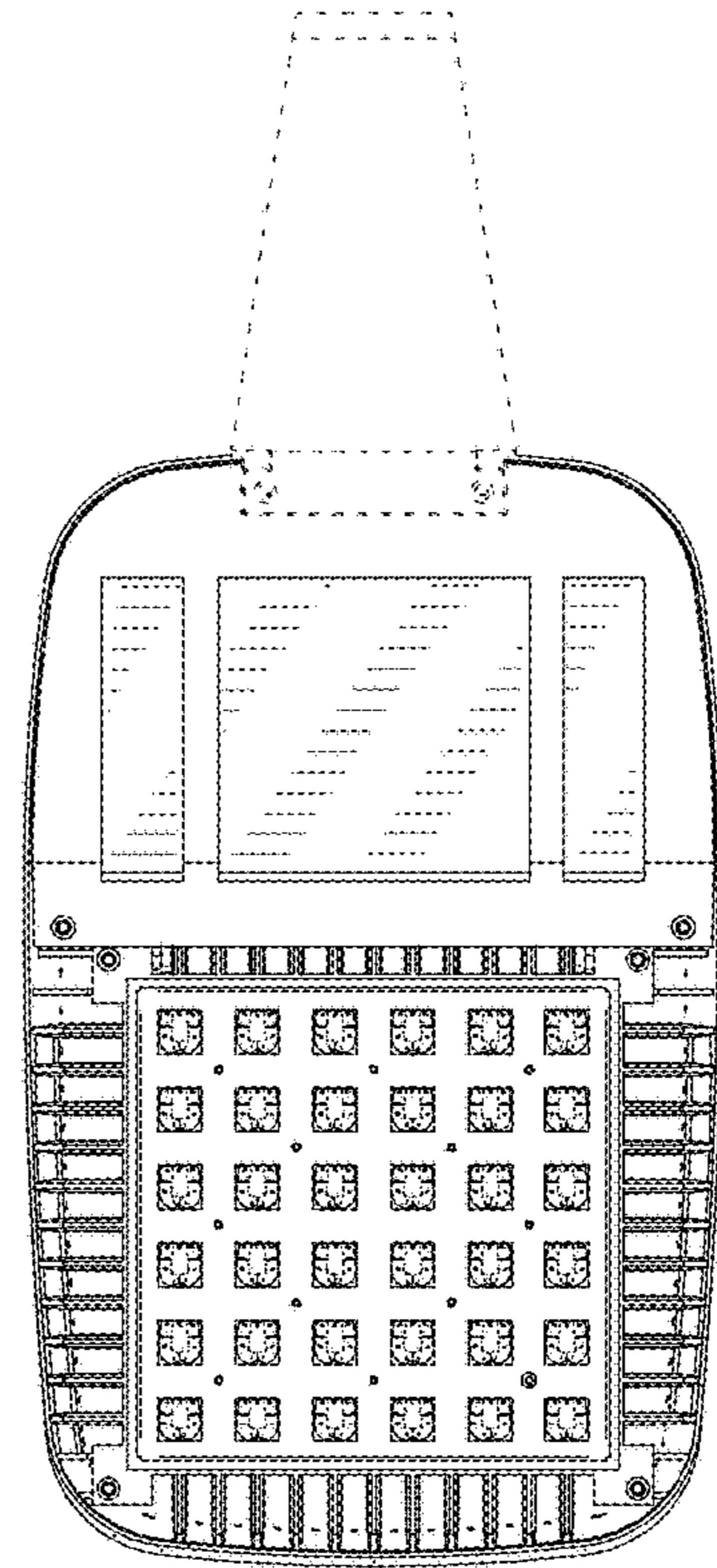


FIG. 7

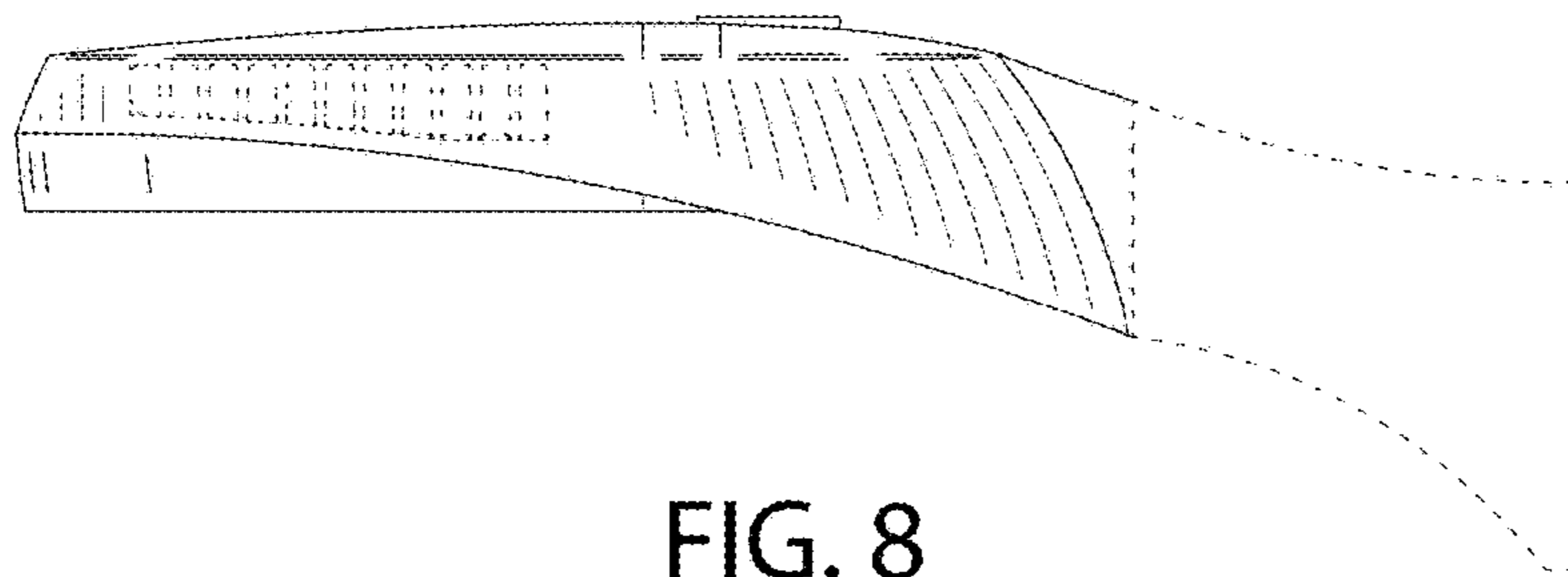


FIG. 8