



US00D832483S

(12) **United States Design Patent**
Xiao

(10) **Patent No.:** **US D832,483 S**

(45) **Date of Patent:** **** Oct. 30, 2018**

(54) **COLLAPSIBLE INFRARED WALL LAMP**

(71) Applicant: **SHENZHEN VICTOR SOLAR TECHNOLOGY CO., LTD**, Shenzhen, Guangdong Province (CN)

(72) Inventor: **Zhifeng Xiao**, Ji'an (CN)

(73) Assignee: **Shenzhen Victor Solar Technology Co., Ltd.**, Shenzhen, Guangdong (CN)

(**) Term: **15 Years**

(21) Appl. No.: **29/586,366**

(22) Filed: **Dec. 2, 2016**

(51) **LOC (11) Cl.** **26-03**

(52) **U.S. Cl.**
USPC **D26/63**

(58) **Field of Classification Search**
USPC D26/24, 51, 61, 63, 65, 72, 80, 118
CPC F21S 8/04; F21S 8/00; F21V 21/00; F21V 17/02; F21V 14/02; F21V 21/30; F21V 21/14; F21V 21/26; F21W 2131/10
See application file for complete search history.

(56) **References Cited**

U.S. PATENT DOCUMENTS

D714,481 S * 9/2014 Moeller D26/63
D720,485 S * 12/2014 Gough D26/63

D805,673 S * 12/2017 Dai D26/63

* cited by examiner

Primary Examiner — Brian N Vinson

(74) *Attorney, Agent, or Firm* — Juan Carlos A. Marquez; Marquez IP Law Office, PLLC

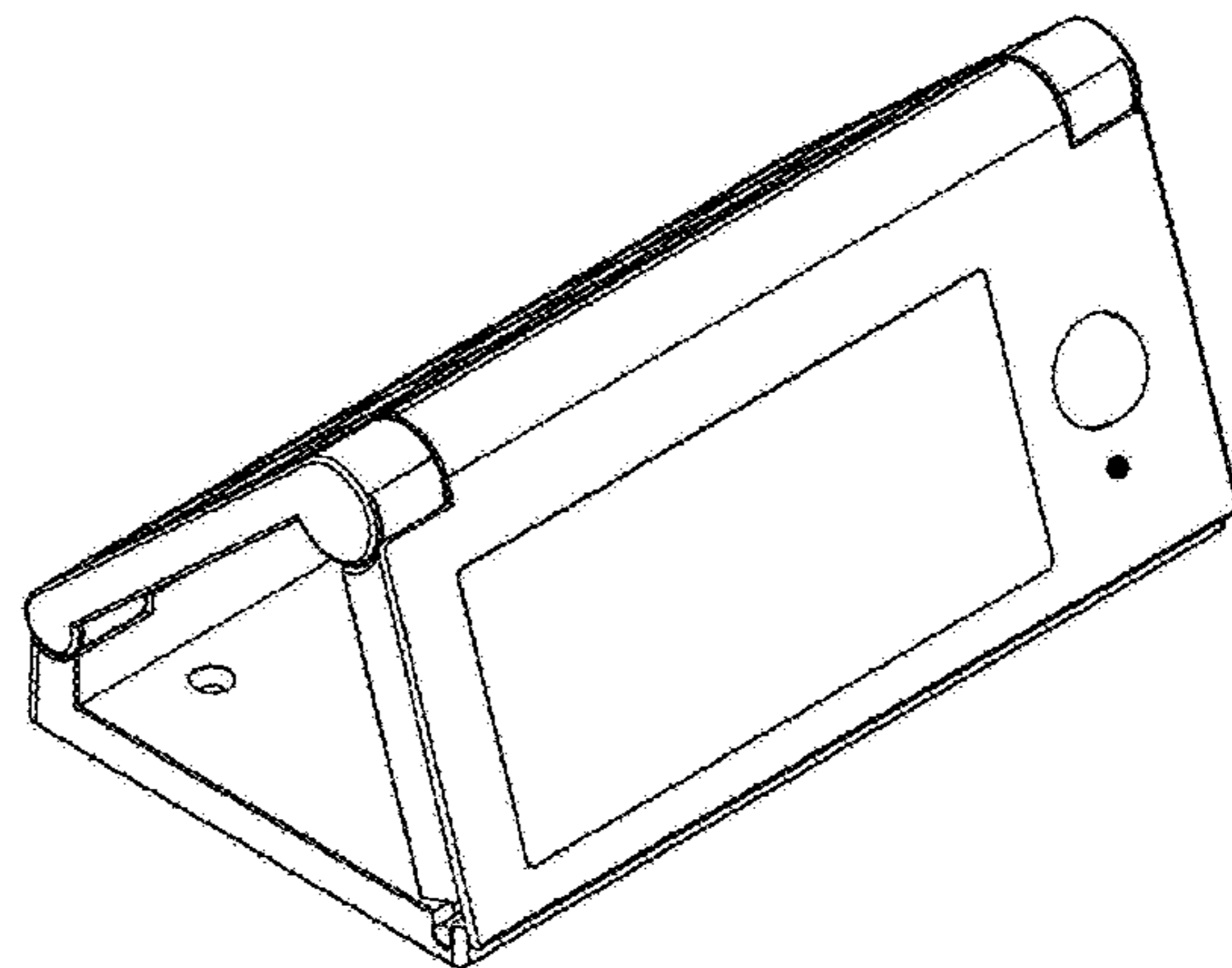
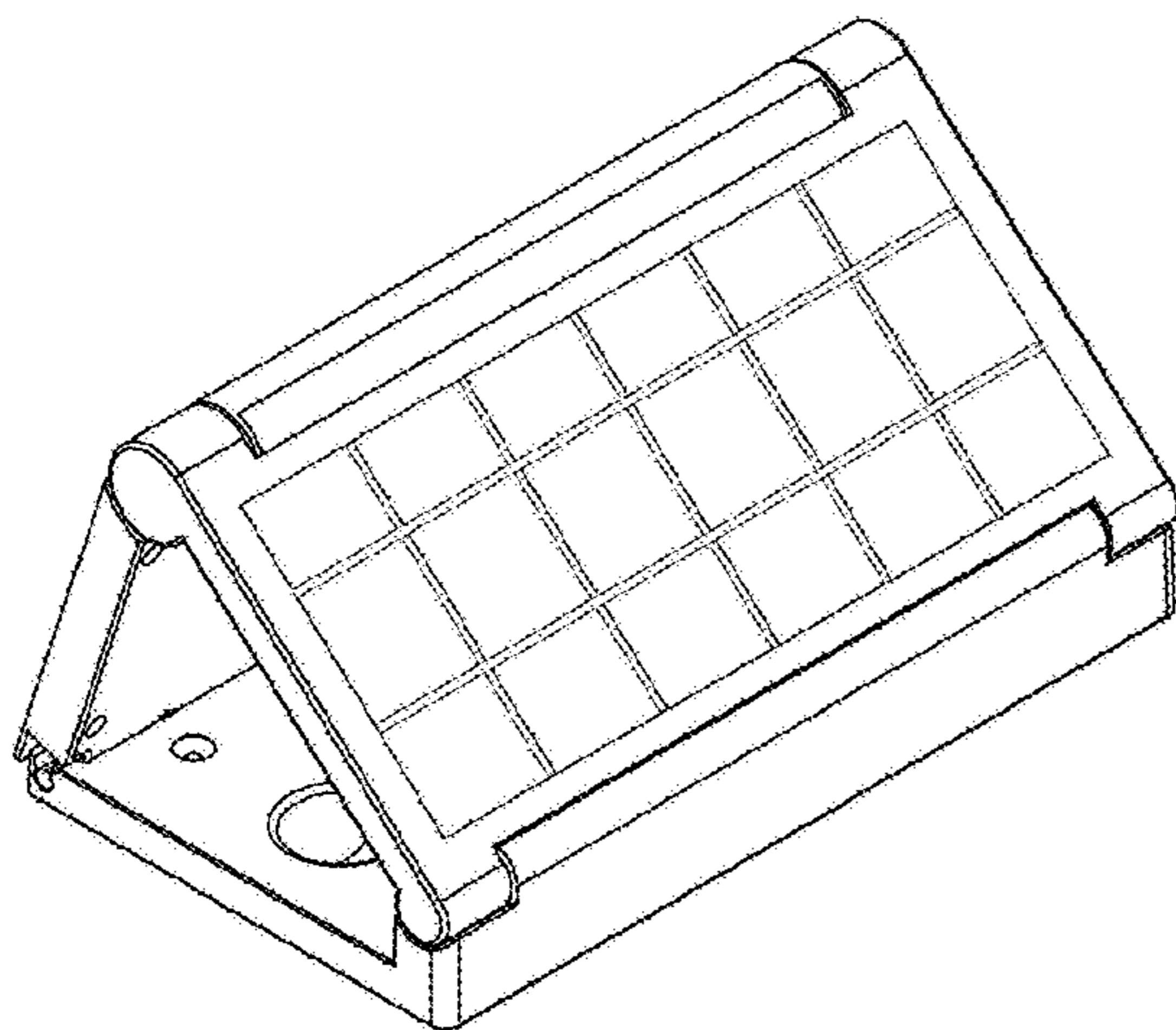
(57) **CLAIM**

The ornamental design for a collapsible infrared wall lamp, as shown and described.

DESCRIPTION

FIG. 1 is a perspective view of collapsible infrared wall lamp, showing my new design;
FIG. 2 is another perspective view thereof;
FIG. 3 is a yet another perspective view thereof;
FIG. 4 is a top plan view thereof;
FIG. 5 is a bottom plan view thereof;
FIG. 6 is a right side elevational view thereof;
FIG. 7 is a left side elevational view thereof;
FIG. 8 is a front elevational view thereof; and,
FIG. 9 is a rear elevational view; view thereof.
The broken line disclosure represents portions of the lamp which forms no part of the claimed design.

1 Claim, 9 Drawing Sheets



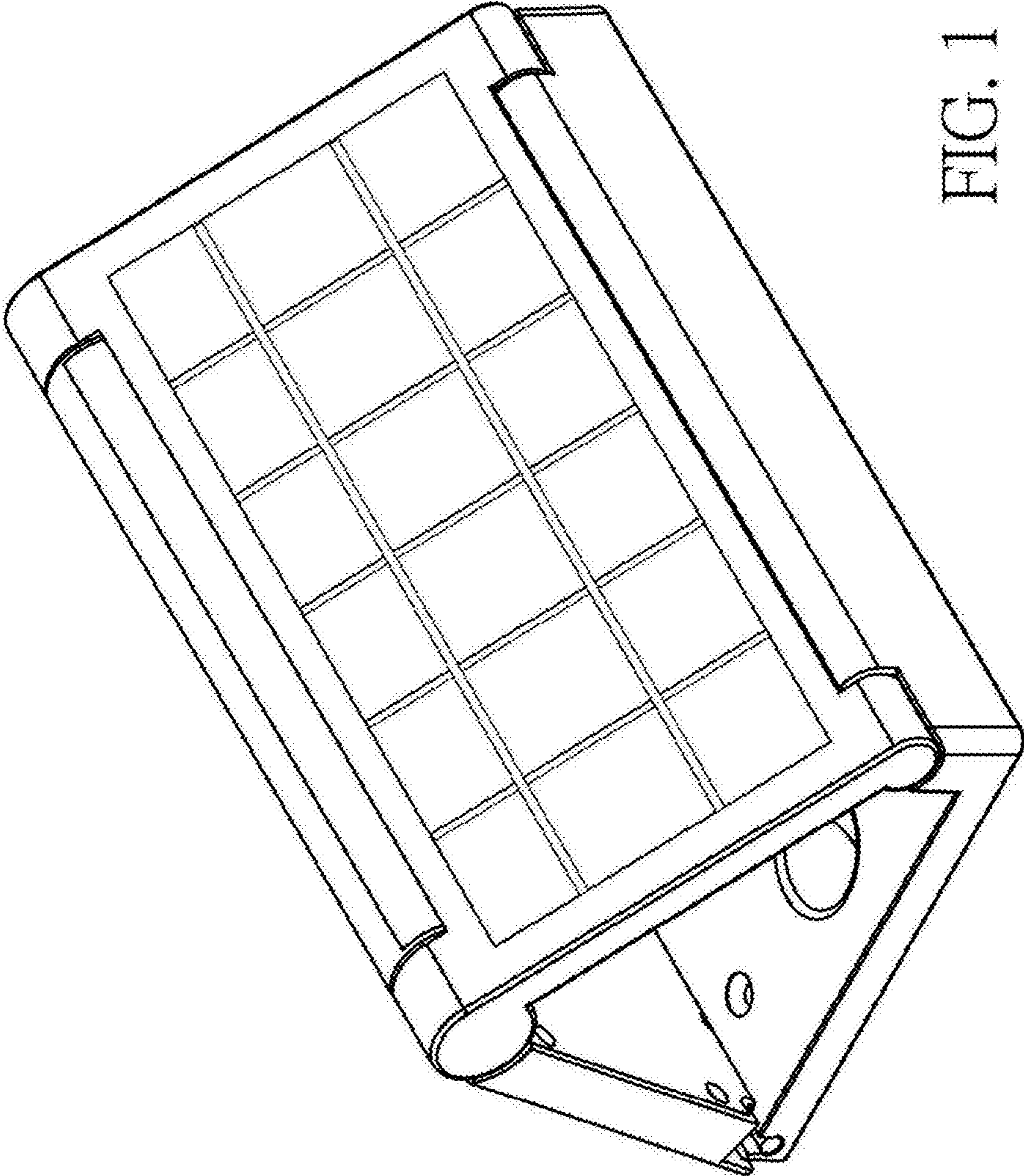


FIG. 1

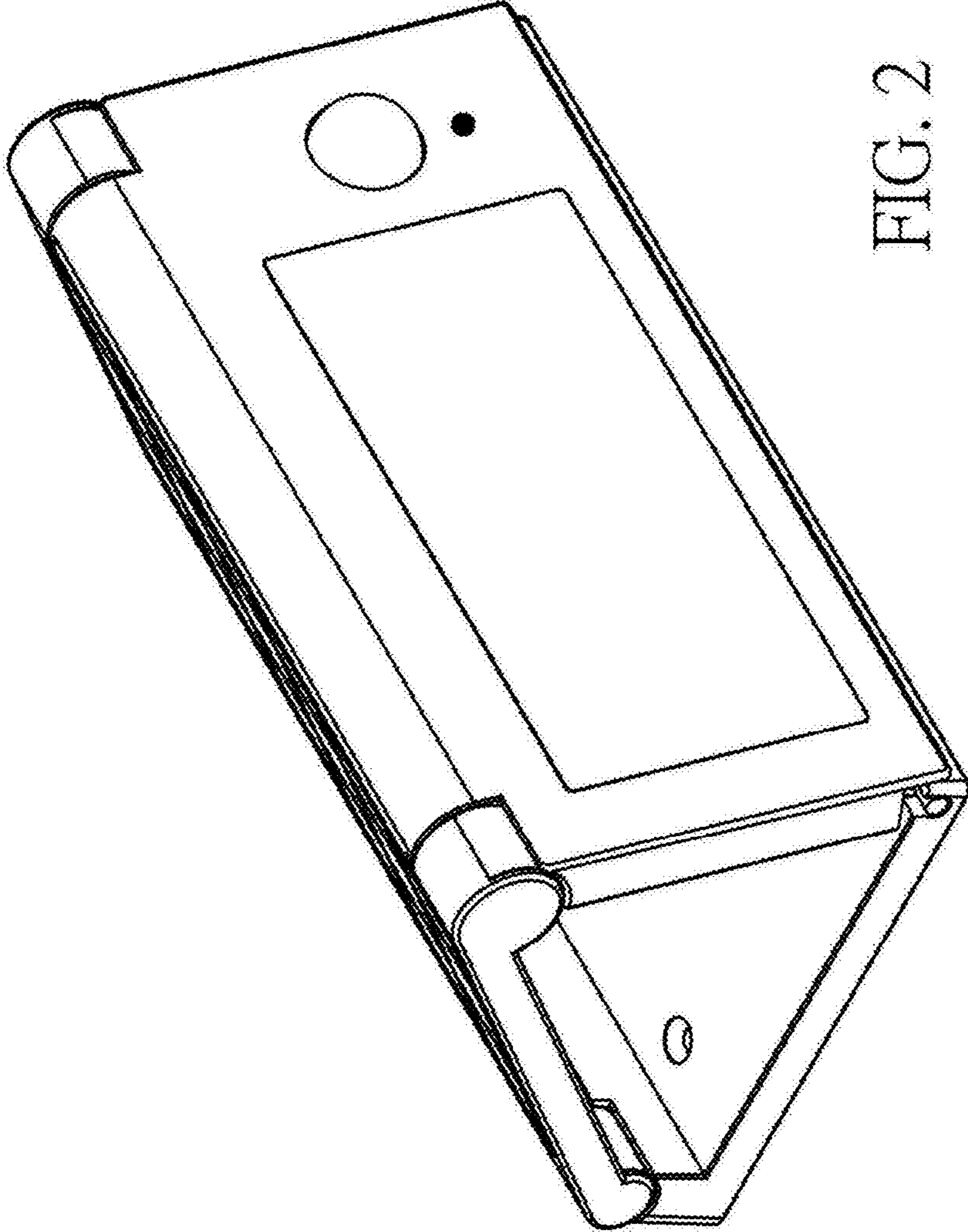


FIG. 2

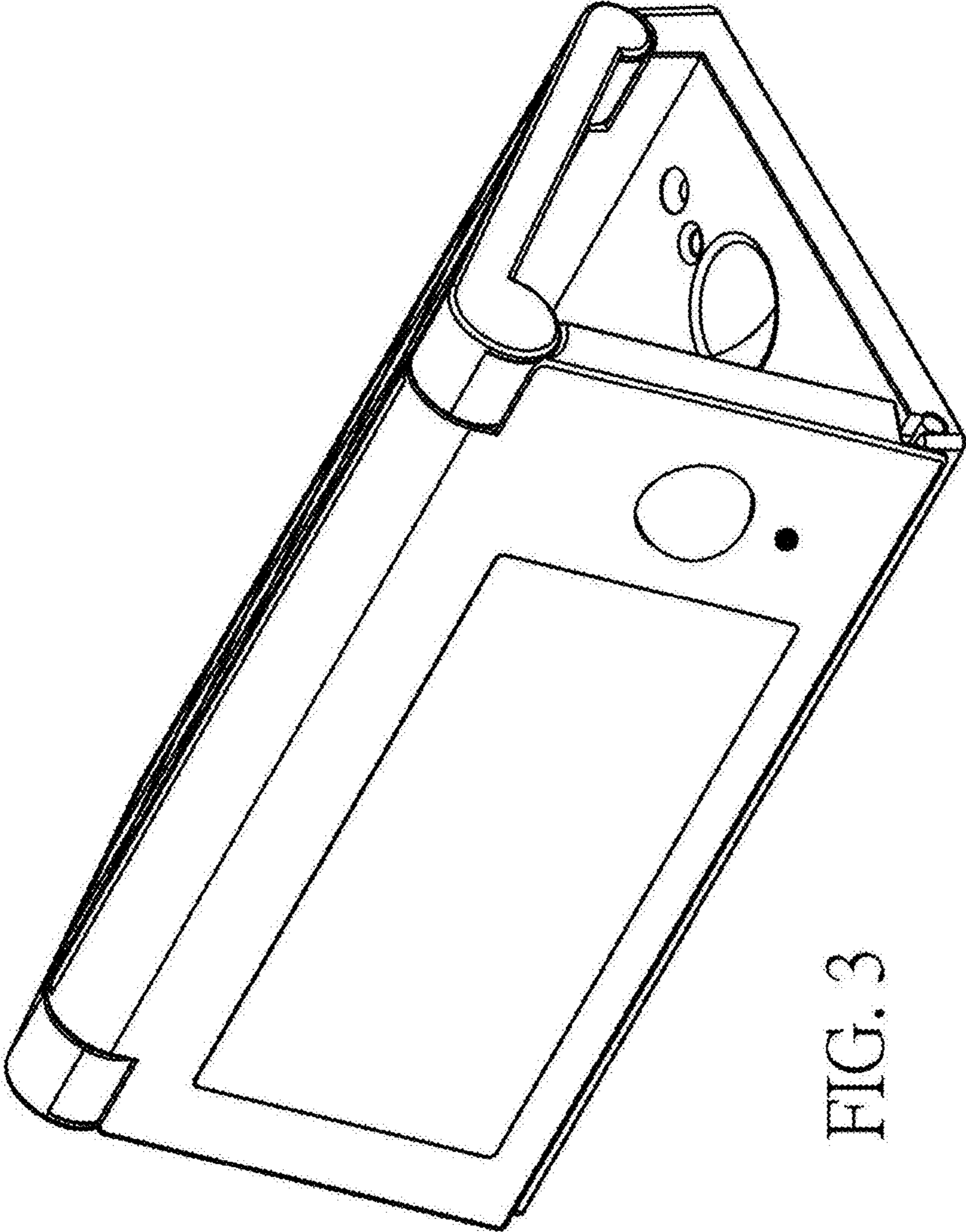


FIG. 3

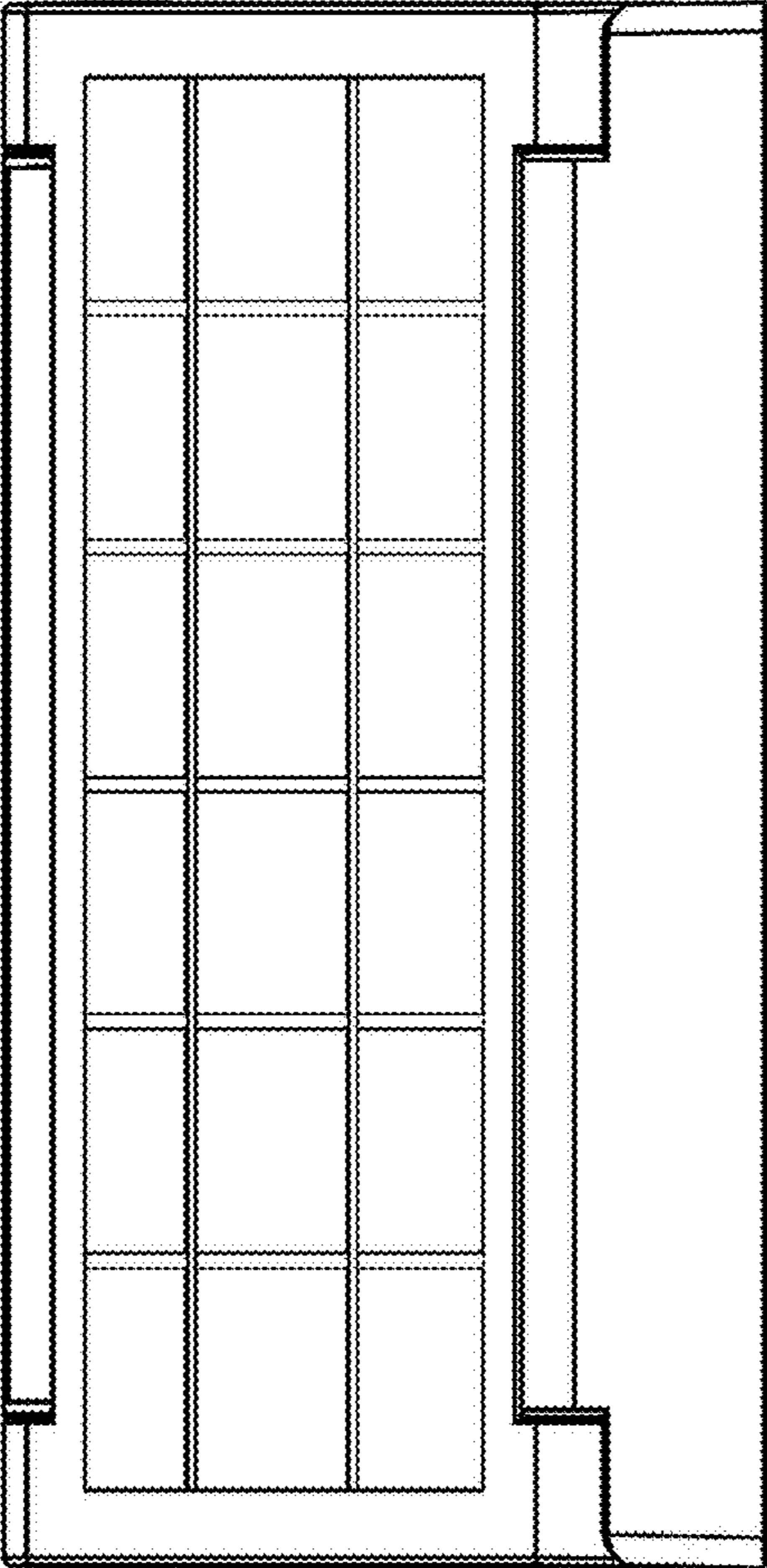


FIG. 4

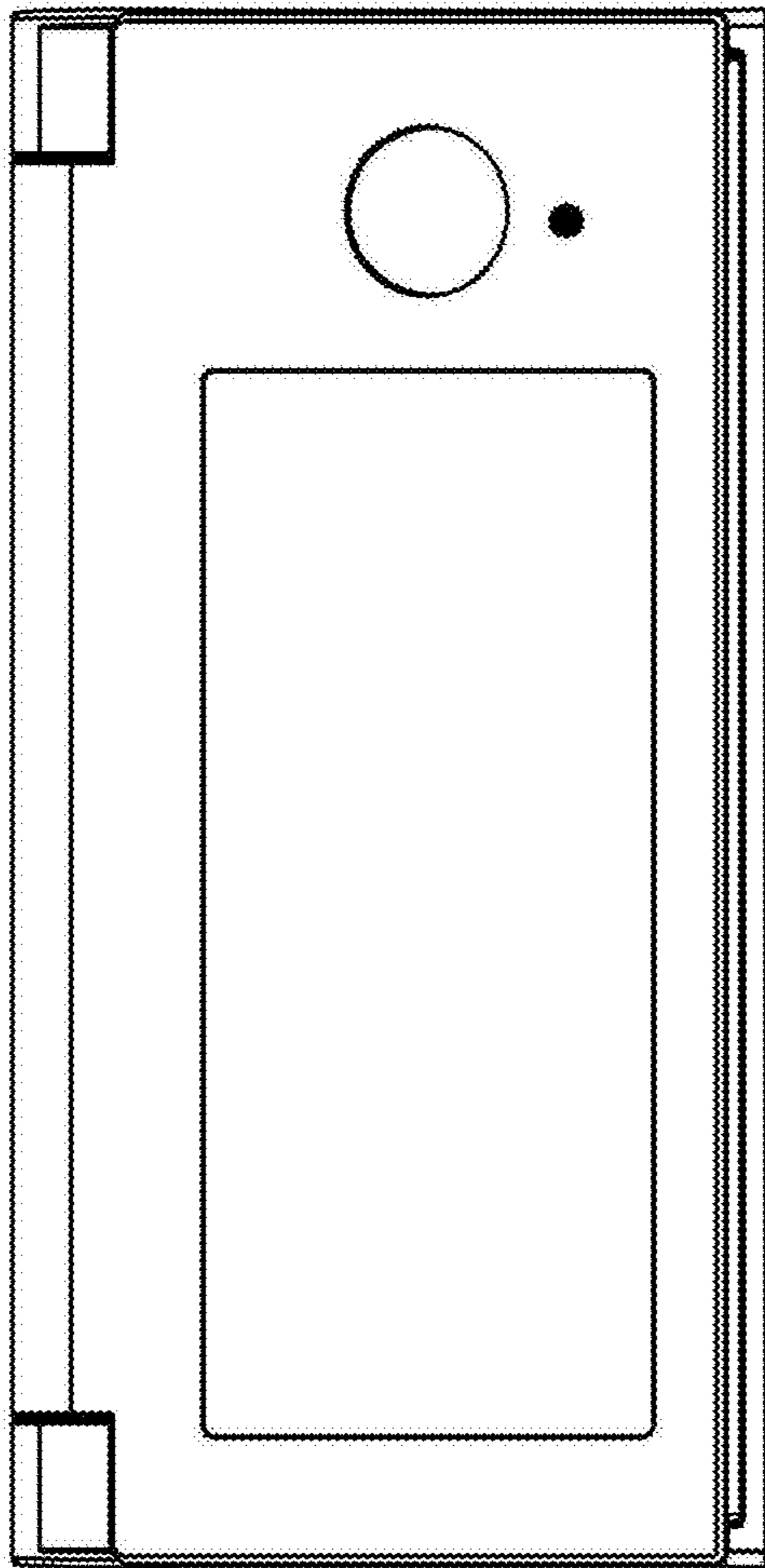


FIG. 5

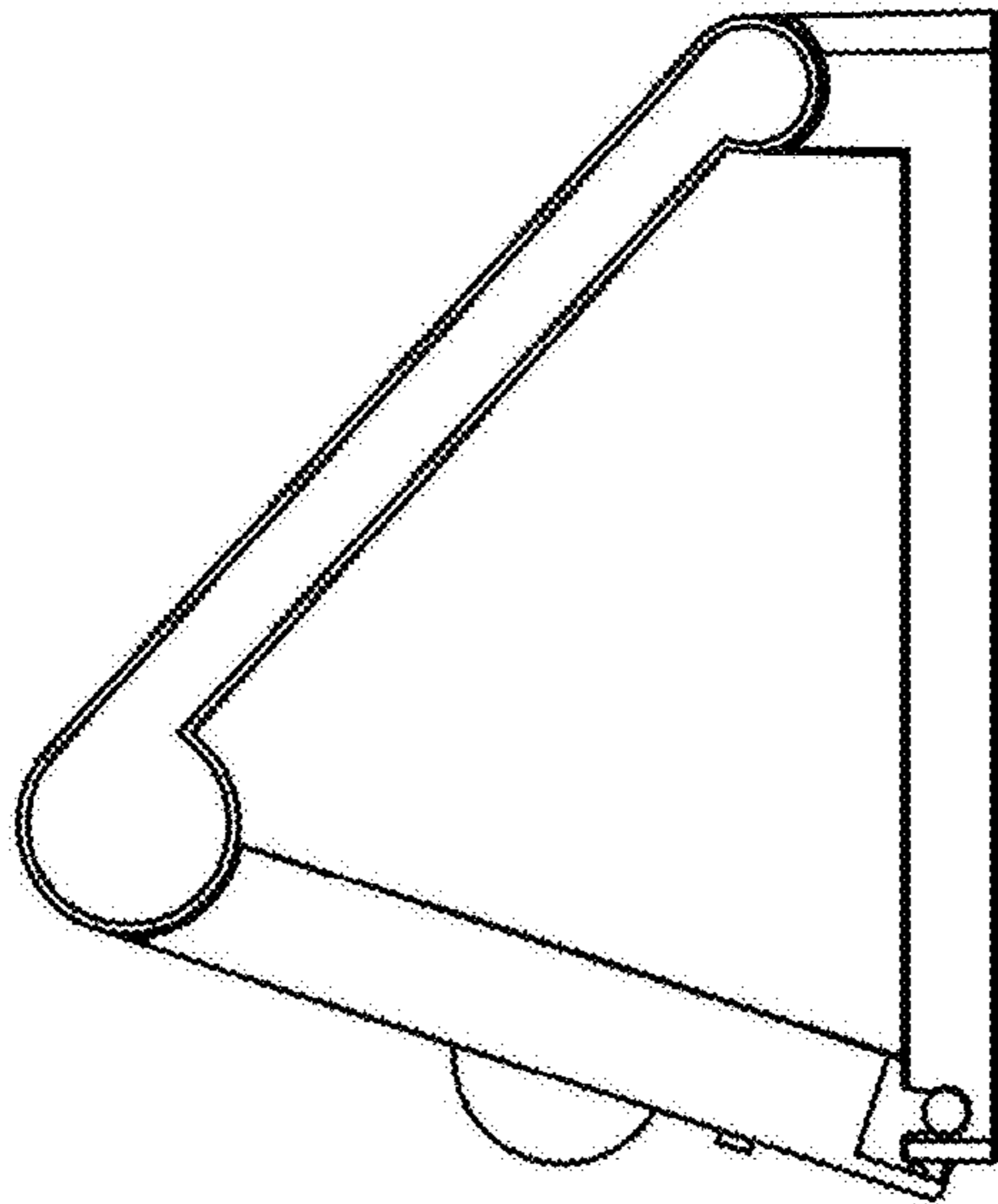


FIG. 6

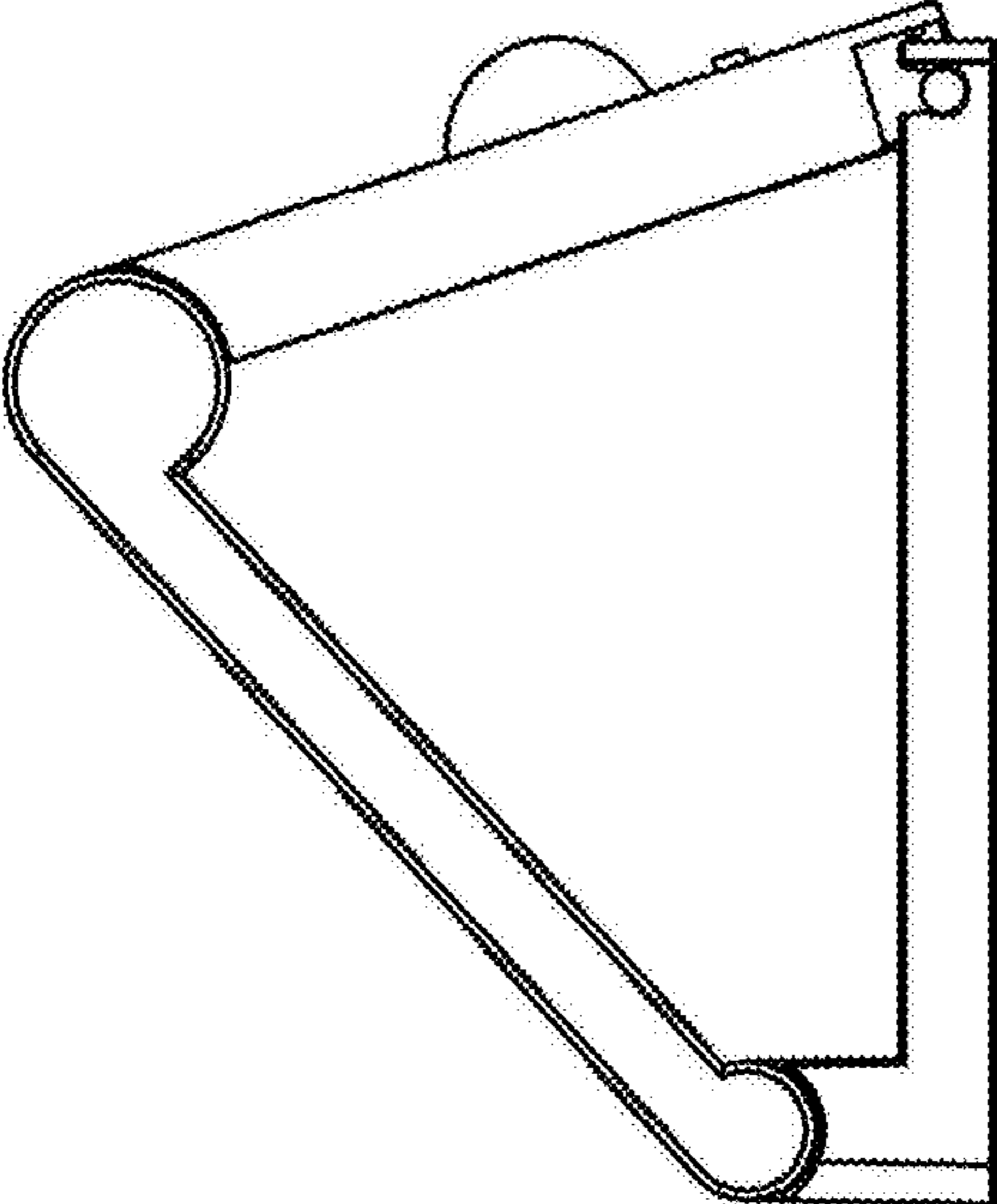


FIG. 7

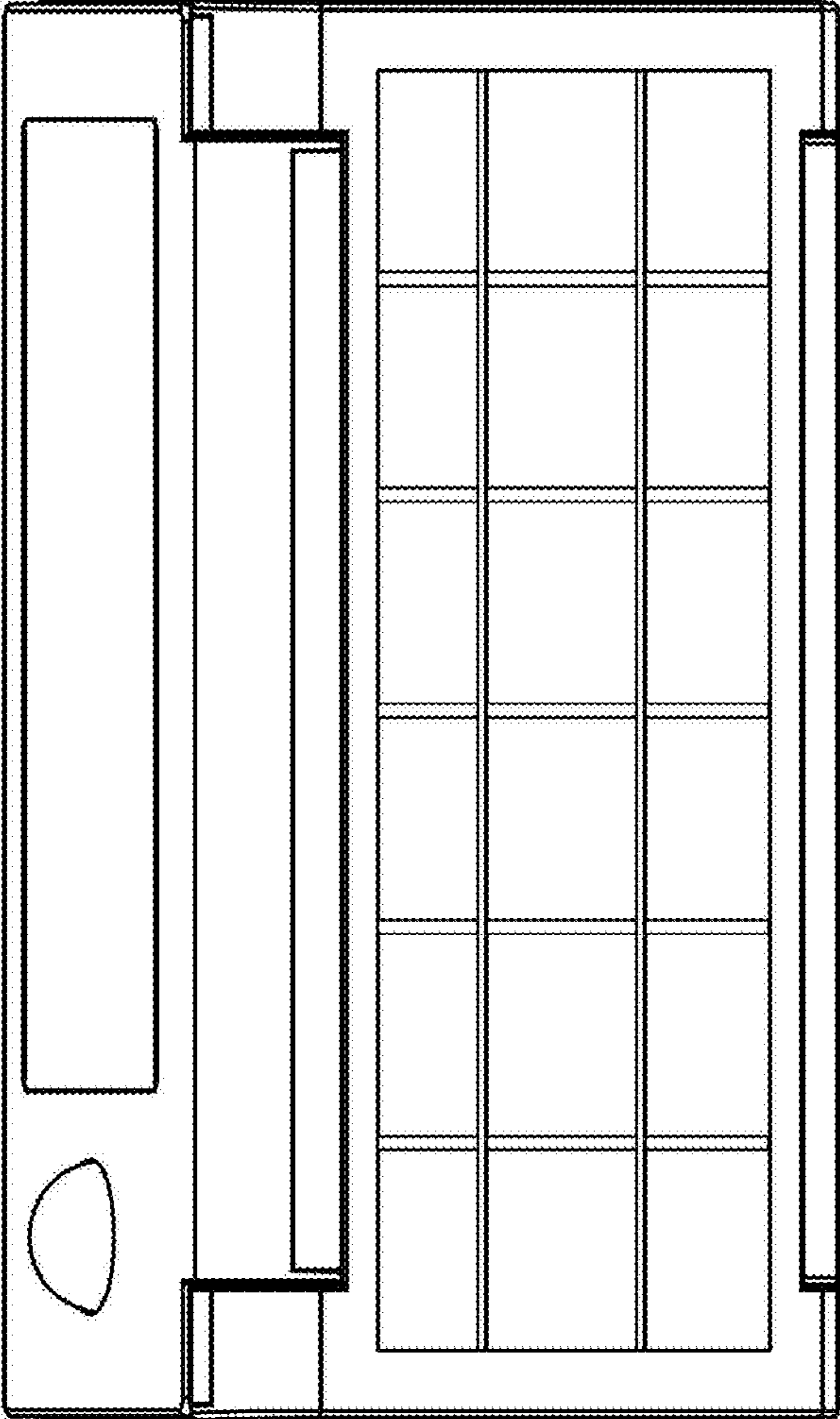


FIG. 8

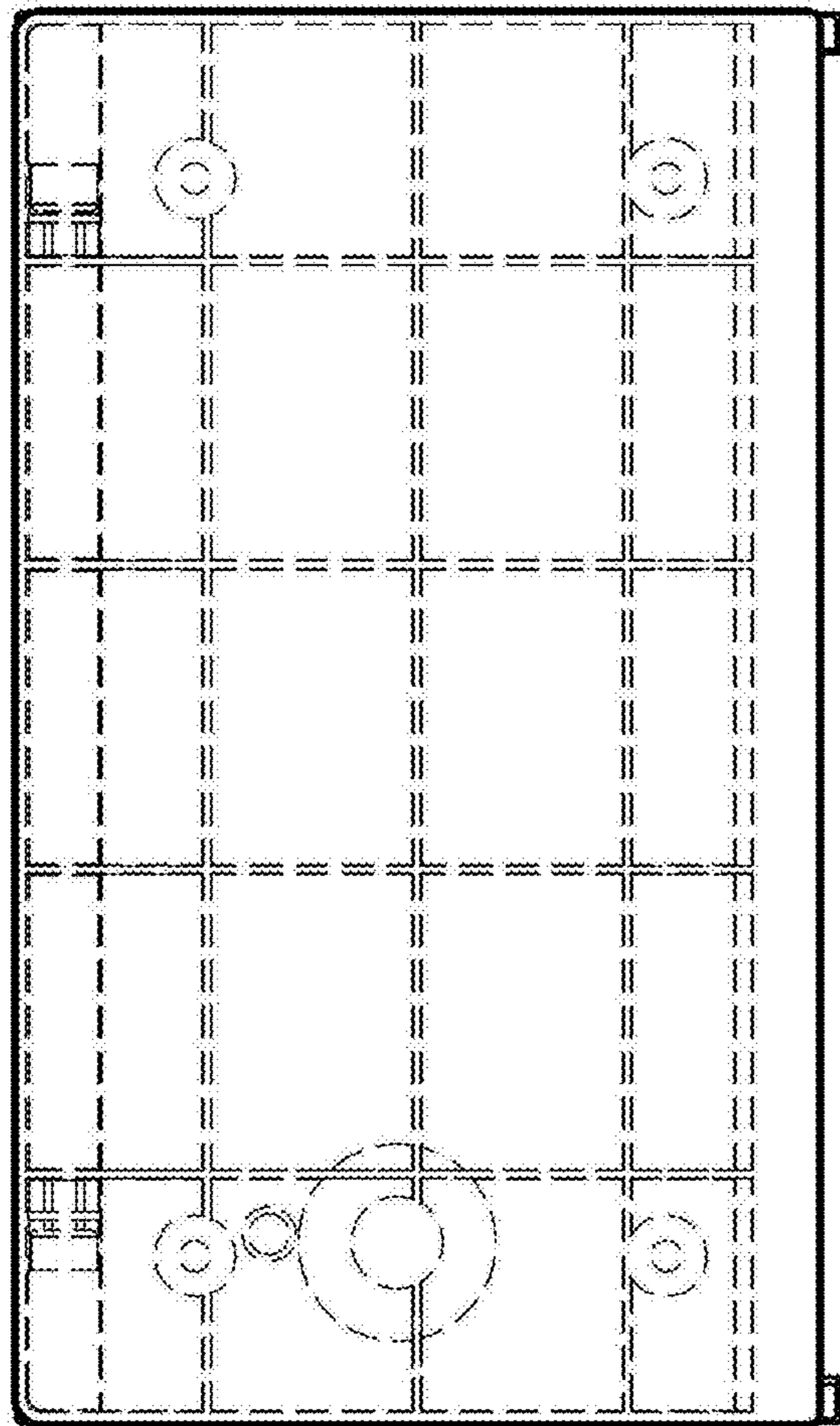


FIG. 9