



US00D832481S

(12) **United States Design Patent**  
**Tang**

(10) **Patent No.:** **US D832,481 S**

(45) **Date of Patent:** **\*\* Oct. 30, 2018**

(54) **FLASHLIGHT**

(71) Applicant: **INVENTEL PRODUCTS, LLC,**  
Rockaway, NJ (US)

(72) Inventor: **Jack Tang,** New Taipei (TW)

(73) Assignee: **Inventel Products, LLC,** Rockaway,  
NJ (US)

(\*\*) Term: **15 Years**

(21) Appl. No.: **29/583,689**

(22) Filed: **Nov. 8, 2016**

(51) **LOC (11) Cl.** ..... **26-02**

(52) **U.S. Cl.**  
USPC ..... **D26/49**

(58) **Field of Classification Search**  
USPC ..... D26/37, 38, 46, 49, 51  
CPC ..... F21L 2003/00; F21L 4/00; F21L 4/005;  
F21L 4/02; F21L 4/025; F21L 4/027;  
F21L 4/04; F21L 4/08; F21L 2005/00;  
F21L 7/00; F21L 11/00; F21L 13/00;  
F21L 13/04; F21L 13/08; F21L 14/02;  
F21L 17/00

See application file for complete search history.

(56) **References Cited**

**U.S. PATENT DOCUMENTS**

D494,298 S \* 8/2004 Brent ..... D26/49  
D608,482 S \* 1/2010 Brown ..... D26/49  
D610,727 S \* 2/2010 Nyssen ..... D26/46

D617,024 S \* 6/2010 Brown ..... D26/49  
D674,946 S \* 1/2013 Bertken ..... D26/49  
D685,510 S \* 7/2013 Henry ..... D26/60  
D699,381 S \* 2/2014 Stewart ..... D26/49  
D716,983 S \* 11/2014 Ma ..... D26/49  
D732,721 S \* 6/2015 Popper ..... D26/49  
D734,885 S \* 7/2015 Brown ..... D26/49  
D748,834 S \* 2/2016 Huang ..... D26/38

\* cited by examiner

*Primary Examiner* — Karen E Kearney

*Assistant Examiner* — Carissa C Fitts

(74) *Attorney, Agent, or Firm* — Janine D. Geraigery,  
Esq.

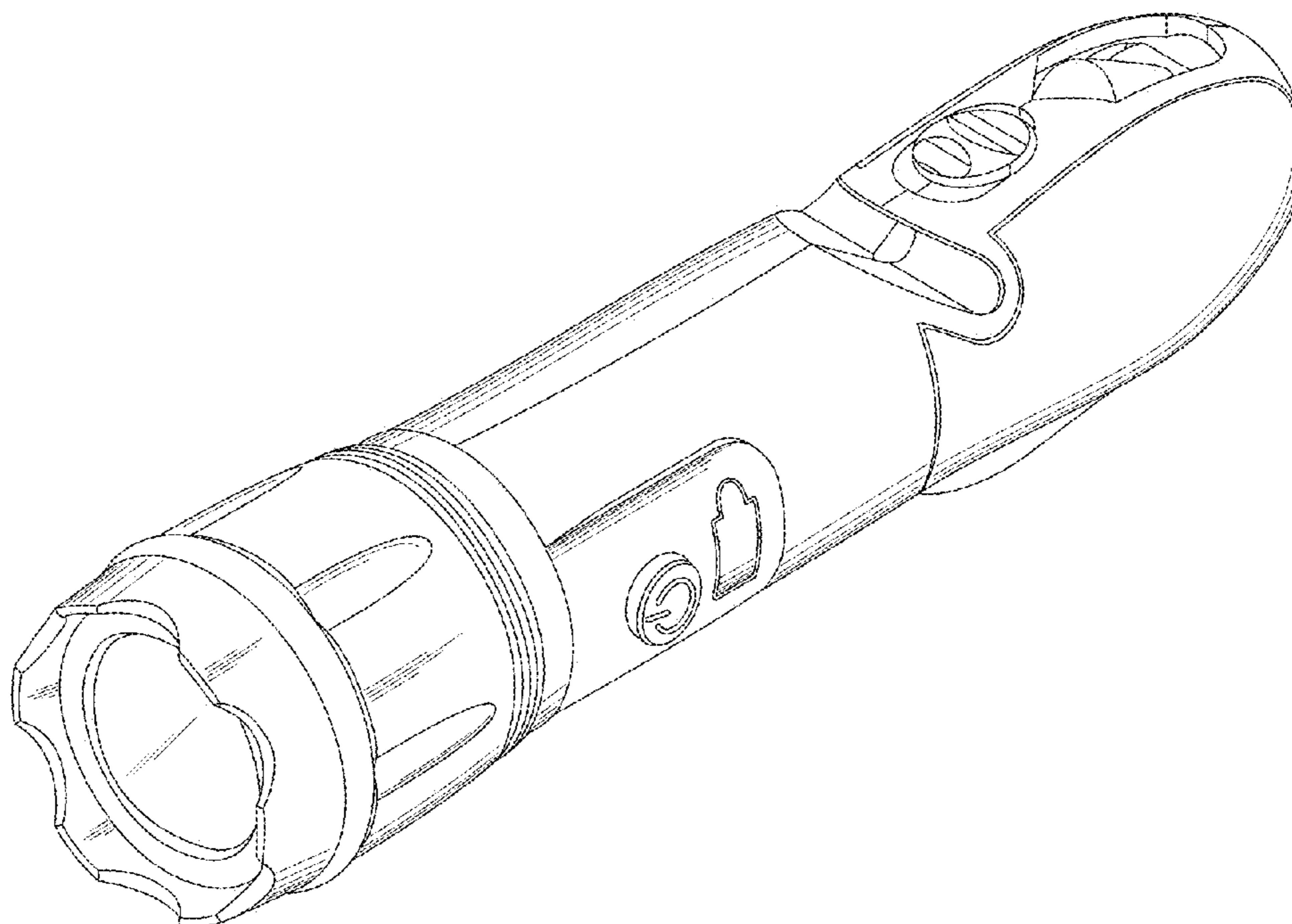
(57) **CLAIM**

The ornamental design for a flashlight, as shown and described.

**DESCRIPTION**

FIG. 1 is a perspective view of a flashlight, showing my new design;  
FIG. 2 is a front elevational view thereof;  
FIG. 3 is a rear elevational view thereof;  
FIG. 4 is a left side elevational view thereof;  
FIG. 5 is a right side elevational view thereof;  
FIG. 6 is a top plan view thereof;  
FIG. 7 is a bottom plan view thereof; and,  
FIG. 8 is another perspective view thereof.  
The broken lines shown in the drawings depict portions of the dashboard camera that form no part of the claimed design.

**1 Claim, 5 Drawing Sheets**



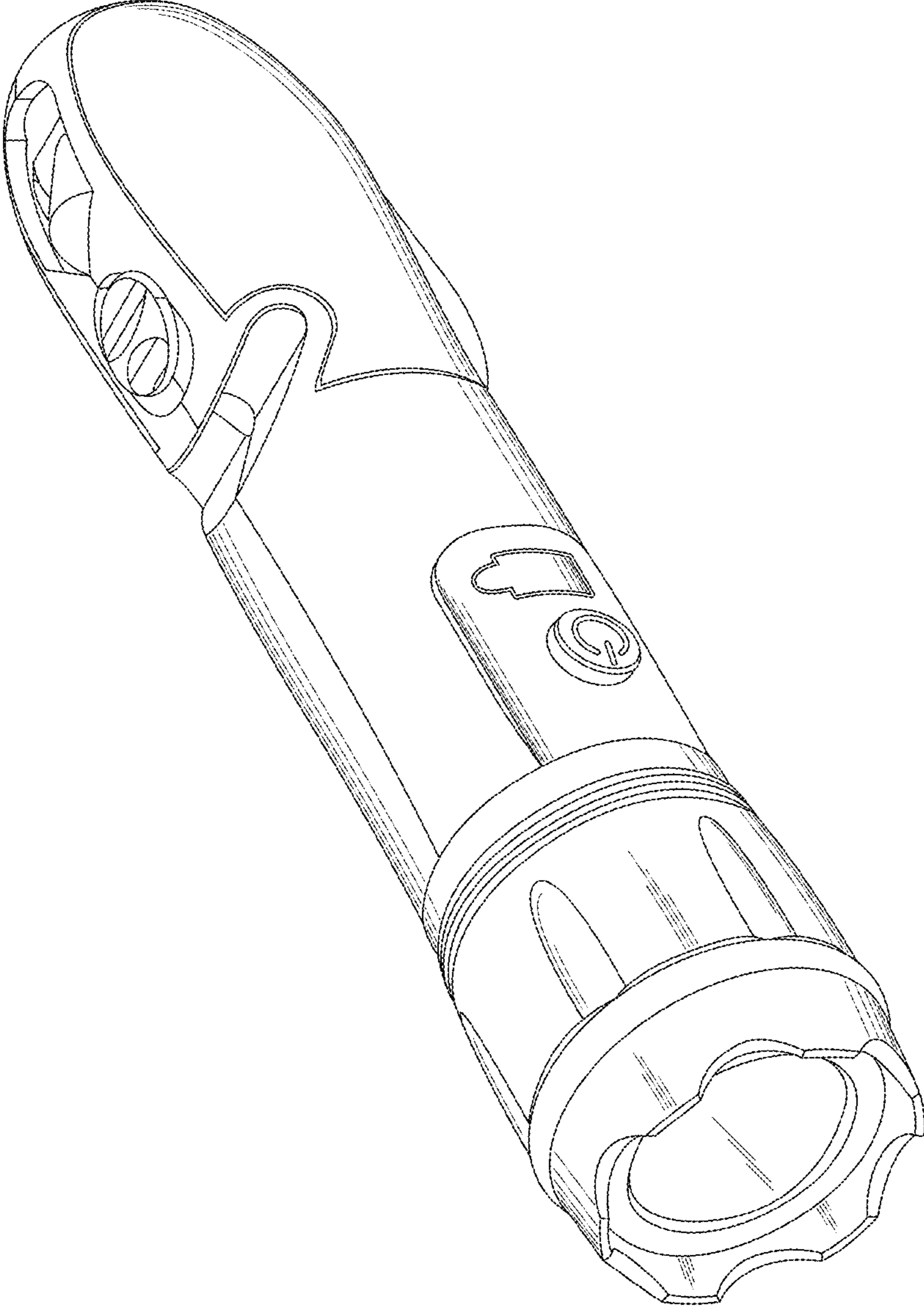


FIG. 1

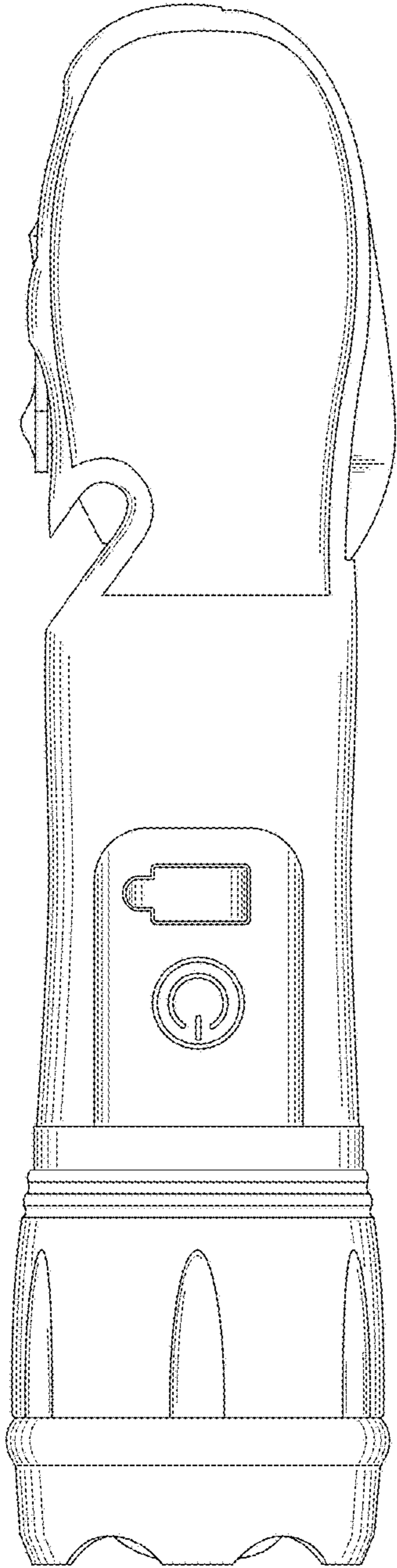


FIG. 2

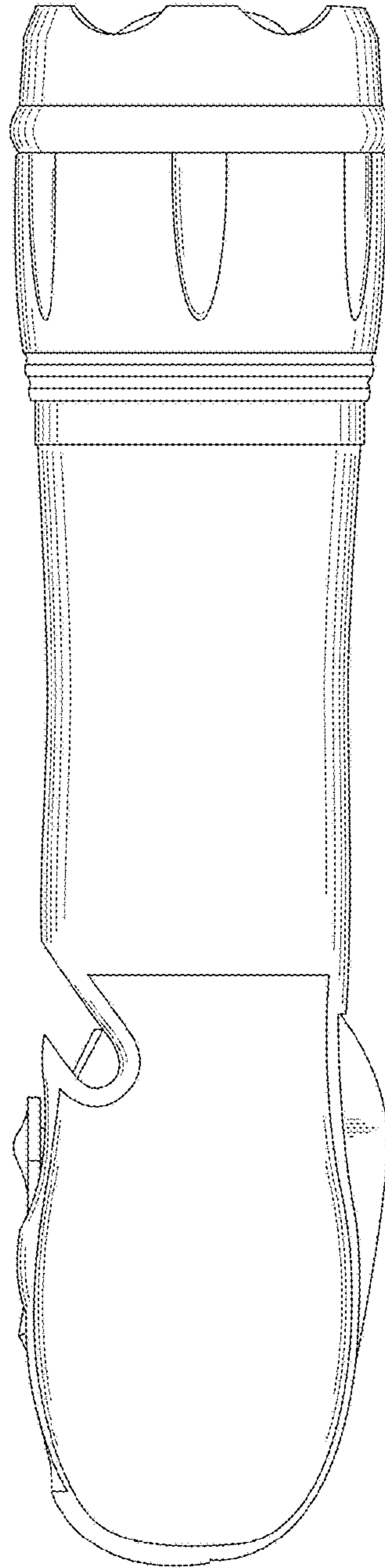


FIG. 3

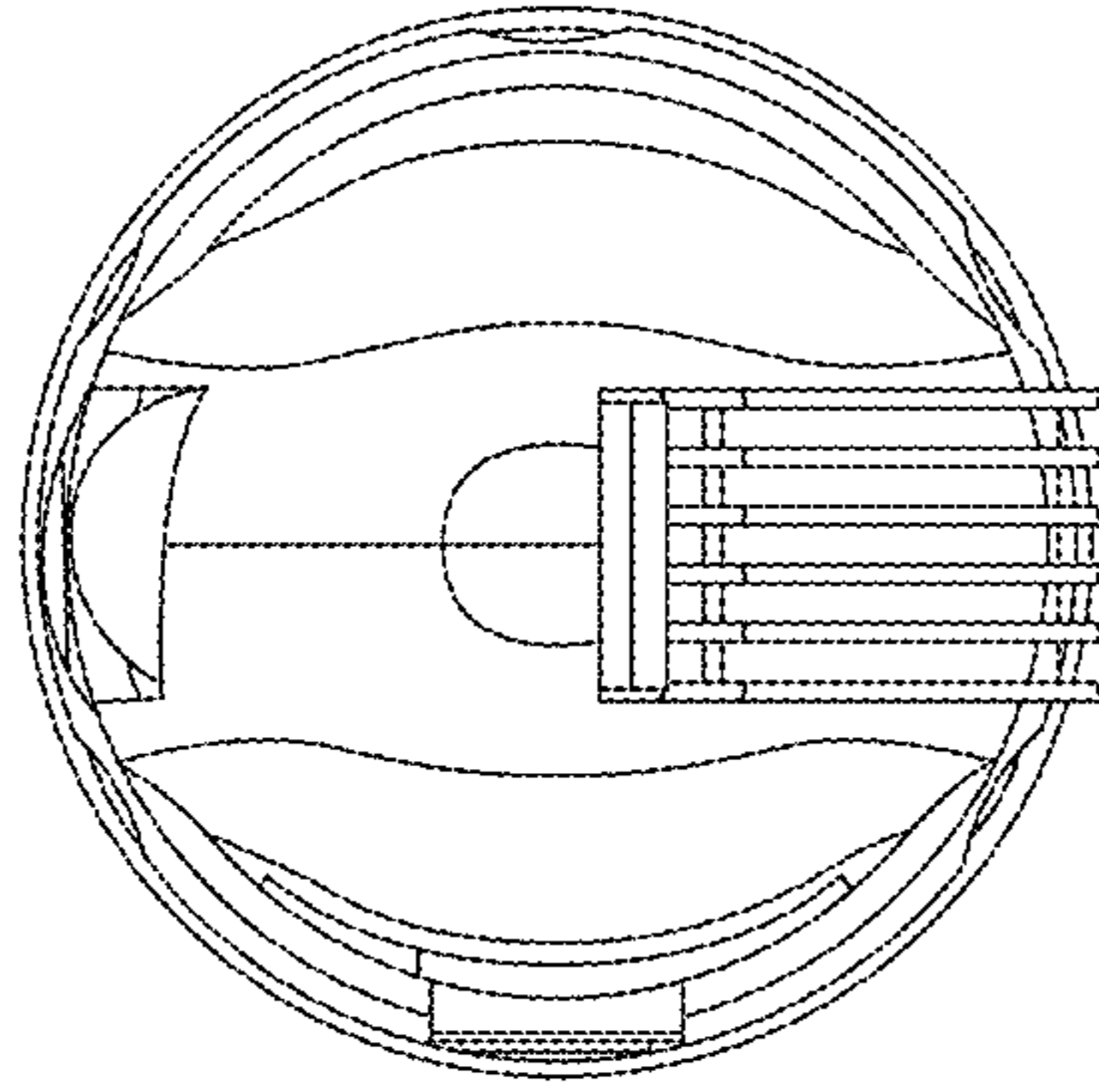


FIG. 5

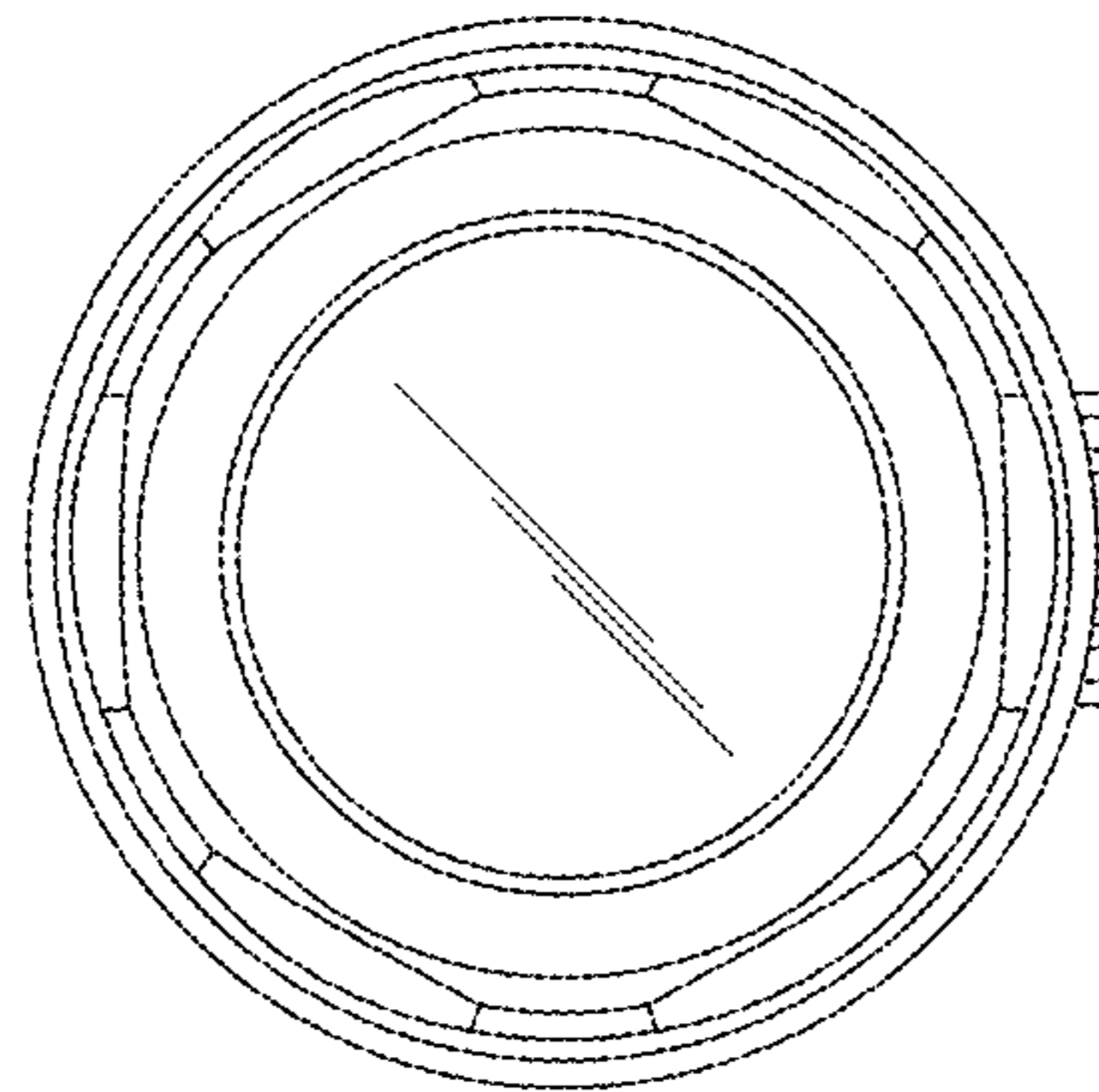


FIG. 4



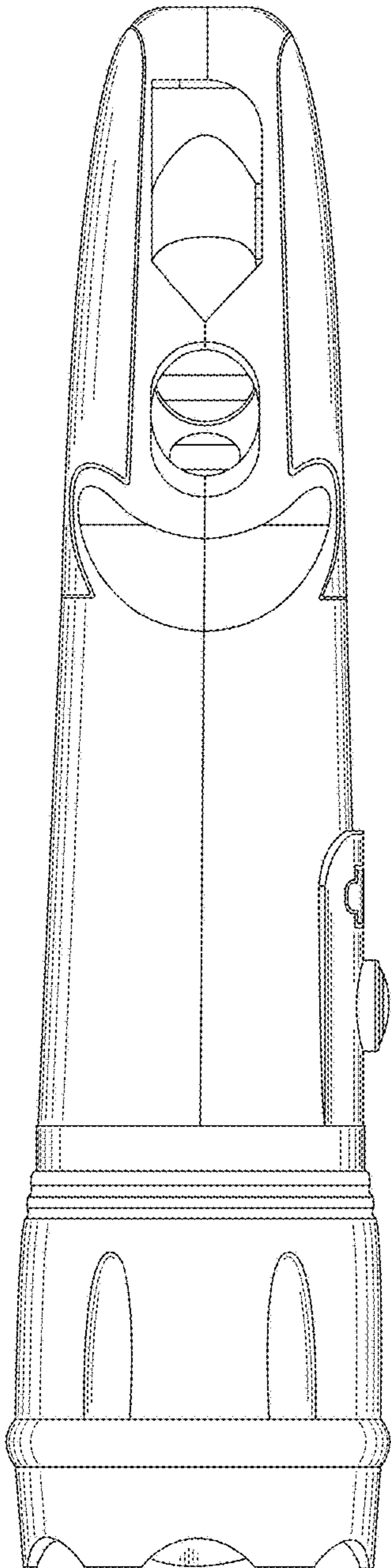


FIG. 6

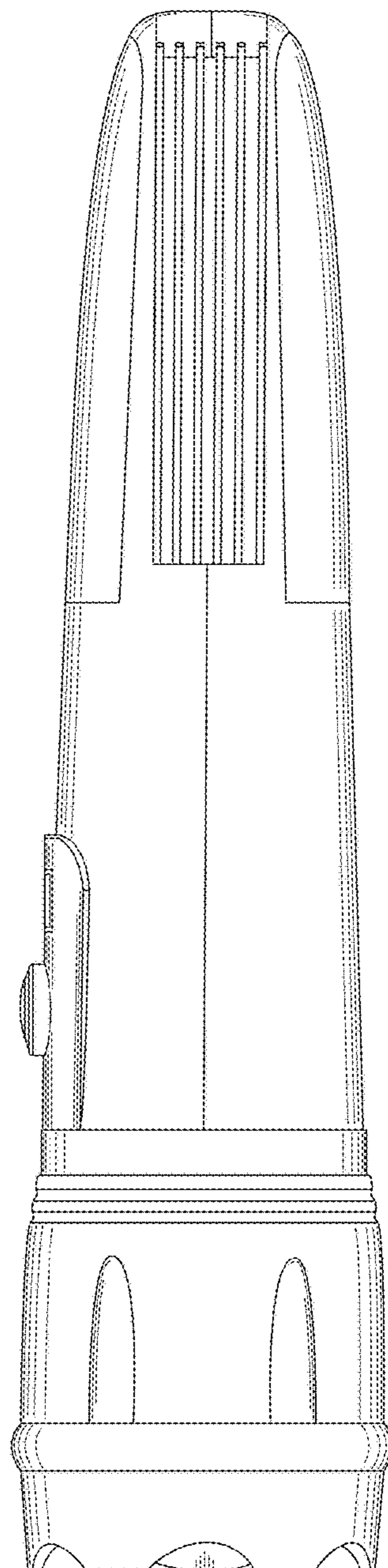


FIG. 7

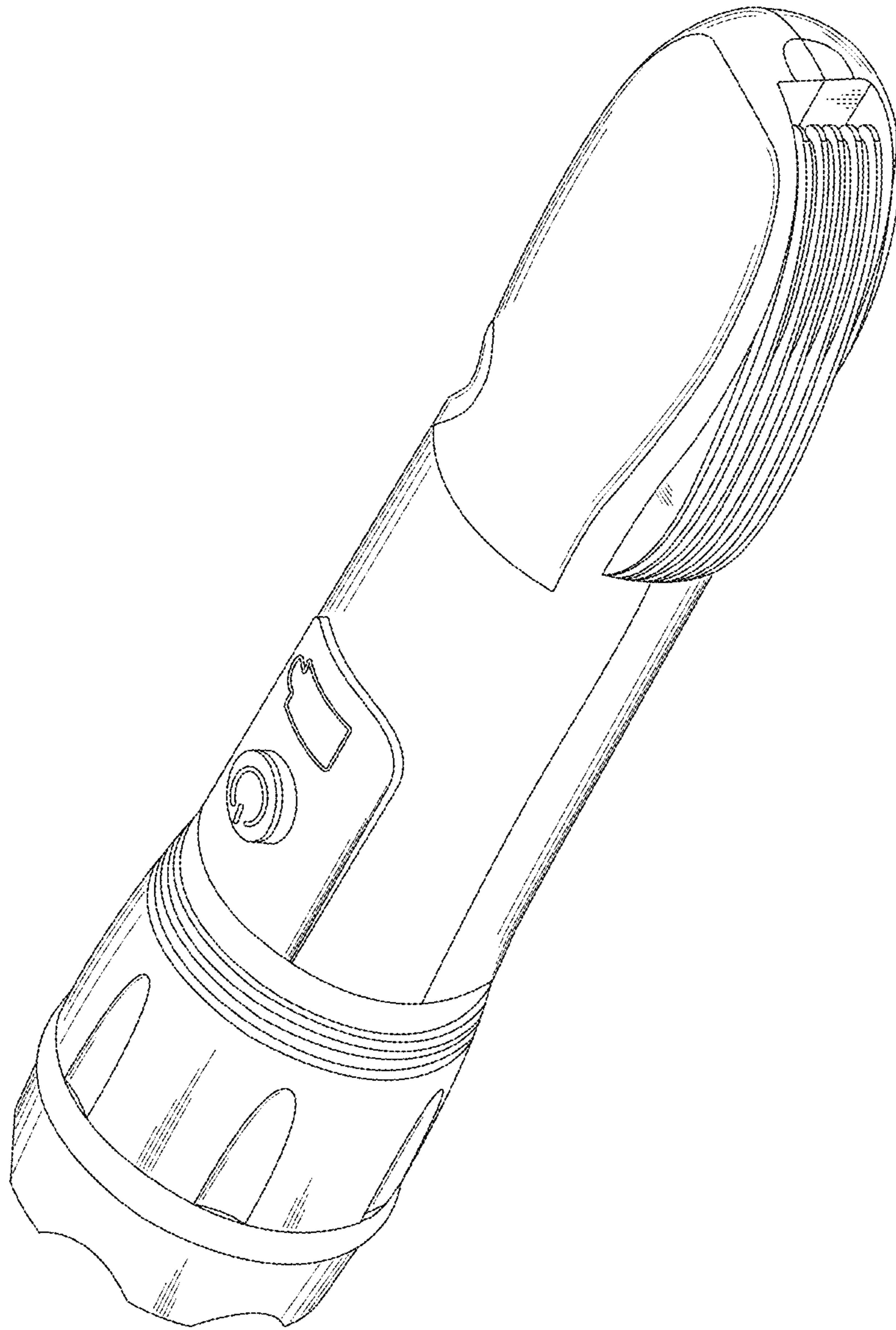


FIG. 8