



US00D832480S

(12) **United States Design Patent**
Qiu

(10) **Patent No.:** **US D832,480 S**

(45) **Date of Patent:** **** Oct. 30, 2018**

(54) **ROTATING LIGHT**

(71) Applicant: **Ningbo Futai Electric Limited,**
Ningbo, Zhejiang (CN)

(72) Inventor: **Fujun Qiu,** Ningbo (CN)

(73) Assignee: **Ningbo Futai Electric Limited,**
Ningbo, Zhejiang (CN)

(**) Term: **15 Years**

(21) Appl. No.: **29/589,327**

(22) Filed: **Dec. 30, 2016**

(30) **Foreign Application Priority Data**

Jun. 30, 2016 (CN) 2016 3 0292988

(51) **LOC (11) Cl.** **26-02**

(52) **U.S. Cl.**
USPC **D26/41**

(58) **Field of Classification Search**
USPC D26/37, 40, 41, 38, 51
CPC F21L 2003/00; F21L 4/00; F21L 4/005;
F21L 4/02; F21L 4/025; F21L 4/027;
F21L 4/04; F21L 4/08; F21L 2005/00;
F21L 7/00; F21L 11/00; F21L 13/00;
F21L 13/04; F21L 13/08; F21L 14/02;
F21L 17/00

See application file for complete search history.

(56) **References Cited**

U.S. PATENT DOCUMENTS

| | | | | |
|--------------|---------|--------|-------|--------|
| D464,454 S * | 10/2002 | Suzuki | | D26/40 |
| D528,689 S * | 9/2006 | Opolka | | D26/37 |
| D608,036 S * | 1/2010 | Lee | | D26/40 |
| D667,577 S * | 9/2012 | Wu | | D26/49 |
| D711,572 S * | 8/2014 | Kwon | | D26/37 |
| D718,480 S * | 11/2014 | Lee | | D26/41 |
| D776,315 S * | 1/2017 | Wu | | D26/41 |
| D783,872 S * | 4/2017 | Aksnes | | D26/41 |
| D787,104 S * | 5/2017 | Wu | | D26/41 |

* cited by examiner

Primary Examiner — Brandon M Rosati

Assistant Examiner — Carissa C Fitts

(74) *Attorney, Agent, or Firm* — Raymond Y. Chan;
David and Raymond Patent Firm

(57) **CLAIM**

The ornamental design for a rotating light, as shown and described.

DESCRIPTION

FIG. 1 is a front perspective view of the rotating light, showing my new design.

FIG. 2 is a front view of the rotating light.

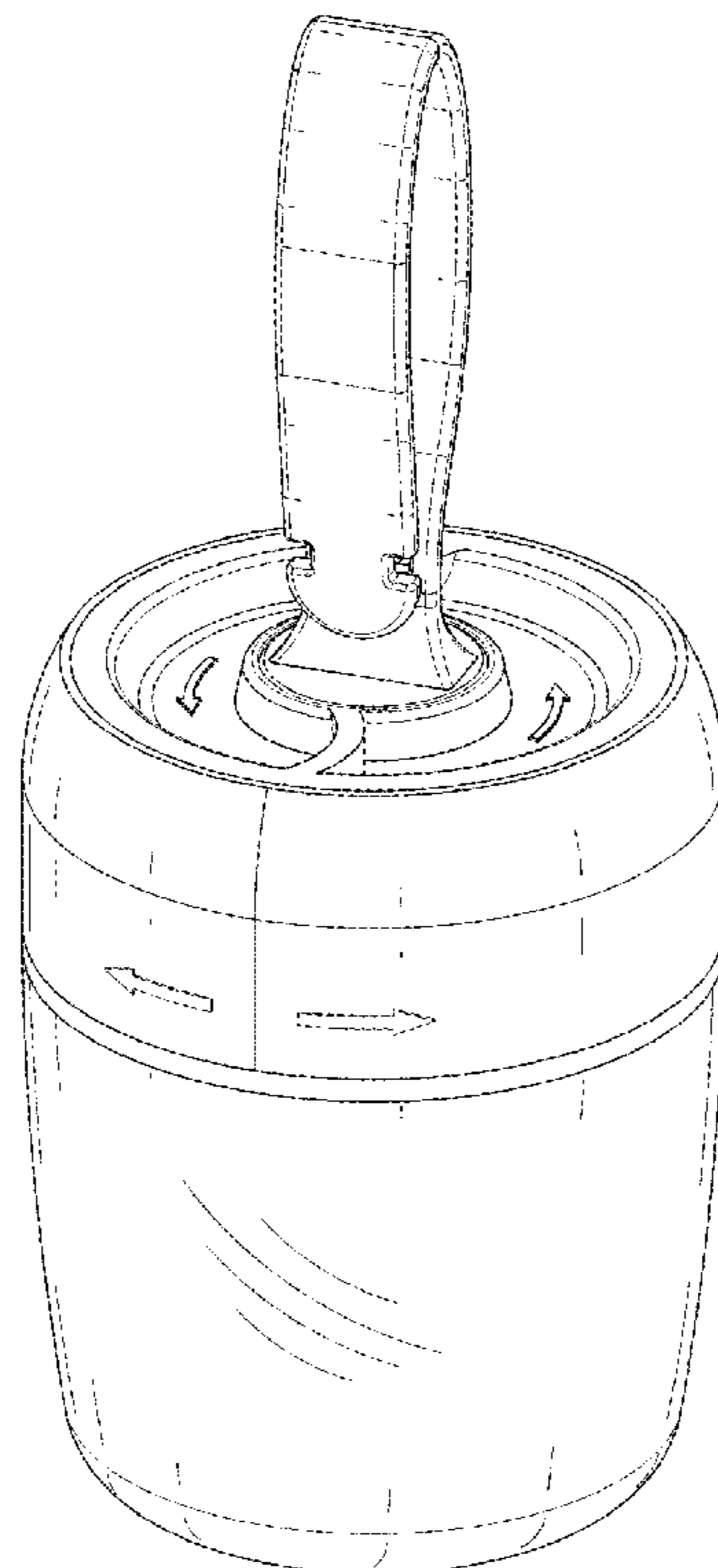
FIG. 3 is a rear view of the rotating light.

FIG. 4 is a left view of the rotating light.

FIG. 5 is a top view of the rotating light; and,

FIG. 6 is a bottom view of the rotating light.

1 Claim, 6 Drawing Sheets



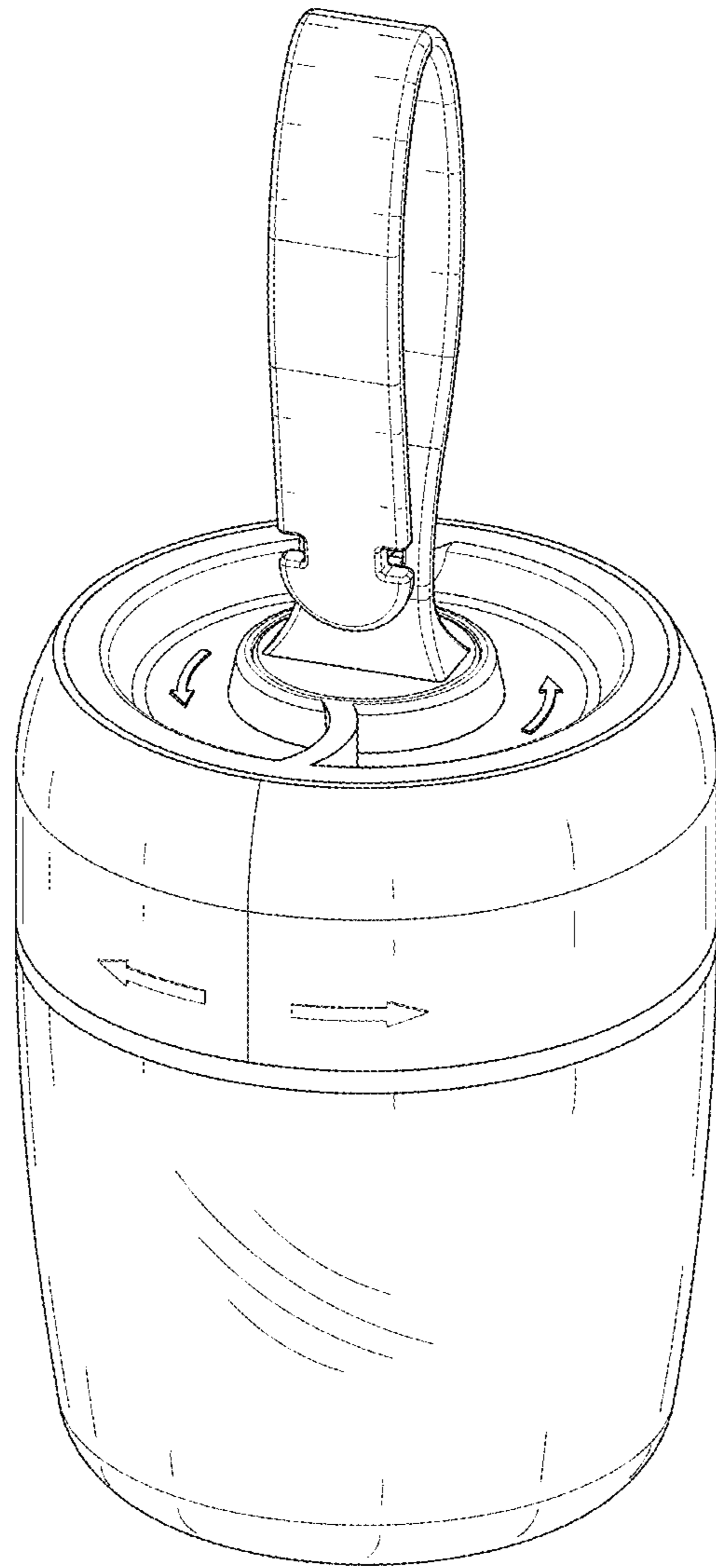


FIG.1

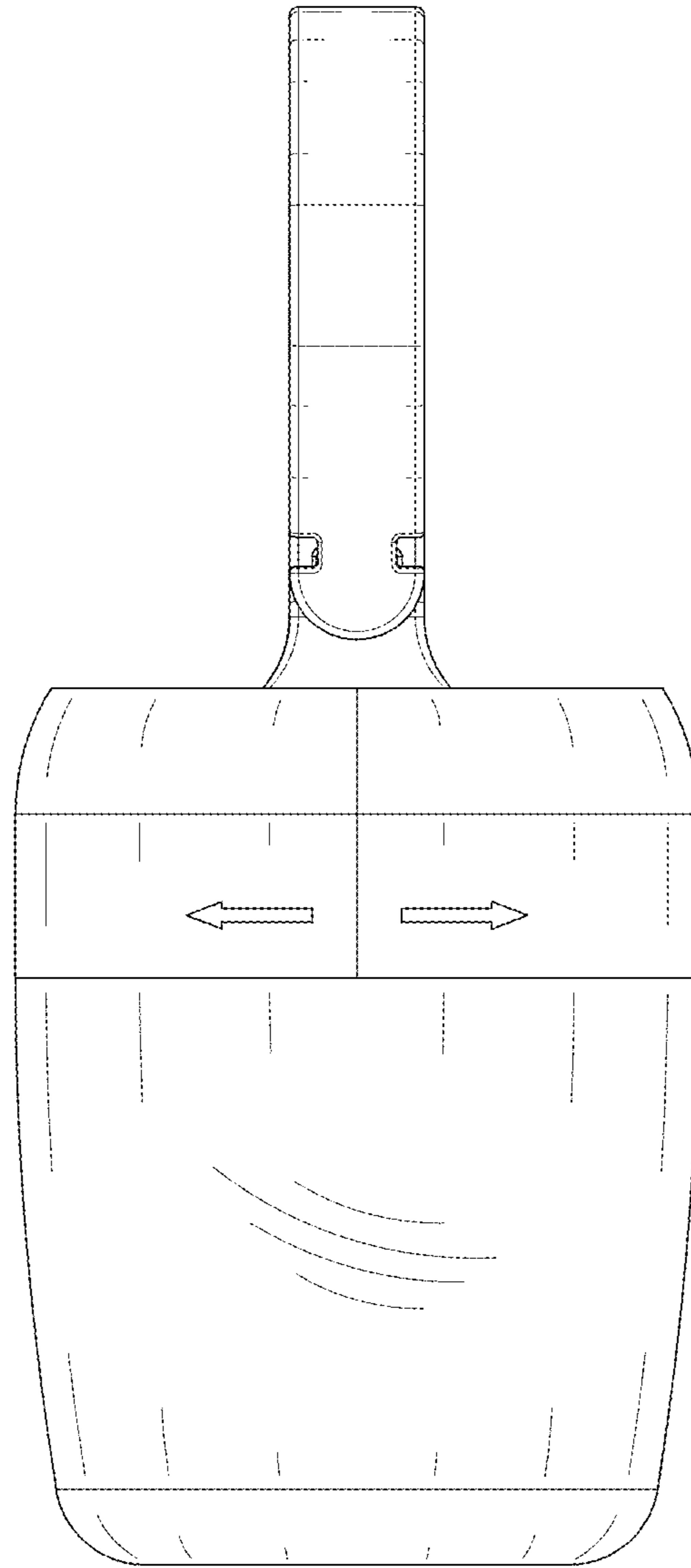


FIG.2

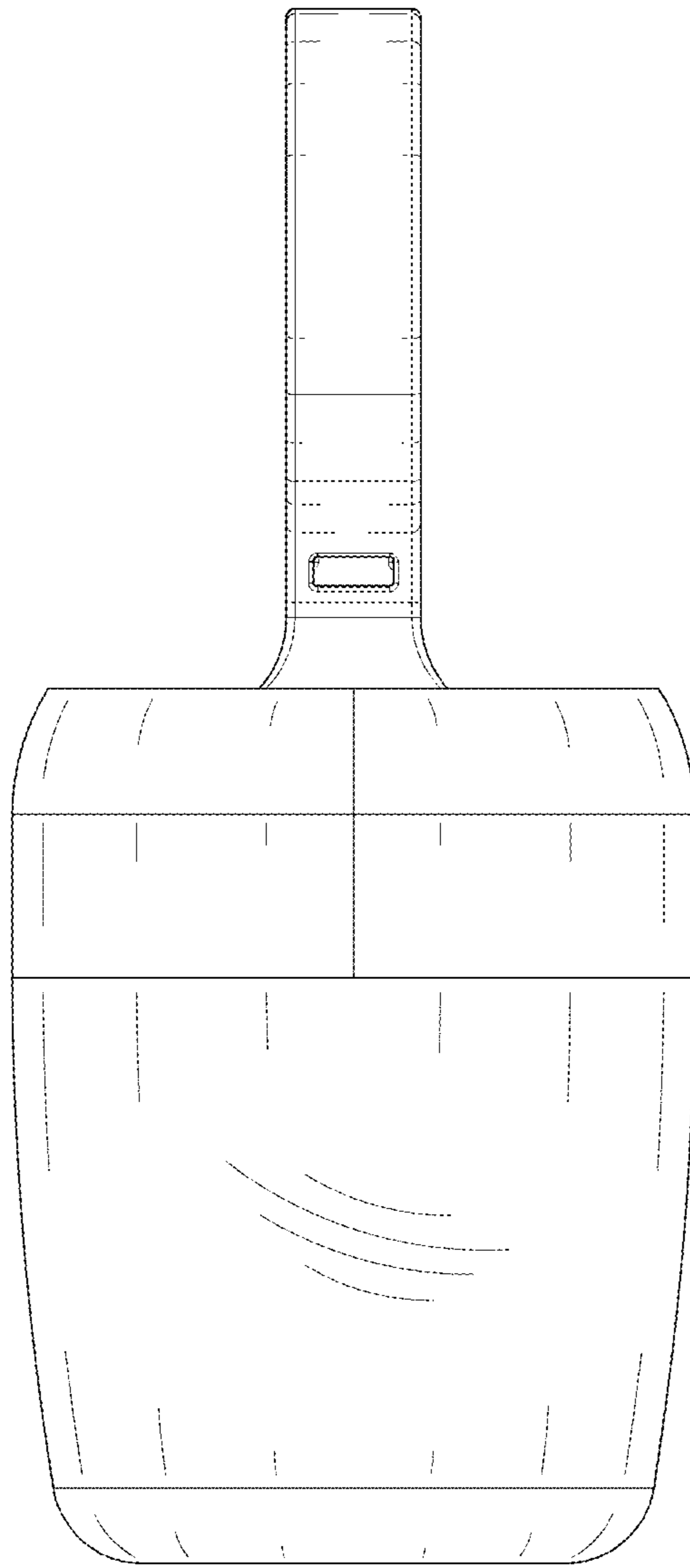


FIG.3

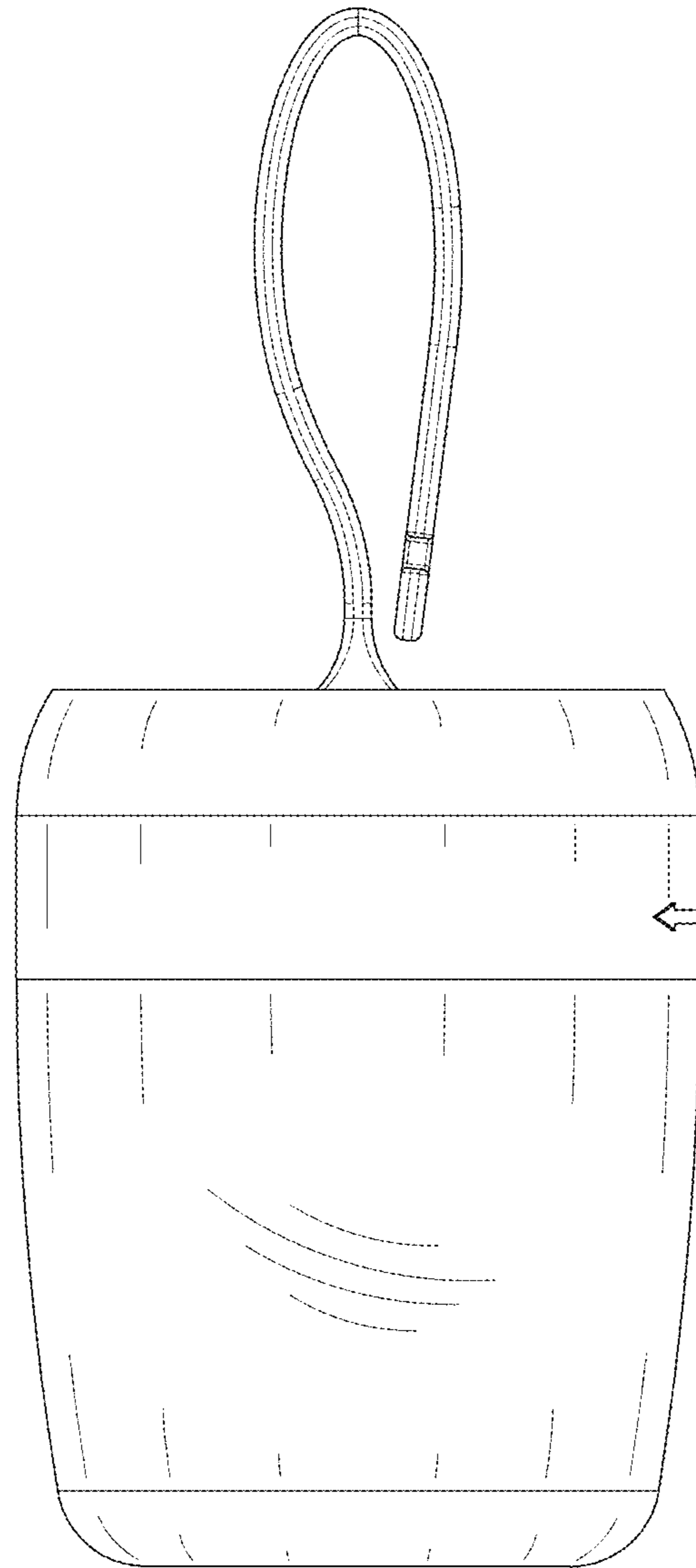


FIG.4

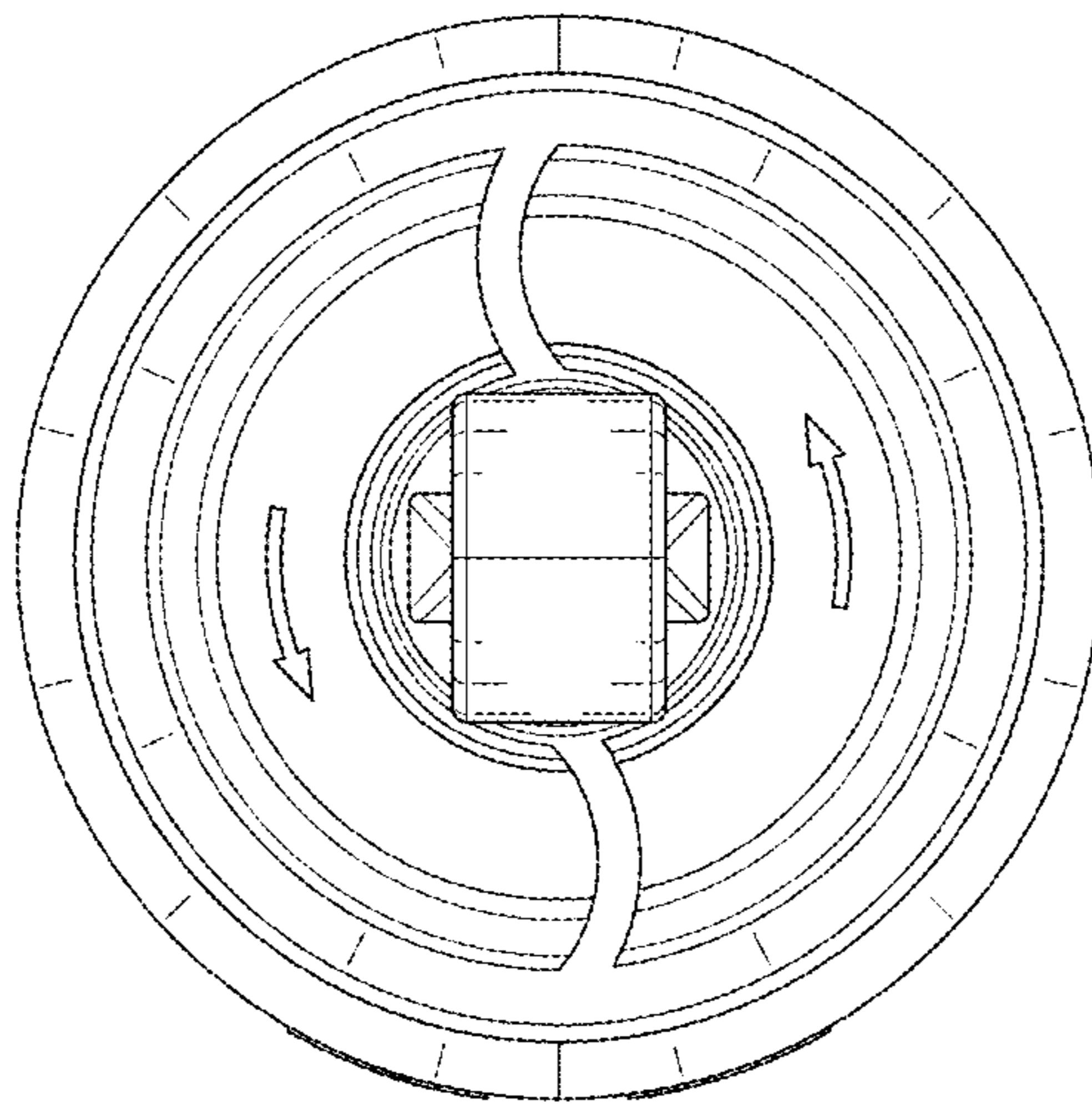


FIG.5

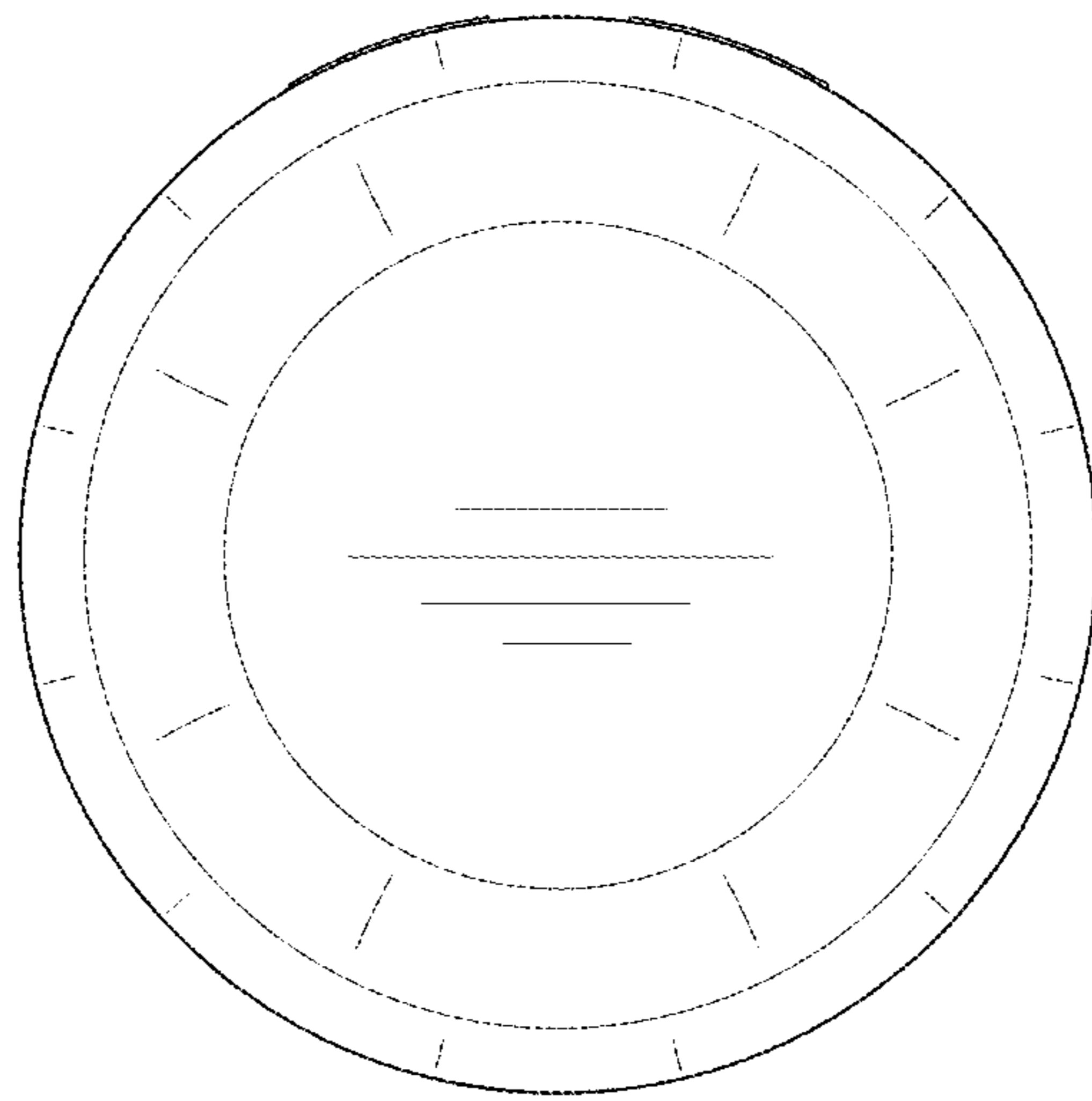


FIG.6