

US00D832476S

(12) **United States Design Patent**  
**Yang**

(10) **Patent No.:** **US D832,476 S**

(45) **Date of Patent:** **\*\* Oct. 30, 2018**

(54) **VEHICLE TAILLIGHT**

(71) Applicant: **SONAR AUTO PARTS CO., LTD.**,  
New Taipei (TW)

(72) Inventor: **Hsiu-Pen Yang**, New Taipei (TW)

(73) Assignee: **SONAR AUTO PARTS CO., LTD.**,  
New Taipei (TW)

(\*\*) Term: **15 Years**

(21) Appl. No.: **29/626,259**

(22) Filed: **Nov. 15, 2017**

(51) **LOC (11) Cl.** ..... **26-06**

(52) **U.S. Cl.**  
USPC ..... **D26/28**

(58) **Field of Classification Search**  
USPC ..... D26/28-36; 362/80-83, 267-269,  
362/459-468, 475-478, 485-487  
CPC ..... F21S 48/00; F21S 48/10; F21S 48/115;  
F21S 48/225; F21S 48/1233; F21S  
48/1266; F21S 48/1388; F21S 48/2268;  
F21V 21/04  
See application file for complete search history.

(56) **References Cited**

**U.S. PATENT DOCUMENTS**

D592,336 S \* 5/2009 Hsu ..... D26/28  
D631,177 S \* 1/2011 Yang ..... D26/28

D637,320 S \* 5/2011 Yang ..... D26/28  
D731,099 S \* 6/2015 Thole ..... D26/28  
D745,711 S \* 12/2015 Lai ..... D26/28  
D749,246 S \* 2/2016 Thole ..... D26/28  
D775,384 S \* 12/2016 Lin ..... D26/28  
D775,385 S \* 12/2016 Lin ..... D26/28

\* cited by examiner

*Primary Examiner* — Marcus Jackson

(74) *Attorney, Agent, or Firm* — Li & Cai Intellectual  
Property (USA) Office

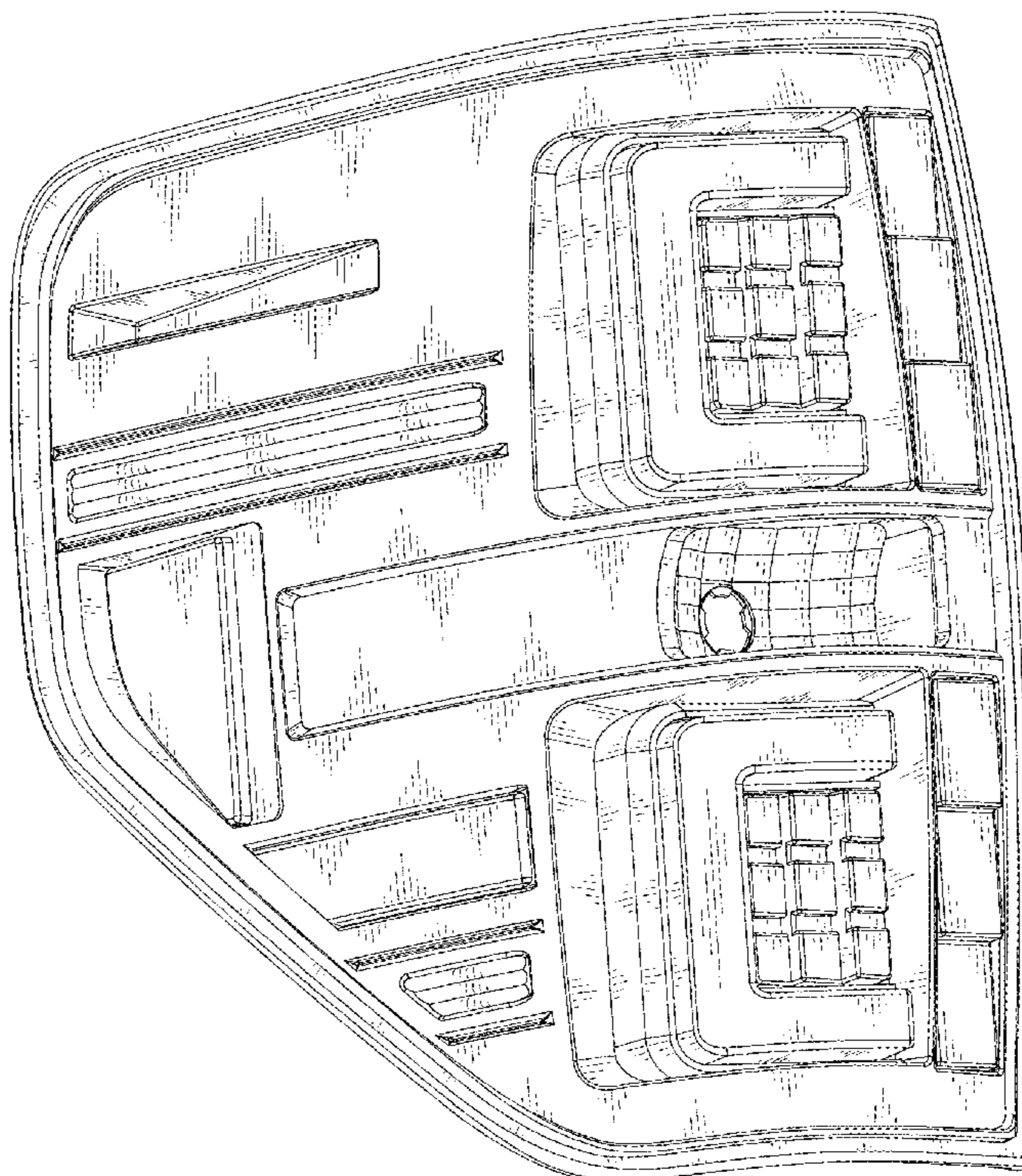
(57) **CLAIM**

The ornamental design for a “vehicle taillight,” as shown  
and described.

**DESCRIPTION**

FIG. 1 is a top and right perspective view of a vehicle  
taillight showing my new design;  
FIG. 2 is a front elevational view thereof;  
FIG. 3 is a rear elevational view thereof;  
FIG. 4 is a left side elevational view thereof;  
FIG. 5 is a right side elevational view thereof;  
FIG. 6 is a top plan view thereof;  
FIG. 7 is a bottom plan view thereof; and,  
FIG. 8 is a bottom and left perspective view thereof.  
The portions in broken lines are shown for illustrative  
purposes only and form no part of the claimed design.

**1 Claim, 8 Drawing Sheets**



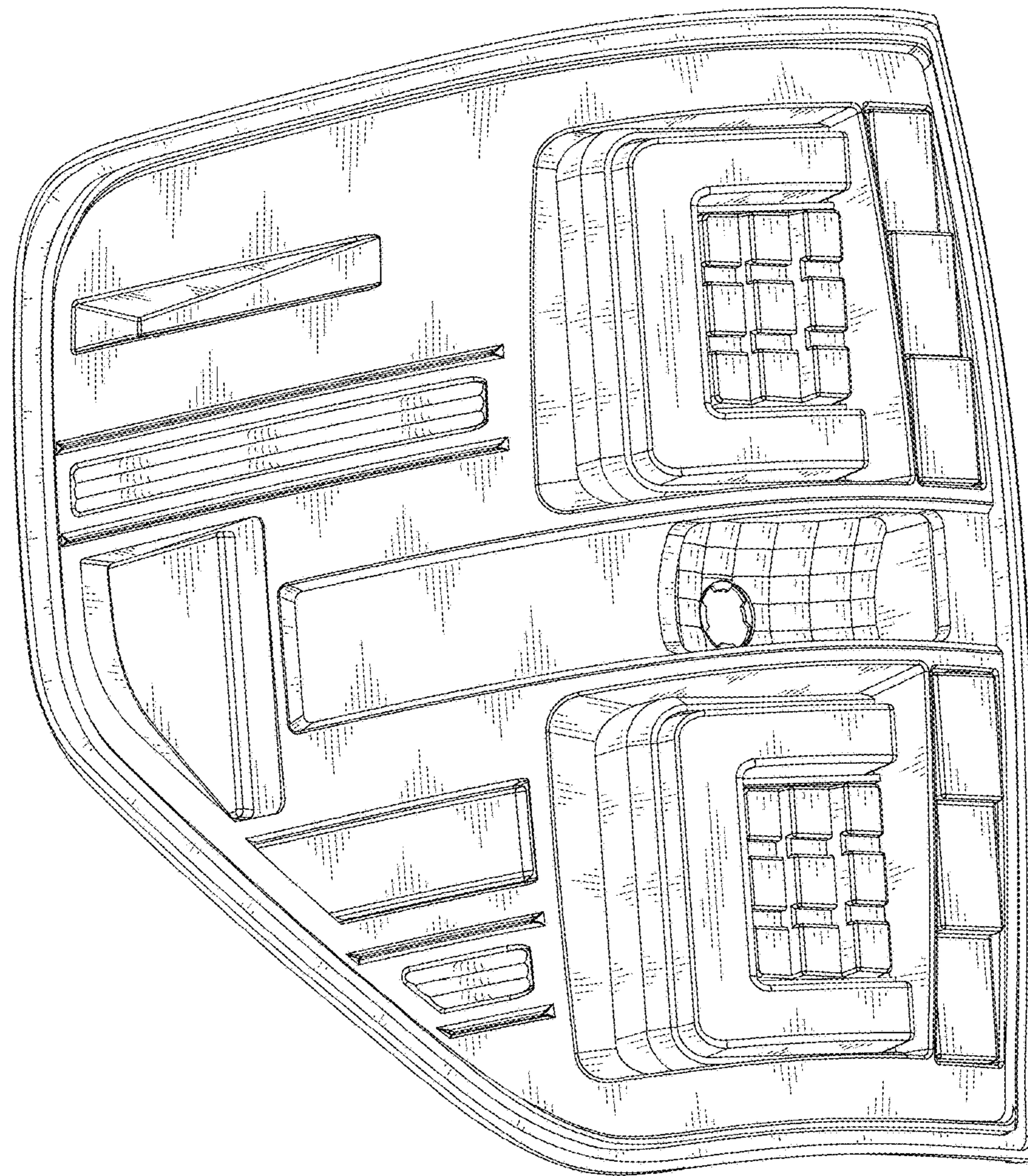


FIG .1

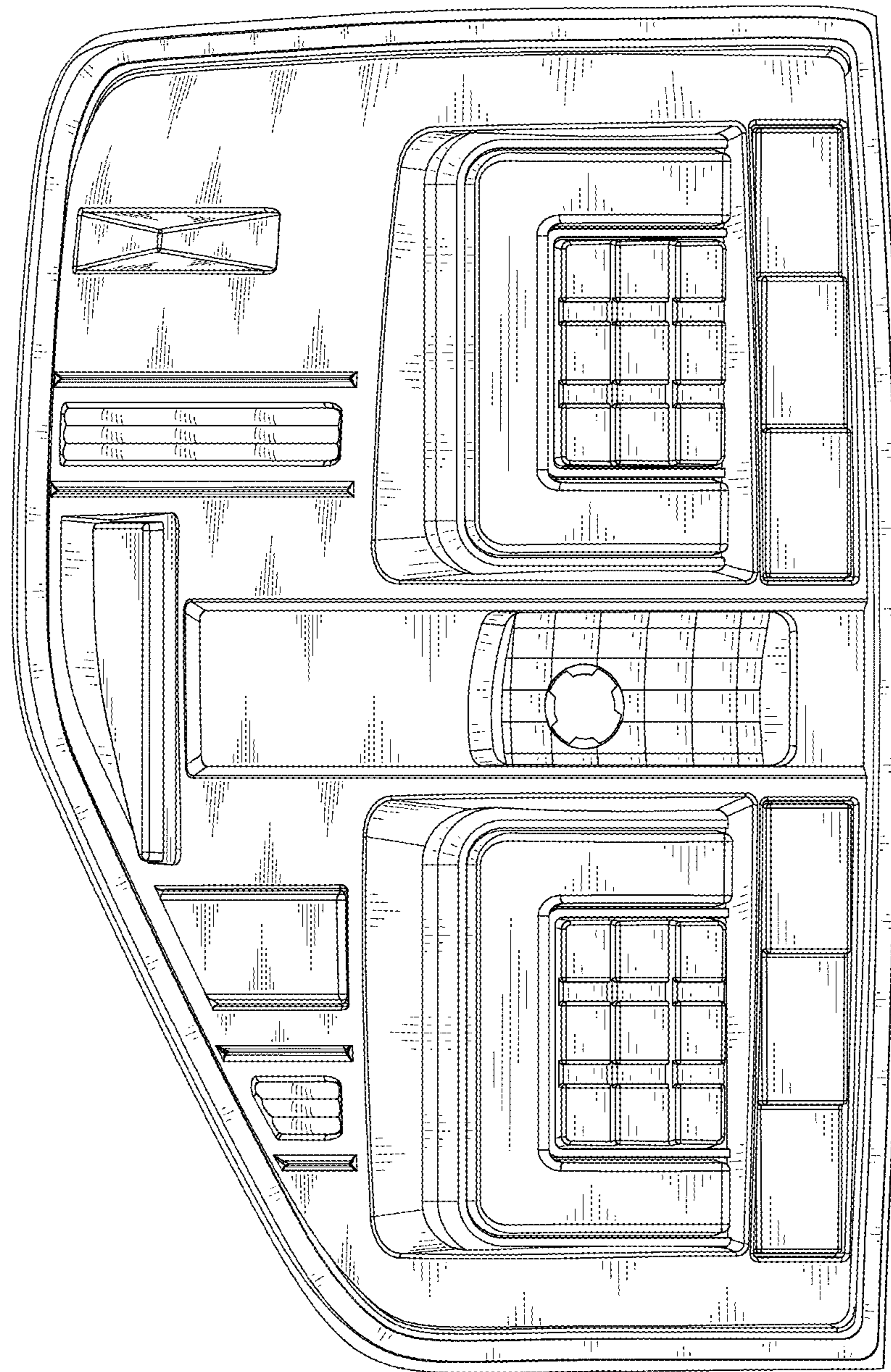


FIG .2

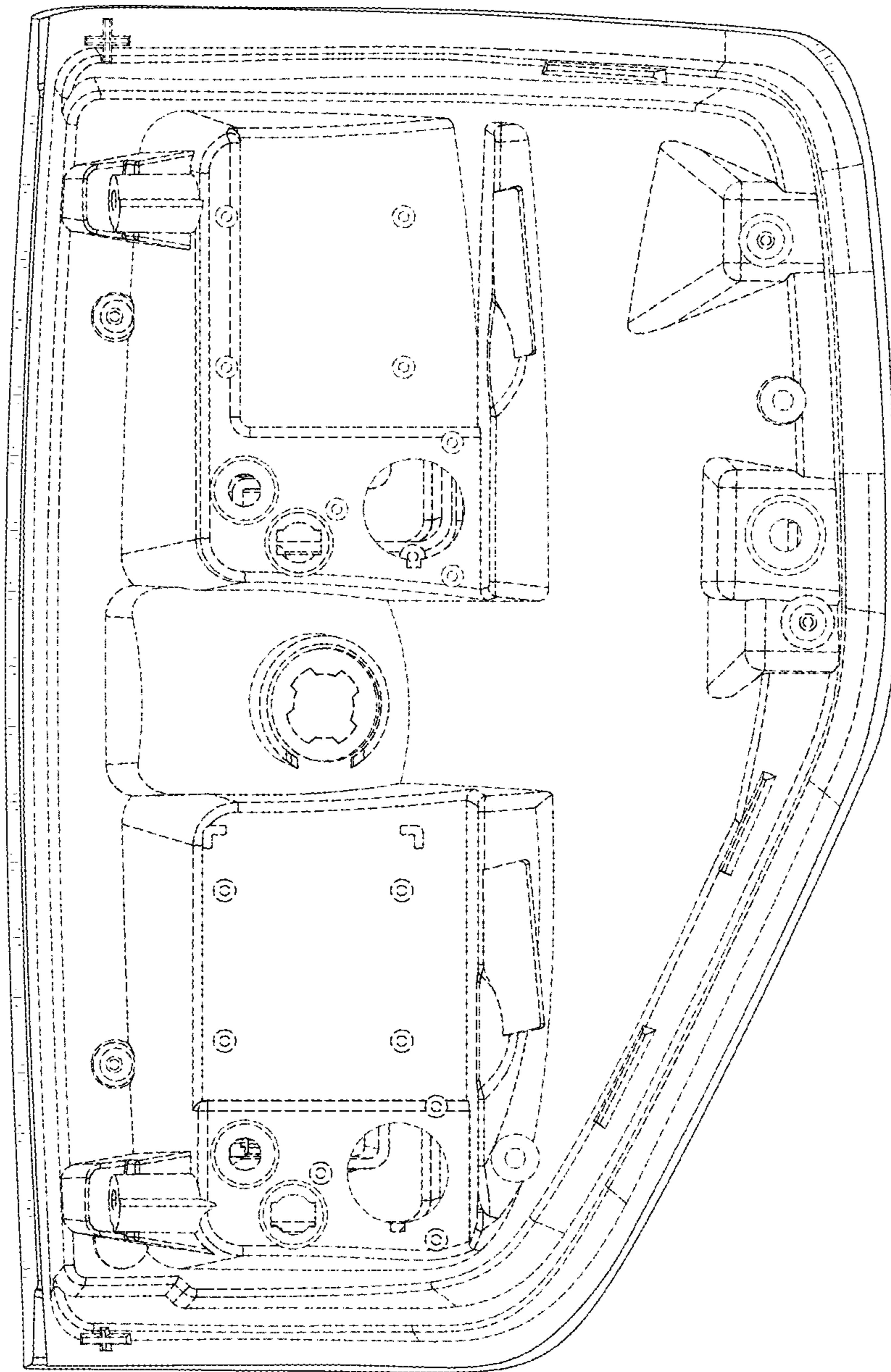


FIG. 3

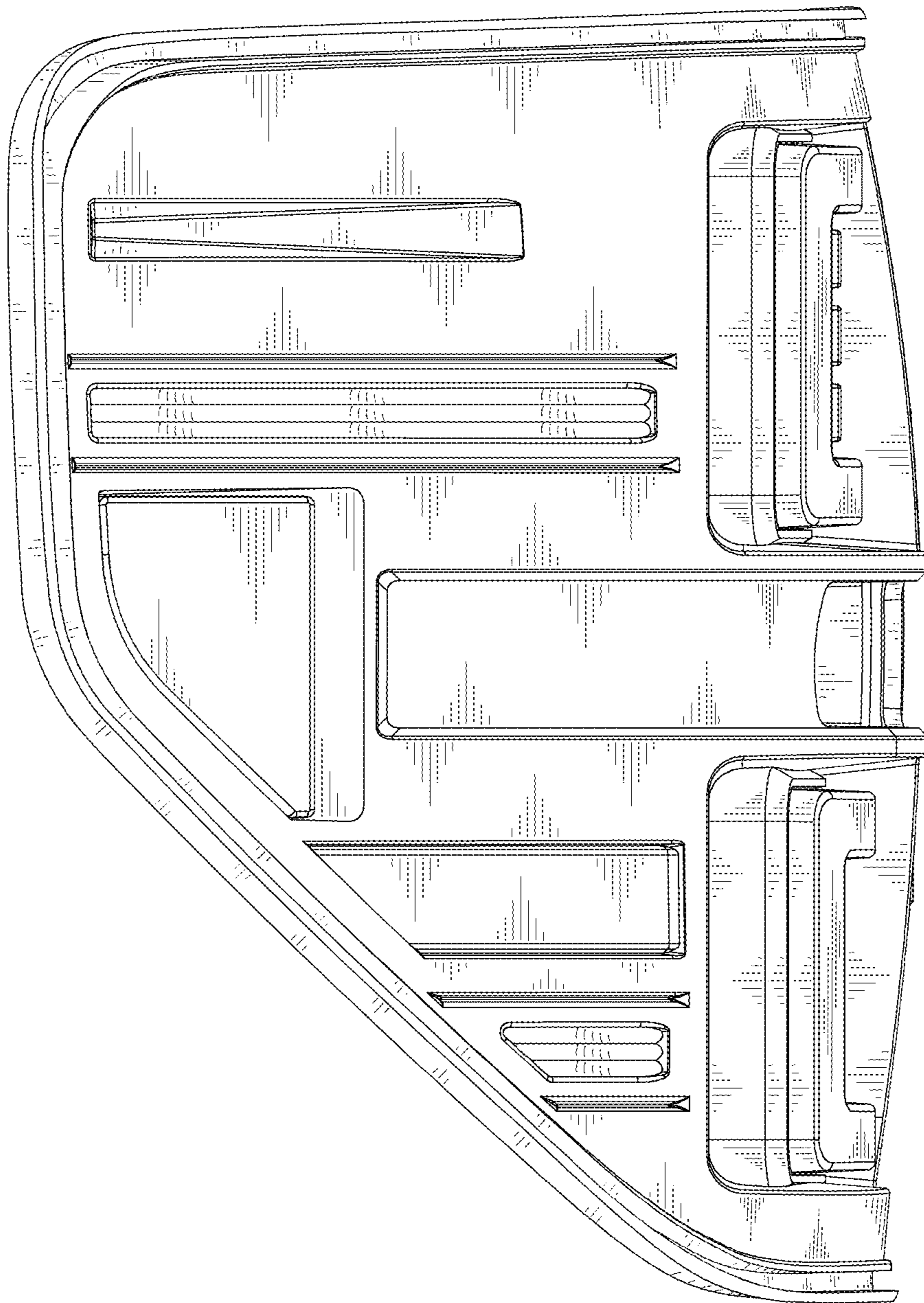


FIG .4

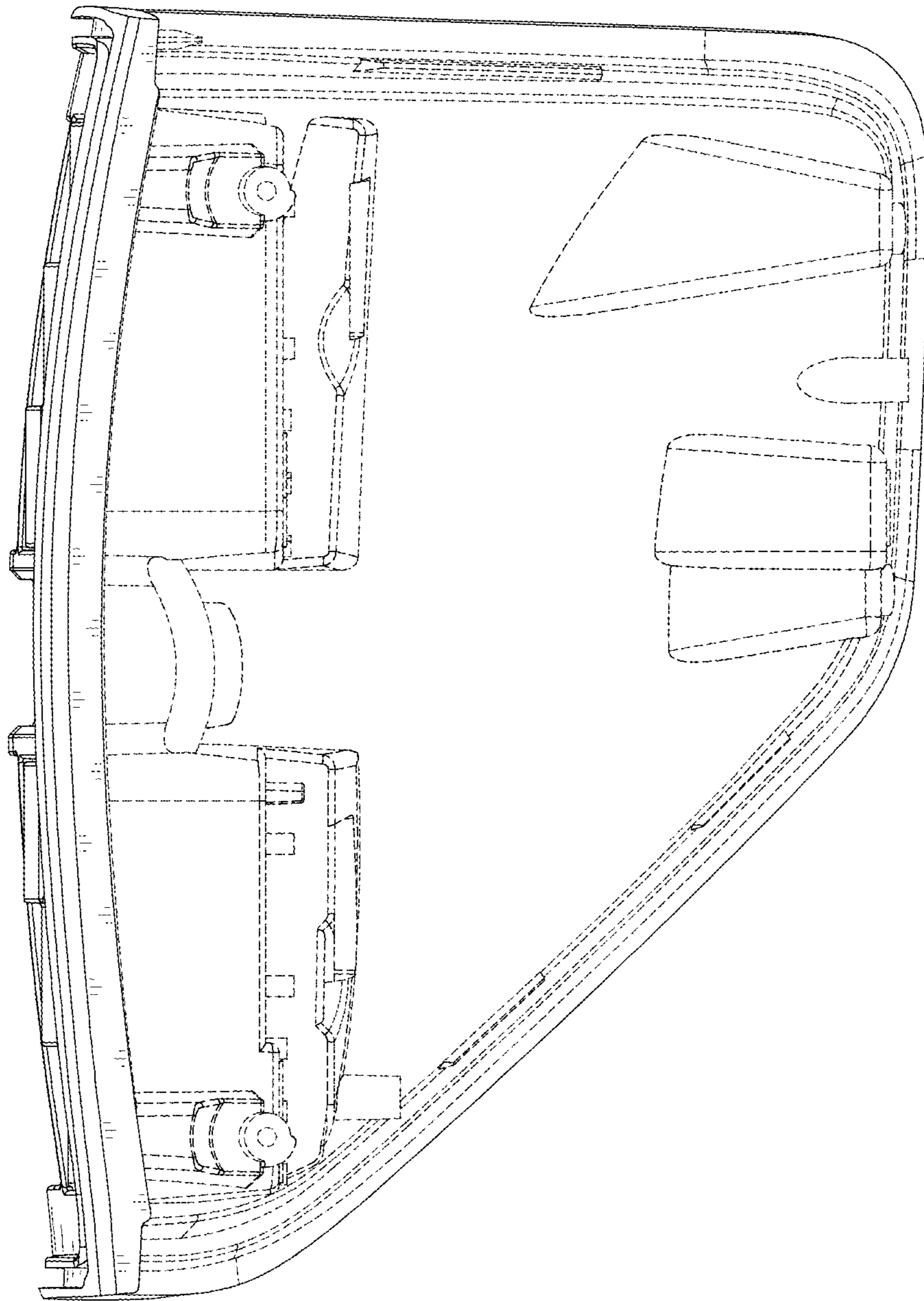


FIG .5

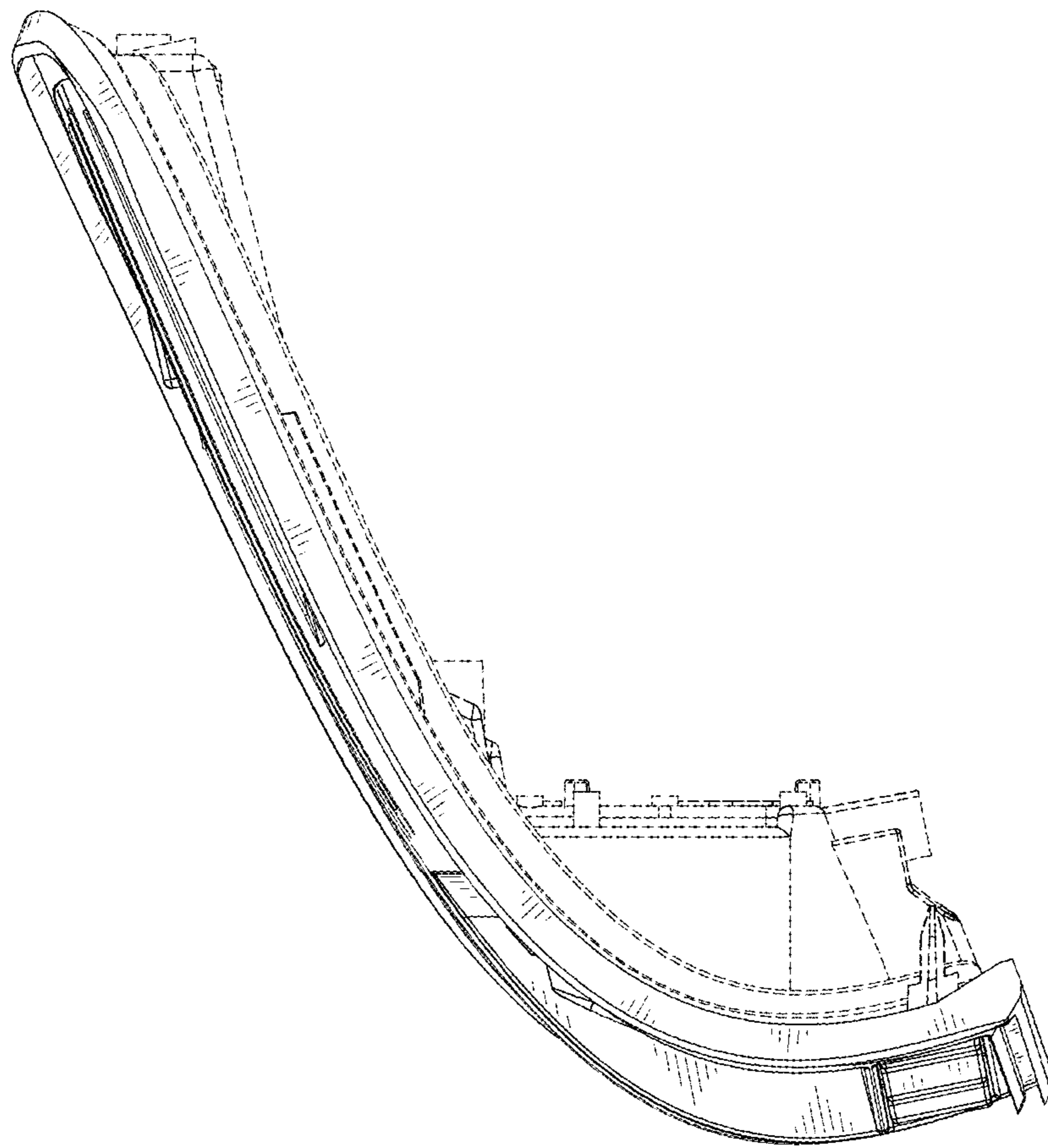


FIG .6

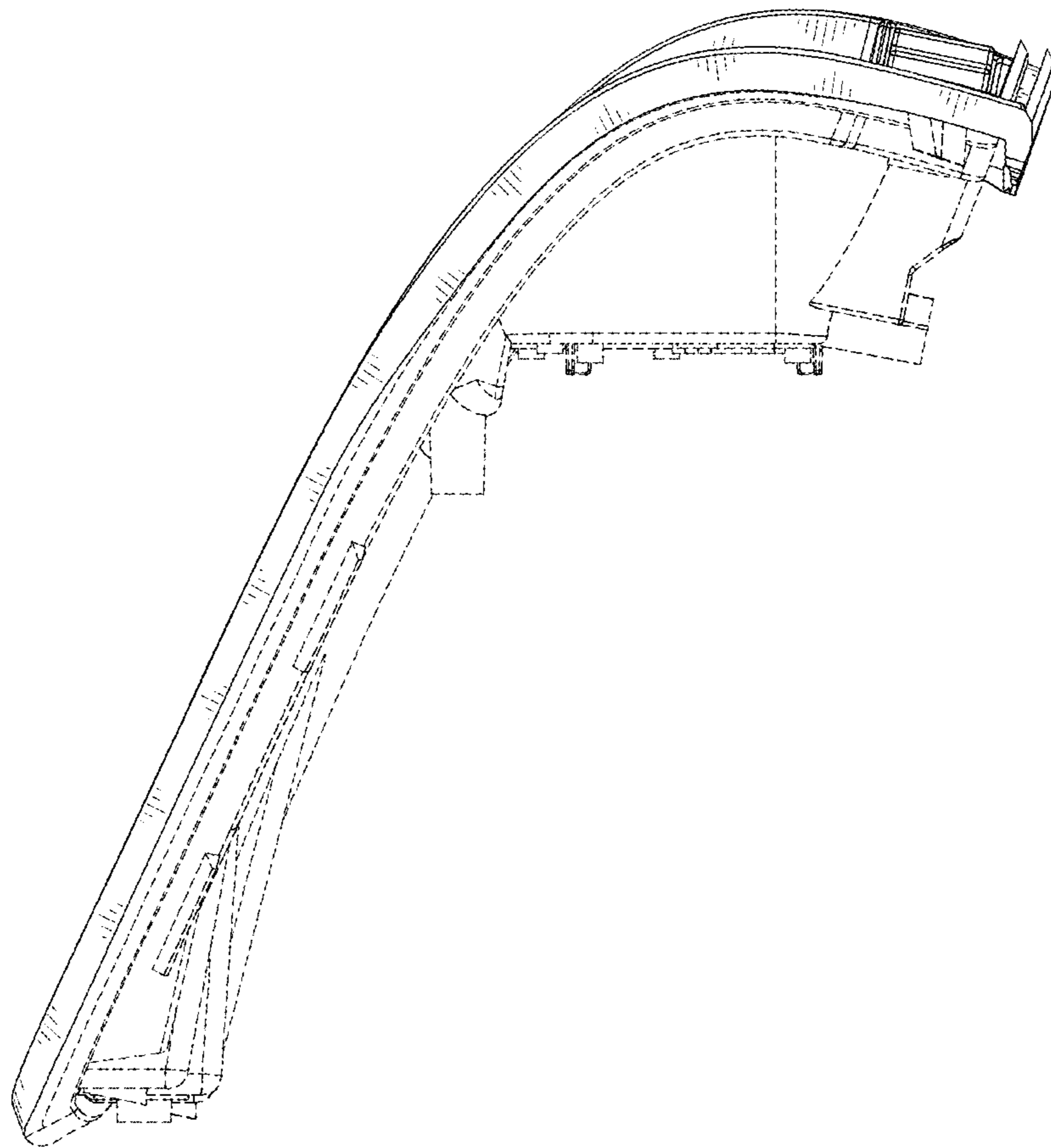


FIG .7



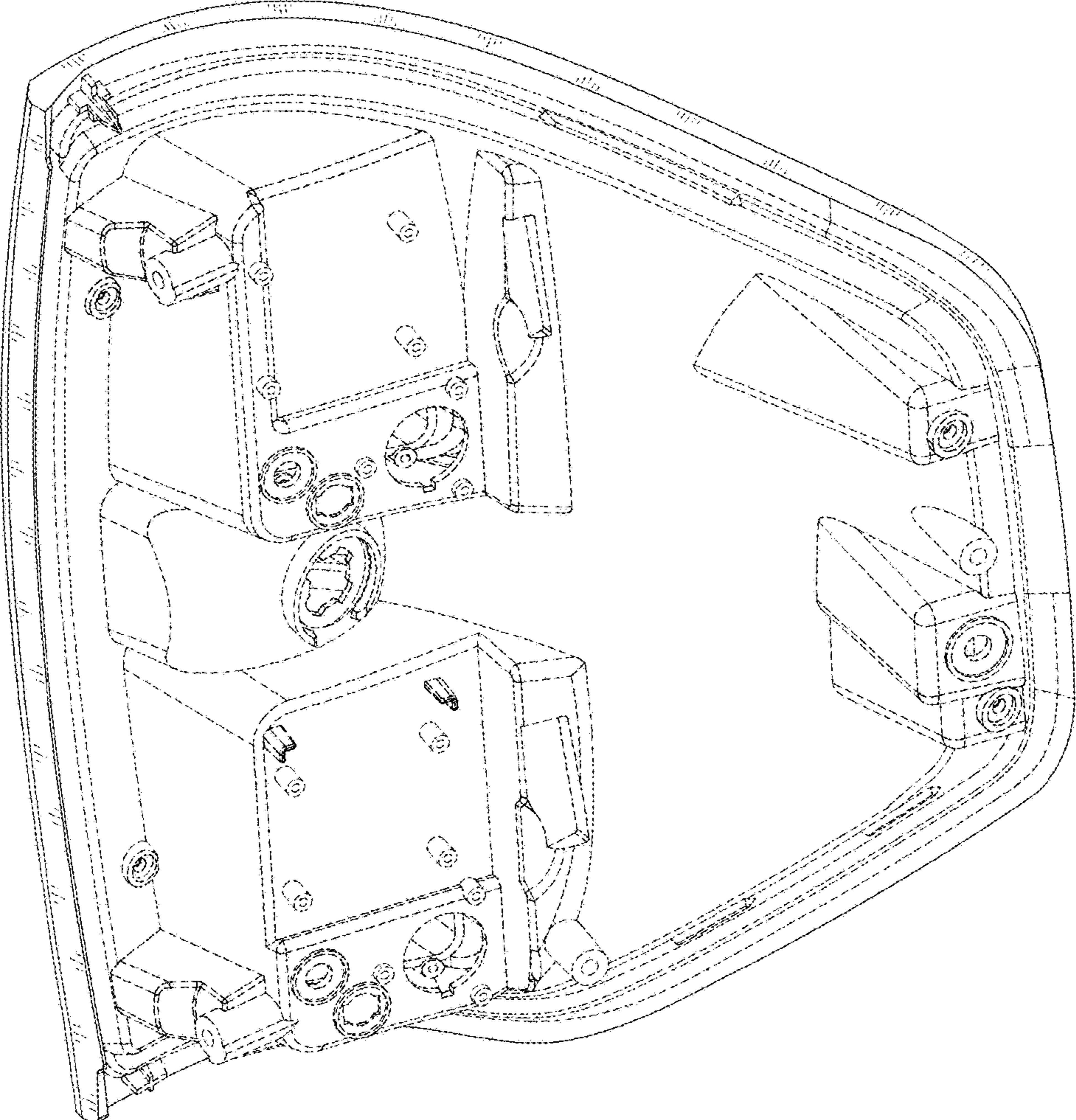


FIG .8