



US00D832471S

(12) **United States Design Patent**  
**Voss**

(10) **Patent No.:** **US D832,471 S**  
(45) **Date of Patent:** **\*\* Oct. 30, 2018**

(54) **FOOTBALL TROPHY CANDLE**

FOREIGN PATENT DOCUMENTS

(71) Applicant: **Voss Solo 401k Trust**, Allen, TX (US)

CN 3606075 1/2007  
CN 2881349 Y 3/2007

(72) Inventor: **John Voss**, Allen, TX (US)

(Continued)

(73) Assignee: **Voss Solo 401k Trust**, Allen, TX (US)

OTHER PUBLICATIONS

(\*\*) Term: **15 Years**

Gadgetsgo, "The Amazing Football Candle," <http://gadgetsgo.com/Amazing-Candle-football-party-NFL-college-gameday-fireworks-parties.html>, Sep. 2, 2015, 2 pages.

(21) Appl. No.: **29/612,346**

(22) Filed: **Jul. 31, 2017**

*Primary Examiner* — Elizabeth J Oswecki

(74) *Attorney, Agent, or Firm* — Slater Matsil, LLP

**Related U.S. Application Data**

(62) Division of application No. 29/538,332, filed on Sep. 2, 2015, now Pat. No. Des. 797,962.

(51) **LOC (11) Cl.** ..... **26-01**

(52) **U.S. Cl.**  
USPC ..... **D26/14**; D11/125; D26/13; D26/16

(58) **Field of Classification Search**  
USPC ..... D11/117, 121, 125, 130, 131, 157, 164;  
D26/1, 4-10, 24, 93, 94, 96, 13, 14, 15,  
D26/16, 23; D21/318, 357, 712, 788  
CPC ..... F21S 2/00; F21S 2/001; F21S 4/00; F21S  
4/10; F21S 6/00; F21S 6/001; F21S  
10/04; F21S 10/00; F21S 10/043; F21S  
10/046; F21W 2121/00; F21W 2121/002;  
A47G 2033/0827; A47G 33/00; A47G  
33/004; A47G 33/08

See application file for complete search history.

(57) **CLAIM**

The ornamental design for a football trophy candle, as shown and described.

**DESCRIPTION**

FIG. 1 is a top, front, right side perspective view of a first embodiment of a football trophy candle, showing my new design in an open position;  
FIG. 2 is a front view thereof;  
FIG. 3 is a rear view thereof;  
FIG. 4 is a right side view thereof;  
FIG. 5 is a left side view thereof;  
FIG. 6 is a top view thereof;  
FIG. 7 is a bottom view thereof;  
FIG. 8 is a top, front, right side perspective view of a second embodiment of a football trophy candle, showing my new design in an open position;  
FIG. 9 is a front view thereof;  
FIG. 10 is a rear view thereof;  
FIG. 11 is a right side view thereof;  
FIG. 12 is a left side view thereof;  
FIG. 13 is a top view thereof; and,  
FIG. 14 is a bottom view thereof.

The broken-line disclosure of elements is understood to represent portions of the article in which the design is embodied, but which form no part of the claimed design.

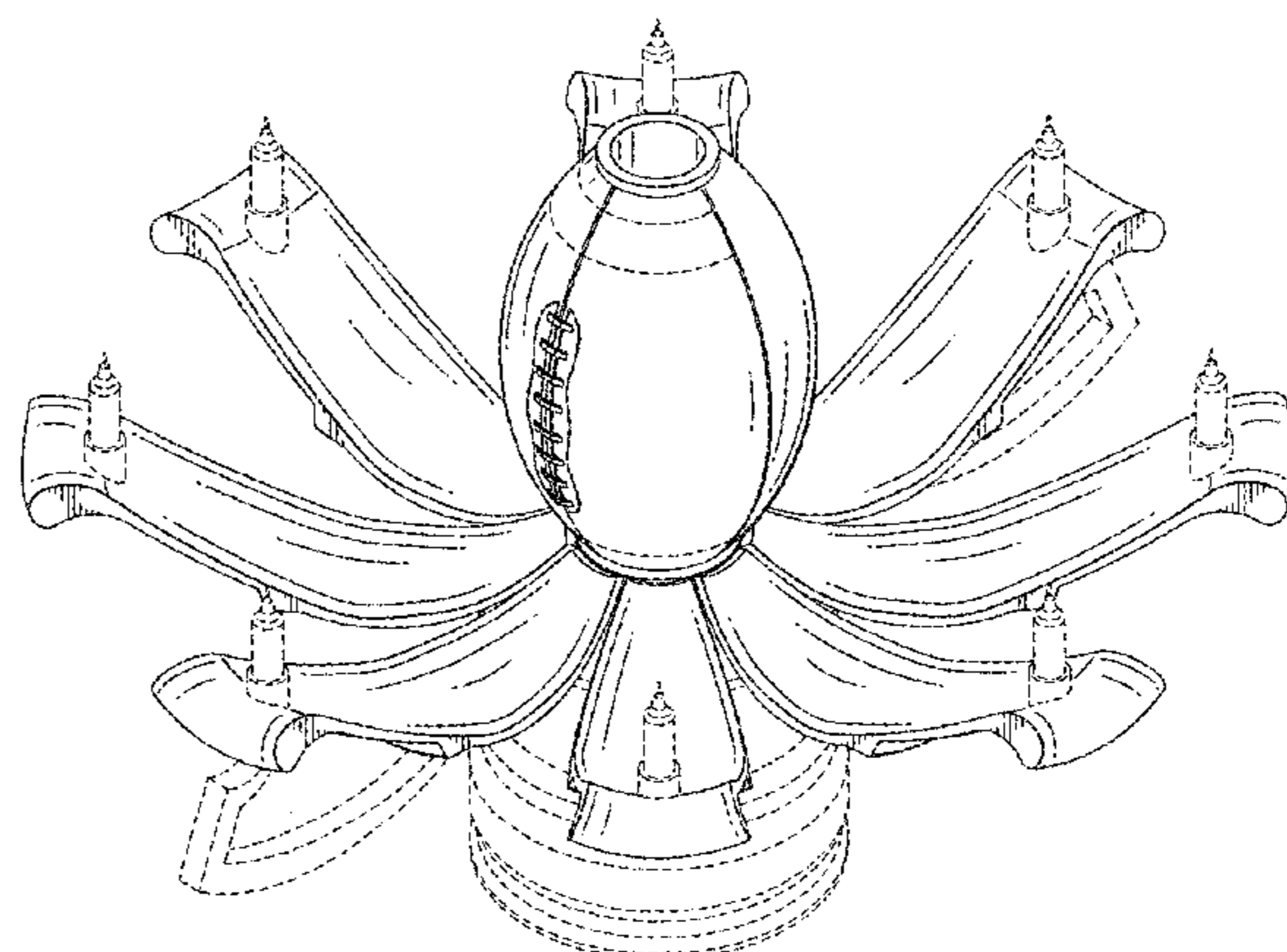
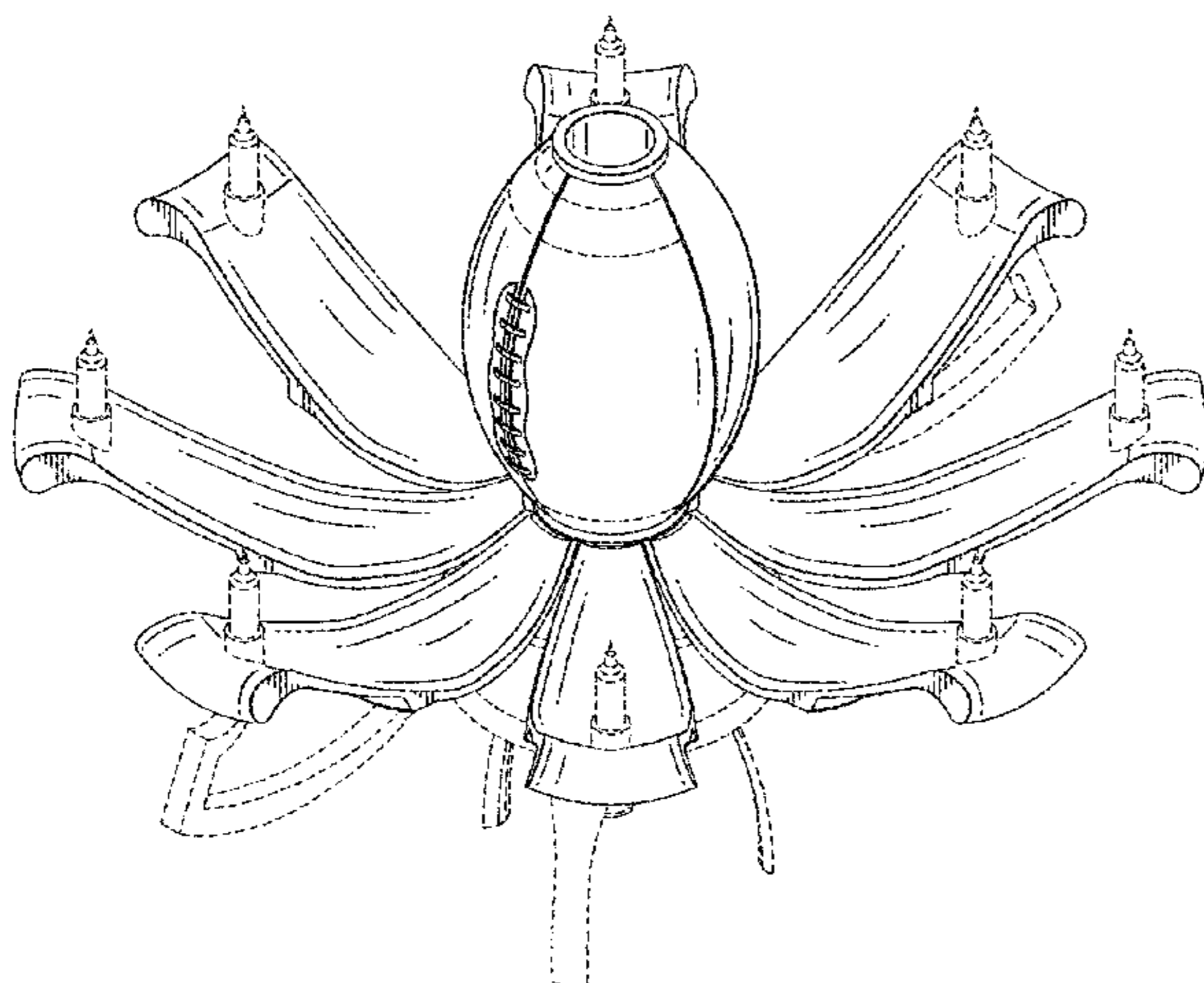
(56) **References Cited**

U.S. PATENT DOCUMENTS

2,216,628 A 6/1879 Moses  
D48,876 S 4/1916 Tiger  
1,187,029 A 6/1916 Beebout  
D52,520 S 10/1918 Brown  
D71,375 S 11/1926 Greenblatt

(Continued)

**1 Claim, 14 Drawing Sheets**



(56)

References Cited

U.S. PATENT DOCUMENTS

D84,272 S 3/1931 Boehland  
 1,879,477 A 9/1932 Powell  
 D190,651 S 6/1961 Allen  
 3,119,618 A 1/1964 Molitor et al.  
 3,256,020 A \* 6/1966 Smith ..... A63B 43/002  
 446/225  
 3,308,705 A 3/1967 Shinnick  
 D229,328 S 11/1973 Grieder  
 D237,736 S 11/1975 Lofgren  
 D242,647 S 12/1976 Van Horn  
 D258,832 S 4/1981 Meadows  
 4,345,759 A 8/1982 Nims  
 D340,074 S 10/1993 Turner  
 D345,021 S 3/1994 Storey et al.  
 5,662,241 A 9/1997 Sorensen  
 D388,680 S \* 1/1998 Lin ..... D19/82  
 D396,893 S 8/1998 Sanchez  
 D397,747 S 9/1998 Sanchez  
 D410,756 S 6/1999 Kleinberg  
 D422,101 S 3/2000 Barraclough et al.  
 D430,319 S 8/2000 Harris  
 6,099,423 A 8/2000 Ou  
 D434,814 S 12/2000 Ogg  
 D434,815 S 12/2000 Asakura  
 D439,293 S 3/2001 Murphy  
 D441,815 S 5/2001 Murphy  
 D442,711 S 5/2001 Patterson  
 D447,256 S 8/2001 Ratia  
 D455,506 S 4/2002 Barker  
 D461,212 S 8/2002 Davis  
 D462,732 S 9/2002 Morrison et al.  
 D464,745 S 10/2002 Mangini et al.  
 6,733,280 B1 5/2004 Livine et al.  
 D501,901 S 2/2005 Yu  
 D516,145 S 2/2006 Oblack et al.  
 D527,472 S 8/2006 Barraclough et al.  
 D538,361 S 3/2007 Sato  
 D546,405 S 7/2007 Miller  
 D550,586 S 9/2007 Tsai  
 D551,308 S \* 9/2007 Chang ..... D21/712  
 D551,721 S \* 9/2007 Cooper ..... D21/406  
 D551,726 S 9/2007 Pierce  
 D554,560 S 11/2007 Tsai  
 D565,125 S \* 3/2008 Collier ..... D21/405  
 D570,431 S \* 6/2008 Krysiak ..... D21/712  
 D577,396 S 9/2008 Burger  
 D579,818 S 11/2008 Lambert et al.  
 7,467,945 B2 12/2008 Kubicek et al.  
 D588,252 S 3/2009 Conway et al.  
 D589,177 S 3/2009 Langley  
 7,497,685 B2 3/2009 Kubicek et al.

7,503,668 B2 3/2009 Porchia et al.  
 D590,078 S 4/2009 Horenziak et al.  
 7,524,187 B2 4/2009 Kubicek et al.  
 D602,101 S 10/2009 Thomas  
 D620,636 S 7/2010 Holder  
 D630,791 S 1/2011 Wanders  
 D637,239 S \* 5/2011 Walterscheid ..... D21/398  
 D638,077 S 5/2011 Nakagawa et al.  
 D644,281 S 8/2011 Moon  
 D653,809 S \* 2/2012 Gelin ..... D21/712  
 D665,040 S \* 8/2012 Lowinger ..... D21/712  
 D675,126 S 1/2013 Hauskins  
 D683,912 S 6/2013 Muhr et al.  
 D698,102 S 1/2014 Muhr et al.  
 D698,501 S 1/2014 Muhr et al.  
 8,636,518 B2 1/2014 Wetherbee  
 D700,256 S 2/2014 Besemer  
 D713,688 S 9/2014 Thomas  
 D727,445 S 4/2015 Viramontez  
 D732,731 S 6/2015 Wang  
 D734,513 S 7/2015 Brown et al.  
 9,224,310 B2 12/2015 Wetherbee  
 D748,011 S 1/2016 Hoffman  
 D754,888 S 4/2016 Brown et al.  
 D755,416 S 5/2016 Brown et al.  
 D768,317 S 10/2016 Deaver  
 D768,795 S 10/2016 O'Malley  
 D792,535 S 7/2017 Hughes  
 D797,962 S 9/2017 Voss  
 9,756,707 B2 \* 9/2017 Patton ..... H05B 37/0272  
 D798,973 S 10/2017 Hughes  
 D813,426 S \* 3/2018 Voss ..... D26/14  
 D813,427 S \* 3/2018 Voss ..... D26/16  
 D814,668 S \* 4/2018 Voss ..... D26/16  
 2005/0196716 A1 \* 9/2005 Haab ..... F21S 6/001  
 431/126  
 2005/0207155 A1 9/2005 Jian  
 2006/0084021 A1 \* 4/2006 Kubicek ..... F23D 3/24  
 431/291  
 2007/0053181 A1 \* 3/2007 Urkumyan ..... F21S 6/001  
 362/161  
 2007/0154857 A1 \* 7/2007 Cho ..... C11C 5/008  
 431/253  
 2007/0177393 A1 \* 8/2007 Hirata ..... F21S 6/001  
 362/392  
 2011/0269083 A1 11/2011 King  
 2013/0022946 A1 1/2013 Wetherbee

FOREIGN PATENT DOCUMENTS

CN 201003746 Y 1/2008  
 CN 300733777 1/2008

\* cited by examiner



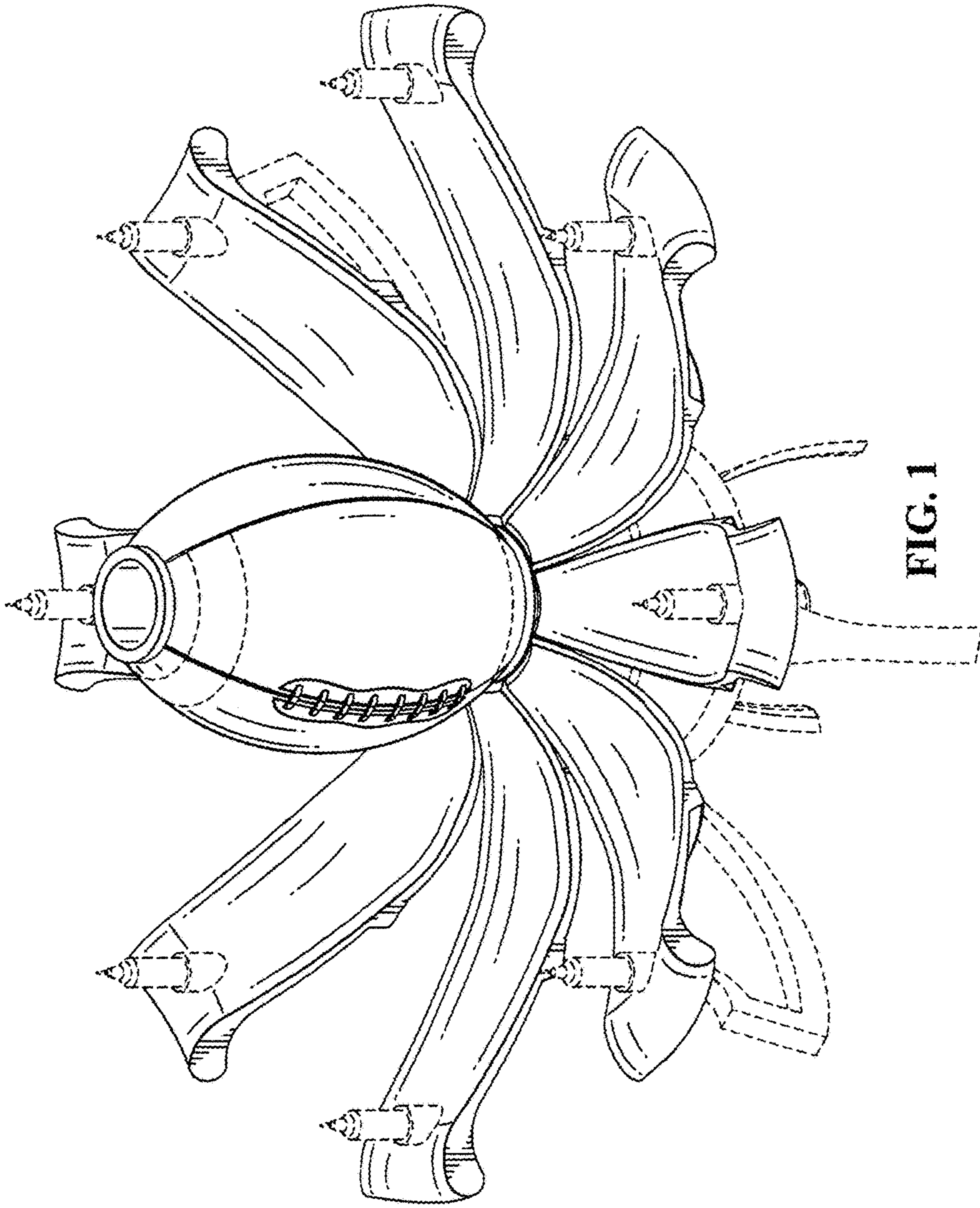


FIG. 1

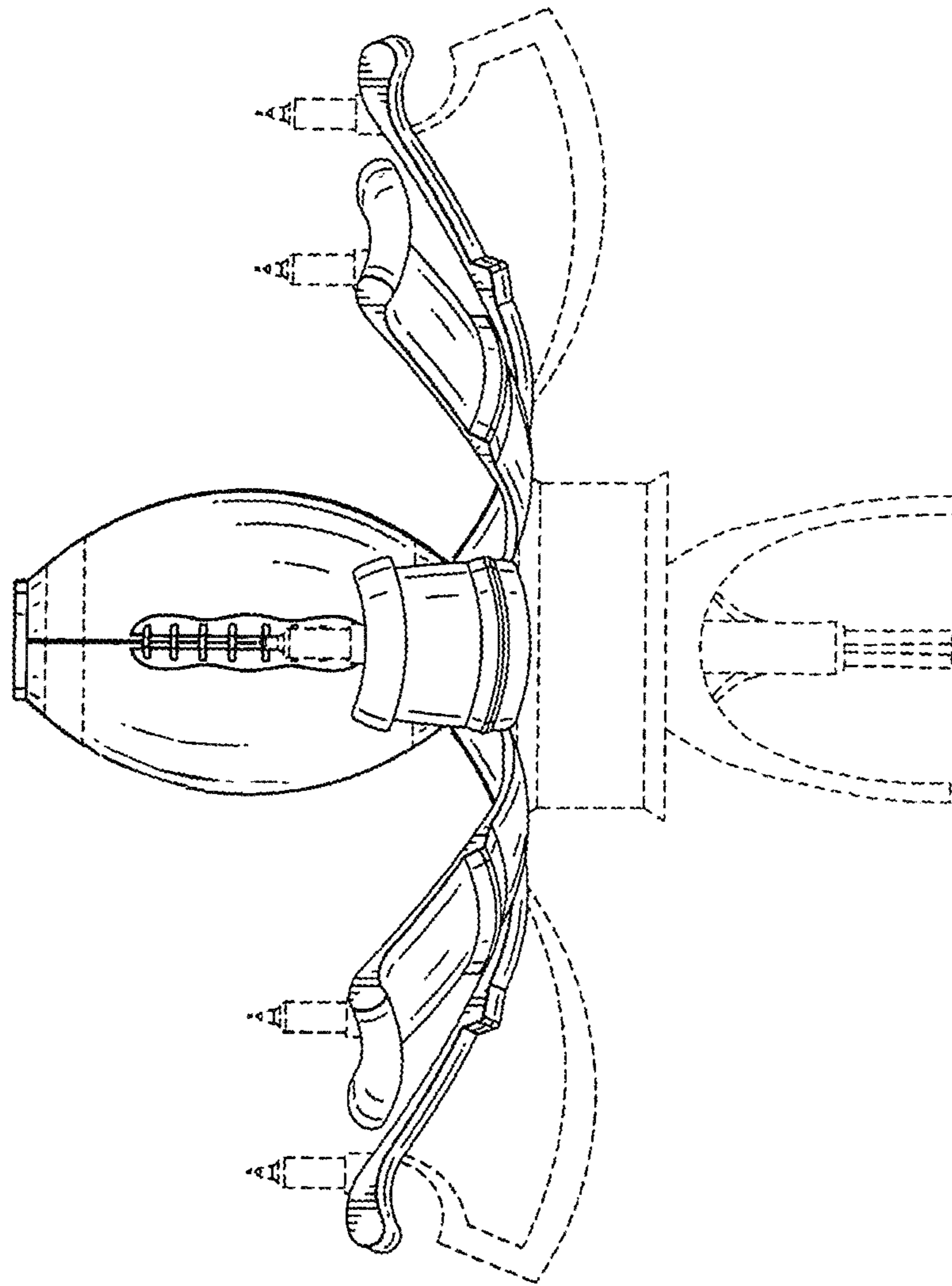


FIG. 2

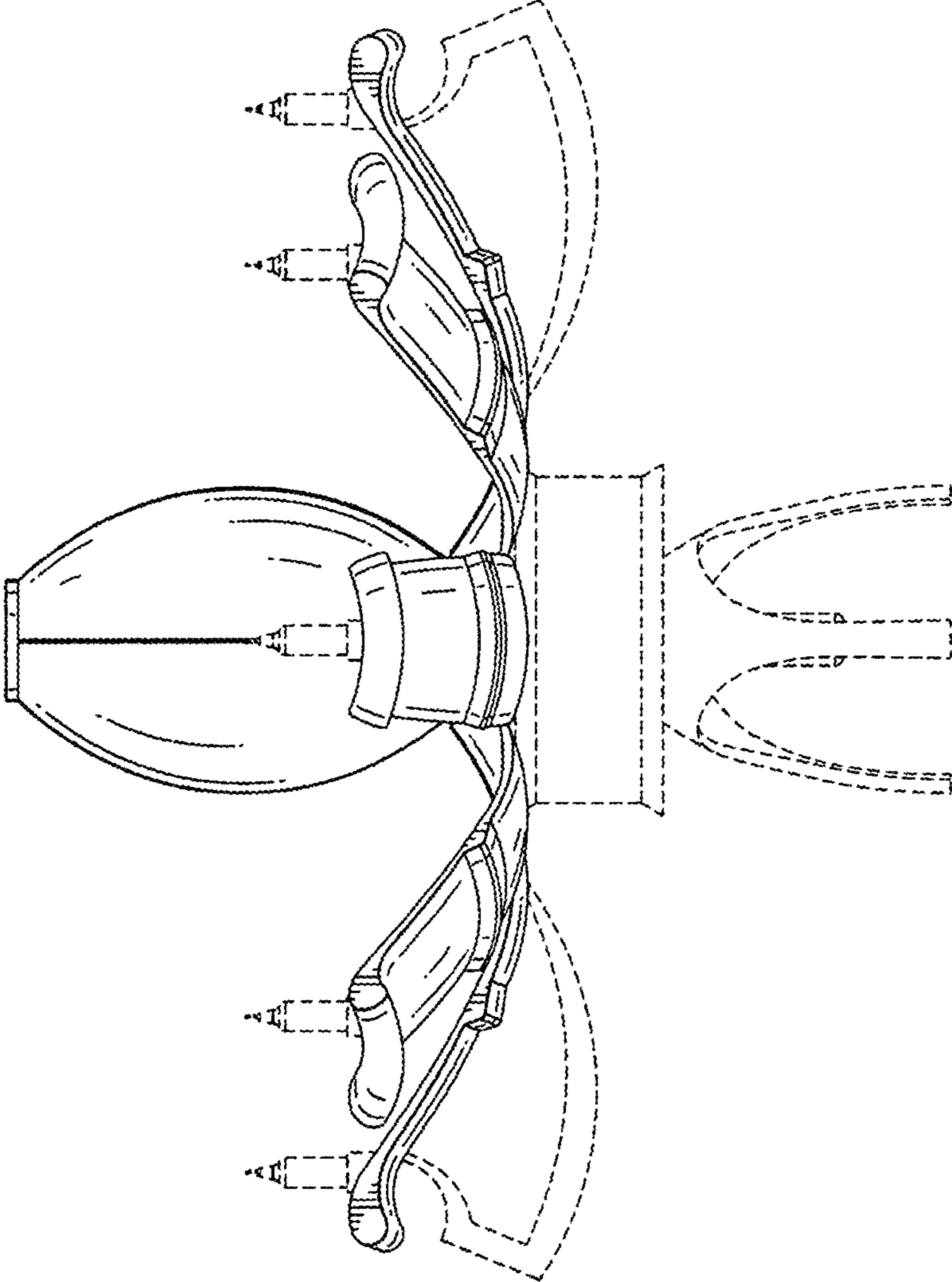


FIG. 3

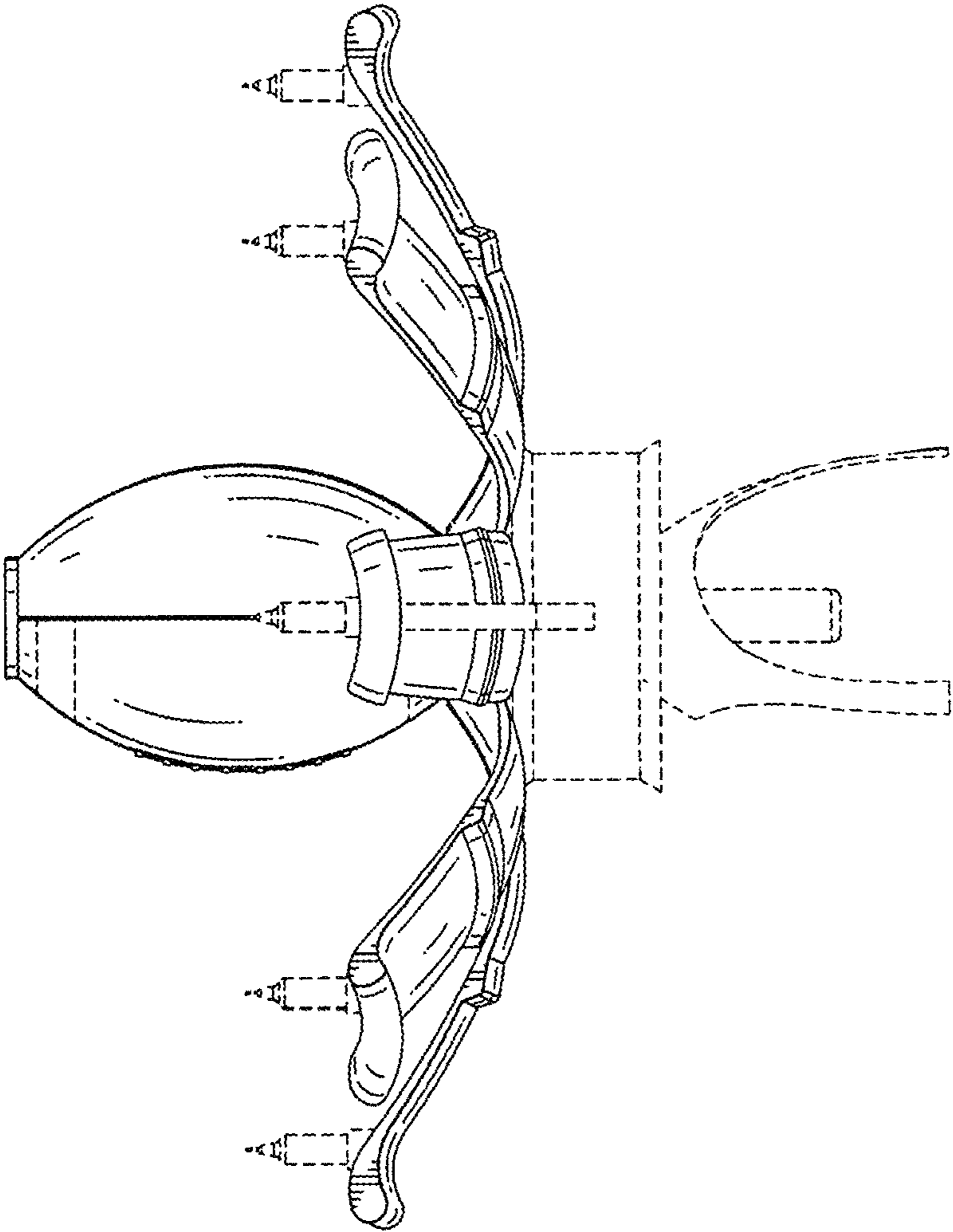


FIG. 4

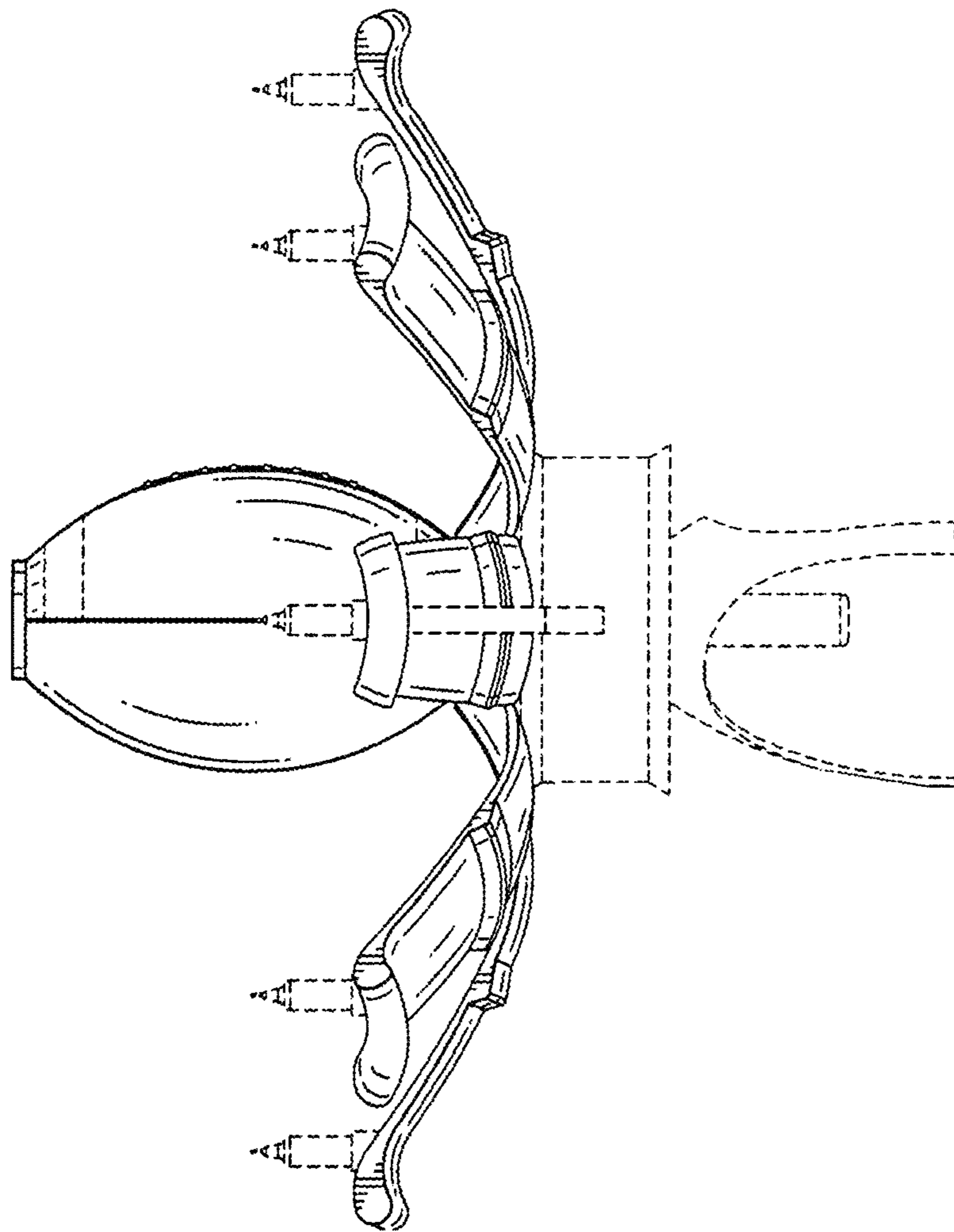


FIG. 5



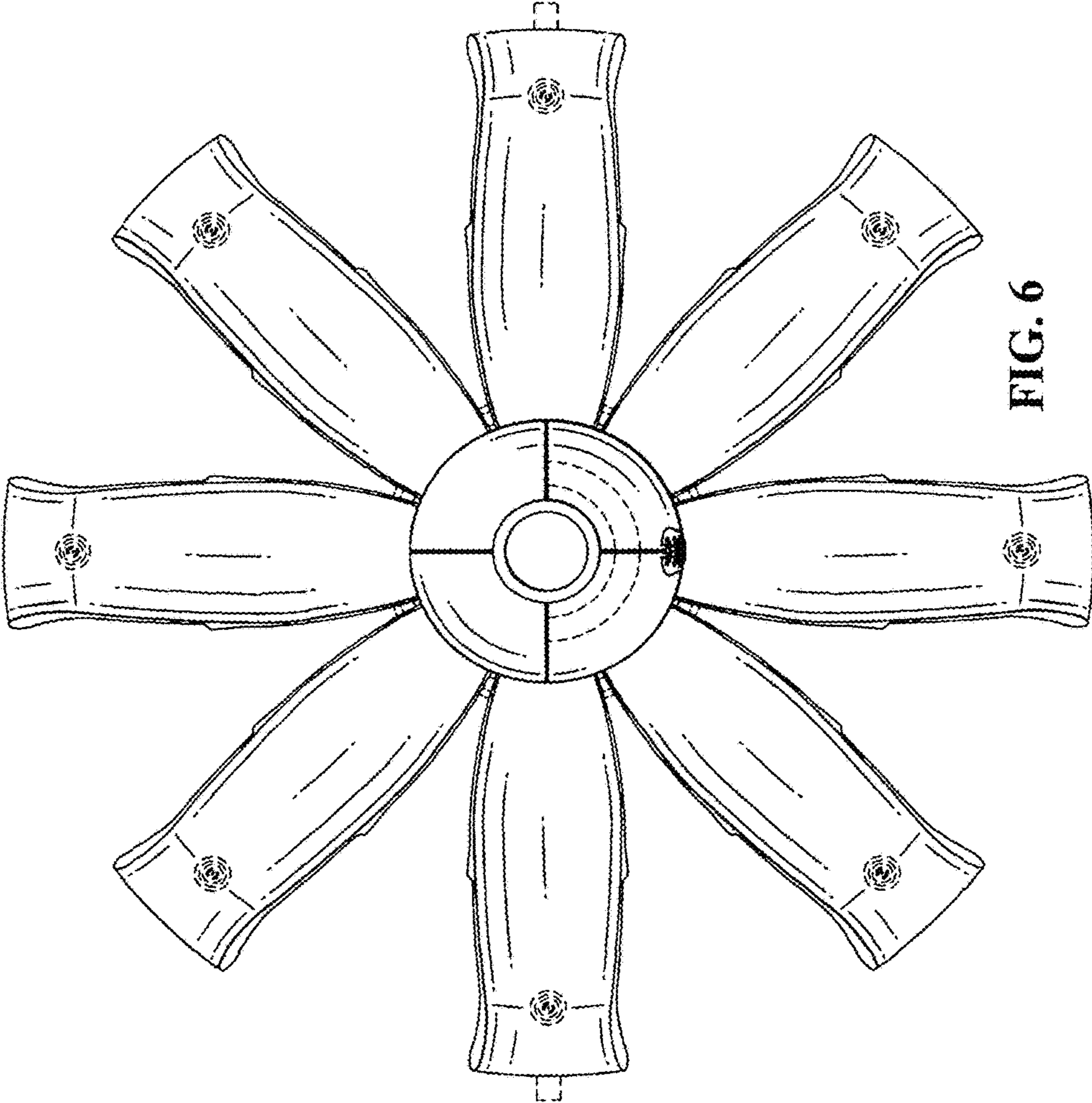


FIG. 6



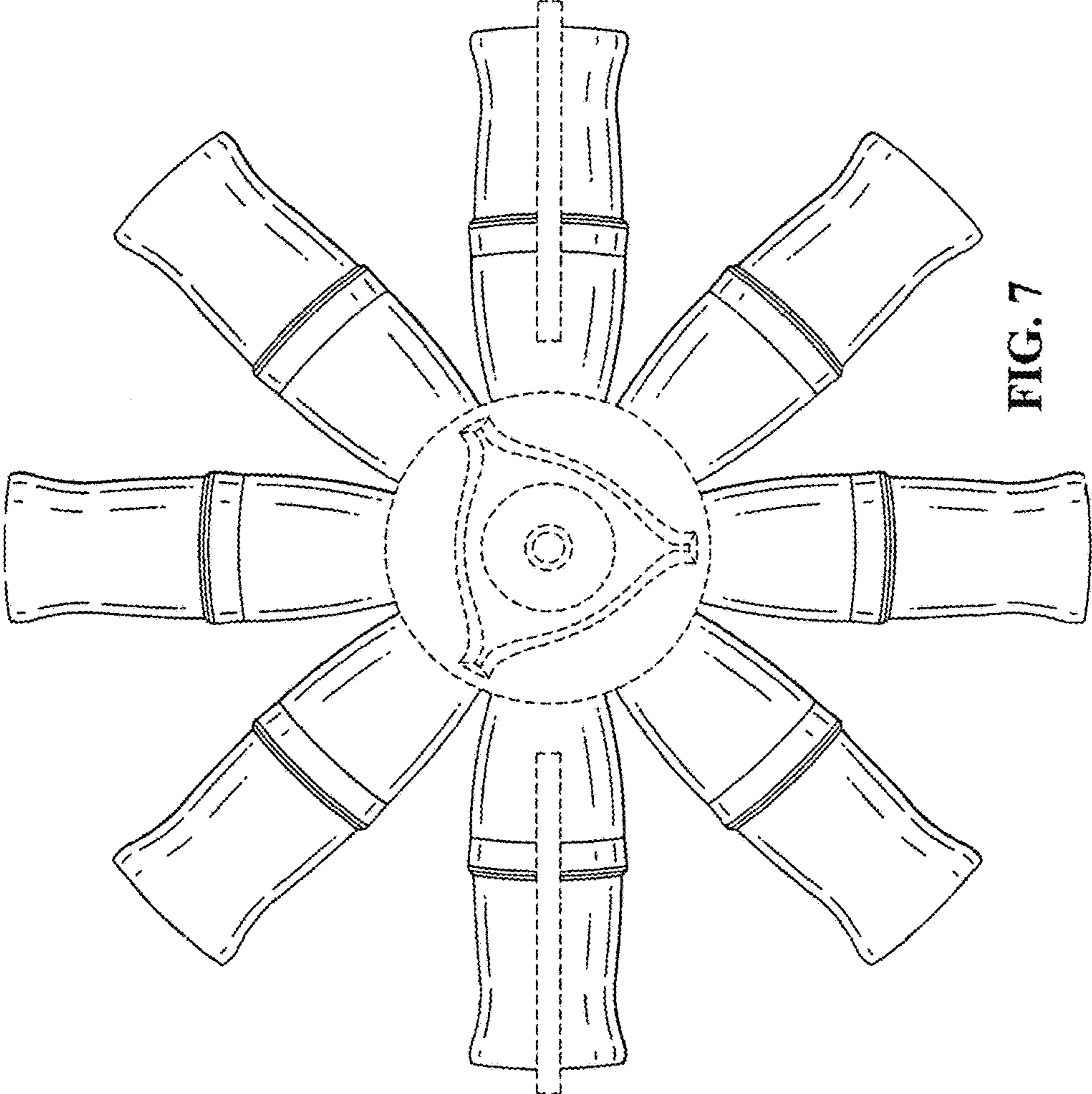


FIG. 7

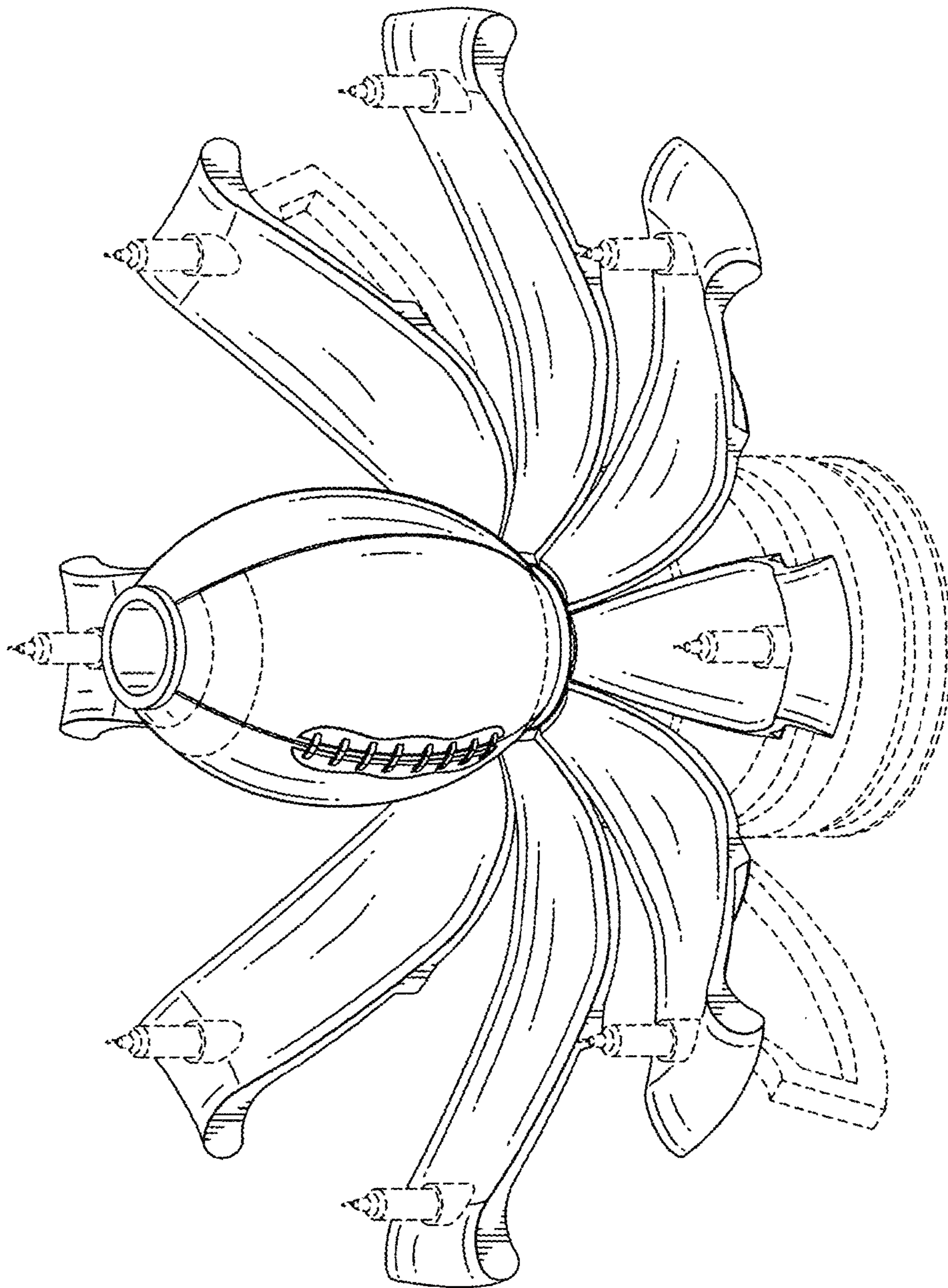


FIG. 8

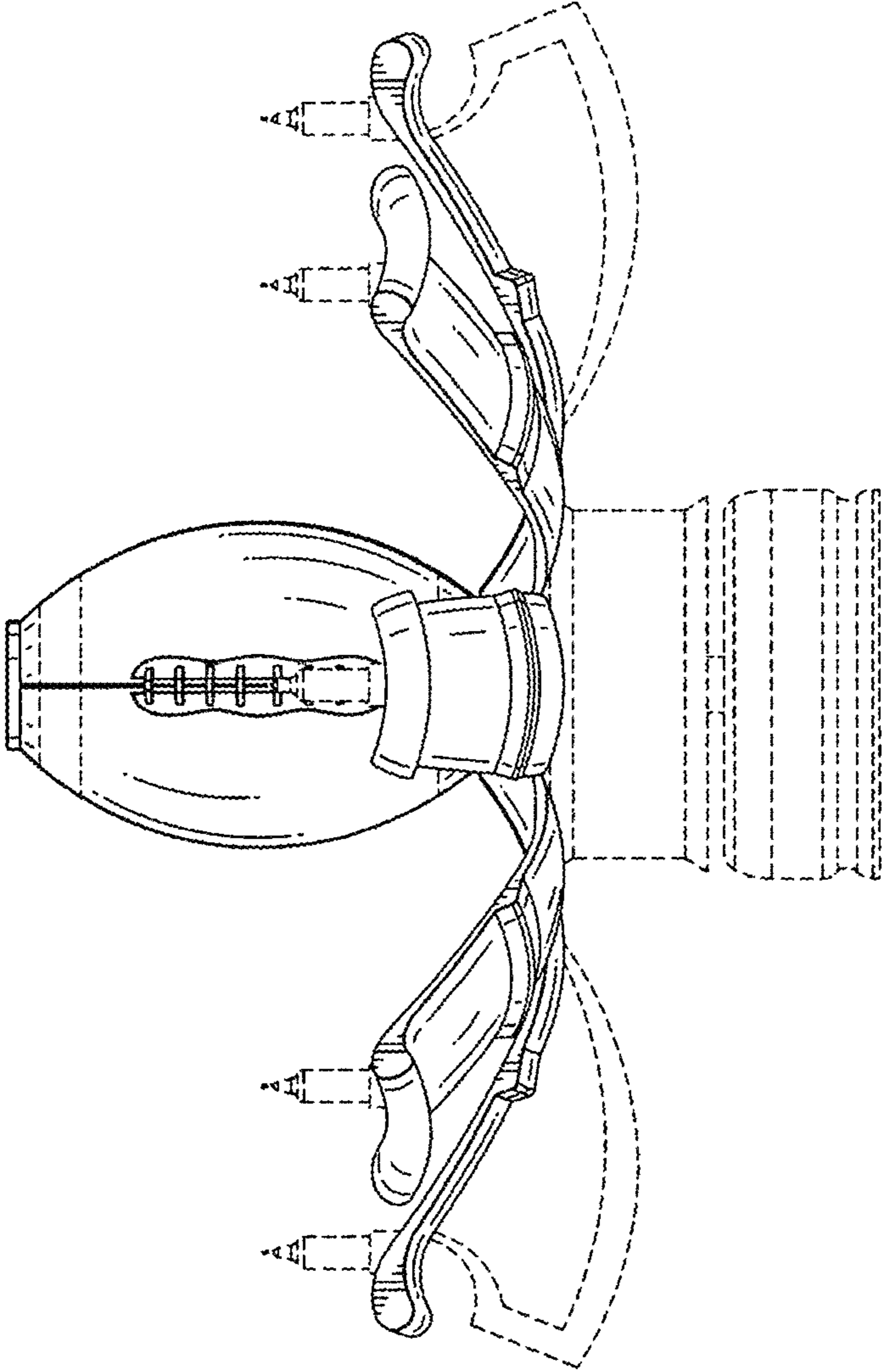


FIG. 9

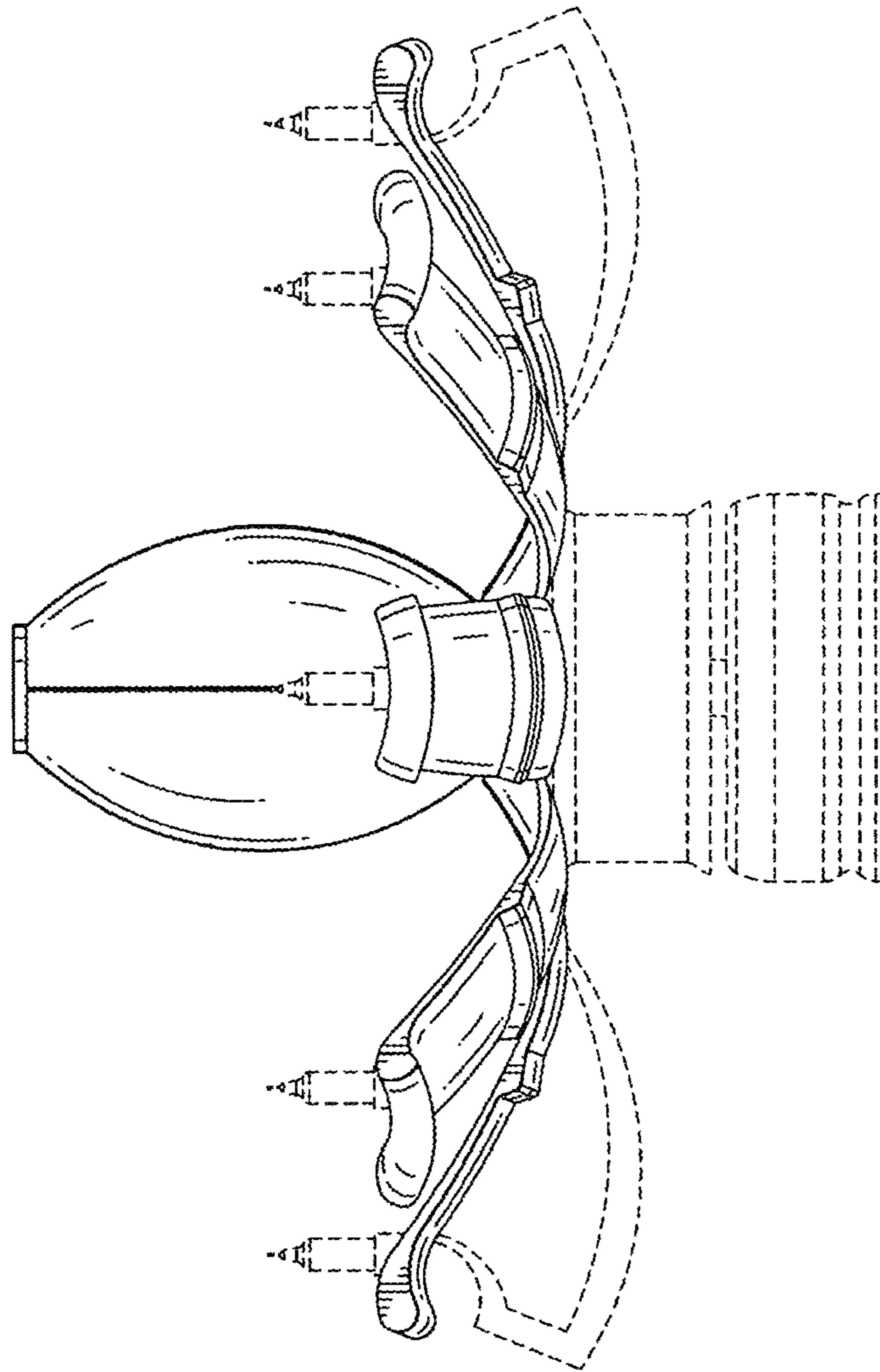


FIG. 10



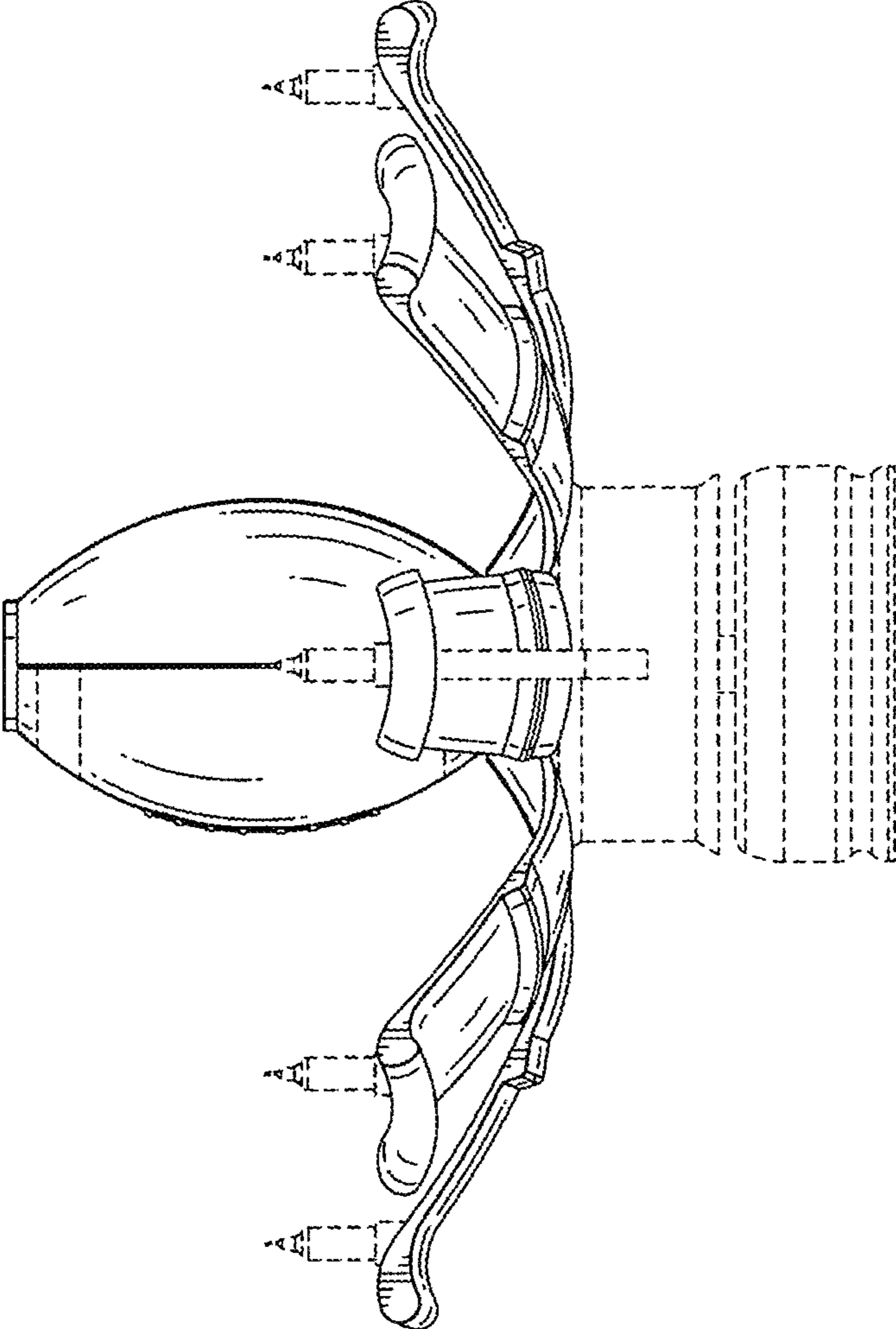


FIG. 11

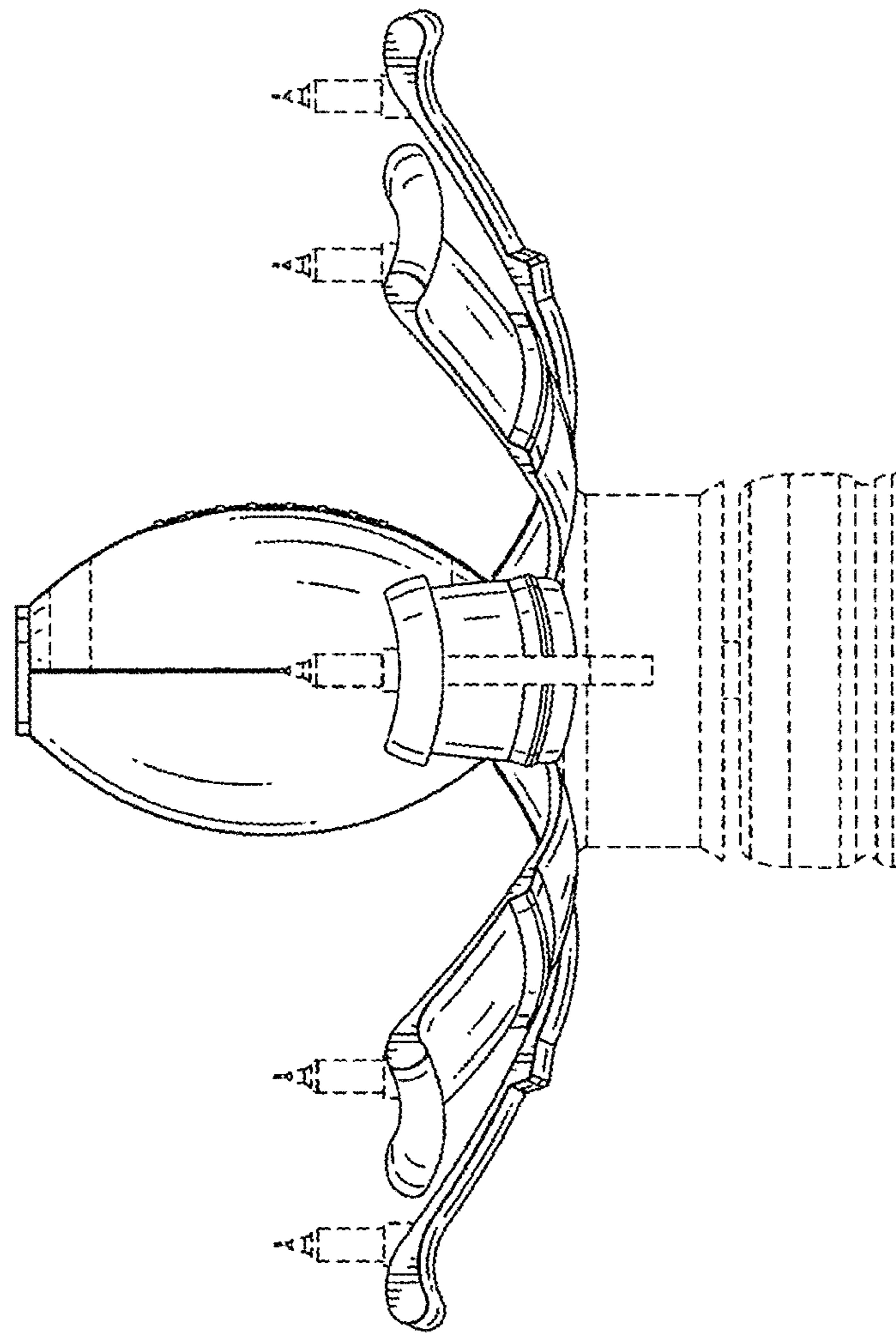


FIG. 12

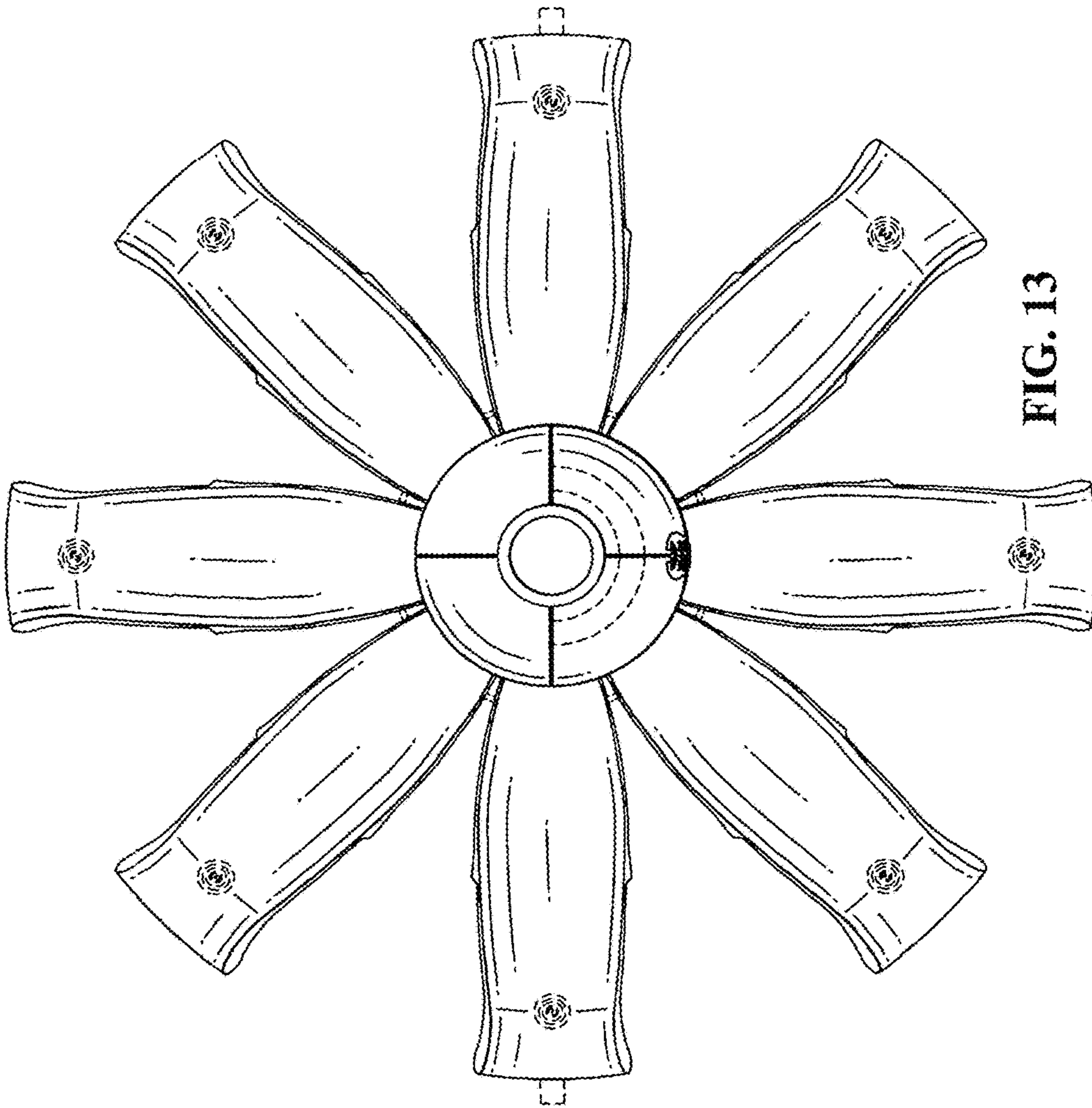


FIG. 13

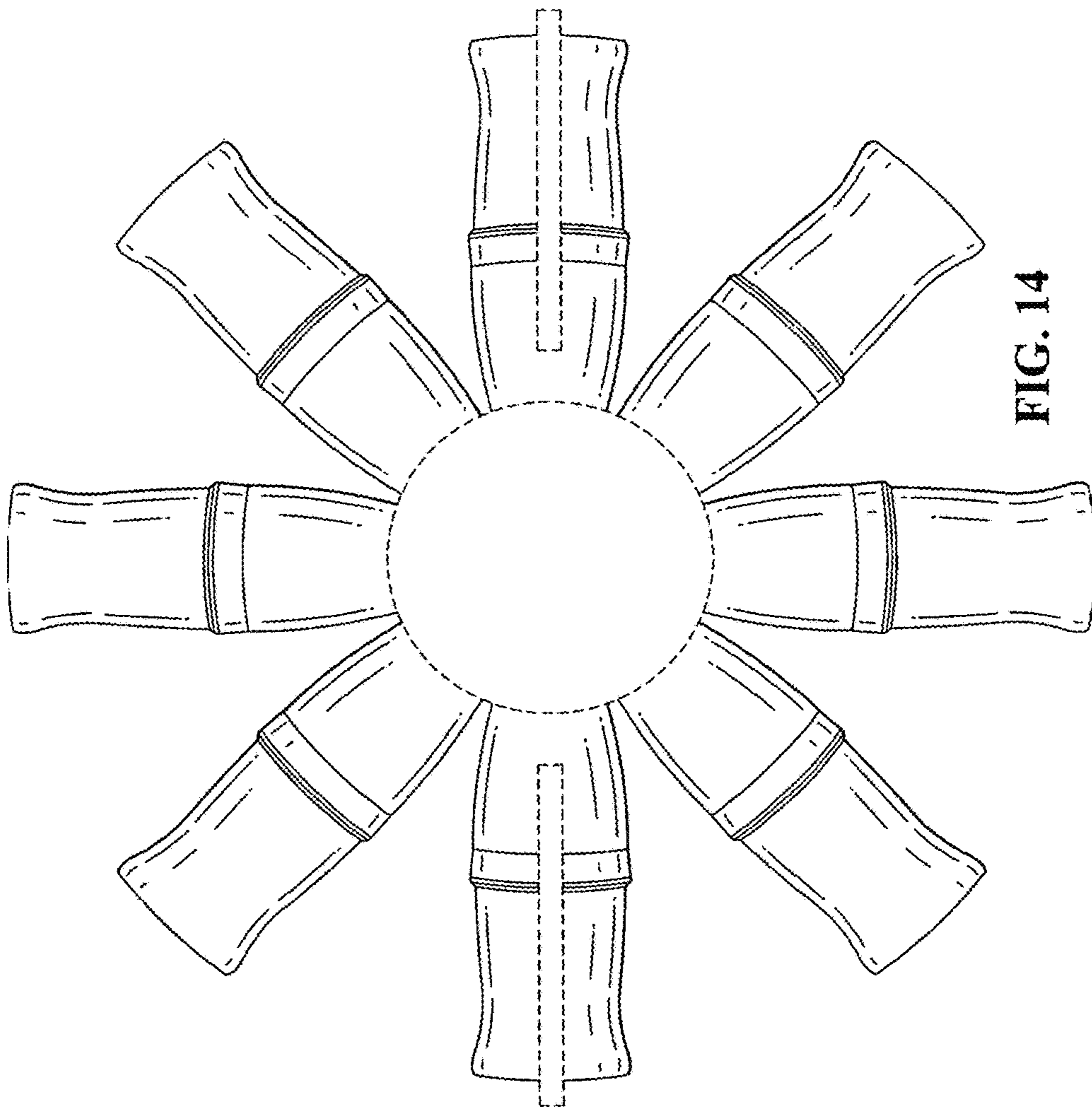


FIG. 14