



US00D832470S

(12) **United States Design Patent**
Wu et al.

(10) **Patent No.:** **US D832,470 S**
(45) **Date of Patent:** **** Oct. 30, 2018**

(54) **FILAMENT BULB**

D549,360 S * 8/2007 An D26/2
D550,864 S * 9/2007 Hernandez, Jr. D26/2
D689,215 S * 9/2013 Xue D26/2

(71) Applicant: **XIAMEN ECO LIGHTING CO., LTD.**, Xiamen, Fujian Province (CN)

* cited by examiner

(72) Inventors: **Chenjun Wu**, Xiamen (CN); **Hongkui Jiang**, Xiamen (CN); **Yanzeng Gao**, Xiamen (CN)

Primary Examiner — Marcus Jackson
(74) *Attorney, Agent, or Firm* — PROI Intellectual Property US

(73) Assignee: **XIAMEN ECO LIGHTING CO., LTD.** (CN)

(57) **CLAIM**

The ornamental design for a filament bulb, as shown and described.

(**) Term: **15 Years**

DESCRIPTION

(21) Appl. No.: **29/617,210**

FIG. 1 is a perspective upper front View of a filament bulb; FIG. 2 is a front View thereof; FIG. 3 is a left side View thereof; FIG. 4 is a rear View thereof; FIG. 5 is a right side View thereof; FIG. 6 is a top plan View thereof; FIG. 7 is a bottom plan View thereof; and, FIG. 8 is a perspective lower front View thereof.

(22) Filed: **Sep. 12, 2017**

(51) **LOC (11) Cl.** **26-04**

(52) **U.S. Cl.**
USPC **D26/2**

(58) **Field of Classification Search**
USPC D26/1-4; 313/313, 315, 316, 317, 318, 313/493; 315/52, 53, 56, 57, 58
CPC H01R 5/00; H01R 13/46; H01R 13/514; H01R 31/048; H01R 31/02; H01J 5/00; H01J 15/00; H01J 5/48; H01J 5/50; H01J 19/54; F21V 5/00; H01K 1/10; H01K 1/14; H01K 1/18
See application file for complete search history.

Disclaimer: The glass plunger surrounding the filament, the lamp holder beneath the filament as well as the screw base are shown in broken lines because they are not part of the claimed design, but are considered necessary to show the environment in which the design is associated.

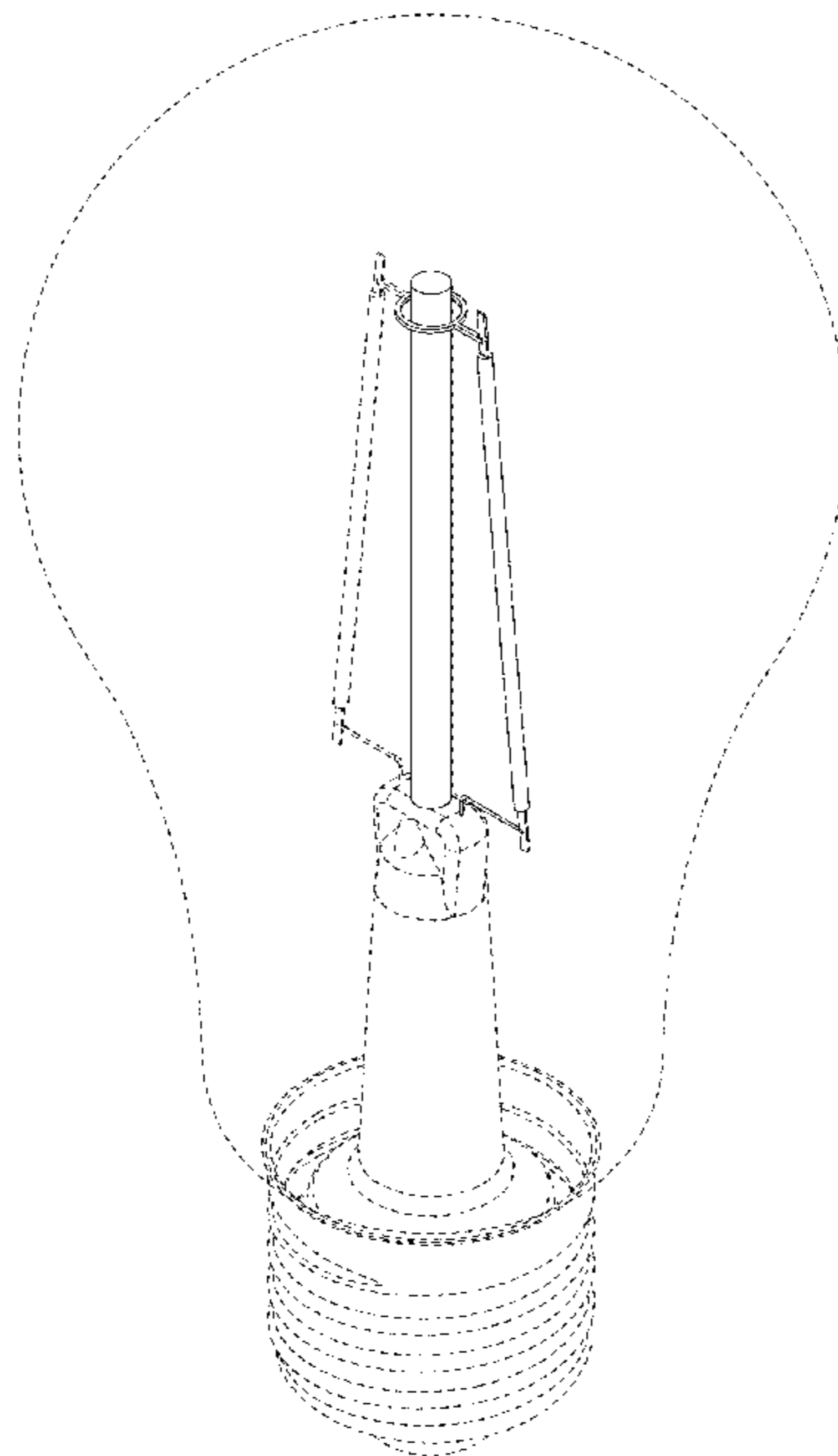
Secondly, in the center of the filament bulb several groups of vertically oriented LED wires are shown wherein each group contains of one LED wire. Only one group of one LED wire is shown in solid lines. The purpose of showing only one group of one LED wire in solid lines is that the second and any further group of one LED wire are identical to said group of one LED wire that is shown in solid lines. Therefore, any repetition of said group of one LED wire—that is shown in solid lines—is shown in broken lines.

(56) **References Cited**

U.S. PATENT DOCUMENTS

D410,554 S * 6/1999 Guyton D26/2
D422,099 S * 3/2000 Kracke D26/2

1 Claim, 7 Drawing Sheets



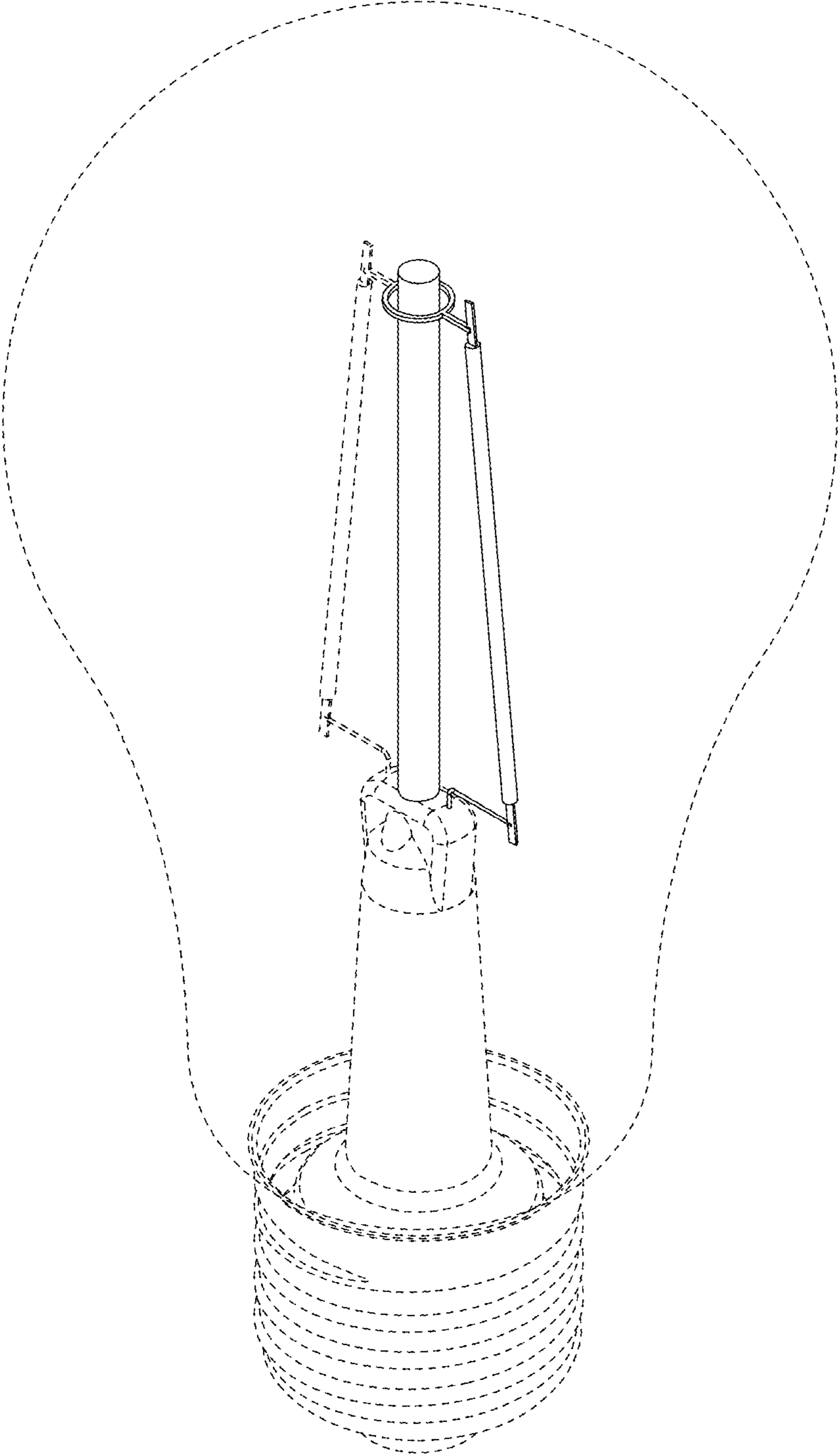


FIG. 1

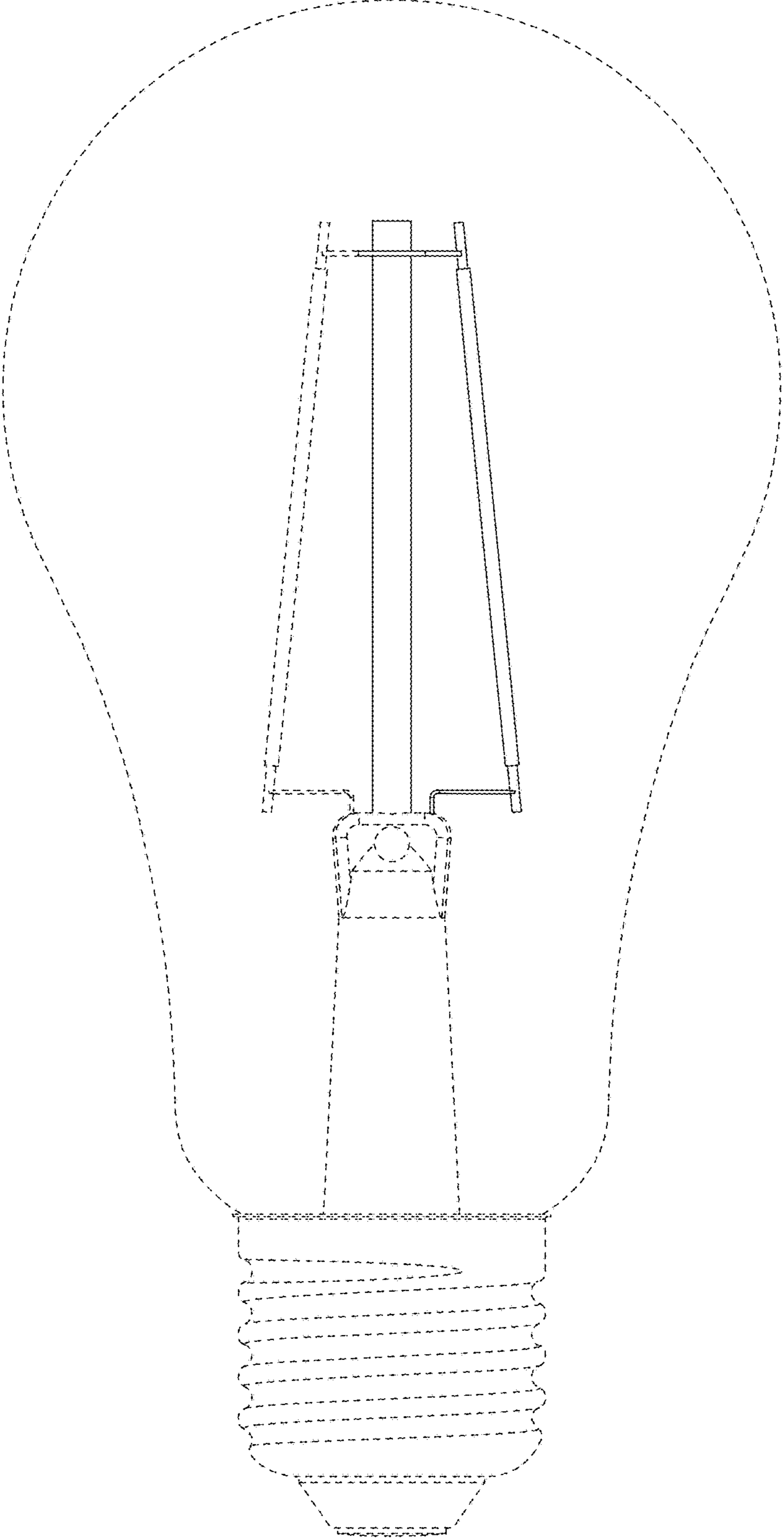


FIG. 2

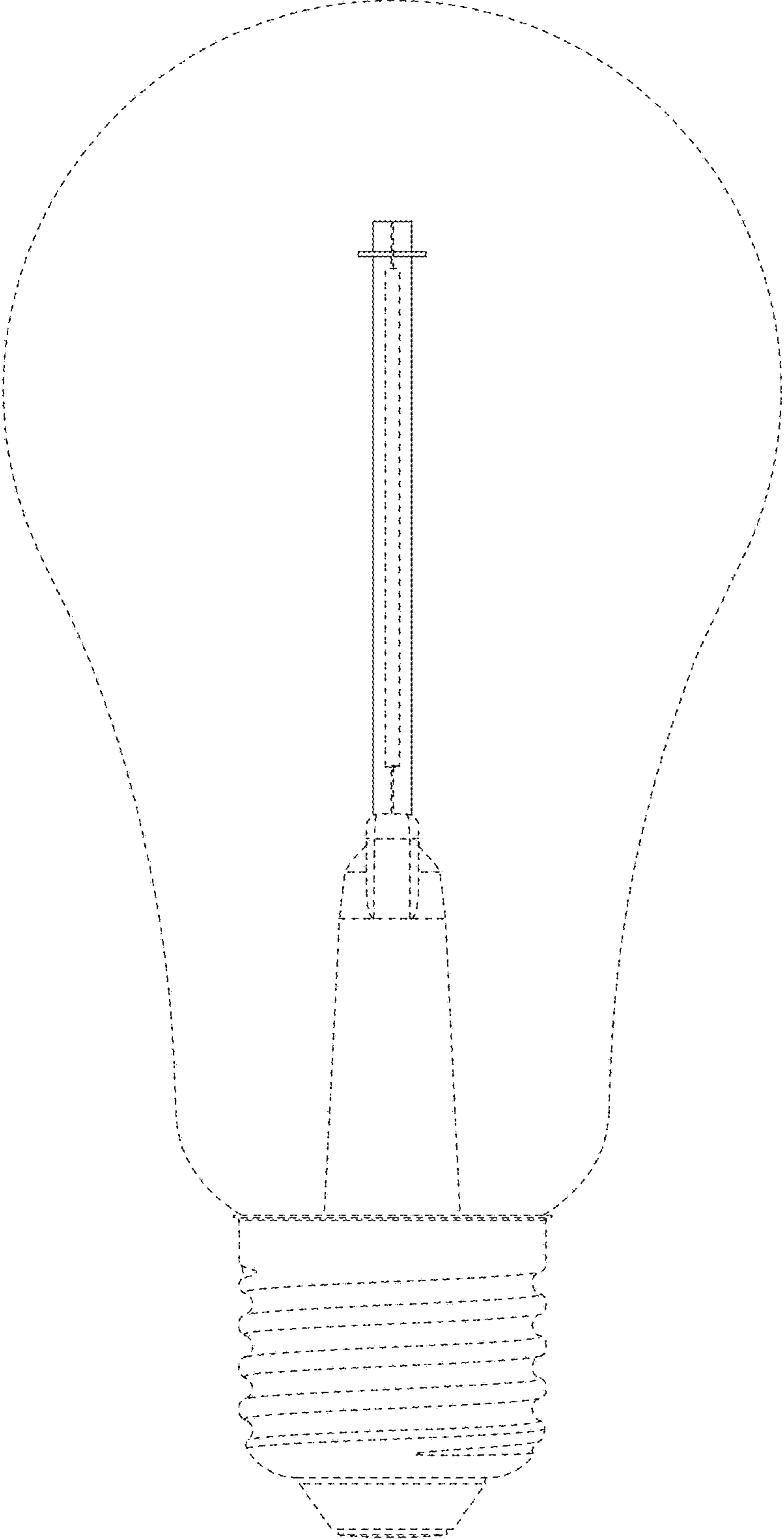


FIG. 3

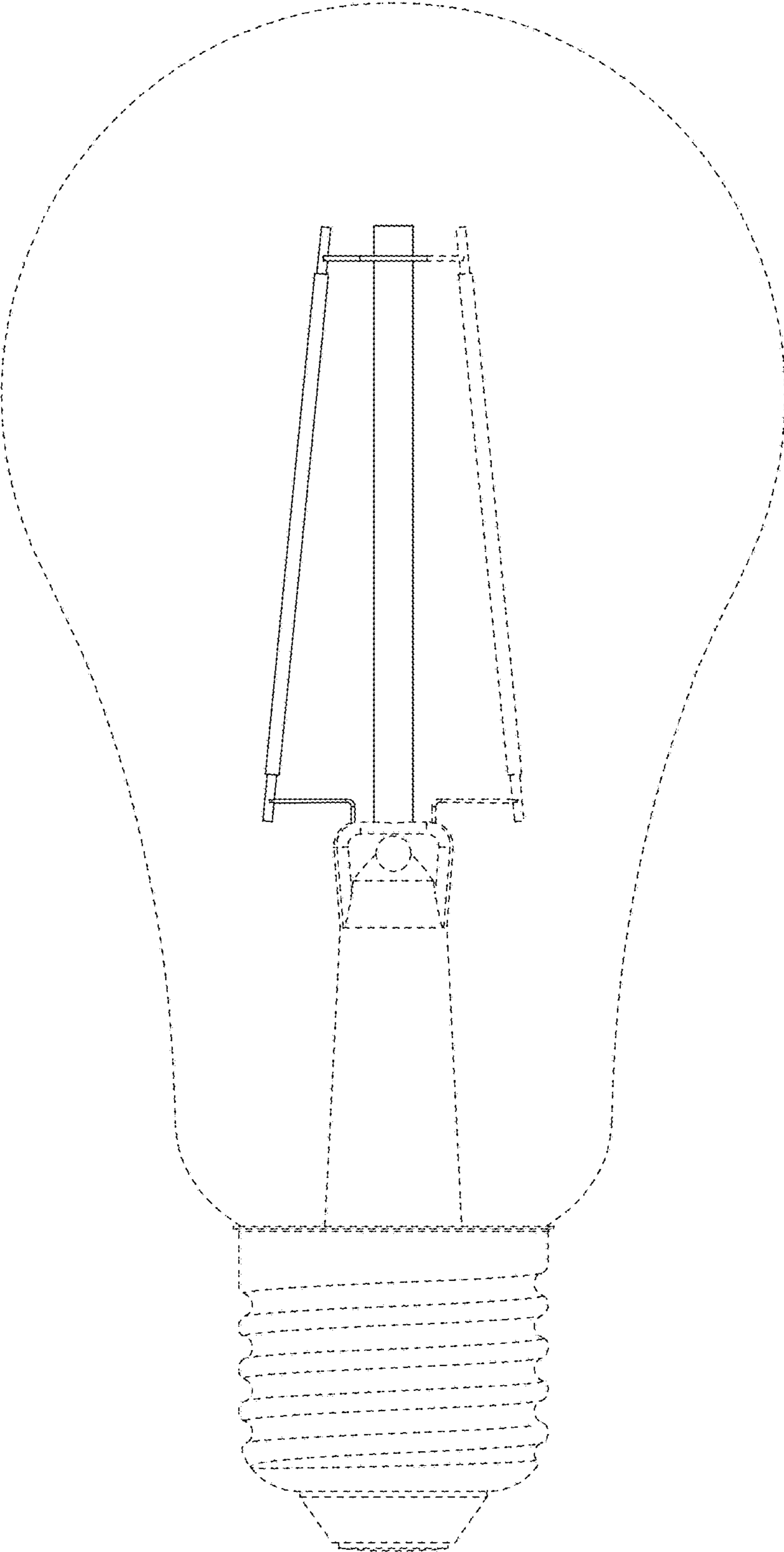


FIG. 4

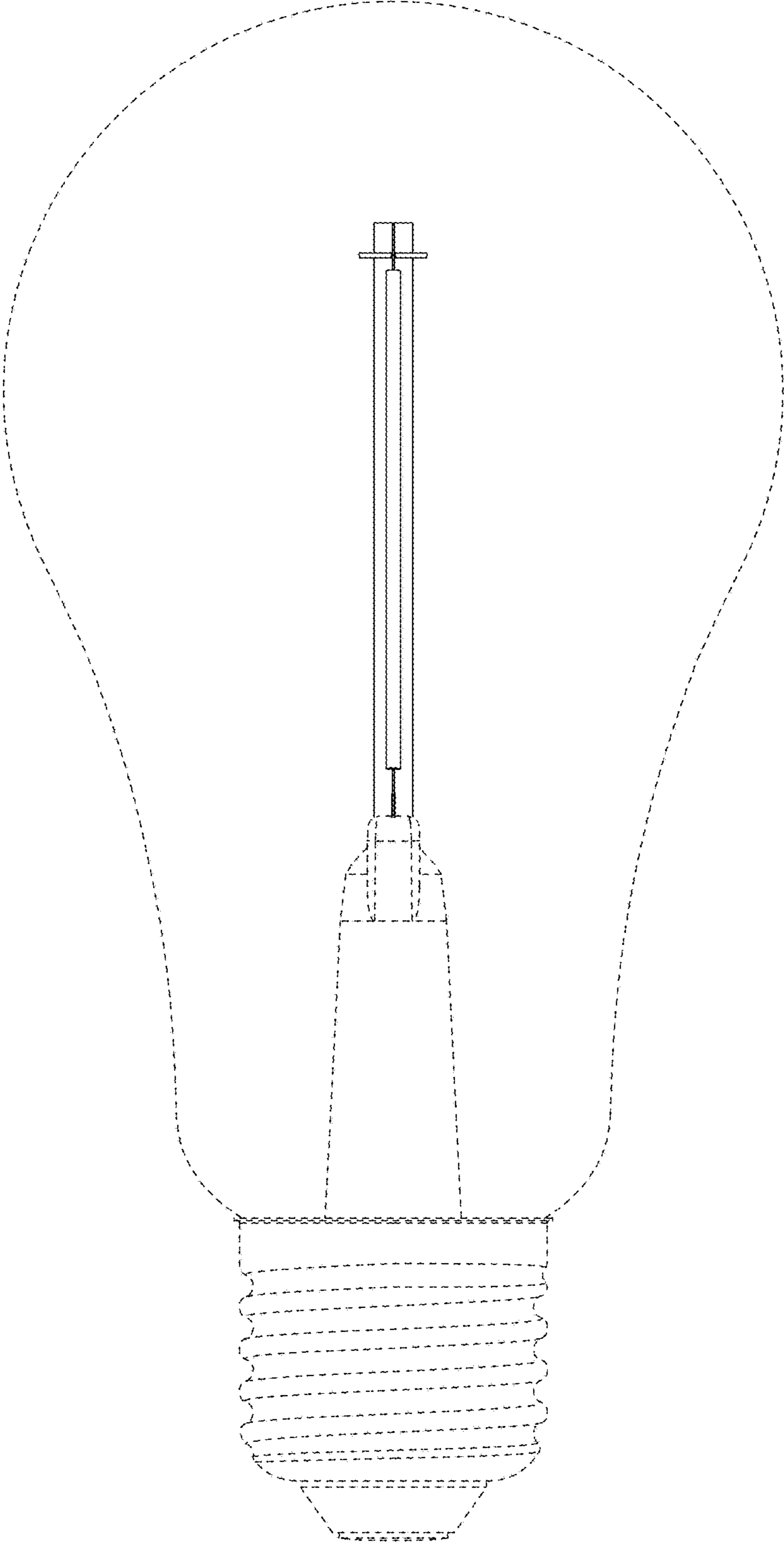


FIG. 5

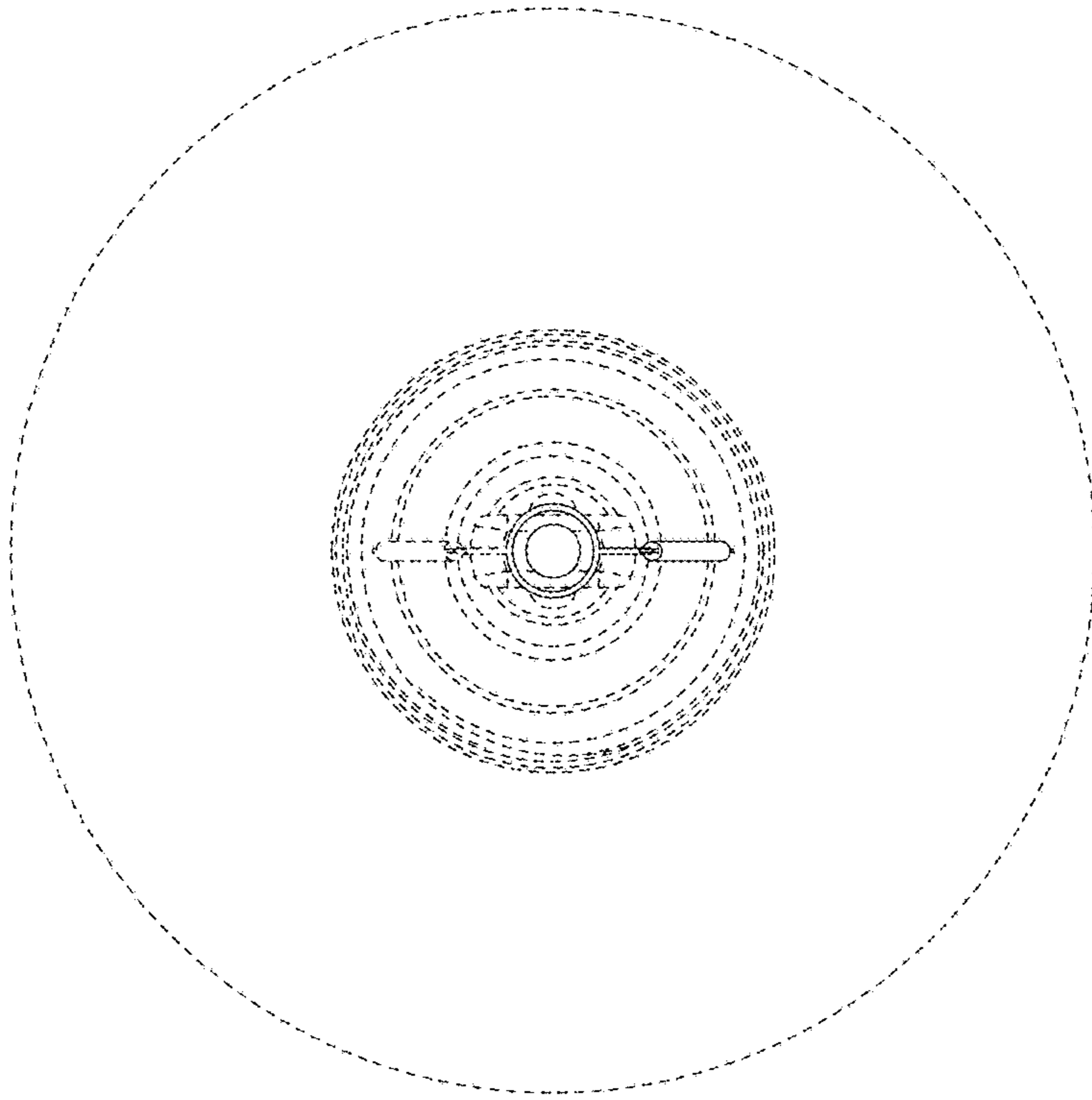


FIG. 6

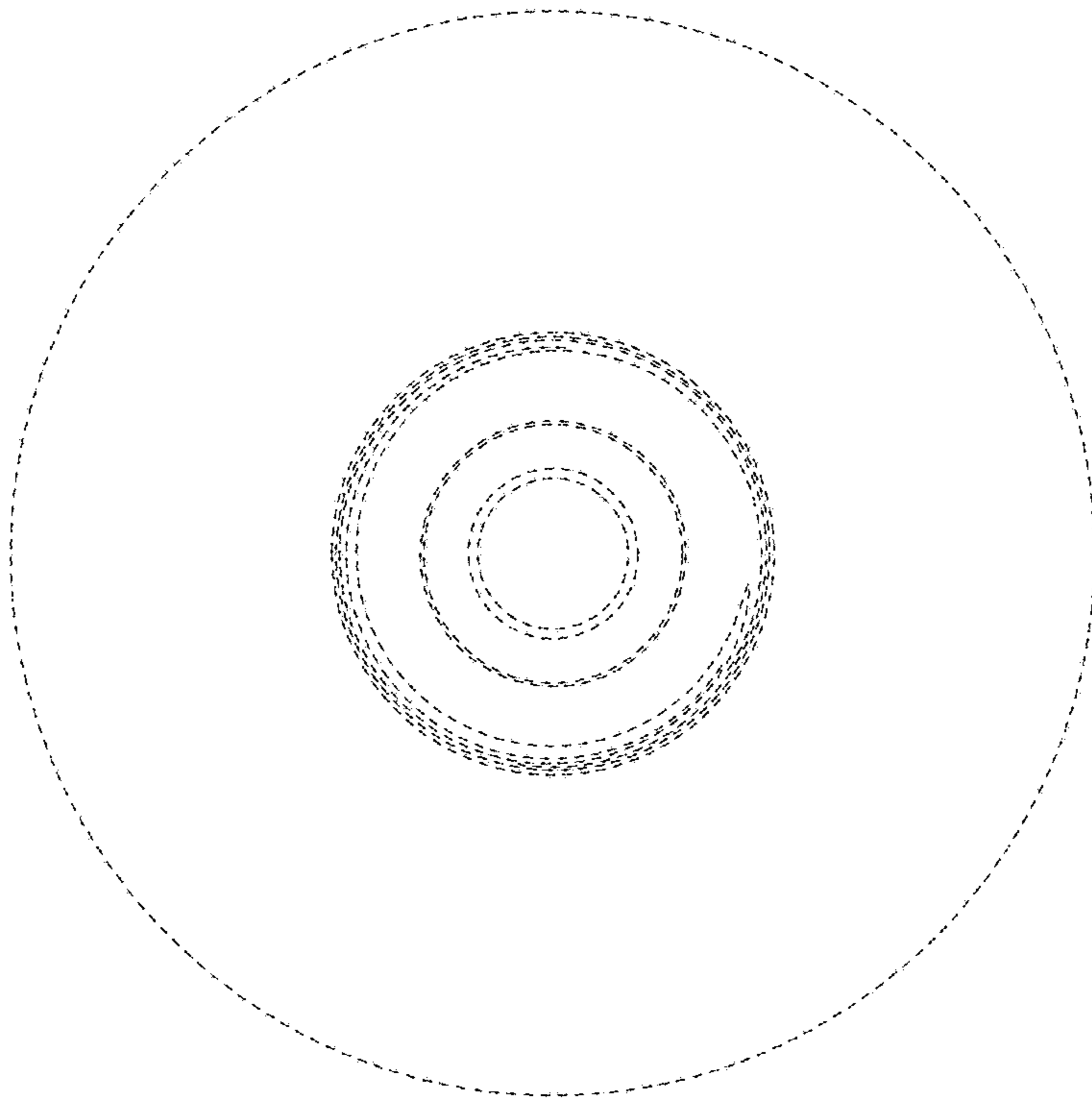


FIG. 7

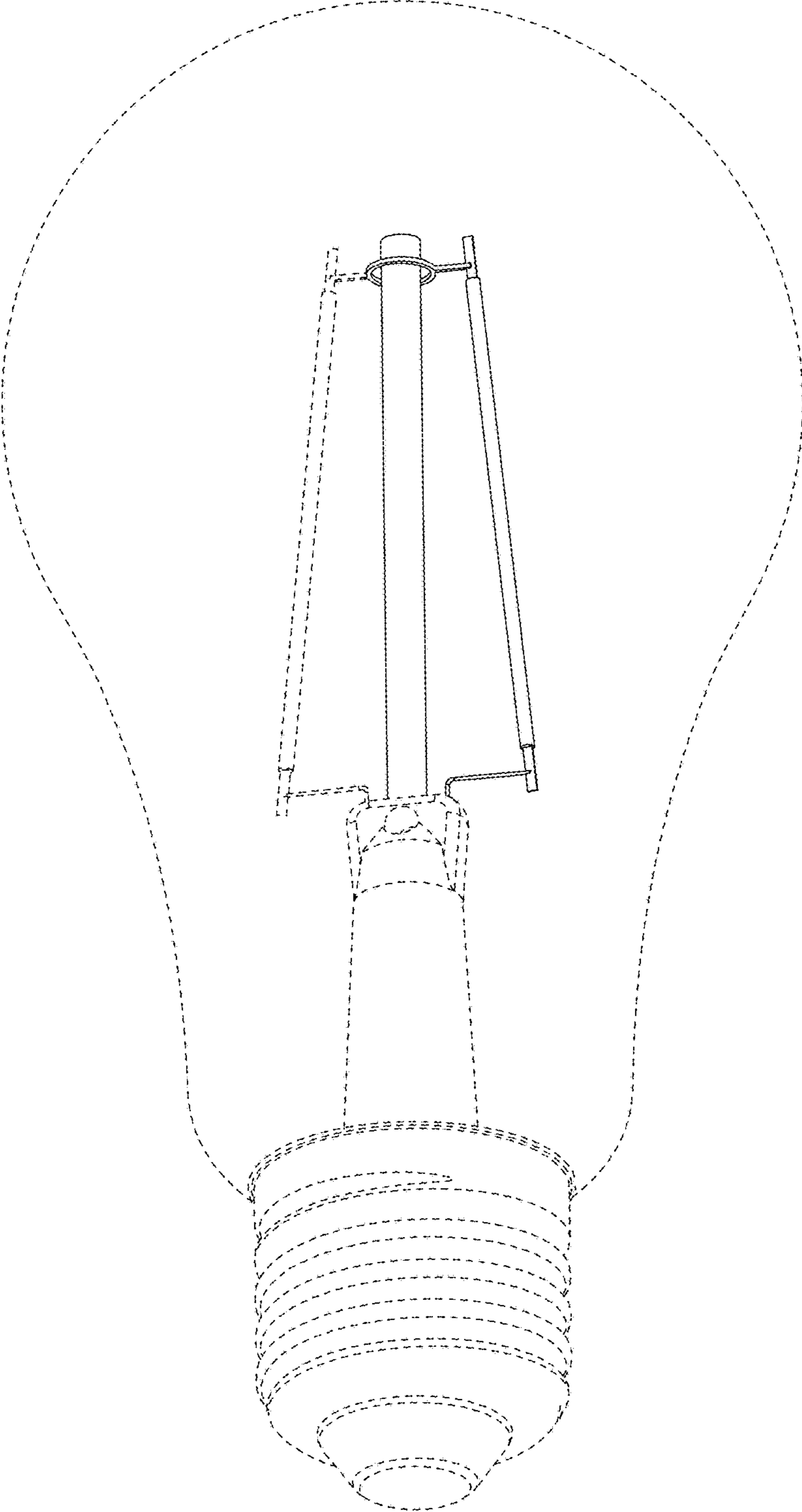


FIG. 8