



US00D832468S

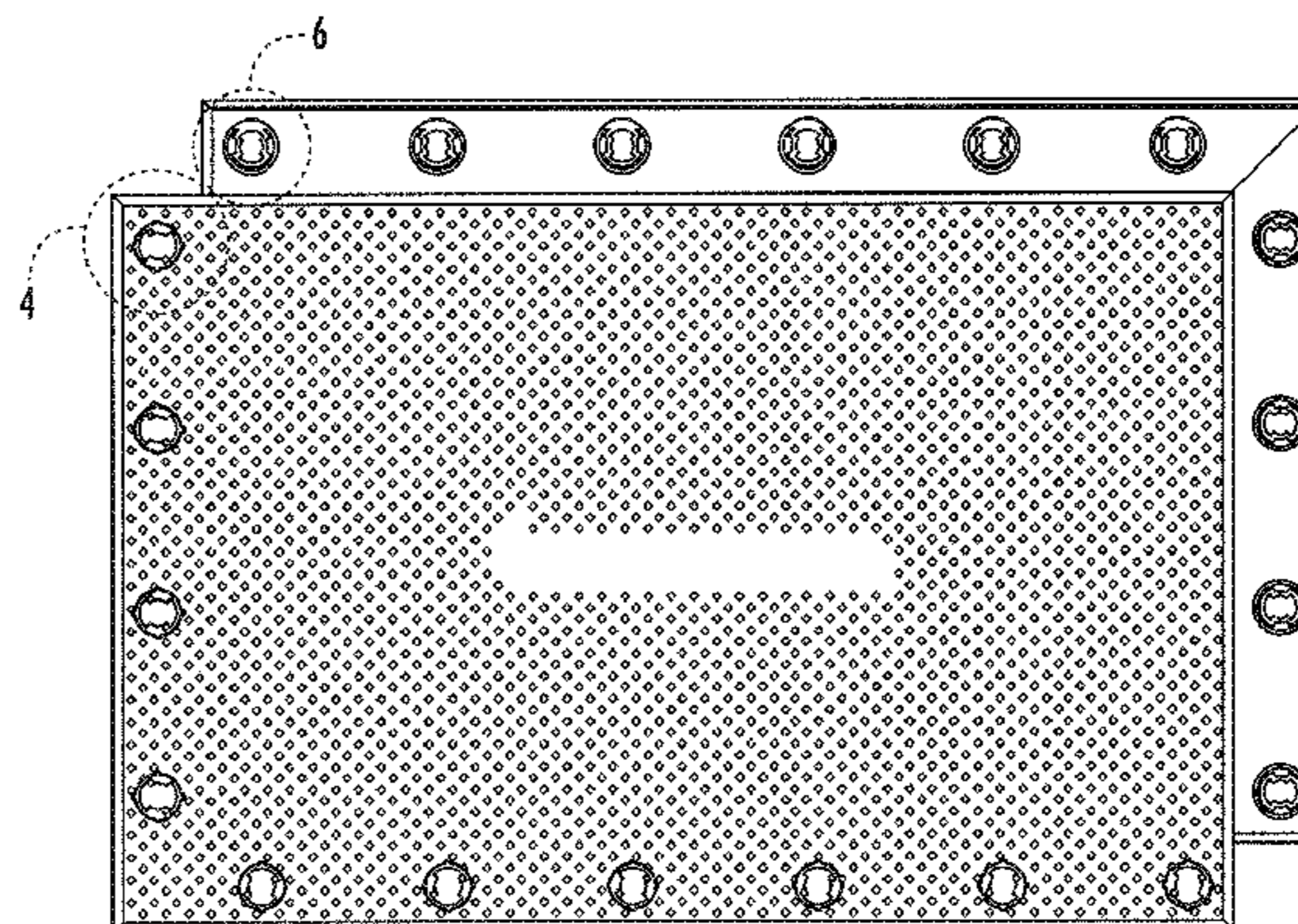
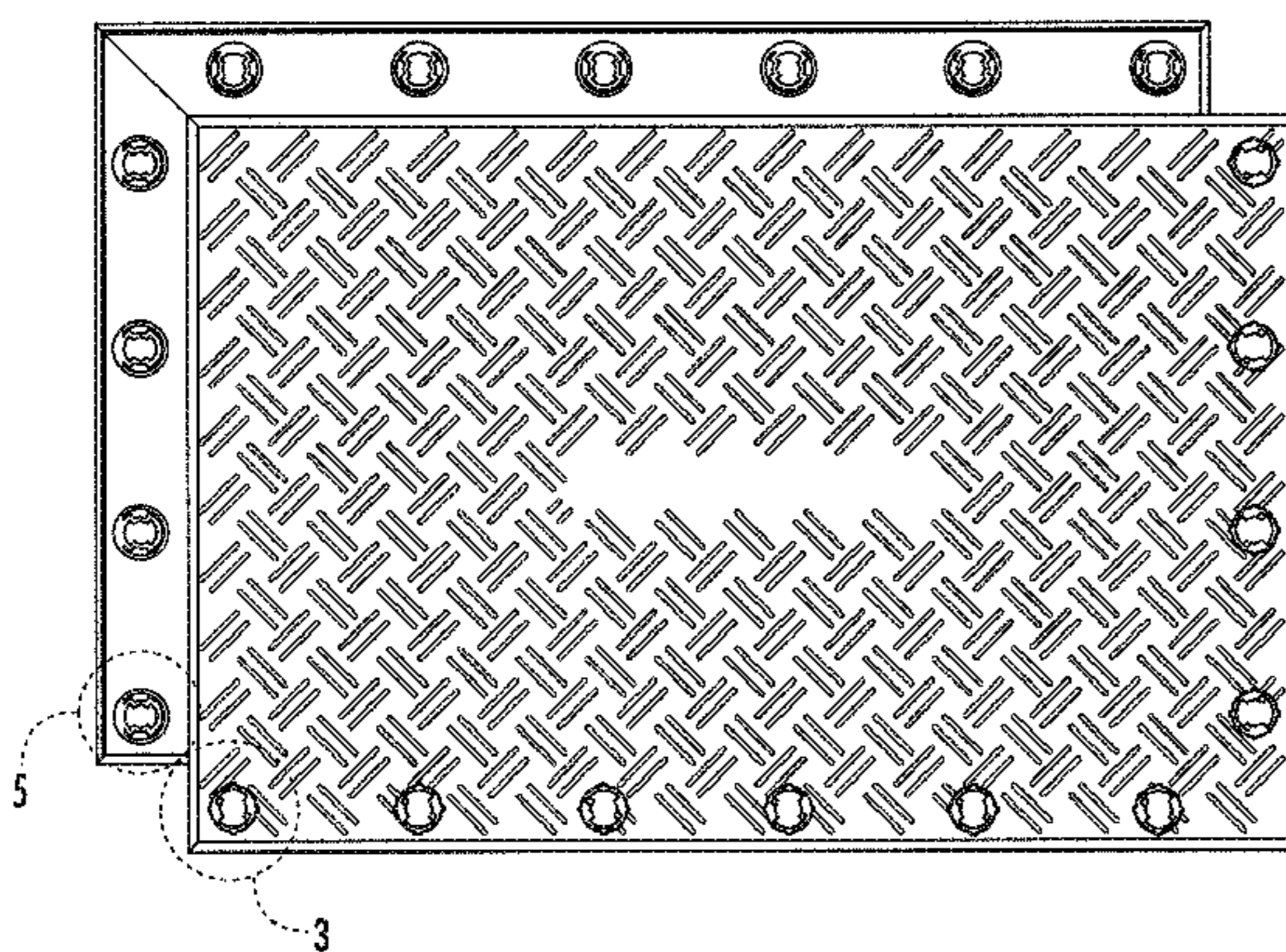
(12) **United States Design Patent** (10) **Patent No.:** **US D832,468 S**  
**Jones et al.** (45) **Date of Patent:** **\*\* Oct. 30, 2018**

- (54) **MODULAR FLOORING DEVICE**
- (71) Applicants: **Chad H. Jones**, Frisco, TX (US);  
**Andrew Sneeringer**, St. Cloud, FL (US);  
**Andrew Wolff**, Livonia, MI (US);  
**Daniel Himes**, Shelby, MI (US);  
**Bart Berghuis**, Rockledge, FL (US)
- (72) Inventors: **Chad H. Jones**, Frisco, TX (US);  
**Andrew Sneeringer**, St. Cloud, FL (US);  
**Andrew Wolff**, Livonia, MI (US);  
**Daniel Himes**, Shelby, MI (US);  
**Bart Berghuis**, Rockledge, FL (US)
- (73) Assignee: **Signature Systems Group, LLC**,  
Flower Mound, TX (US)
- (\*\*) Term: **15 Years**
- (21) Appl. No.: **29/543,029**
- (22) Filed: **Oct. 20, 2015**
- (51) **LOC (11) Cl.** ..... **25-01**
- (52) **U.S. Cl.**  
USPC ..... **D25/163**
- (58) **Field of Classification Search**  
USPC ..... D25/138-163  
CPC ..... E04G 1/15; F21V 21/02; H01R 13/648;  
E01C 5/00; E01C 5/20; E01C 9/086;  
E04F 2203/06; E04F 11/16; E04F 11/166;  
E04F 15/02022; E04F 15/02172; E04B  
5/02; E04B 5/023  
See application file for complete search history.

4,468,910 A *	9/1984	Morrison	.....	A01K 1/0157 404/36
4,629,358 A	12/1986	Springston		
4,840,825 A	6/1989	Aristodimou		
4,988,131 A	1/1991	Wilson et al.		
5,364,204 A	11/1994	MacLeod		
5,403,063 A	4/1995	Sjostedt et al.		
5,407,342 A	4/1995	Boucher et al.		
5,427,558 A	6/1995	Kundsen et al.		
5,469,999 A	11/1995	Phirippidis		
5,630,304 A	5/1997	Austin		
5,653,551 A	8/1997	Seaux		
5,833,386 A	11/1998	Rosan et al.		
5,992,106 A	11/1999	Carling et al.		
6,032,428 A	3/2000	Rosan et al.		
6,098,354 A	8/2000	Skandis		
6,220,785 B1	4/2001	Kennedy et al.		
6,245,415 B1	6/2001	Keller et al.		
6,282,858 B1	9/2001	Swick		
D456,533 S *	4/2002	Moller, Jr.	.....	D25/163
6,455,127 B1	9/2002	Valtanen		
6,511,257 B1	1/2003	Seaux et al.		
6,554,604 B1	4/2003	Schmidt		
6,564,522 B1	5/2003	Chiu-Ying		
6,649,110 B1	11/2003	Seaux et al.		
6,662,508 B1	12/2003	Else		
6,684,582 B2	2/2004	Peart et al.		
6,685,388 B2	2/2004	Webster et al.		
6,695,527 B2	2/2004	Seaux		
6,719,551 B2	4/2004	Polk, Jr.		
D498,307 S *	11/2004	Zimmerle	.....	D25/138
6,869,558 B2	3/2005	Polk, Jr.		
6,900,547 B2	5/2005	Polk, Jr.		
6,909,373 B2	6/2005	Power et al.		
D515,223 S *	2/2006	Geffe	.....	D25/163
7,208,219 B2	4/2007	Polk, Jr.		
7,299,592 B2 *	11/2007	Moller, Jr.	.....	E04F 15/105 52/177
7,303,800 B2	12/2007	Rogers		
7,401,441 B2 *	7/2008	Zimmerle	.....	E01C 11/229 119/525
7,413,374 B2	8/2008	Rogers et al.		
7,487,622 B2 *	2/2009	Wang	.....	E04F 13/0862 52/177
7,607,265 B2	10/2009	Curry et al.		
7,621,092 B2	11/2009	Groeke et al.		
7,779,595 B2	8/2010	Polk, Jr.		
7,837,917 B2	11/2010	Polk, Jr.		
7,842,225 B2	11/2010	Polk, Jr.		
7,842,226 B2	11/2010	Polk, Jr.		
7,914,228 B2	3/2011	Rapaz		
7,923,095 B2	4/2011	Polk, Jr.		
7,931,845 B2	4/2011	Polk, Jr.		

(56) **References Cited**  
U.S. PATENT DOCUMENTS

1,977,496 A	10/1934	Snyder et al.	
3,397,496 A	8/1968	Sohns	
D215,582 S *	10/1969	Bogan, Jr.	..... 428/134
3,964,221 A	6/1976	Berquist	
4,198,795 A	4/1980	Barnidge	
4,238,181 A	12/1980	Dannels et al.	
4,436,779 A	3/1984	Menconi et al.	



7,955,550	B2	6/2011	Polk, Jr.	
8,070,471	B2	12/2011	Polk, Jr.	
D667,144	S *	9/2012	Else .....	D25/158
8,414,217	B2 *	4/2013	Rosan .....	E01C 5/20 404/35
8,936,374	B1 *	1/2015	Royse .....	F21V 33/006 362/153
D727,884	S *	4/2015	Fathollahi .....	D14/250
9,010,060	B2 *	4/2015	Rapaz .....	E04C 2/34 428/133
9,212,746	B2 *	12/2015	McDowell .....	F16J 15/10
9,249,570	B2 *	2/2016	Jean .....	E04B 5/023
9,506,255	B1 *	11/2016	Jones .....	E01C 9/086
2002/0059764	A1	5/2002	Schluter	
2002/0084543	A1	7/2002	Buja	
2003/0113162	A1	6/2003	Seaux et al.	
2003/0197296	A1	10/2003	Krassilnikov	
2004/0216250	A1	11/2004	Dumlao et al.	
2004/0258869	A1	12/2004	Walker	
2006/0070314	A1	4/2006	Jenkins et al.	
2006/0159793	A1	7/2006	Hahn et al.	
2006/0265975	A1	11/2006	Geffe	
2007/0079569	A1	4/2007	Curry et al.	
2007/0102243	A1 *	5/2007	Ruminski .....	E01C 5/20 182/222
2007/0108668	A1	5/2007	Hutchinson et al.	
2007/0113492	A1	5/2007	Dickey et al.	
2007/0137129	A1	6/2007	Sondermann	
2007/0261317	A1	11/2007	Moller, Jr.	
2008/0127593	A1	6/2008	Janesky	
2009/0165414	A1 *	7/2009	Burk .....	E04F 15/225 52/403.1
2009/0308002	A1	12/2009	Curry et al.	
2011/0023389	A1 *	2/2011	Myers .....	E04B 1/003 52/173.1
2011/0097489	A1	4/2011	Kerr et al.	
2011/0193253	A1	8/2011	Polk et al.	
2011/0277926	A1	11/2011	Polk, Jr.	
2015/0096250	A1 *	4/2015	Lam .....	E04F 15/02038 52/403.1
2016/0301161	A1 *	10/2016	McDowell .....	H02B 13/025

FOREIGN PATENT DOCUMENTS

DE	20209502	U1	10/2002
EP	1913213	A1	4/2008
GB	2256023	A	11/1992
WO	WO9220885	A1	11/1992

OTHER PUBLICATIONS

MegaDeck Photos—Protective Matting & Temporary Roadway Gallery (on-line), dated Sep. 26, 2011. Retrieved from Internet Apr. 4, 2017, URL: <https://web.archive.org/web/20110926113010/http://www.megadeckrigmats.com/megadeck-gallery.php> (3 pages).\*

MegaDeck HD—Rig Mat Systems (on-line), dated Jun. 25, 2016. Retrieved from Internet Apr. 4, 2017, URL: <https://web.archive.org/web/20160625003824/http://www.megadeckrigmats.com/what-is-megadeck.php> (3 pages).\*

SignaRoad—The Most Versatile mat on the Market (on-line), dated May 13, 2016. Retrieved from Internet Apr. 4, 2017, URL <https://web.archive.org/web/20160513120056/http://www.megadeckrigmats.com/SignaRoad.php> (3 pages).\*

Matting / Portable Roadways (on-line), dated Mar. 22, 2013. Retrieved from Internet Apr. 4, 2017, URL: [https://web.archive.org/web/20130322122658/http://coleservicesnj.com/matting\\_rentals.html](https://web.archive.org/web/20130322122658/http://coleservicesnj.com/matting_rentals.html) (1 page).\*

Rain for Rent SolidGround Traction Mats (on-line), dated Jan. 30, 2013. Retrieved from Internet Apr. 4, 2017, URL: <https://web.archive.org/web/20130130023451/http://www.rainforrent.com/SolidGroundTM-Traction-Mats.aspx> (1 page).\*

International Searching Authority; International Search Report and Written Opinion of the International Searching Authority; International Application No. PCT/US2013/58130; Patent Cooperation

Treaty; pp. 1-10; publisher United States Patent Office; Published Alexandria, Virginia, USA; copyright and dated Jan. 16, 2014; (10 pages).

International Searching Authority; International Search Report and Written Opinion of the International Searching Authority; International Application No. PCT/US2010/36218; Patent Cooperation Treaty; pp. 1-8; publisher United States Patent Office; Published Alexandria, Virginia, USA; copyright and dated Aug. 2, 2010; (8 pages).

International Searching Authority; International Search Report and Written Opinion of the International Searching Authority; International Application No. PCT/US2012/034220; Patent Cooperation Treaty; pp.1-8; publisher United States Patent Office; Published Alexandria, Virginia, USA; copyright and dated Jul. 3, 2012; (8 pages).

Great Britain Intellectual Property Office; Examination Report Under Section 18(3); Examination Report from Great Britain Patent Application No. GB1122129.8; copyright and dated May 27, 2015; pp. 1-5; publisher Great Britain Intellectual Property Office; Published Newport, South Wales; copyright and dated date May 27, 2015; (5 pages).

Great Britain Intellectual Property Office; Examination Report Under Section 18(3); Examination Report from Great Britain Patent Application No. GB1122129.8; copyright and dated Jan. 20, 2015; pp. 1-5; publisher Great Britain Intellectual Property Office; Published Newport, South Wales; copyright and dated Jan. 20, 2015; (5 pages).

European Patent Office; Extended European Search Report from European Application No. 12774404.3; copyright and dated Jul. 30, 2014; pp. 1-6; publisher European Patent Office; Published Munich, Germany, copyright and dated Jul. 30, 2014; (6 pages).

\* cited by examiner

Primary Examiner — Vy N Koenig  
 Assistant Examiner — Kimberly Barnes  
 (74) Attorney, Agent, or Firm — Metz Lewis Brodman  
 Must O'Keefe LLC

(57) CLAIM

The ornamental design of a modular flooring device, as shown and described.

DESCRIPTION

FIG. 1 is a plan view of a first side of the modular flooring device;  
 FIG. 2 is a plan view of a second side of the modular flooring device;  
 FIG. 3 is a detail plan view of a corner of the modular flooring device of FIG. 1;  
 FIG. 4 is a detail plan view of a corner of the modular flooring device of FIG. 2;  
 FIG. 5 is a detail plan view of a different corner of the modular flooring device of FIG. 1;  
 FIG. 6 is a detail plan view of a different corner of the modular flooring device of FIG. 2;  
 FIG. 7 is a side elevation view of the modular flooring device of FIG. 2;  
 FIG. 8 is a detail elevation view of FIG. 7;  
 FIG. 9 is a plan view of a first half of the modular flooring device shown in FIG. 1, but unassembled from a second half shown in FIG. 2;  
 FIG. 10 is a detail perspective view of a corner of the first half shown in FIG. 9;  
 FIG. 11 is a plan view of the reverse side of the first half shown in FIG. 9;

FIG. 12 is a detail perspective view of a corner of the first half shown in FIG. 11;

FIG. 13 is a plan view of the second half of the modular flooring device shown in FIG. 2, but unassembled from the first half shown in FIG. 1;

FIG. 14 is a detail perspective view of a corner of the second half shown in FIG. 13;

FIG. 15 is a plan view of the reverse side of the second half shown in FIG. 13;

FIG. 16 is a detail perspective view of a corner of the second half shown in FIG. 15;

FIG. 17 is a plan view showing three modular flooring devices from FIG. 1 partially overlapping and connected together in a position of use. Only one device is claimed; the additional occurrences are shown in solid lines for clarity of illustration;

FIG. 18 is a detail perspective view of FIG. 17 where the three modular flooring devices come together, showing an

exploded view of a fastener and receiver of a modular flooring device for ease of illustration. The orientation of this detail view has been rotated counter-clockwise slightly from what is shown in FIG. 17;

FIG. 19 is a further detail perspective view of FIG. 18, shown from the second side and further rotated counter-clockwise;

FIG. 20 is a plan view of a detail of the modular flooring device of FIG. 17, shown from the first side and in an unlocked position;

FIG. 21 is a plan view of the detail of FIG. 20, shown from the second side;

FIG. 22 is a plan view of a detail of FIG. 20, shown from the first side and in a locked position; and,

FIG. 23 is a plan view of the detail of FIG. 22, shown from the second side.

**1 Claim, 10 Drawing Sheets**

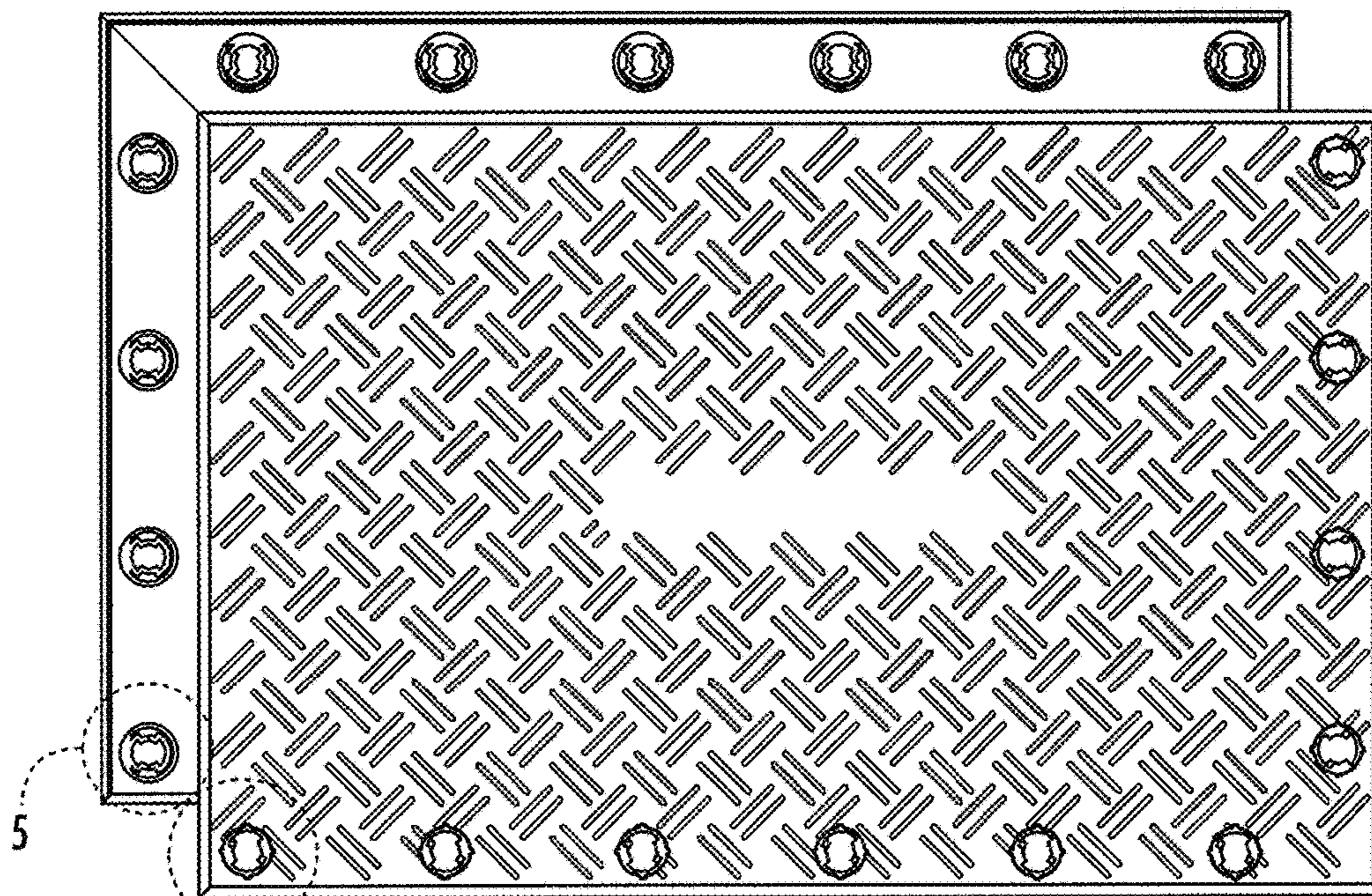


FIG. 1

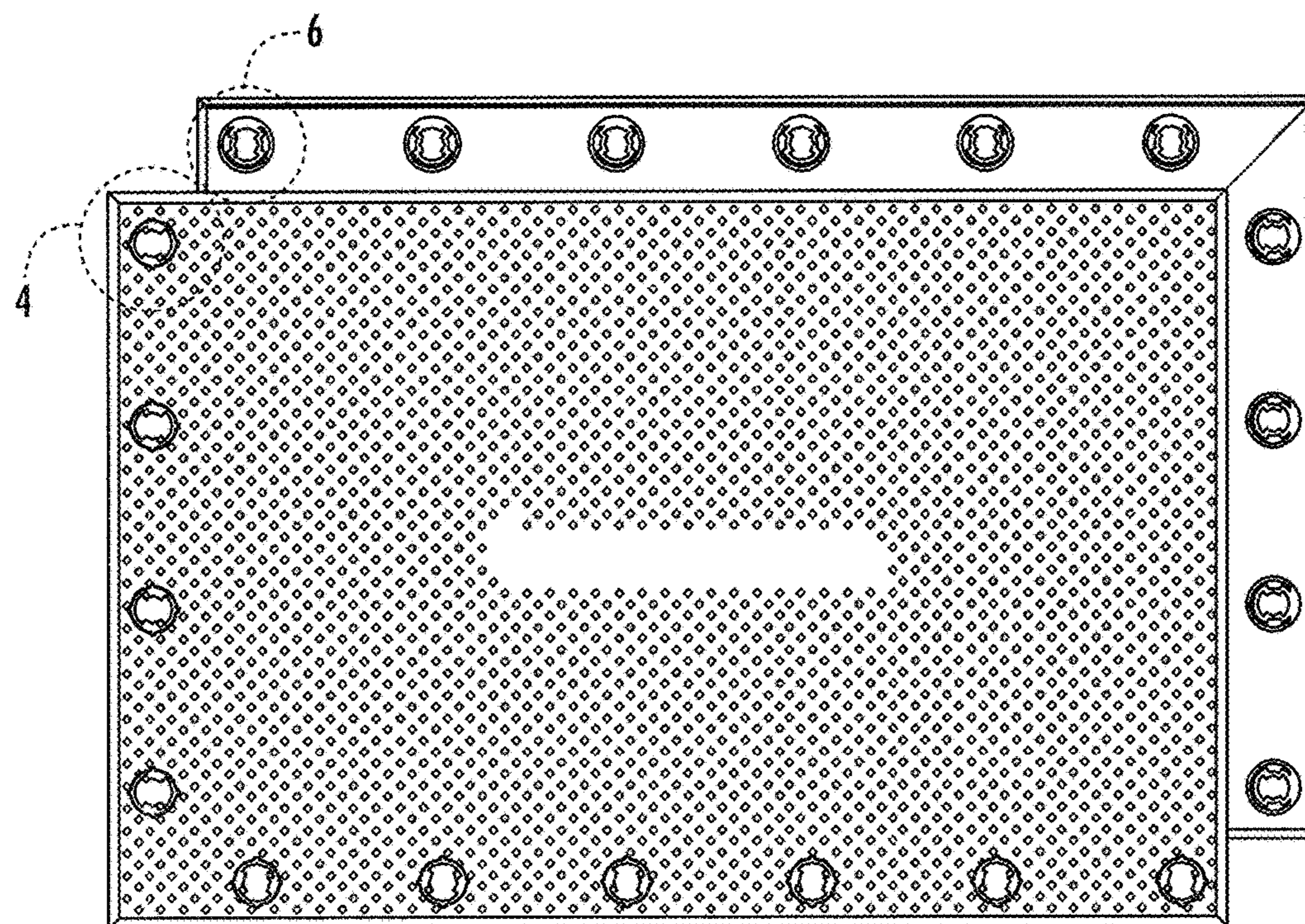
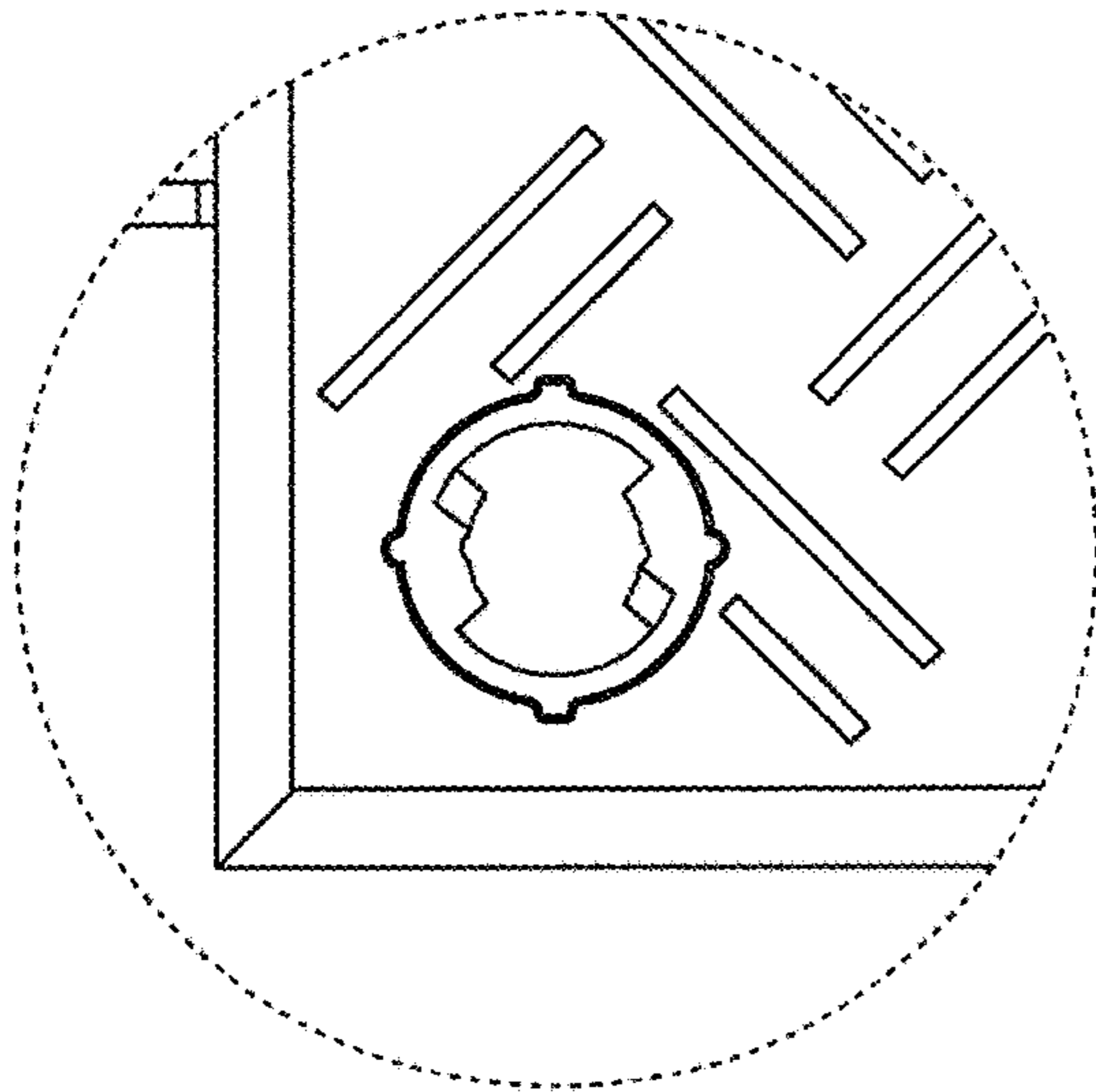
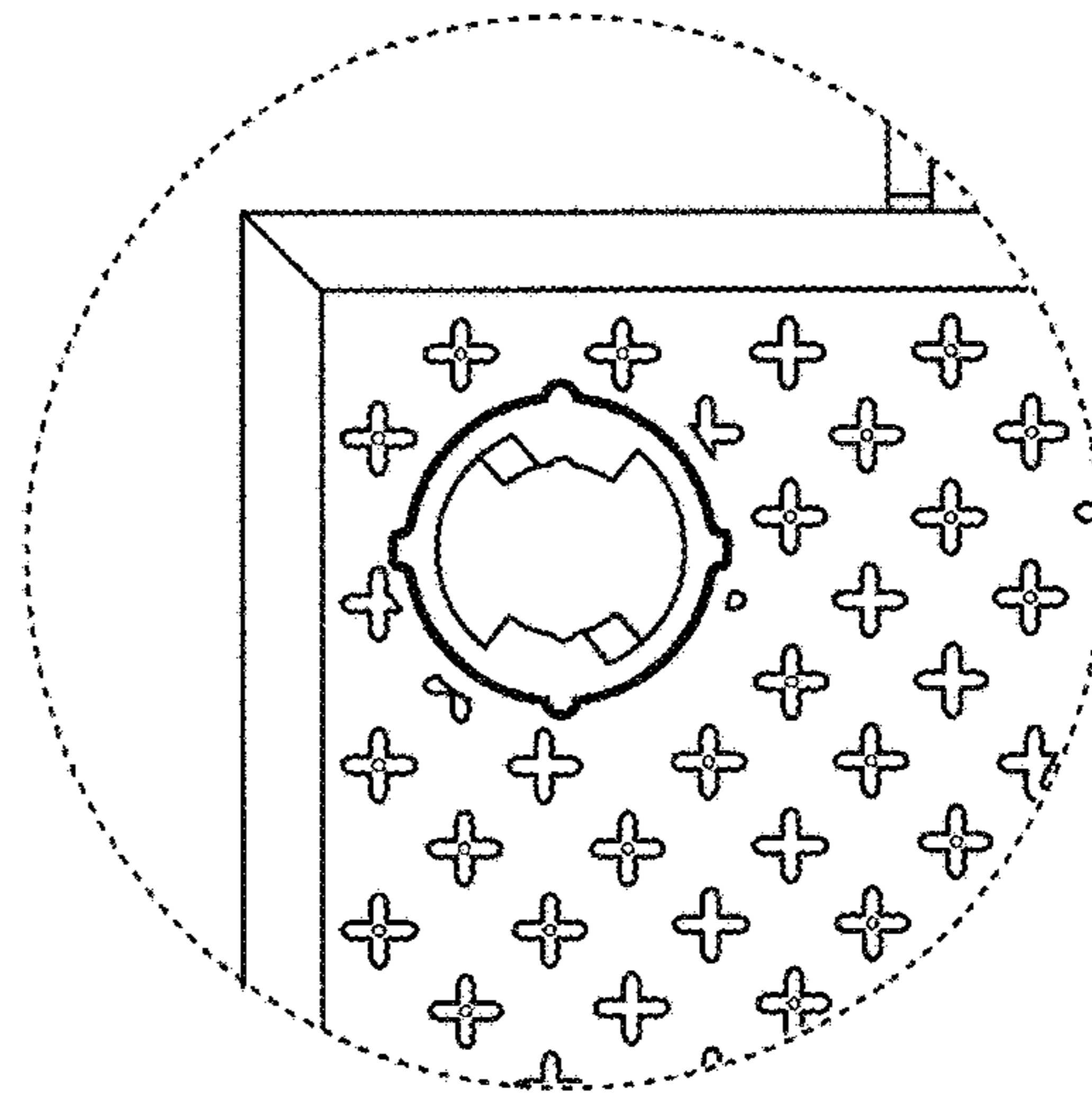


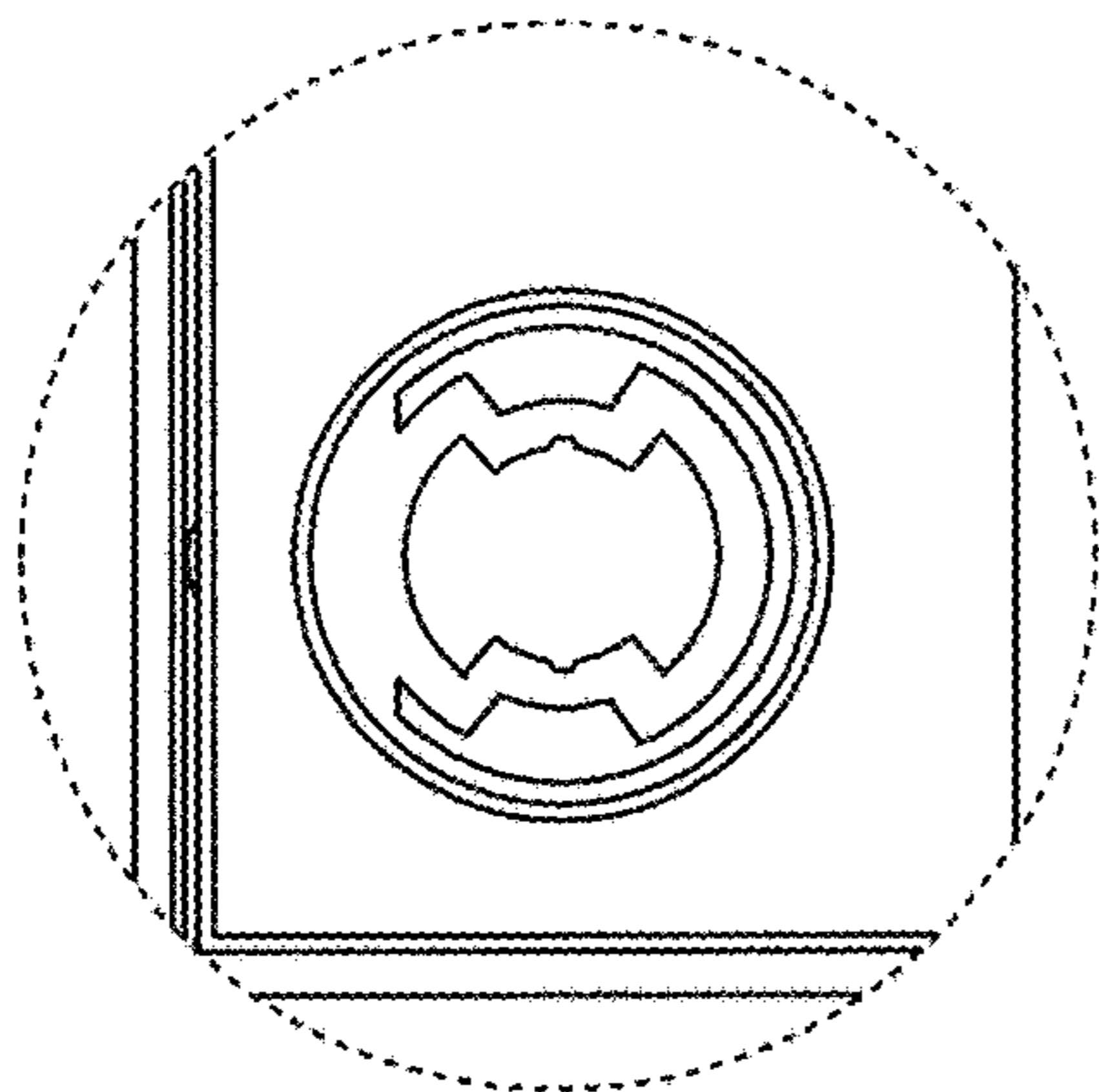
FIG. 2



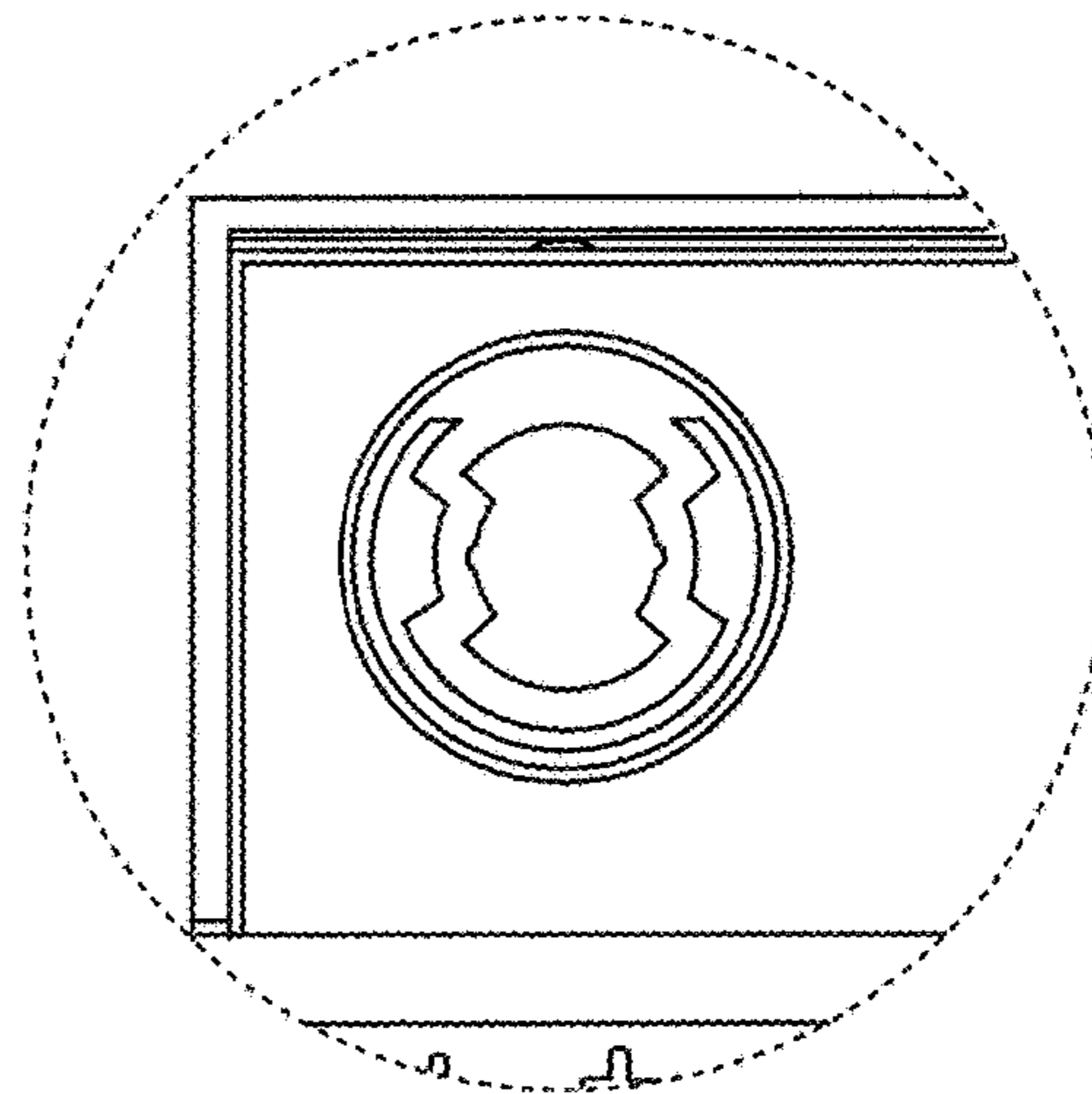
**FIG. 3**



**FIG. 4**



**FIG. 5**



**FIG. 6**

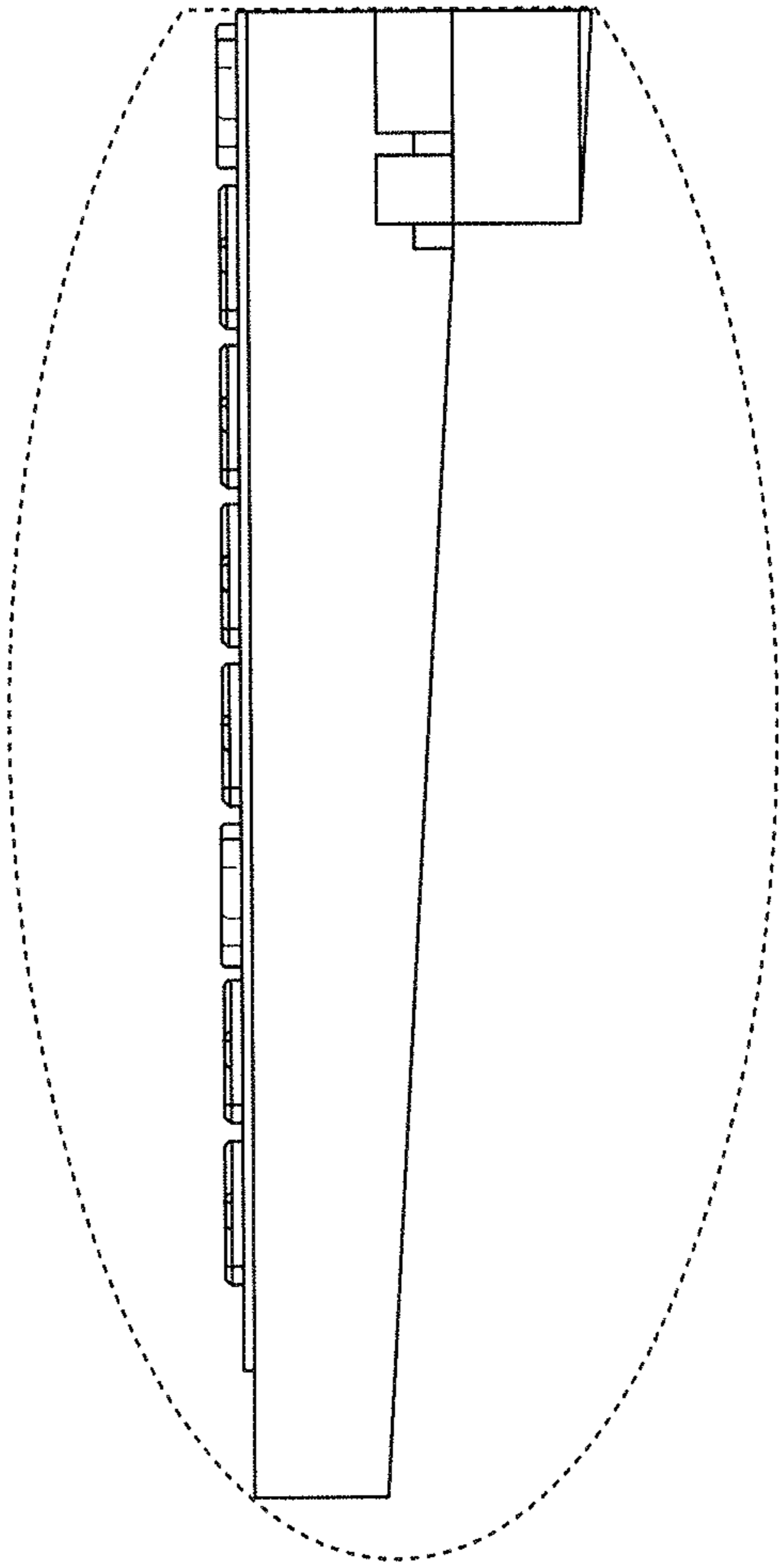
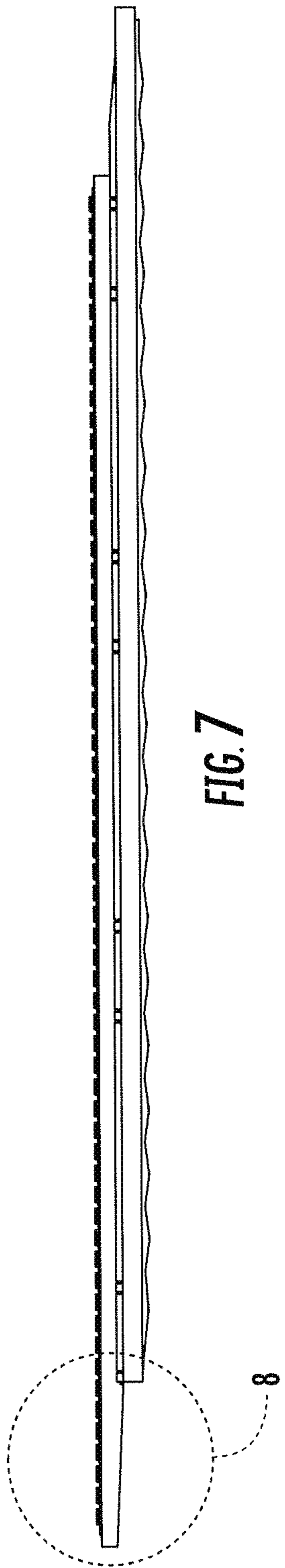


FIG. 7

FIG. 8

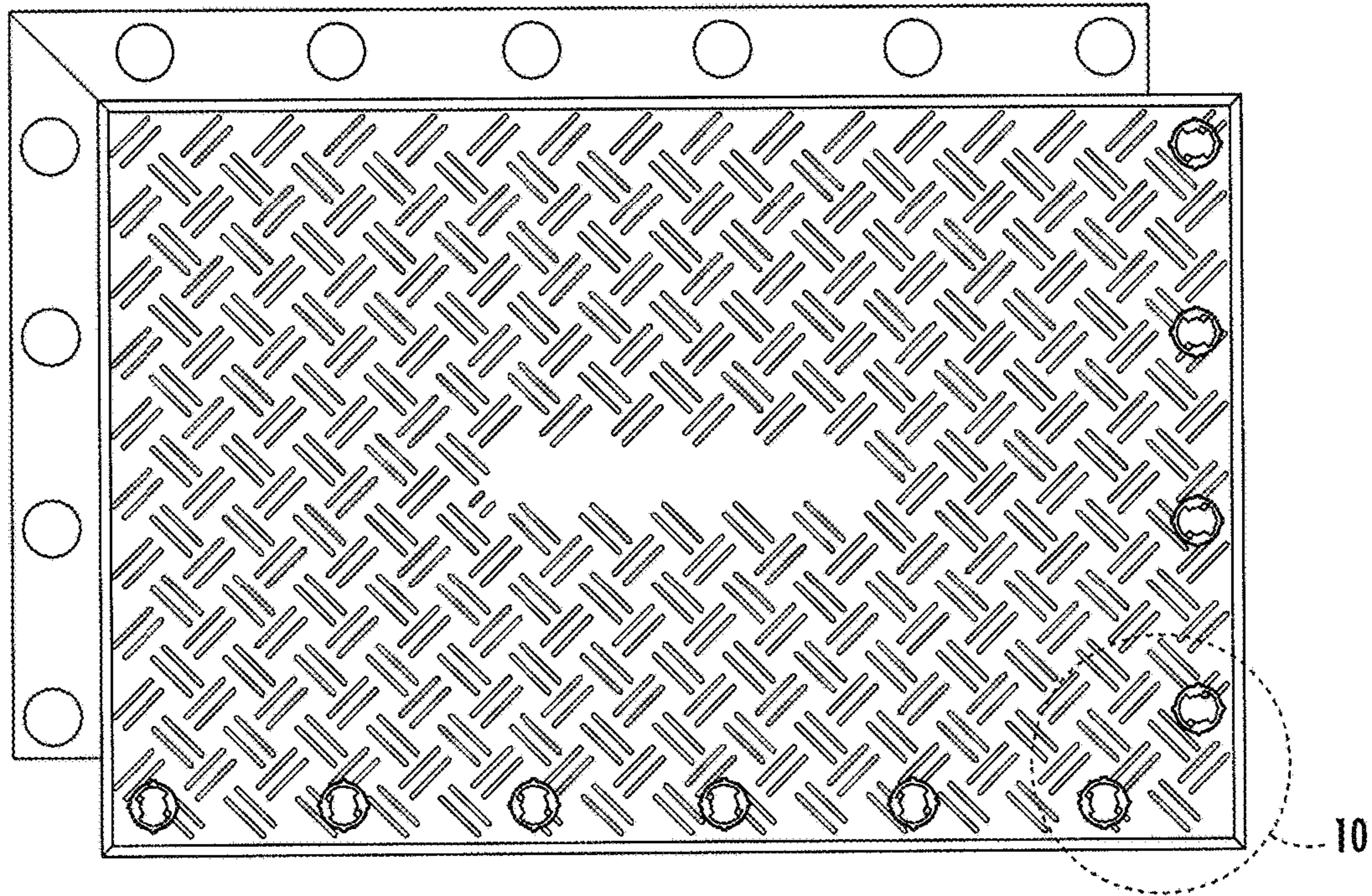


FIG. 9

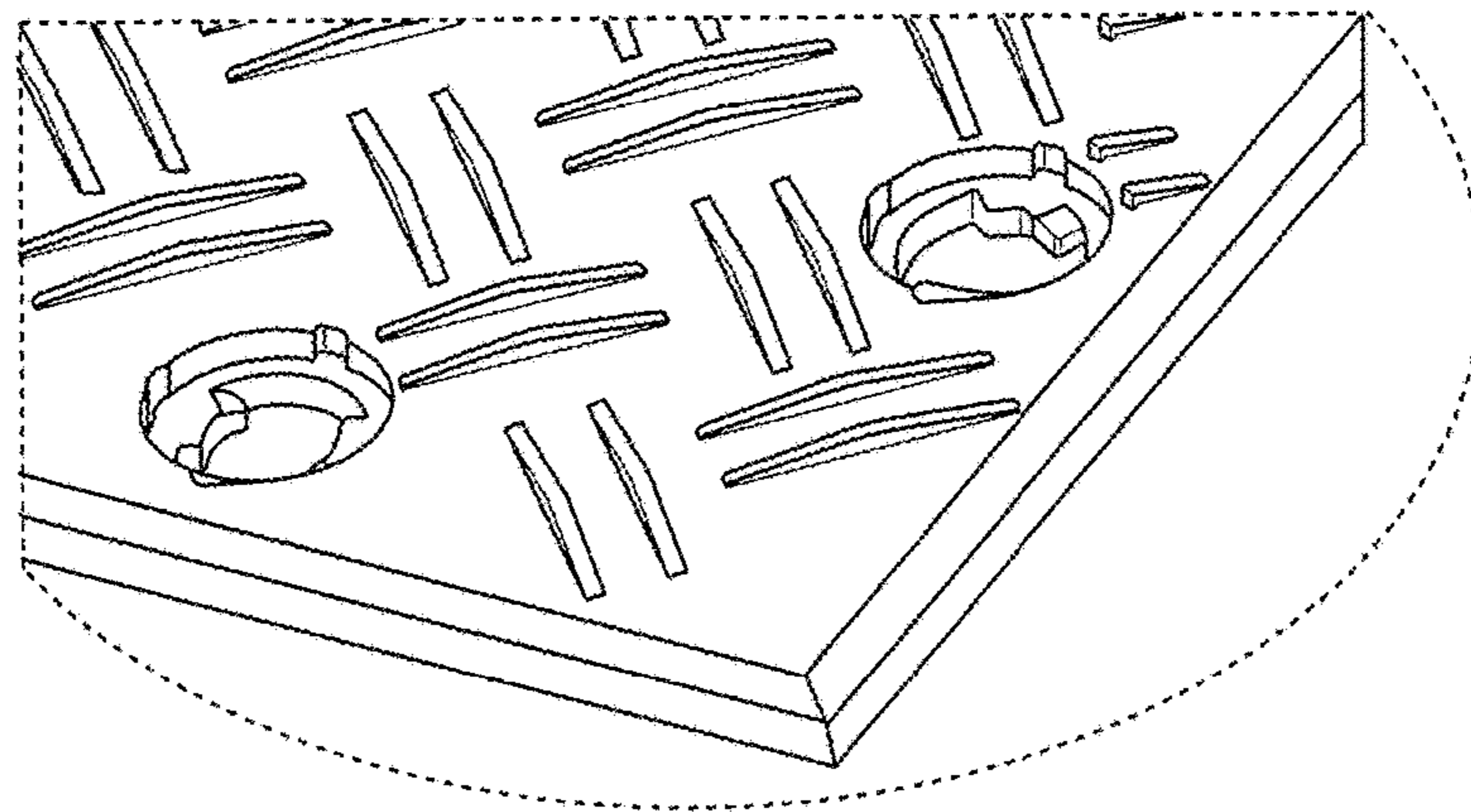


FIG. 10

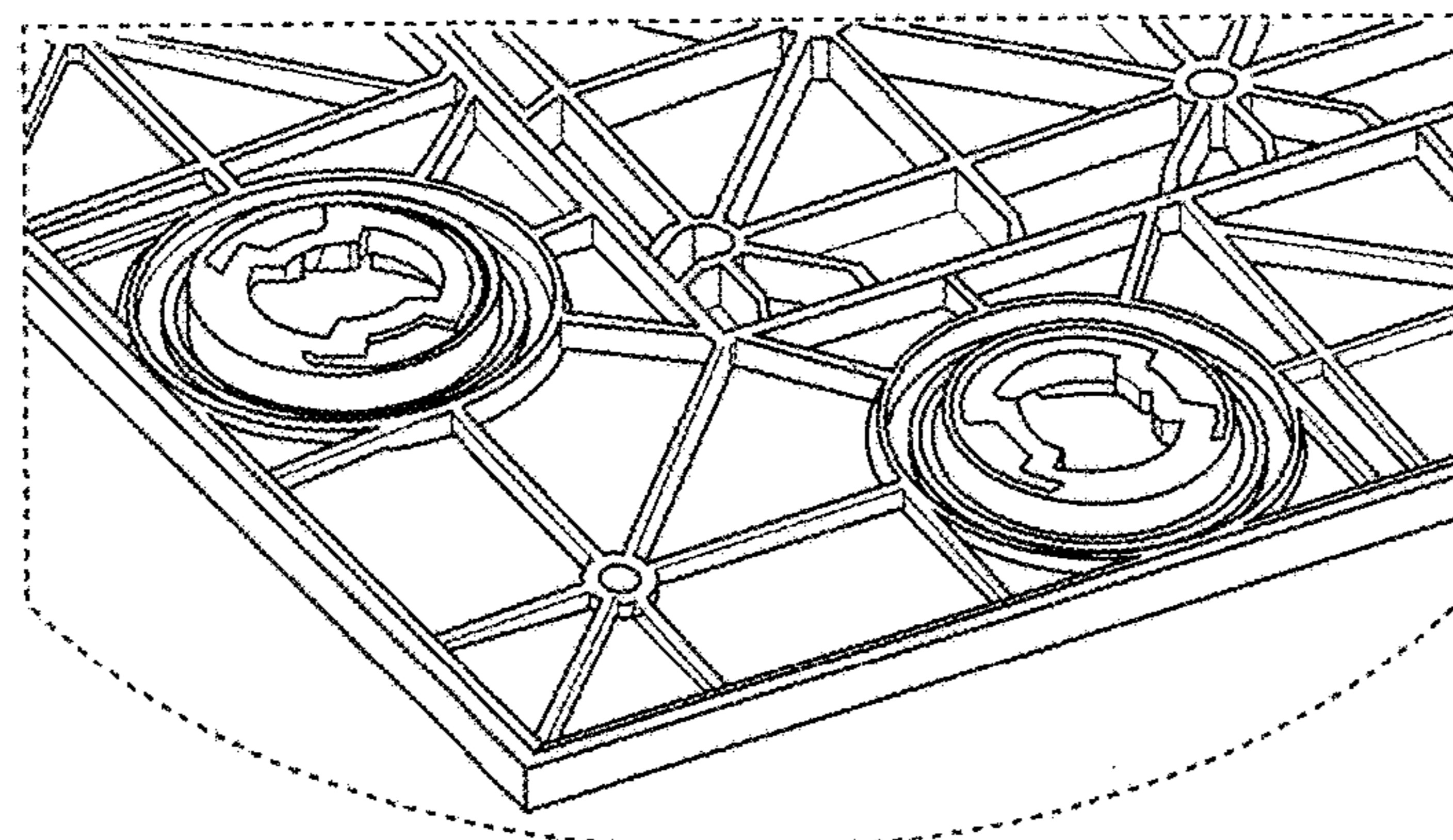
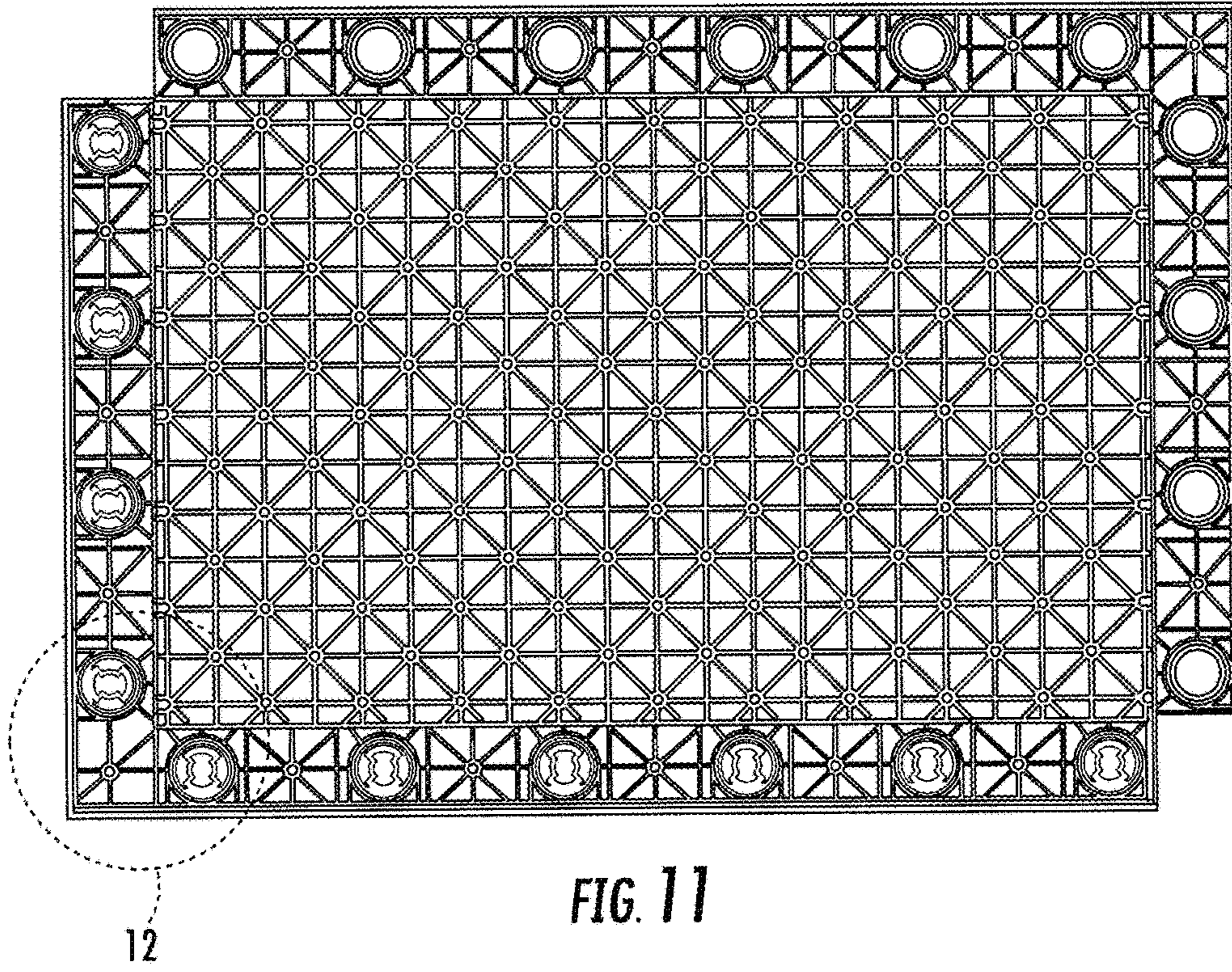


FIG. 12



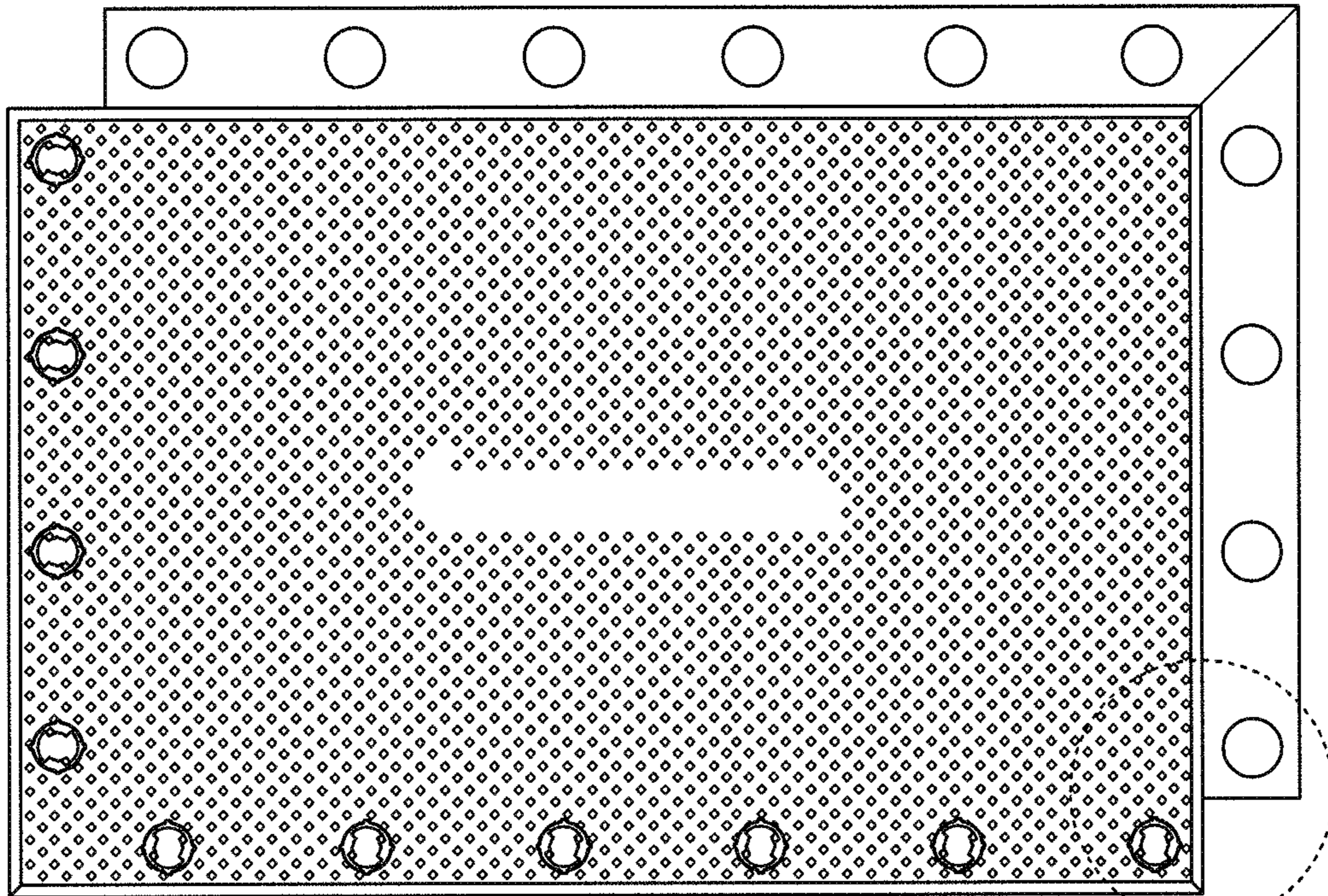


FIG. 13

14

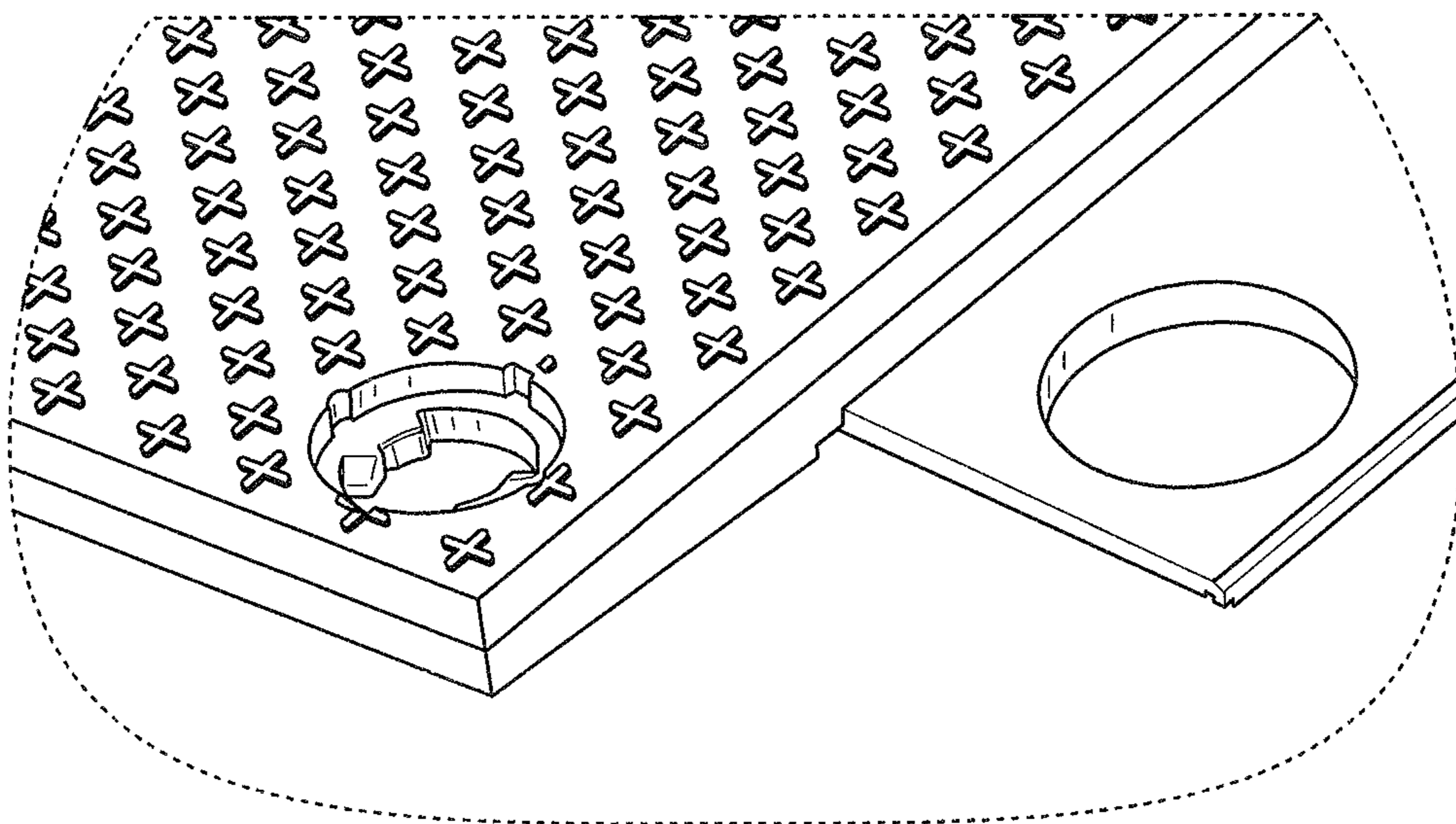


FIG. 14

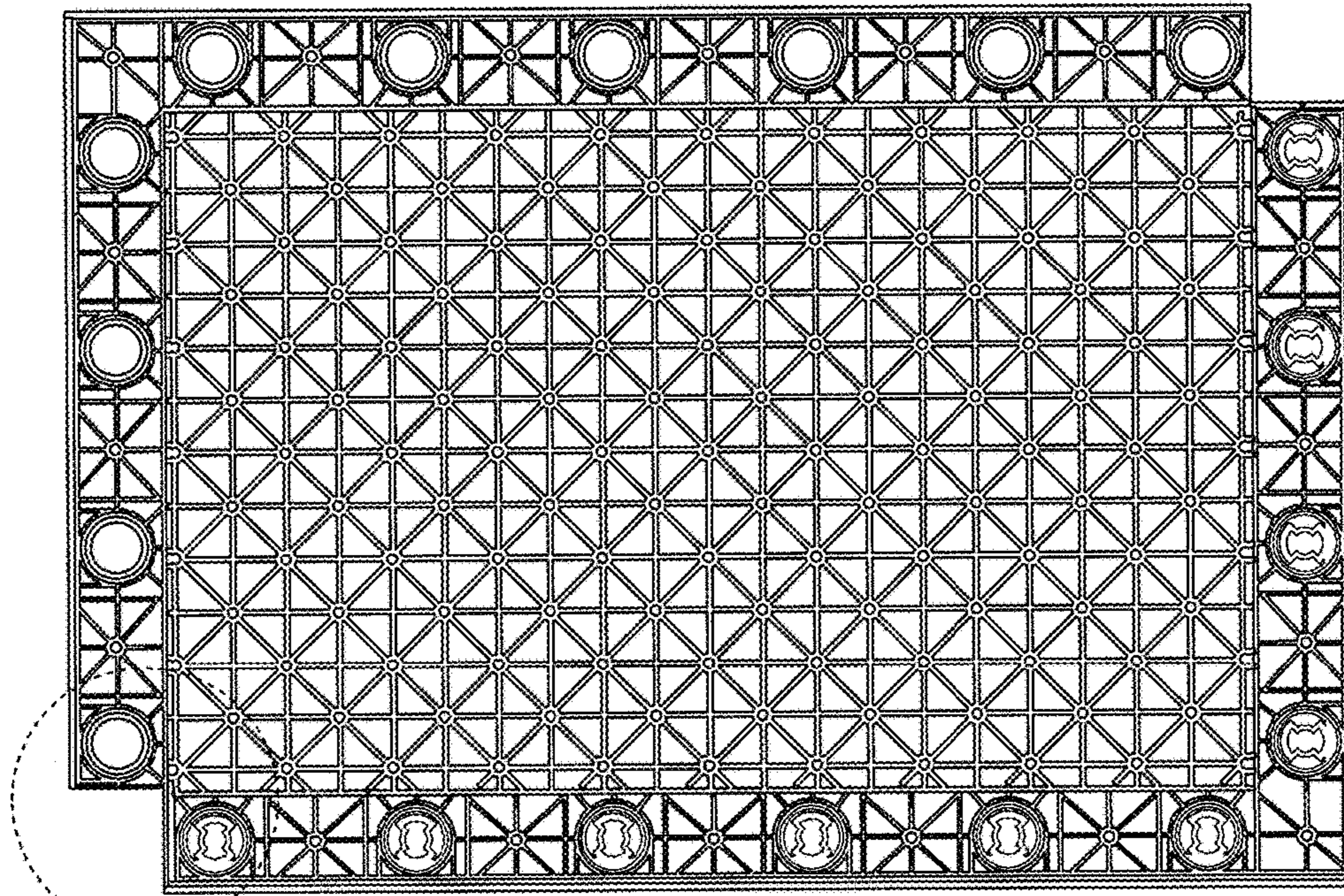


FIG. 15

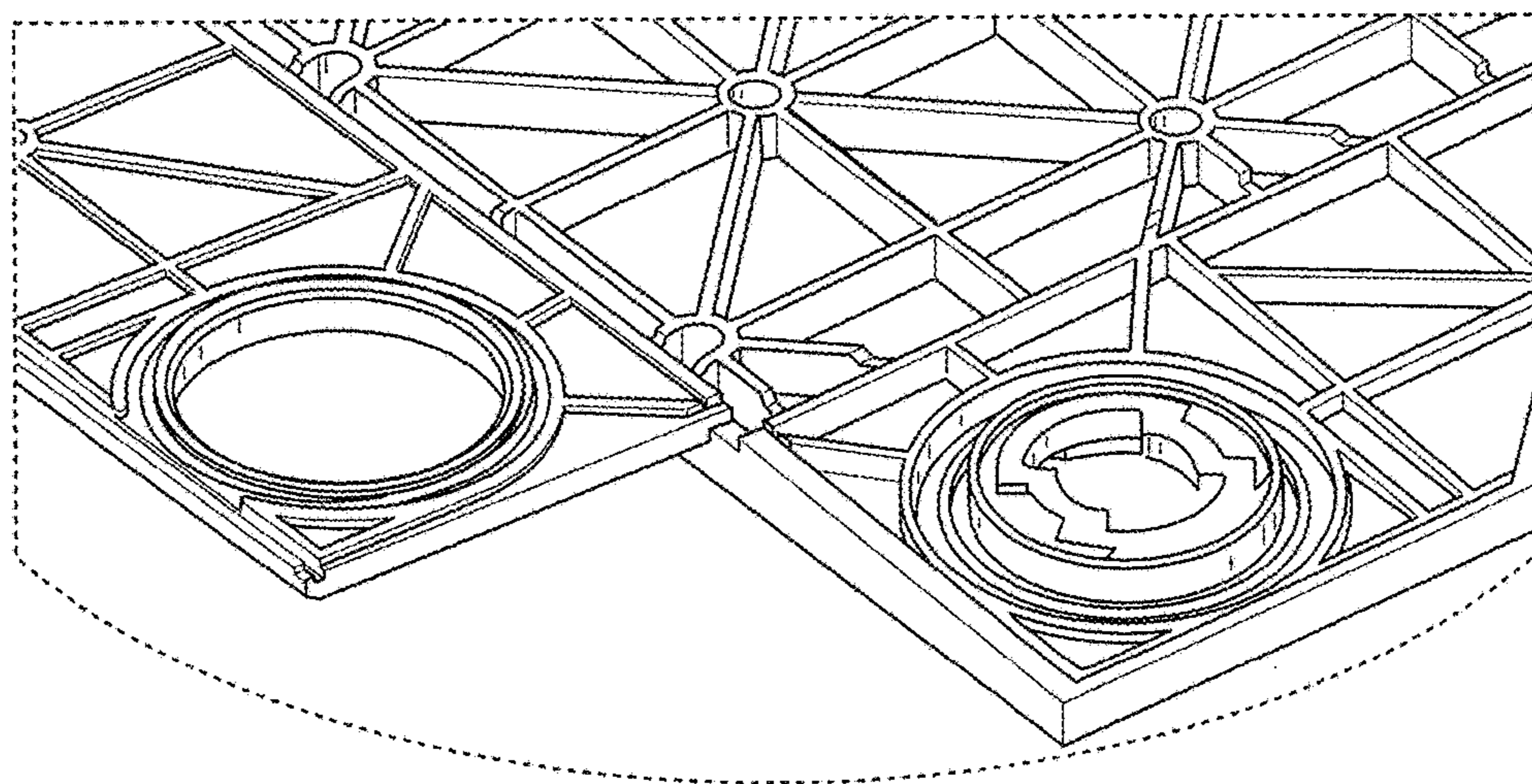


FIG. 16

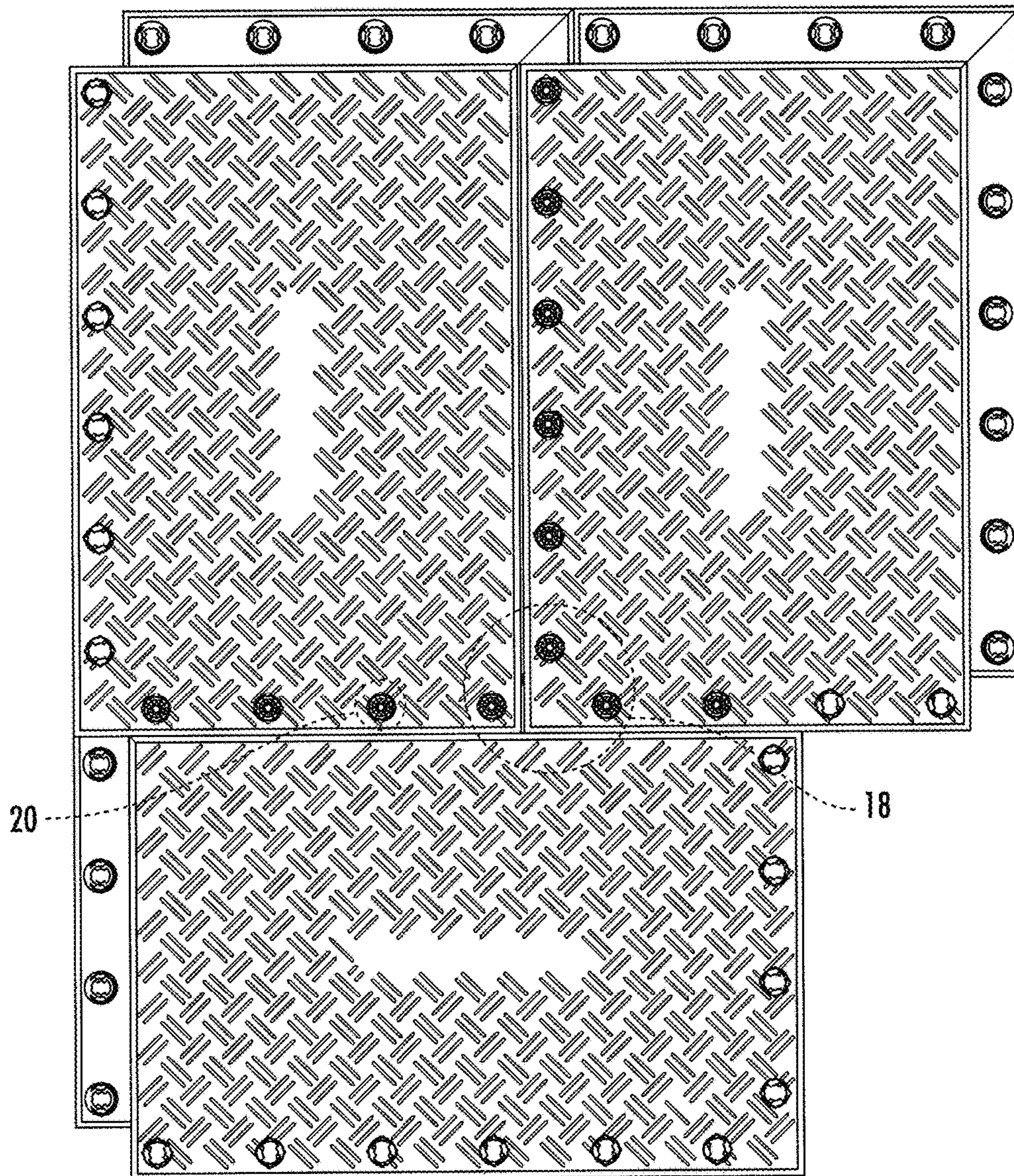


FIG. 17

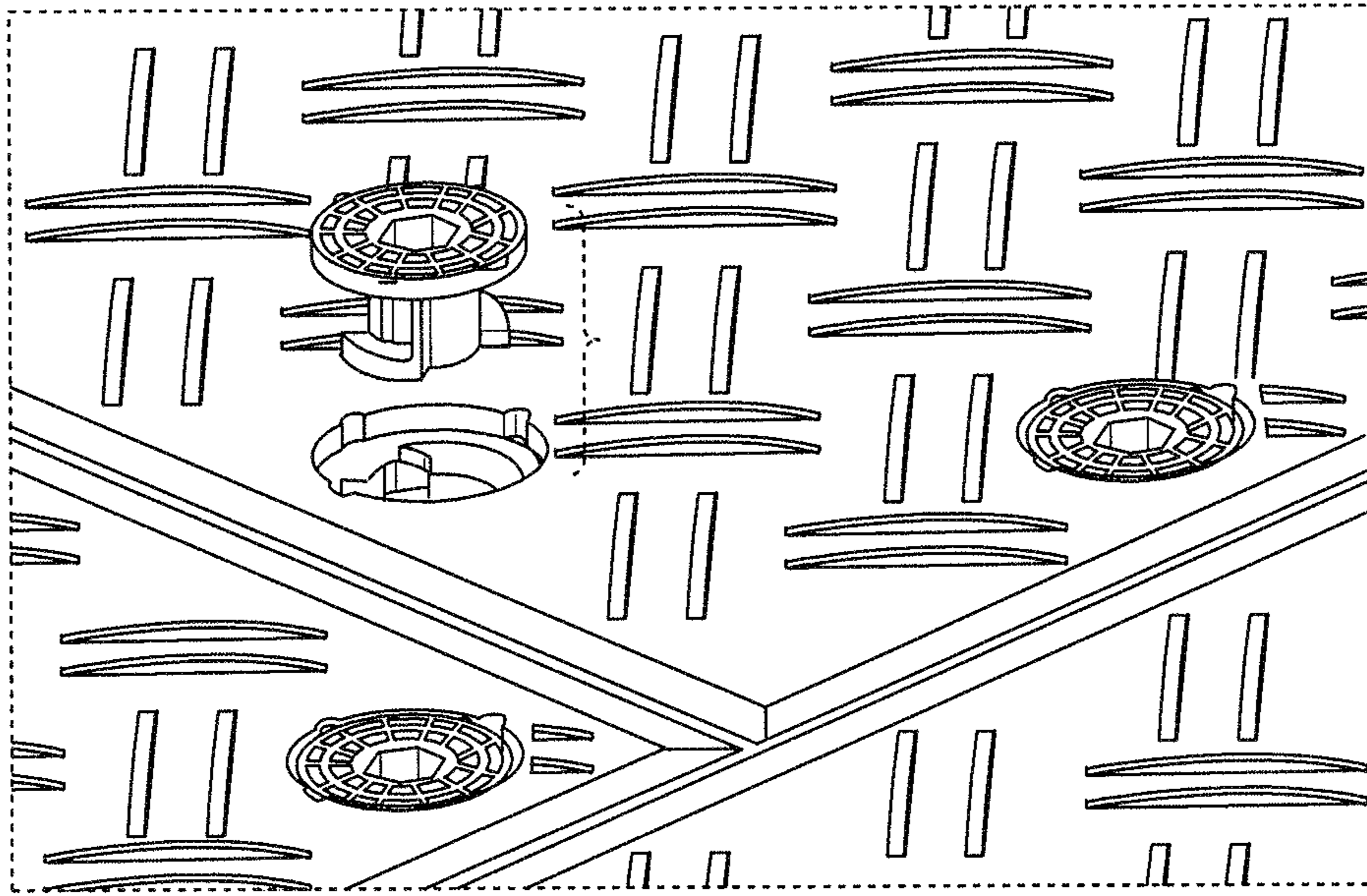


FIG. 18

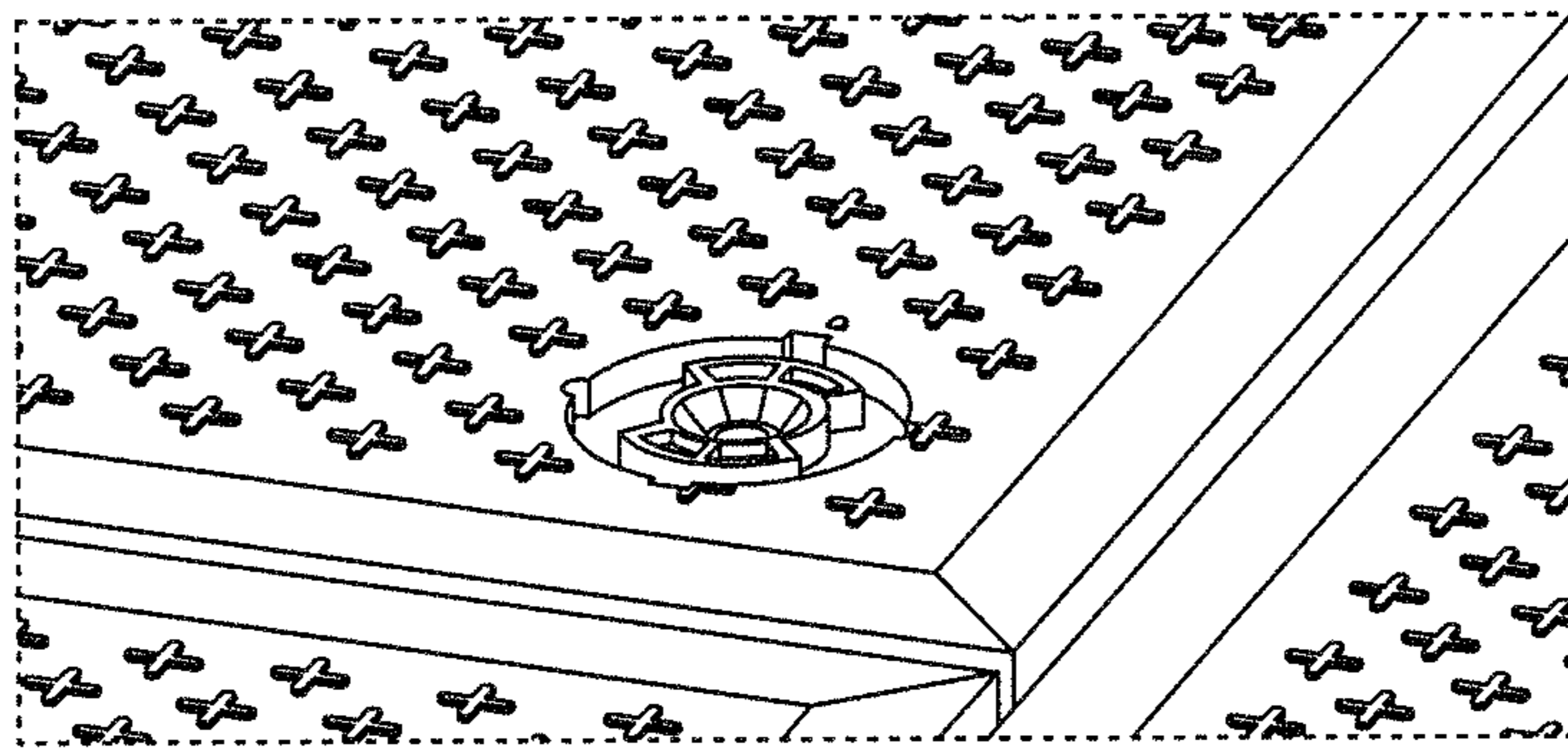


FIG. 19

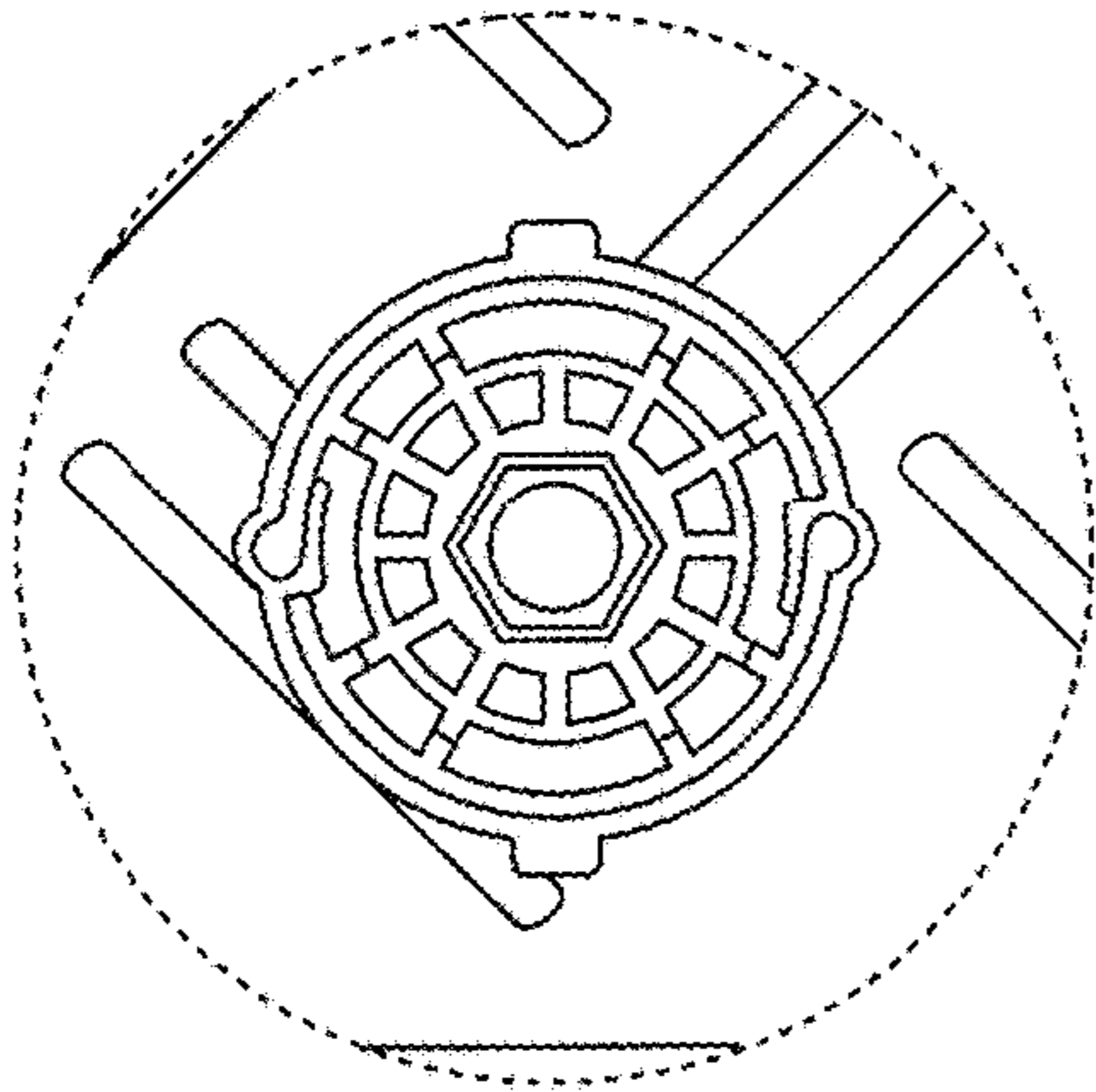


FIG. 20

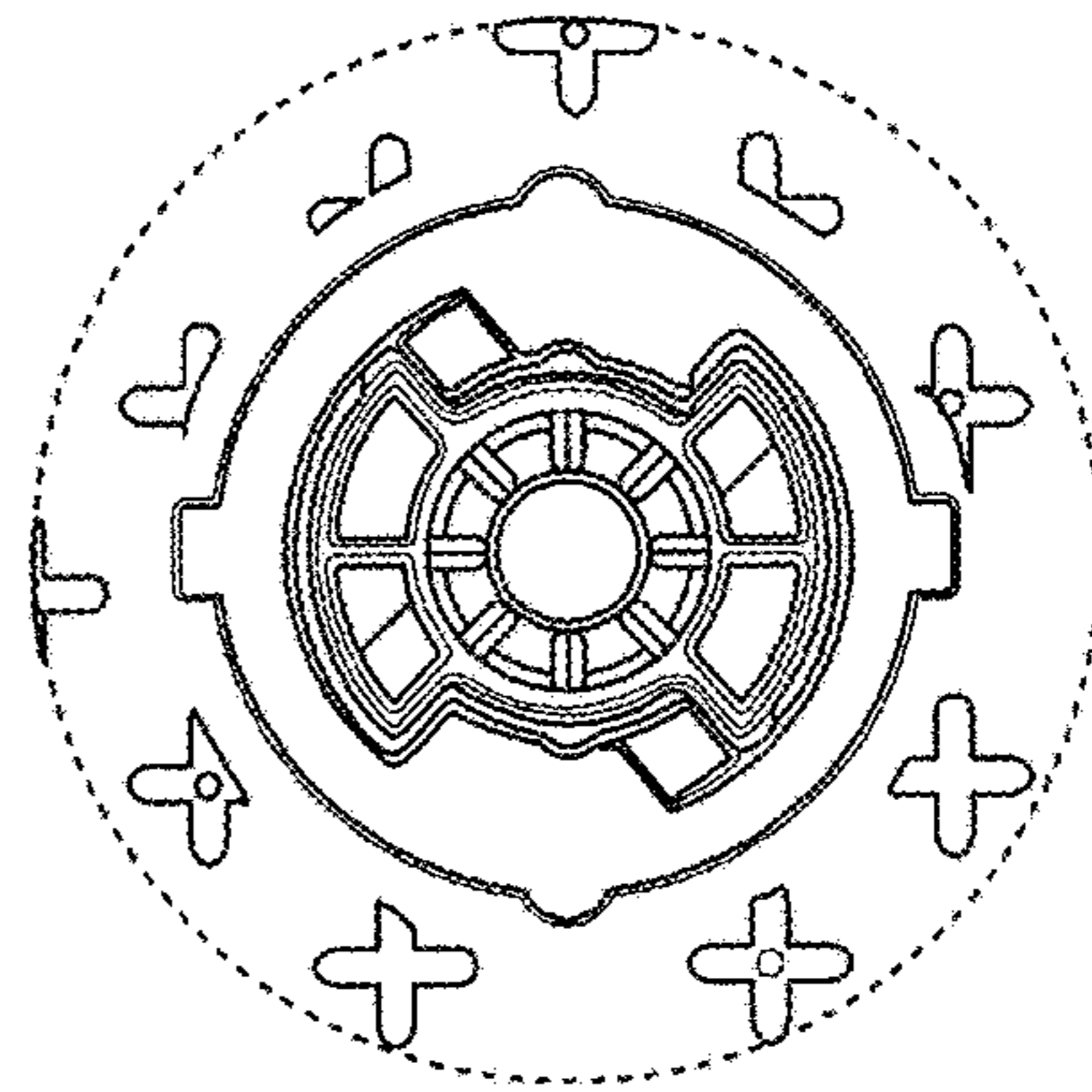


FIG. 21

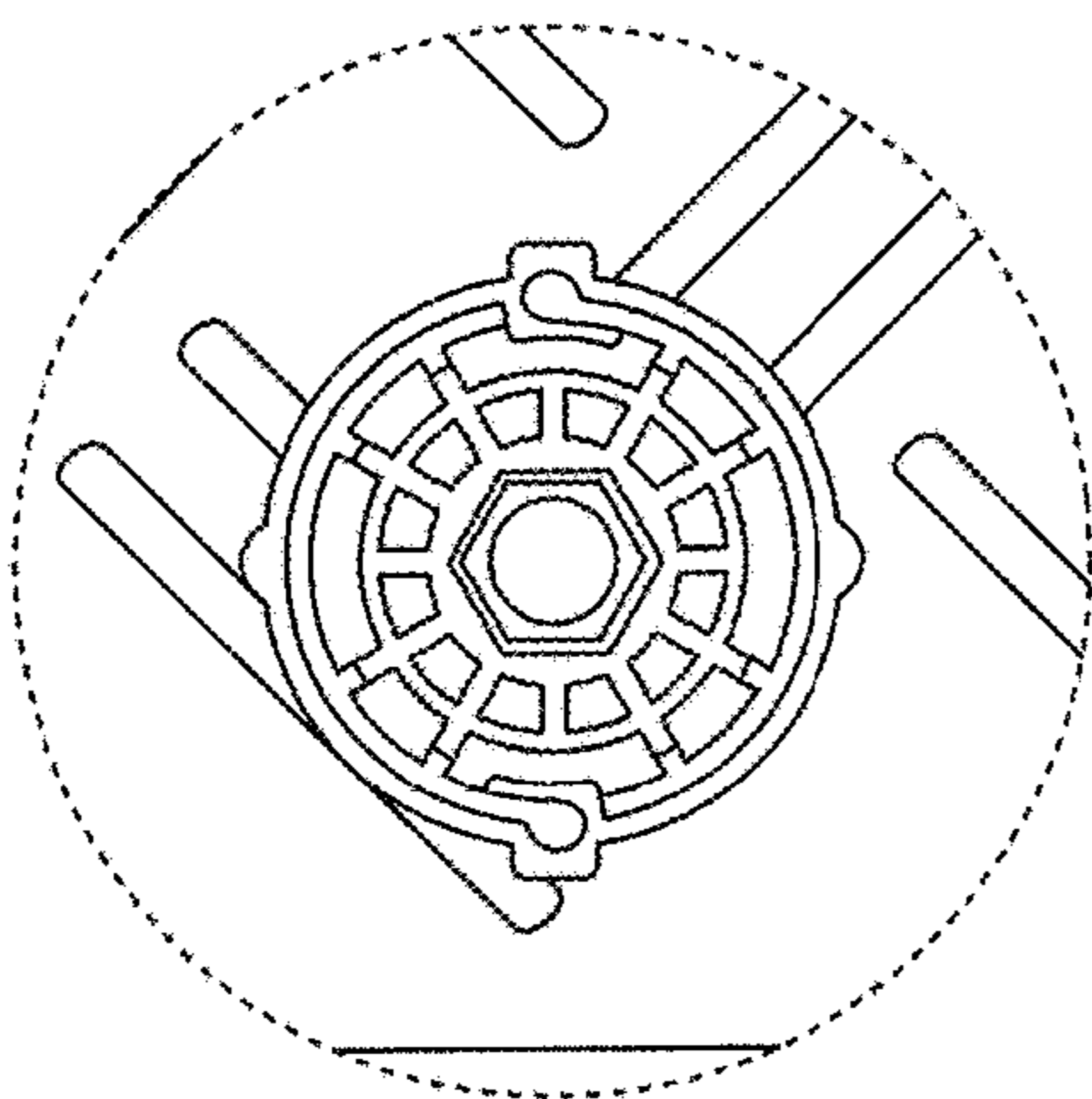


FIG. 22

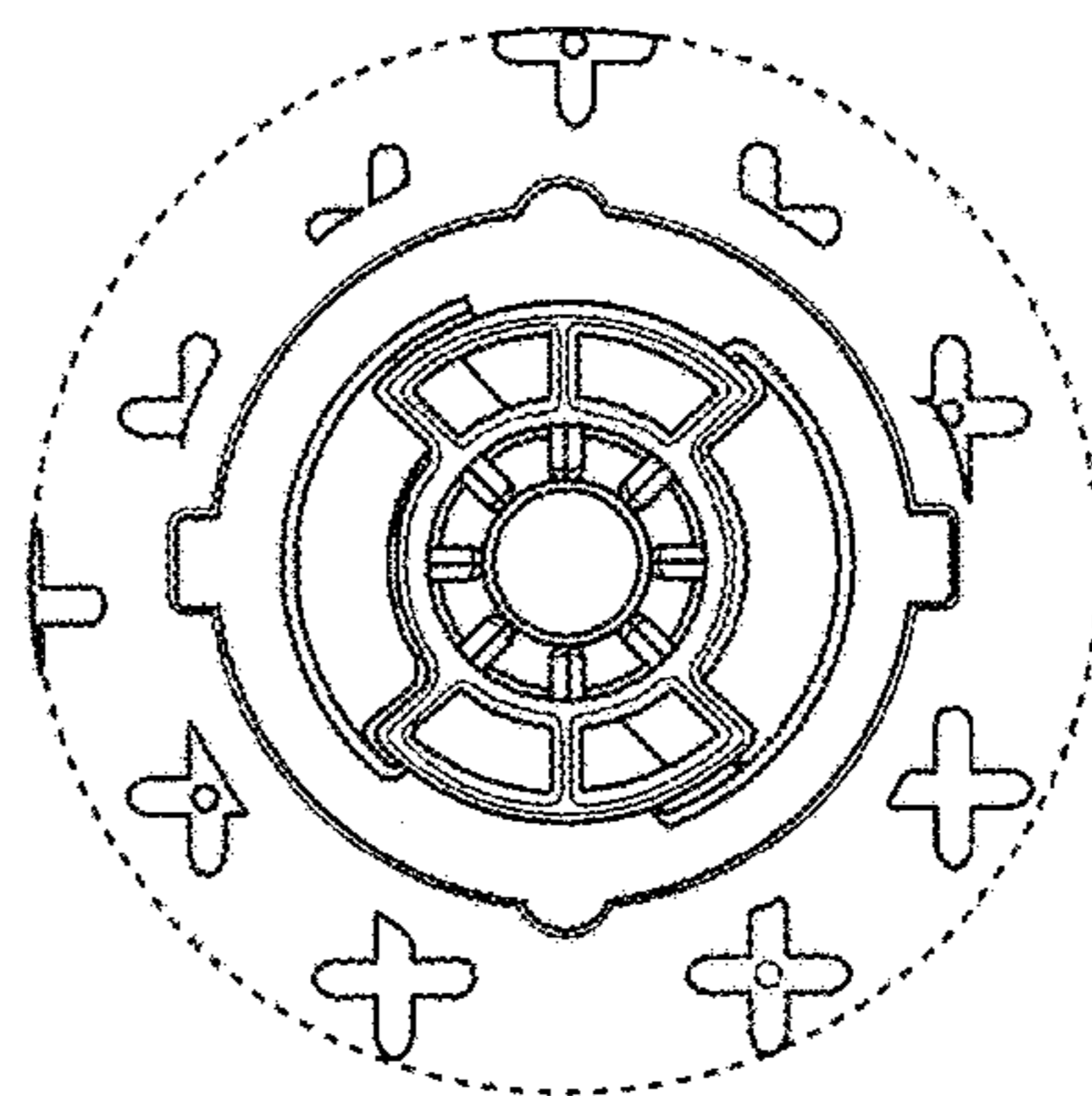


FIG. 23