



US00D832465S

(12) **United States Design Patent**  
**Hilliaho**

(10) **Patent No.:** **US D832,465 S**  
(45) **Date of Patent:** **\*\* Oct. 30, 2018**

(54) **BUILDING ROOF COMPONENT**  
(71) Applicant: **Esa Hilliaho**, Valkeala (FI)  
(72) Inventor: **Esa Hilliaho**, Valkeala (FI)  
(73) Assignee: **LUMON INVEST OY**, Kouvola (FI)

1/347; E06B 1/36; E06B 1/363; E06B 1/366; E06B 1/38; E06B 1/40; E06B 1/52; E06B 1/522; E06B 1/524; E06B 1/526; E06B 1/528; E06B 1/56; E06B 1/60; E06B 1/6092; E06B 1/62; E06B 1/70; E06B 1/702; E06B 1/705; E06B 1/707

(\*\*) Term: **15 Years**

See application file for complete search history.

(21) Appl. No.: **29/597,158**

(56) **References Cited**

(22) Filed: **Mar. 14, 2017**

U.S. PATENT DOCUMENTS

(30) **Foreign Application Priority Data**

Sep. 14, 2016 (WO) ..... DM/092619

2,105,106 A \* 1/1938 Giese ..... E04C 3/22  
D25/123  
3,009,549 A \* 11/1961 Miller ..... E04C 3/06  
D25/121

(51) **LOC (11) Cl.** ..... **25-01**

(Continued)

(52) **U.S. Cl.**  
USPC ..... **D25/119**

*Primary Examiner* — Cynthia Ramirez

*Assistant Examiner* — L. Martinez-Rivera

(58) **Field of Classification Search**

USPC ..... D25/35, 61, 119–137, 164, 199; D8/354, D8/373, 374, 376, 377, 380–382; D6/702, 709, 709.2, 709.21, 712

(74) *Attorney, Agent, or Firm* — Klauber & Jackson LLC

CPC ... E04C 3/00; E04C 3/005; E04C 3/02; E04C 3/04; E04C 3/12; E04C 3/20; E04C 3/28; E04C 3/30; E04F 19/02; E04F 19/022; E04F 19/026; E04F 19/028; E04F 19/04; E04F 19/0436; E04F 19/0481; E04F 19/0486; E04F 19/06; E04F 19/061; E04B 2001/2436; E04B 2001/2439; E04B 2001/2442; E04B 2001/2445; E04B 2001/2448; E04B 2001/2451; E04B 2001/2454; E04B 2001/2457; E04B 2001/246; E04B 2001/2463; E04B 2/00; E04B 2/74; E04B 2/76; E04B 2/761; E04B 2/762; E04B 2/763; E04B 2/764; E04B 2/765; E04B 2/7854; E04B 2/7863; E04B 2/7872; E04B 2/7881; E04B 2/789; E06B 1/00; E06B 1/006; E06B 1/02; E06B 1/04; E06B 1/045; E06B 1/06; E06B 1/12; E06B 1/16; E06B 1/26; E06B 1/30; E06B 1/32; E06B 1/325; E06B 1/34; E06B 1/342; E06B 1/345; E06B

(57) **CLAIM**

The ornamental design for a building roof component, as shown and described.

**DESCRIPTION**

FIG. 1 is a top, front and right side perspective view of a building roof component of my new design;

FIG. 2 is a bottom, front and right side perspective view thereof;

FIG. 3 is a front view thereof;

FIG. 4 is a rear view thereof;

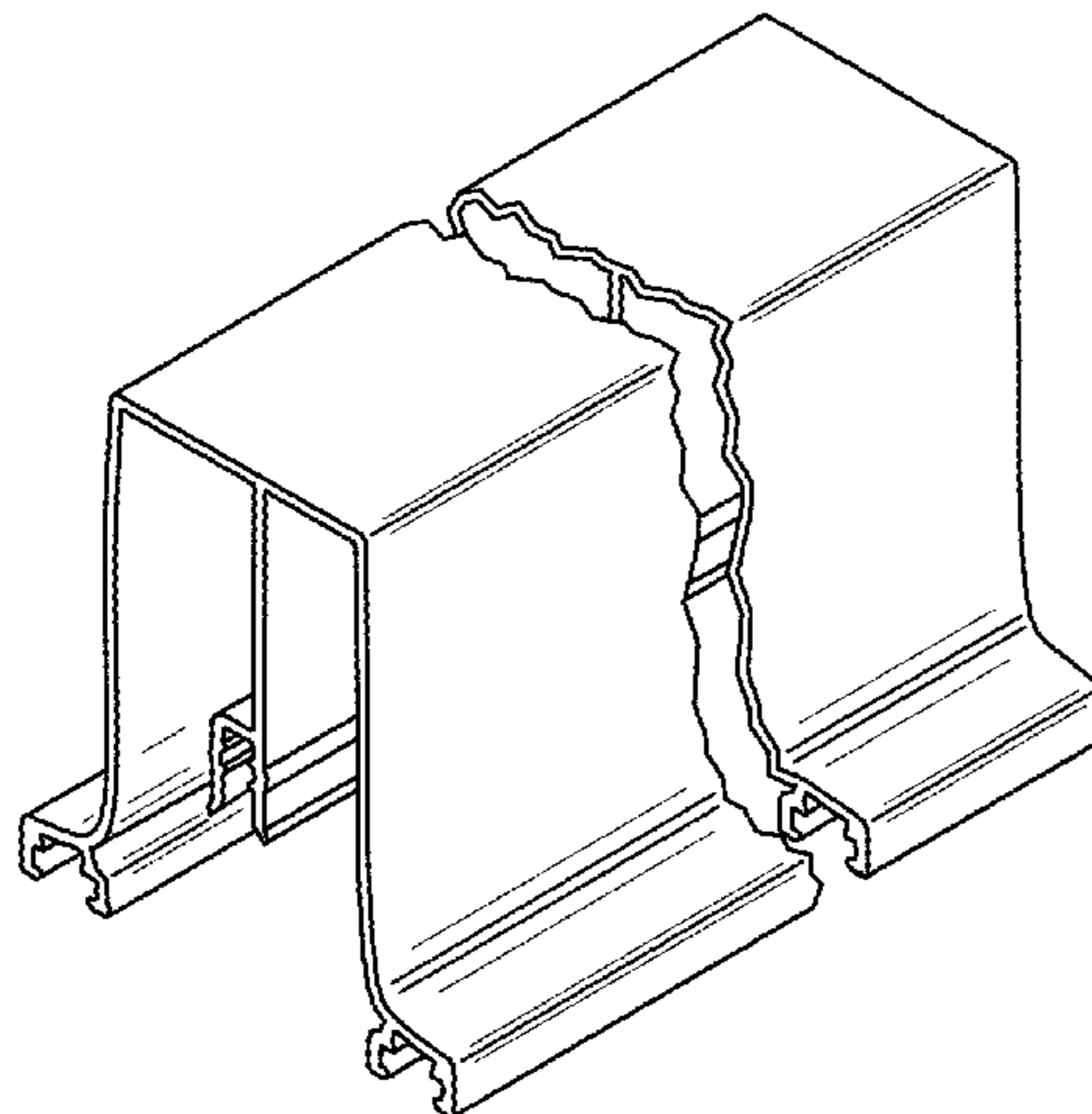
FIG. 5 is a right side view, the left side view being the mirror image thereof;

FIG. 6 is a top thereof; and,

FIG. 7 is a bottom view thereof.

The building roof component in FIGS. 1-4, 6 and 7 is shown with a symbolic break in its length. The appearance of any portion of the building roof component between the jagged break lines forms no part of the claimed design.

**1 Claim, 4 Drawing Sheets**



(56)

**References Cited**

U.S. PATENT DOCUMENTS

3,043,408 A \* 7/1962 Attwood ..... E04C 3/07  
D25/121  
D296,075 S \* 6/1988 Jones ..... D8/373  
D513,171 S \* 12/2005 Richardson ..... D8/354  
D560,000 S \* 1/2008 Hernandez ..... D25/61  
D611,887 S \* 3/2010 Peschmann ..... D8/354  
D711,021 S \* 8/2014 Singh ..... D25/119  
D742,543 S \* 11/2015 Singh ..... D25/119  
D769,656 S \* 10/2016 Sontheimer ..... D6/702  
2002/0020137 A1 \* 2/2002 Commins ..... E04C 3/12  
52/712  
2002/0026764 A1 \* 3/2002 Sachs ..... E04C 3/20  
52/834  
2003/0084629 A1 \* 5/2003 Strickland ..... E04C 3/20  
52/289  
2011/0271614 A1 \* 11/2011 Brady ..... E06B 3/9642  
52/210  
2014/0115983 A1 \* 5/2014 An ..... E06B 1/52  
52/210

\* cited by examiner

FIG. 1

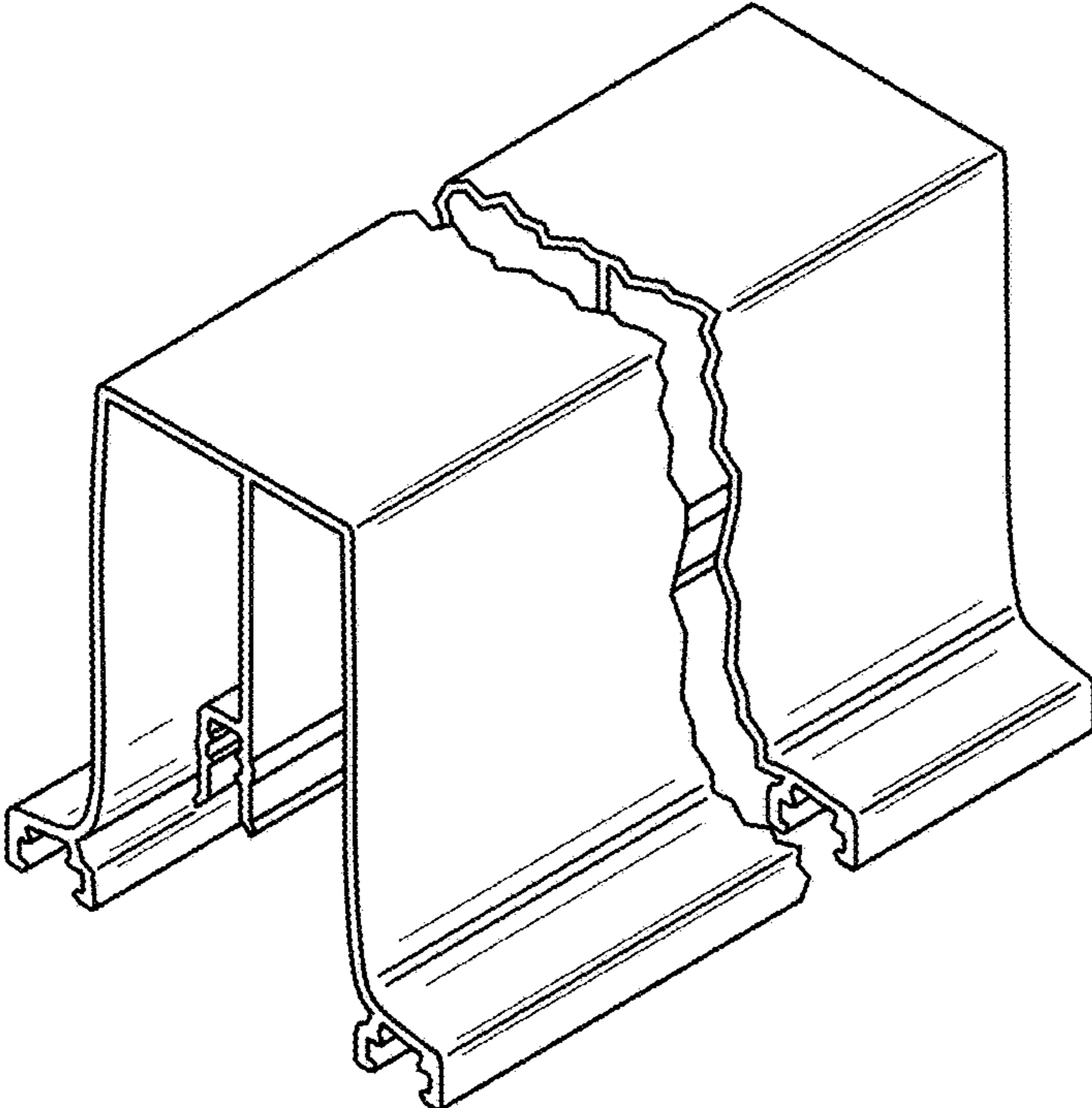


FIG. 2

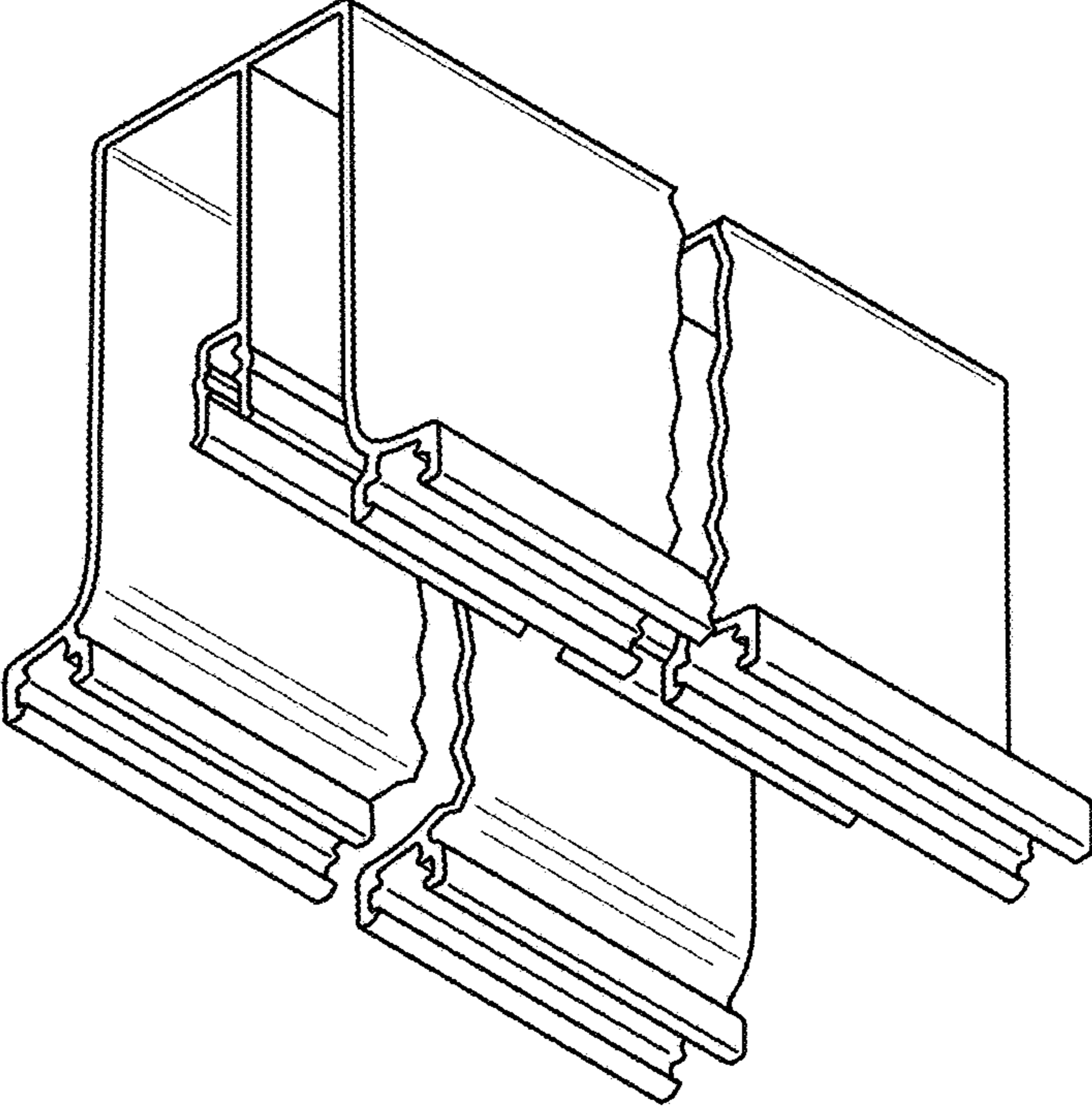


FIG. 3

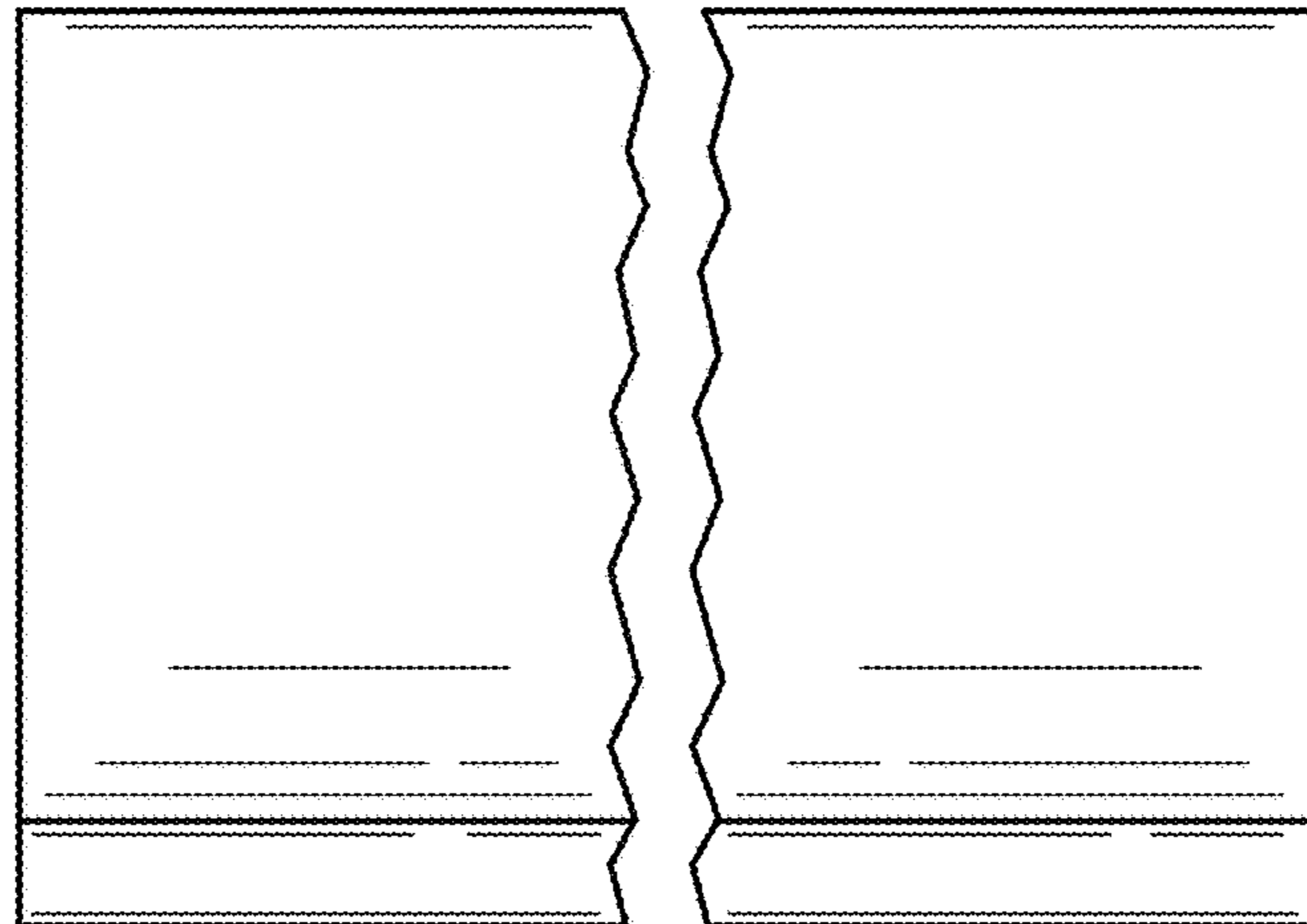


FIG. 4

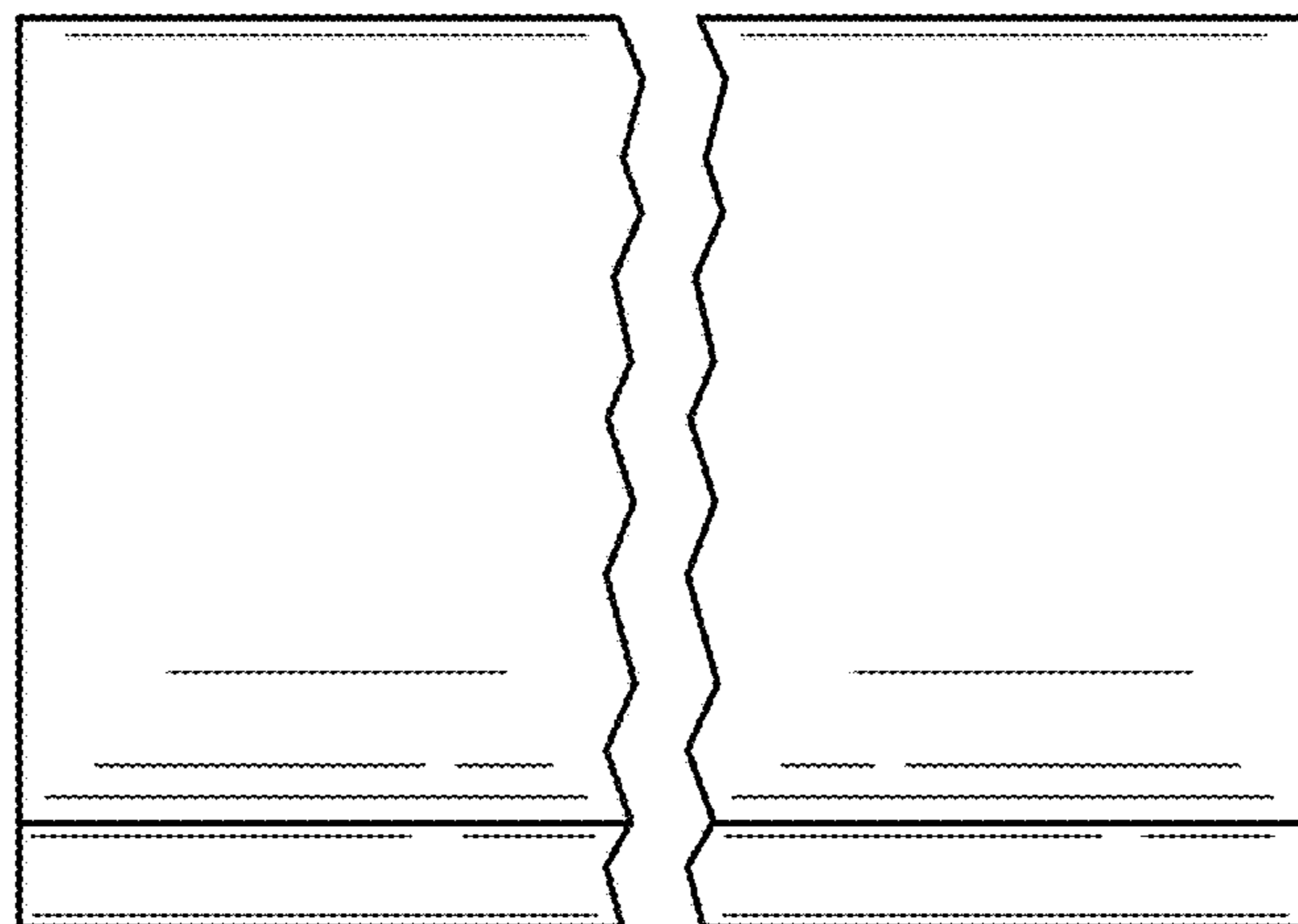


FIG. 5

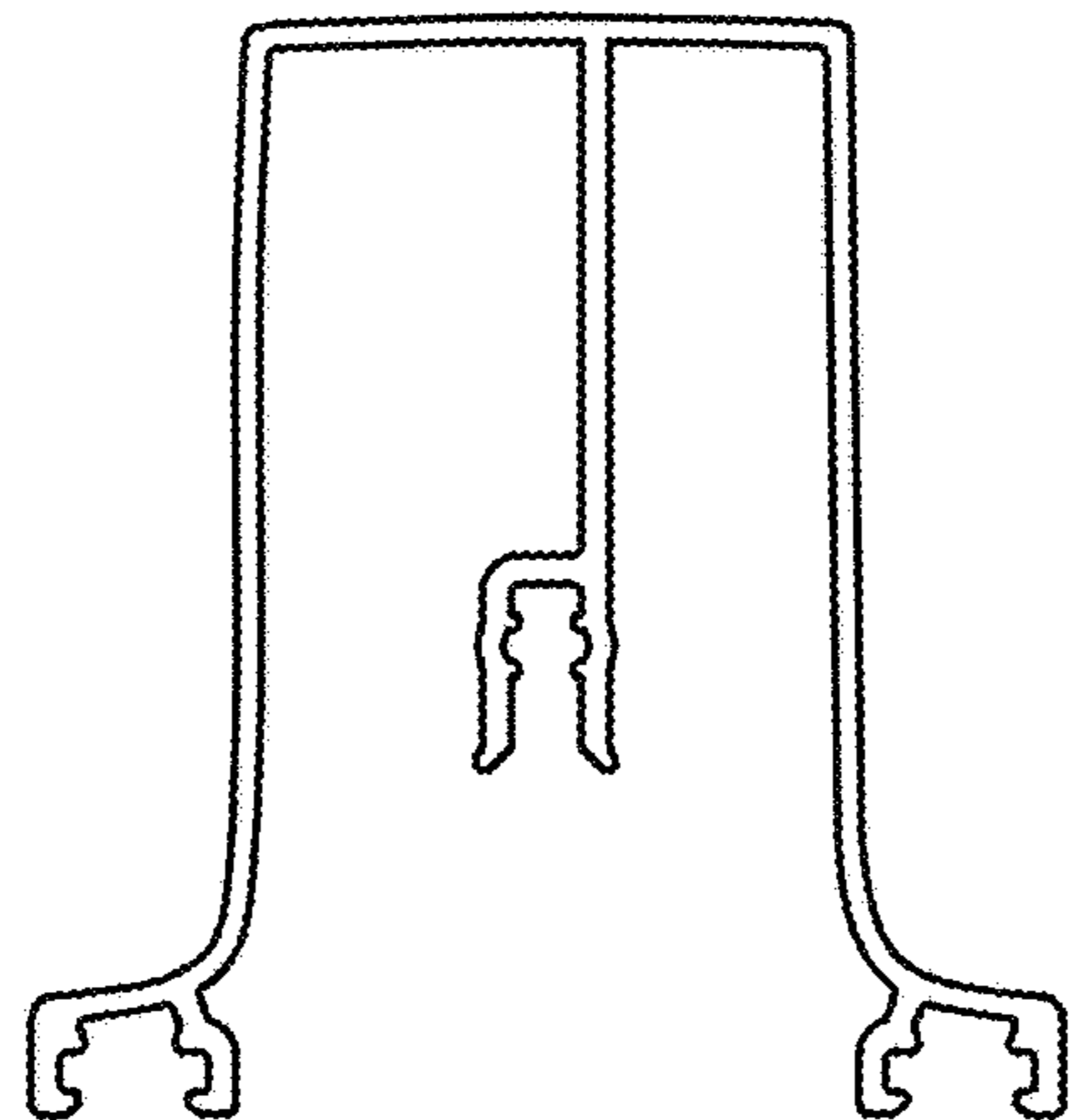


FIG. 6

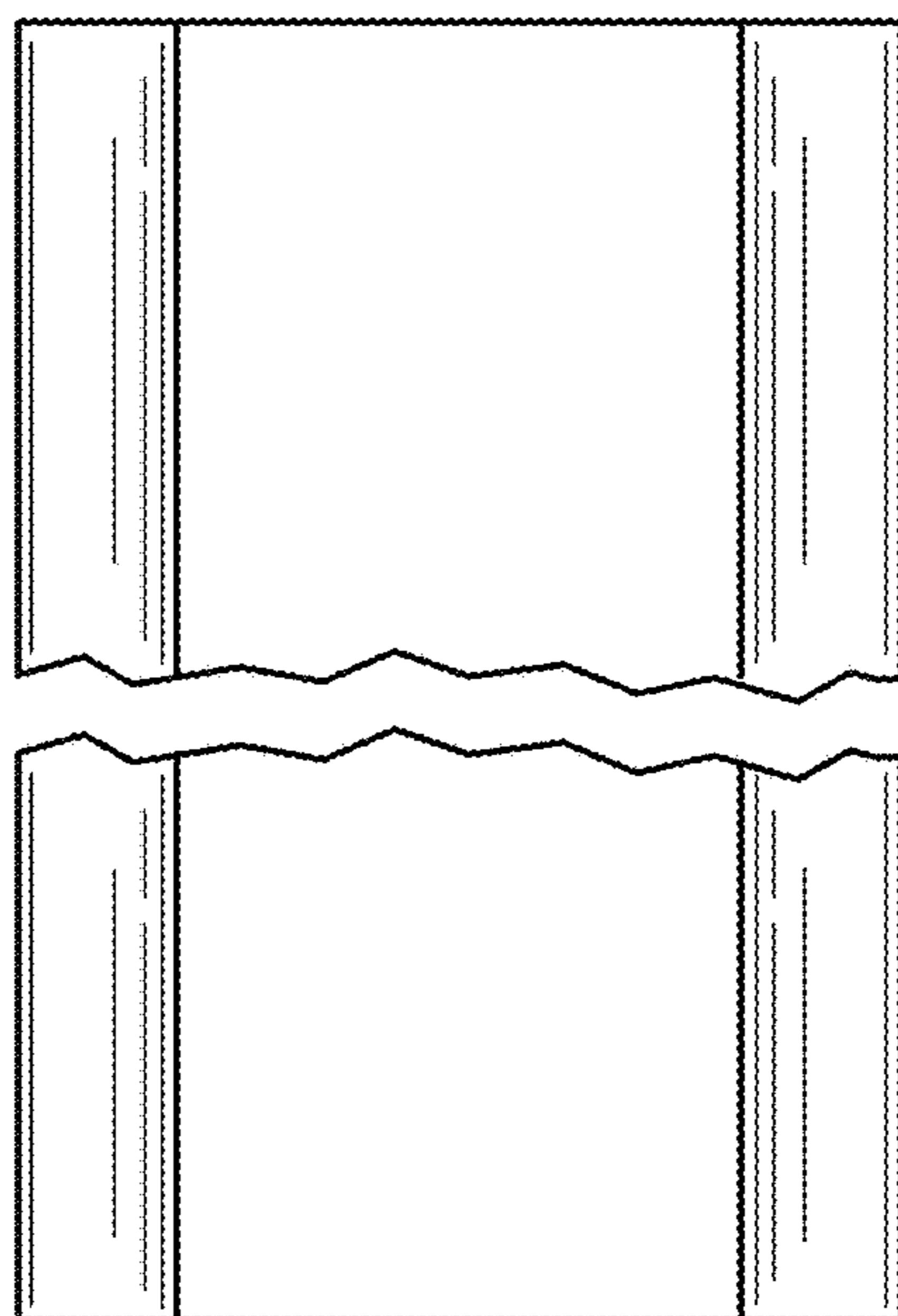


FIG. 7

