



US00D832461S

(12) **United States Design Patent** (10) **Patent No.:** **US D832,461 S**
Ashley, Jr. (45) **Date of Patent:** **** Oct. 30, 2018**

(54) **SET OF WHEELS FOR A LADDER TREE STAND**

5,433,291 A 7/1995 Shoestock, Sr.
D367,122 S * 2/1996 Foster D25/62
5,492,196 A 2/1996 Michno
D372,986 S * 8/1996 Oerther D25/62
D391,734 S 3/1998 Melgey
5,839,538 A 11/1998 Magyar
D431,081 S 9/2000 Johansson
6,283,496 B1 9/2001 Dickmann

(71) Applicant: **Clark Ashley, Jr.**, Columbia Station, OH (US)

(72) Inventor: **Clark Ashley, Jr.**, Columbia Station, OH (US)

(**) Term: **15 Years**

Primary Examiner — Cynthia Ramirez
Assistant Examiner — Gino Colan
(74) *Attorney, Agent, or Firm* — Suzanne Kikel, Patent Agent

(21) Appl. No.: **29/620,816**

(22) Filed: **Jun. 20, 2017**

(51) **LOC (11) Cl.** **25-04**

(52) **U.S. Cl.**
USPC **D25/68**

(58) **Field of Classification Search**
USPC D25/62–65, 68, 69; 182/20, 187, 116, 182/16; 114/344
CPC E06C 7/48; E06C 7/14; E06C 7/46; E06C 1/397; E06C 7/188; E06C 7/00; E06C 7/182
See application file for complete search history.

(56) **References Cited**

U.S. PATENT DOCUMENTS

937,388 A 10/1909 Smith
3,282,375 A 11/1966 Ray
3,630,314 A 12/1971 Bamberg
4,113,055 A 9/1978 Gleockler et al.
D274,945 S 7/1984 Fitch
5,016,732 A 5/1991 Dunn
5,064,020 A 11/1991 Eagleson
5,195,611 A * 3/1993 Untz E06C 1/382
182/116
5,253,732 A 10/1993 Daniels
5,282,520 A 1/1994 Walker
5,295,556 A 3/1994 Mullin
5,314,042 A 5/1994 Adams
D359,133 S * 6/1995 Dull D25/62

(57) **CLAIM**

The ornamental design for a set of wheels for a ladder tree stand, as shown and described.

DESCRIPTION

FIG. 1 is a perspective view of of a set of wheels for a ladder tree stand attached to the ladder tree stand, showing my new design.

FIG. 2 is an exploded, enlarged perspective view of one wheel of FIG. 1 for a ladder tree stand prior to its attachment to a leg of the ladder tree stand, the second wheel being identical thereto.

FIG. 3 is a perspective view of the wheel of FIG. 2 attached to a leg of the ladder tree stand.

FIG. 4 is a left side elevational view of the wheel of FIG. 3.

FIG. 5 is a right side elevational view thereof.

FIG. 6 is a front elevational view thereof.

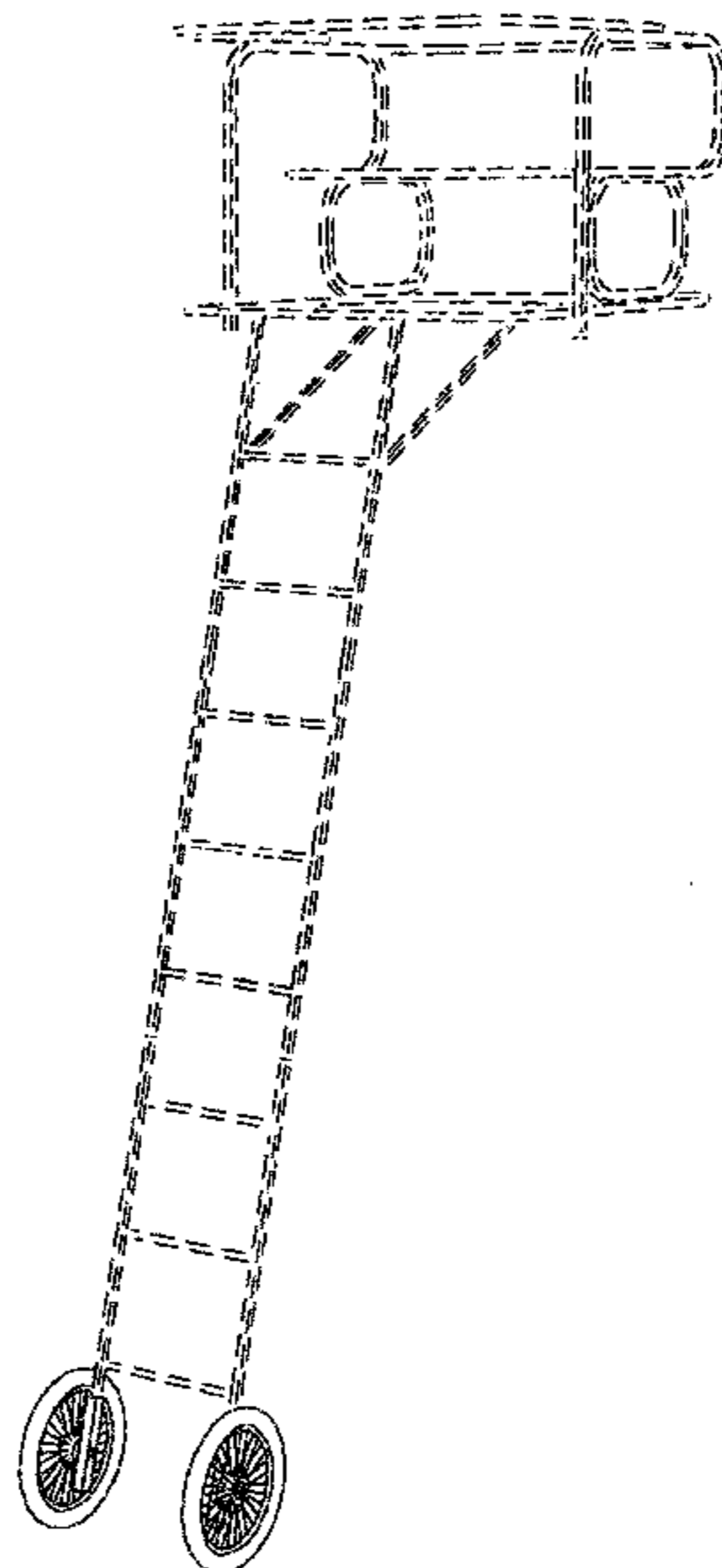
FIG. 7 is a rear elevation view thereof.

FIG. 8 is a top plan view thereof; and,

FIG. 9 is a bottom plan view thereof.

The broken lines showing of a ladder tree stand in the figures depicts environmental subject matter and forms no part of the claimed design. In FIGS. 2 through 9, only one wheel is shown for convenience of illustration.

1 Claim, 7 Drawing Sheets



(56)

References Cited

U.S. PATENT DOCUMENTS

6,446,570	B1 *	9/2002	Johnson	B63C 13/00
				114/344
D471,288	S	3/2003	Felk	
8,122,998	B2	2/2012	Liles	
9,237,982	B2	1/2016	Van Brunt	
9,265,244	B2	2/2016	Vandergraff	
9,732,557	B2 *	8/2017	Landers	E06C 1/397
2002/0036116	A1 *	3/2002	Hess	A01M 31/02
				182/20
2010/0013182	A1	1/2010	Kergosien et al.	
2012/0299258	A1	11/2012	Gallagher et al.	
2015/0204139	A1	7/2015	Landers	

* cited by examiner

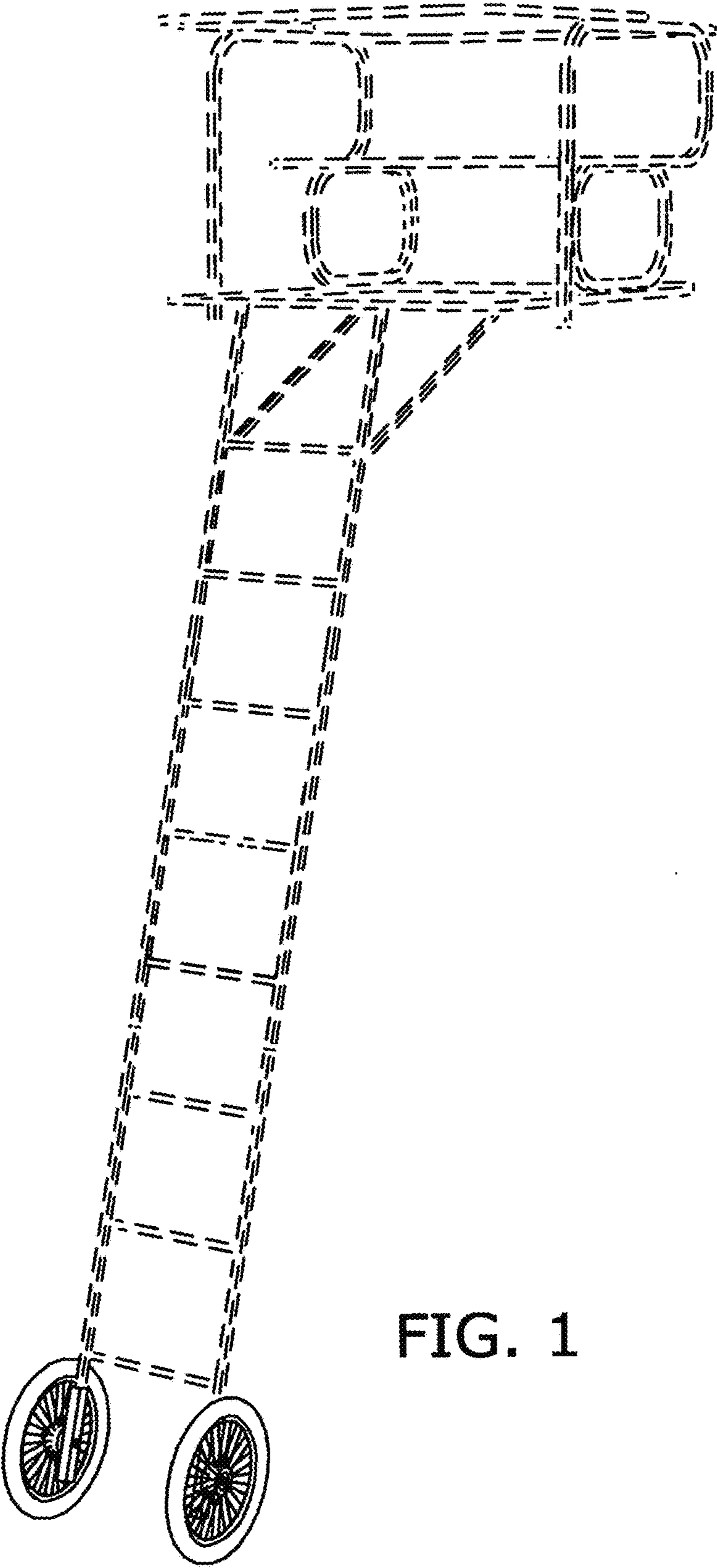


FIG. 1

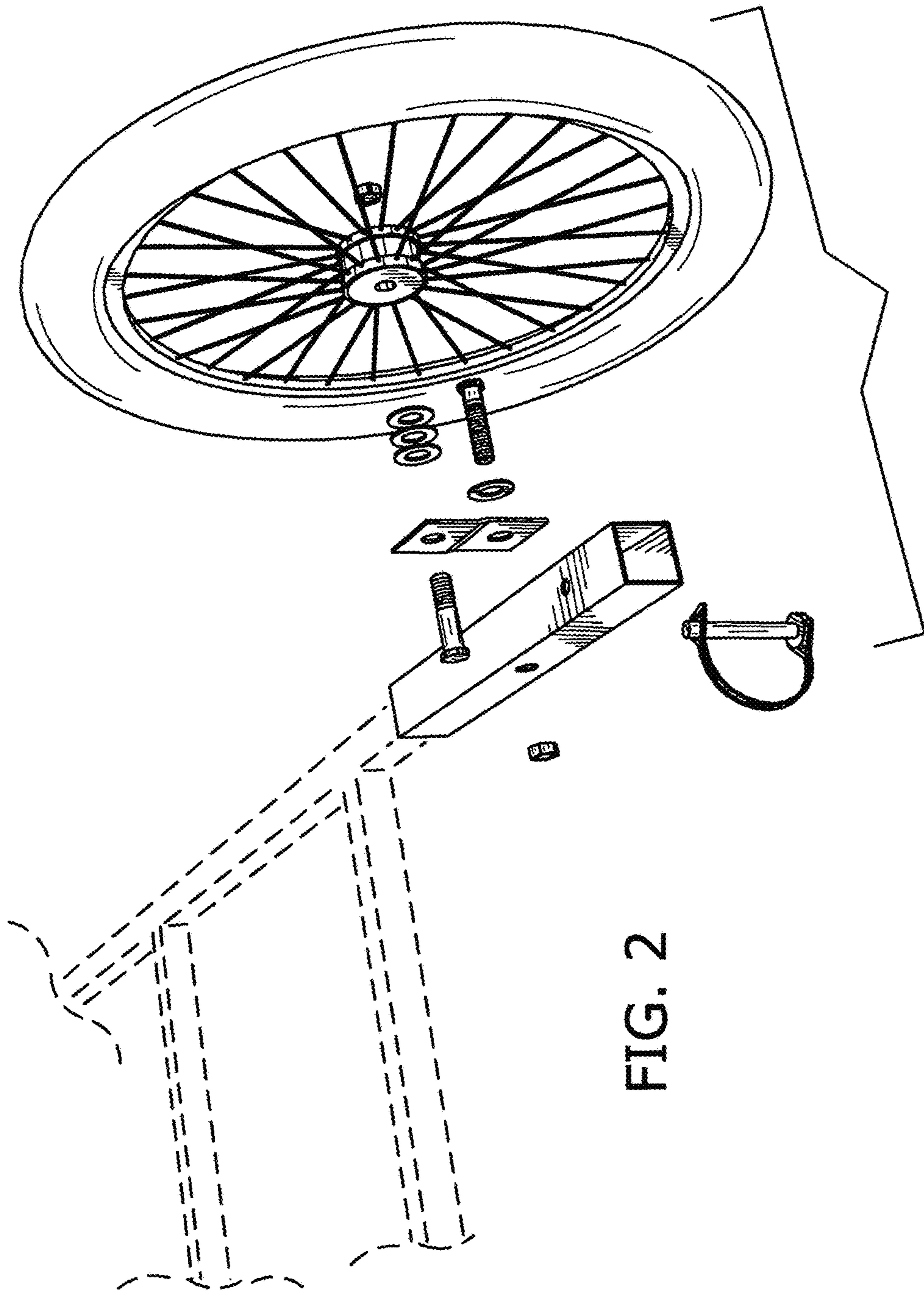


FIG. 2

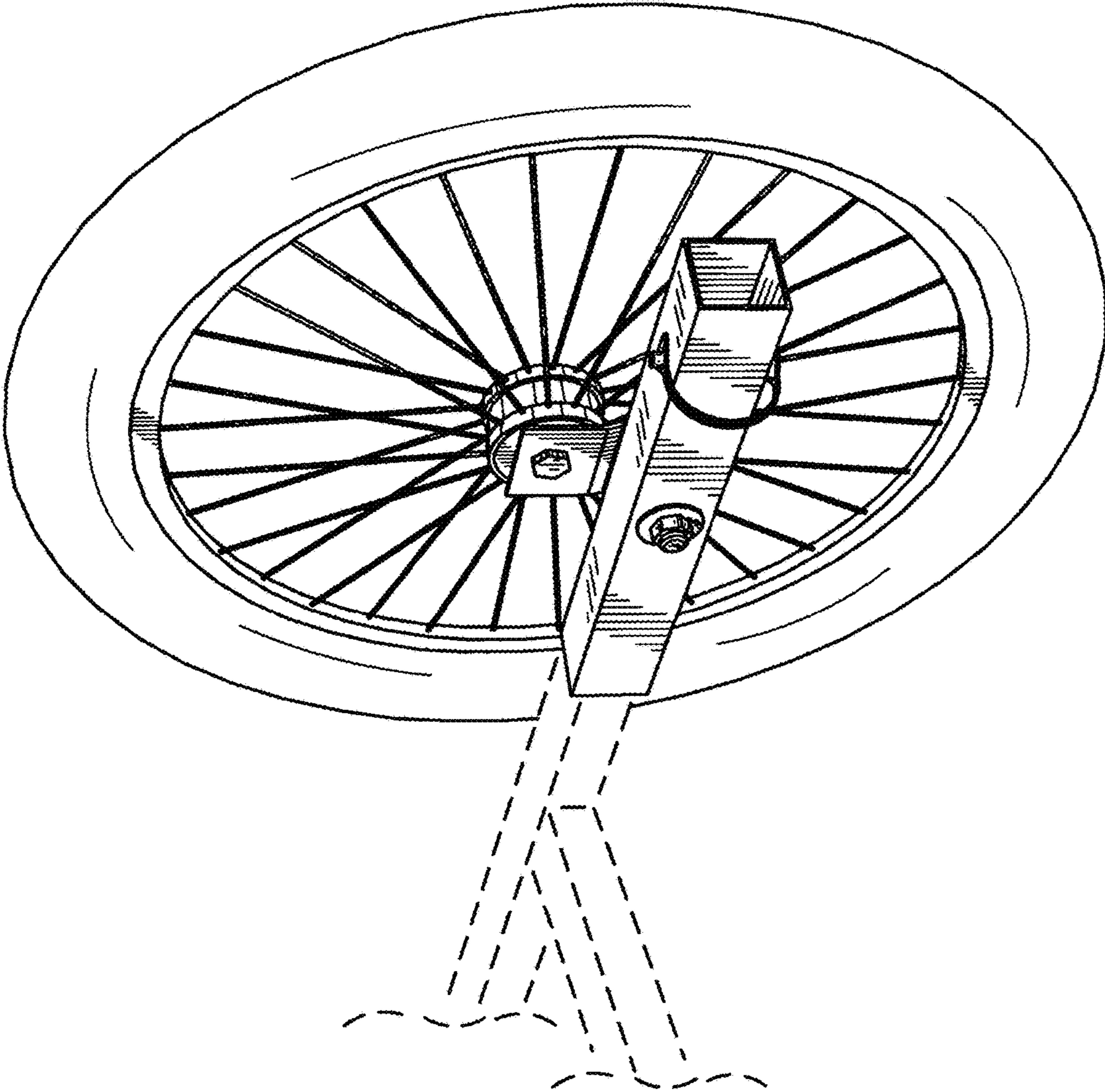


FIG. 3

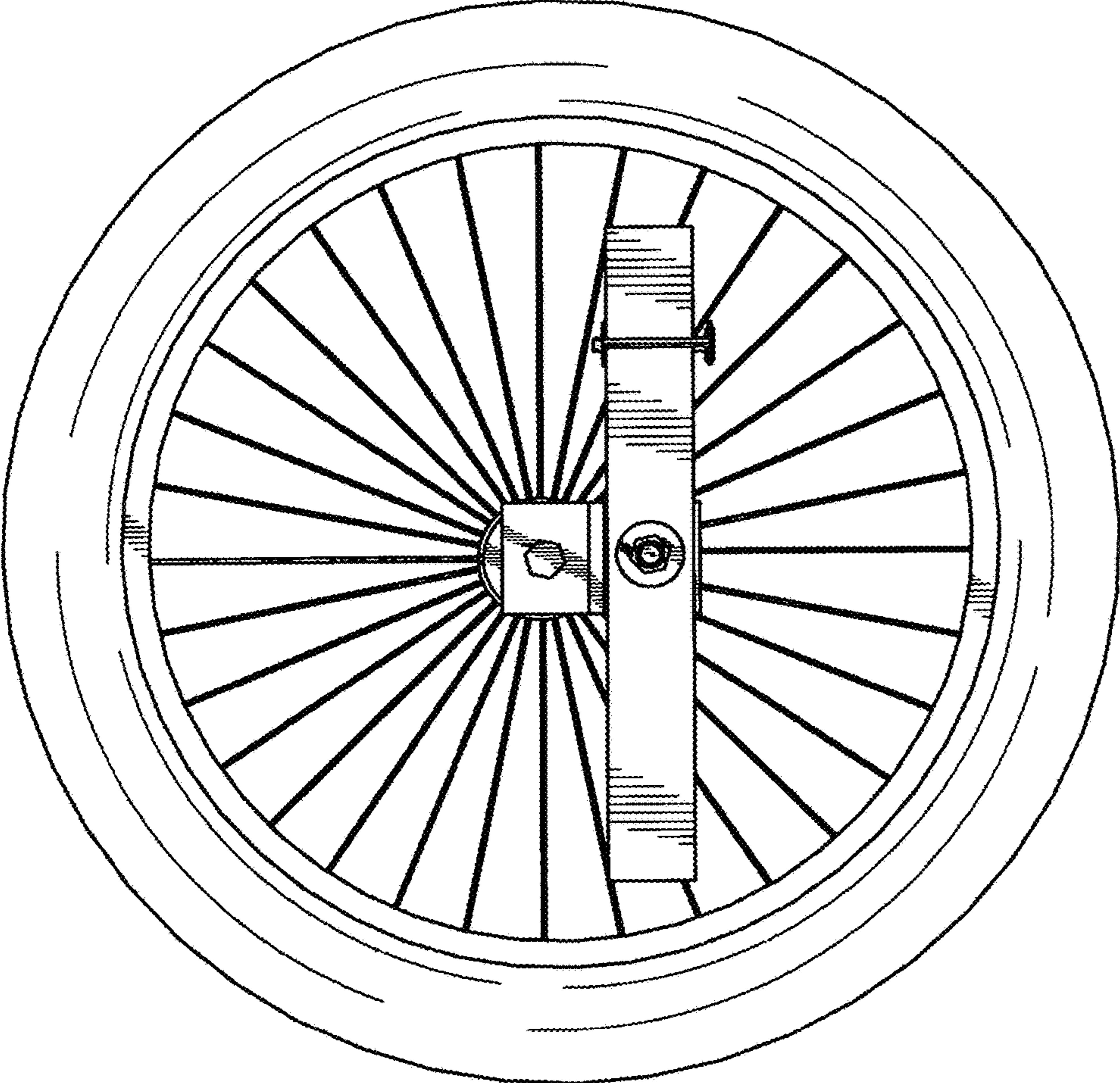


FIG. 4

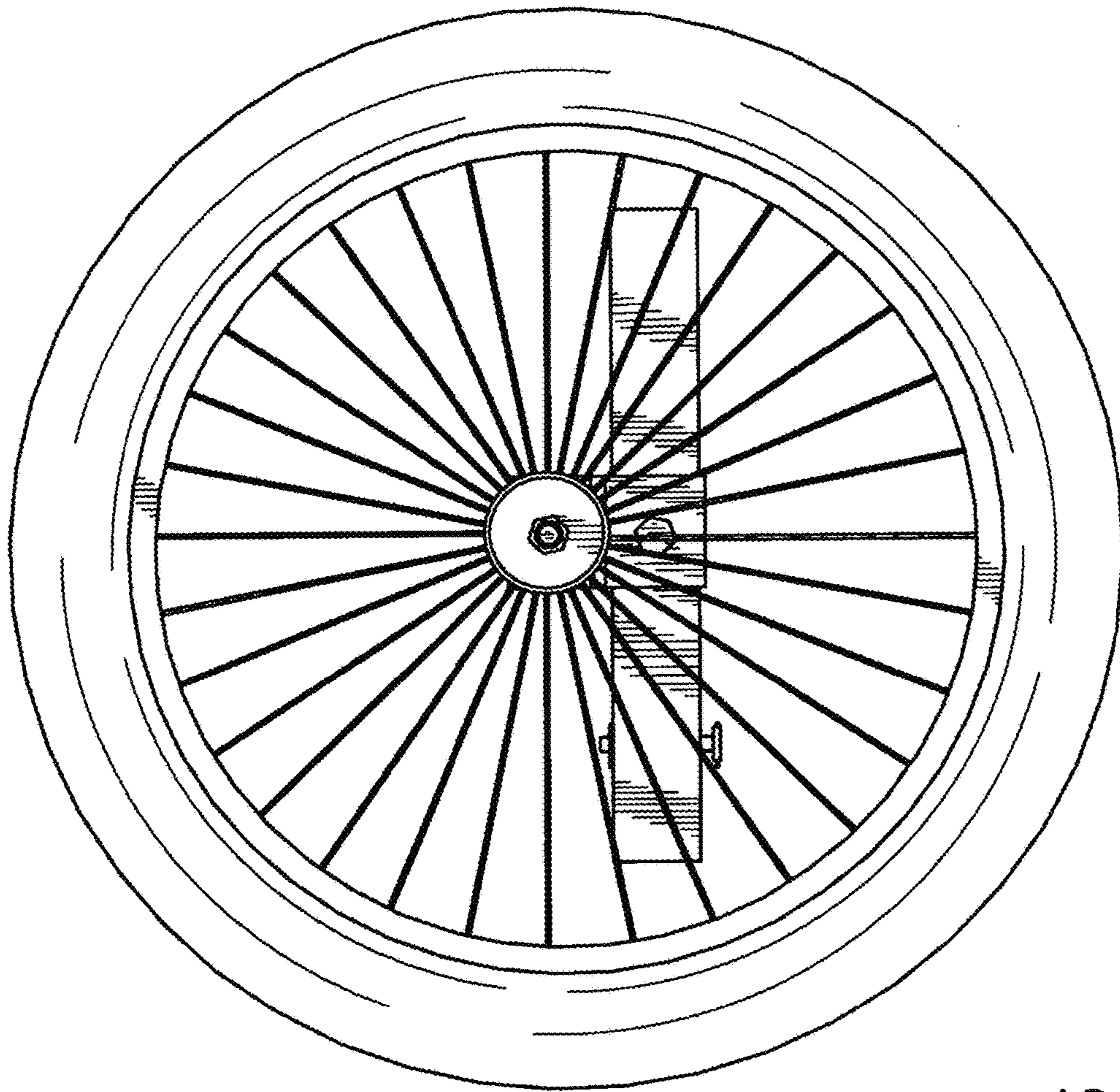


FIG. 5

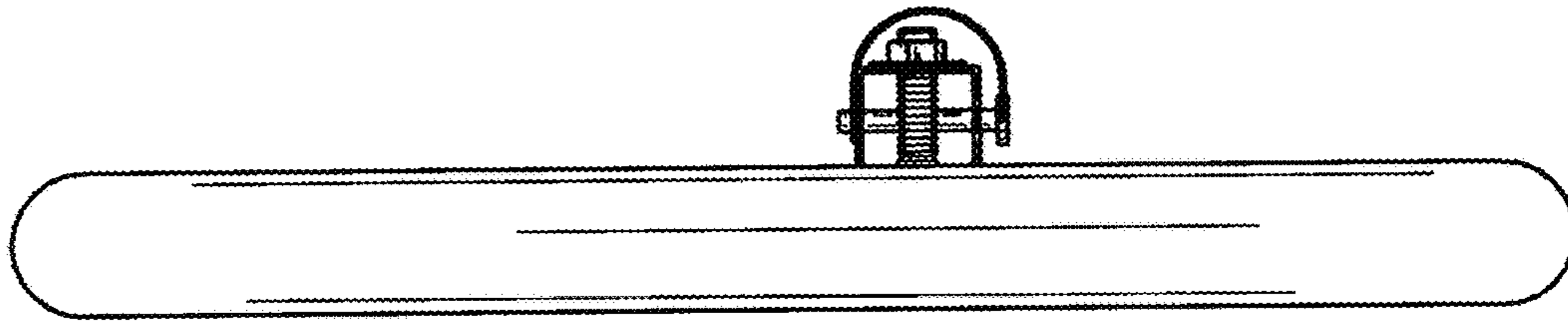


FIG. 7

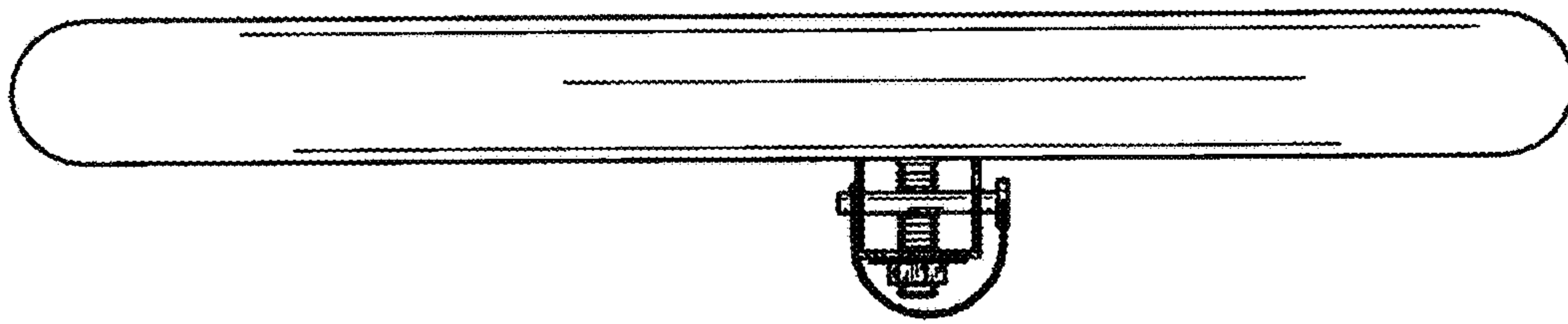


FIG. 6

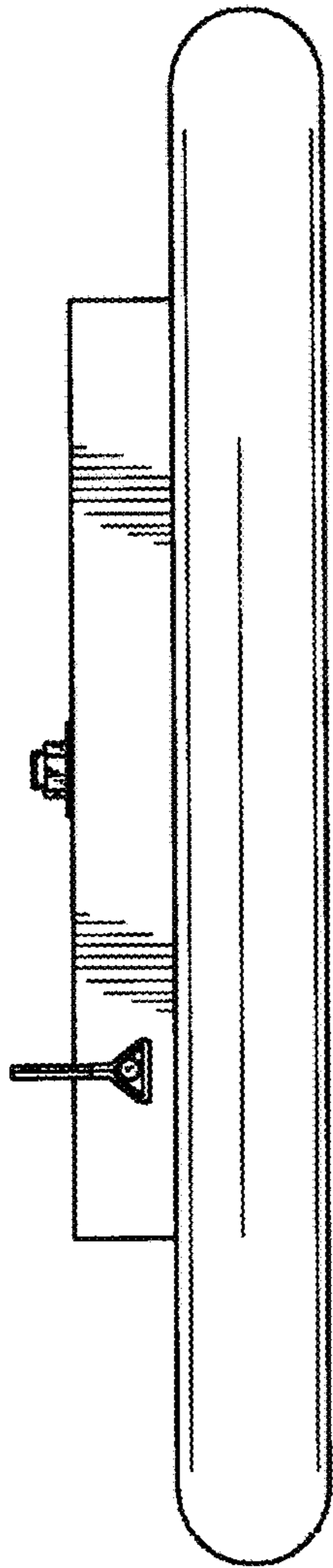


FIG. 8

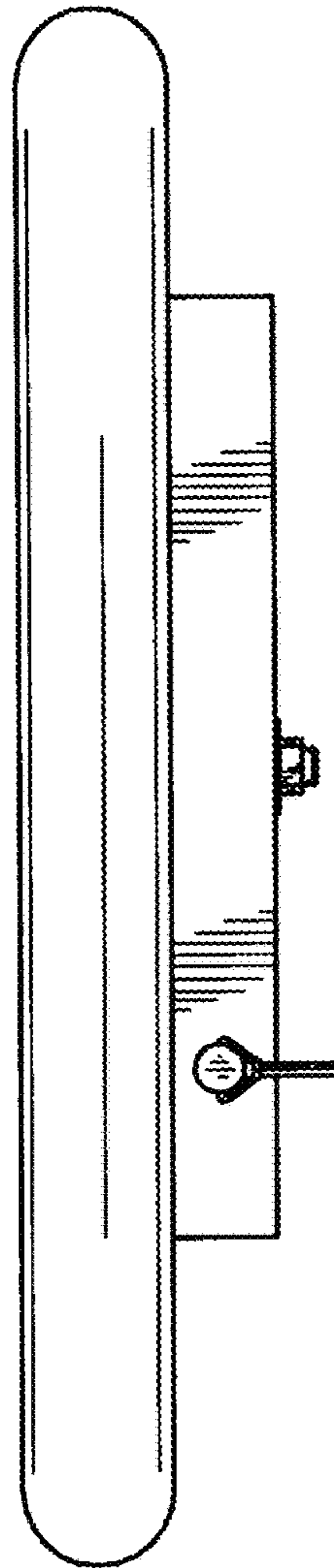


FIG. 9