



US00D832459S

(12) **United States Design Patent** (10) **Patent No.:** **US D832,459 S**  
**Whiteside et al.** (45) **Date of Patent:** **\*\* Oct. 30, 2018**

- (54) **PLATFORM FOR WORKING UNDER THE DASHBOARD OF A VEHICLE**
- (71) Applicant: **Whiteside Mfg. Co.**, Delaware, OH (US)
- (72) Inventors: **Kirt E. Whiteside**, Marion, OH (US); **Shane Obitts**, Elyria, OH (US); **Robert E. Studer**, New Washington, OH (US); **Keith R. Studer**, Shelby, OH (US); **Chad E. Mays**, Delaware, OH (US)
- (73) Assignee: **Whiteside Mfg. Co.**, Delaware, OH (US)
- (\*\*) Term: **15 Years**
- (21) Appl. No.: **29/592,216**
- (22) Filed: **Jan. 27, 2017**
- (51) **LOC (11) Cl.** ..... **25-04**
- (52) **U.S. Cl.**  
USPC ..... **D25/62**
- (58) **Field of Classification Search**  
USPC ..... 182/149, 222, 141, 150, 223, 20, 152, 182/118, 116; 108/50.11, 4, 20, 115, 108/132, 127, 36; D25/66, 62; 280/32.6, 280/30; 248/439; 482/142, 908  
CPC ..... B25H 5/00; A63B 21/4029; A63B 21/078; A47B 2003/008; A47B 3/00  
See application file for complete search history.

(56) **References Cited**

U.S. PATENT DOCUMENTS

- 4,735,392 A \* 4/1988 Farmer ..... B25H 5/00  
248/439
- 4,951,781 A \* 8/1990 Bliss ..... E04G 1/34  
182/152

- 5,746,288 A \* 5/1998 O'Neal ..... E04G 1/34  
182/118
- D536,799 S \* 2/2007 Freitas ..... D25/66
- 8,833,518 B2 \* 9/2014 Holcombe ..... A01M 31/02  
182/116
- 9,242,369 B1 \* 1/2016 Richmond, Jr. .... B25H 5/00
- 2008/0035424 A1 \* 2/2008 Klockler ..... E06C 7/426  
182/116

\* cited by examiner

*Primary Examiner* — Cynthia Ramirez

*Assistant Examiner* — Gino Colan

(74) *Attorney, Agent, or Firm* — Renner, Kenner, Greive, Bobak, Taylor & Weber

(57) **CLAIM**

The ornamental design for a platform for working under the dashboard of a vehicle, as shown and described.

**DESCRIPTION**

FIG. 1 is a top, front, left side perspective view of a platform for working under the dashboard of a vehicle showing our new design;

FIG. 2 is a left side elevational view thereof;

FIG. 3 is a right side elevational view thereof;

FIG. 4 is a rear elevational view thereof;

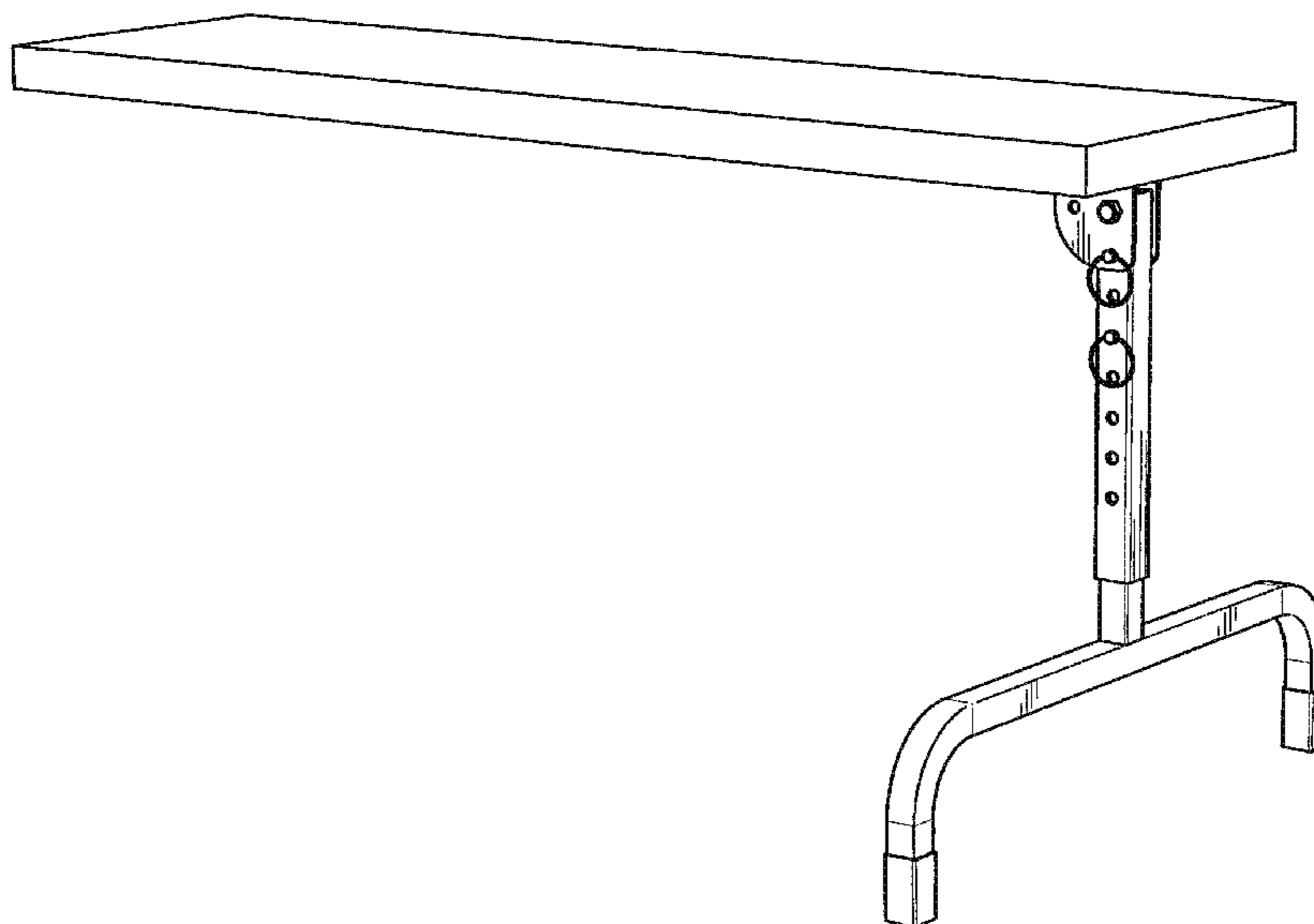
FIG. 5 is a front elevational view thereof;

FIG. 6 is a top plan view thereof; and,

FIG. 7 is a bottom plan view thereof.

The broken lines shown in the figures are included for the purpose of illustrating portions of the platform for working under the dashboard of a vehicle and form no part of the claimed design.

**1 Claim, 7 Drawing Sheets**



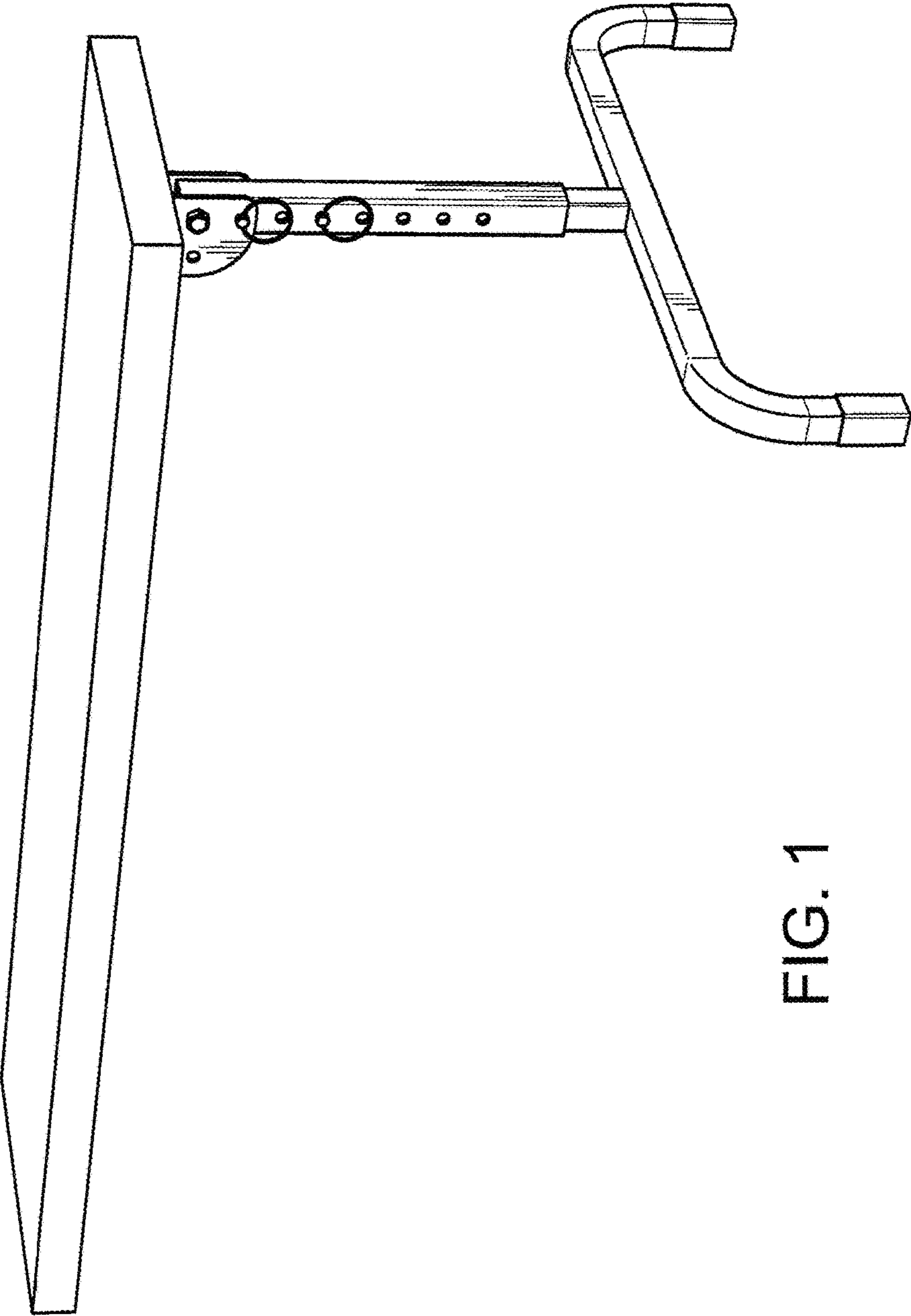


FIG. 1

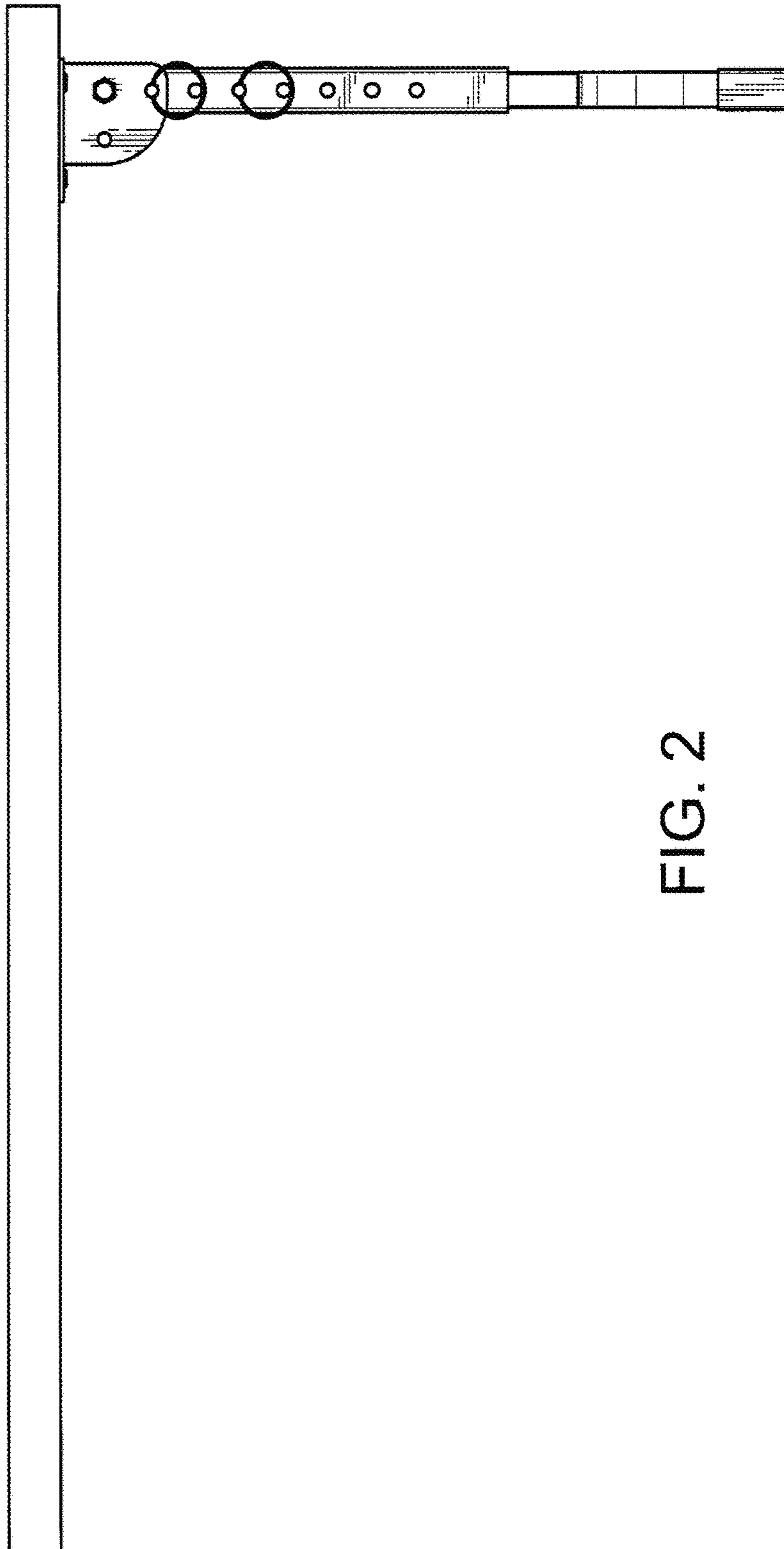


FIG. 2

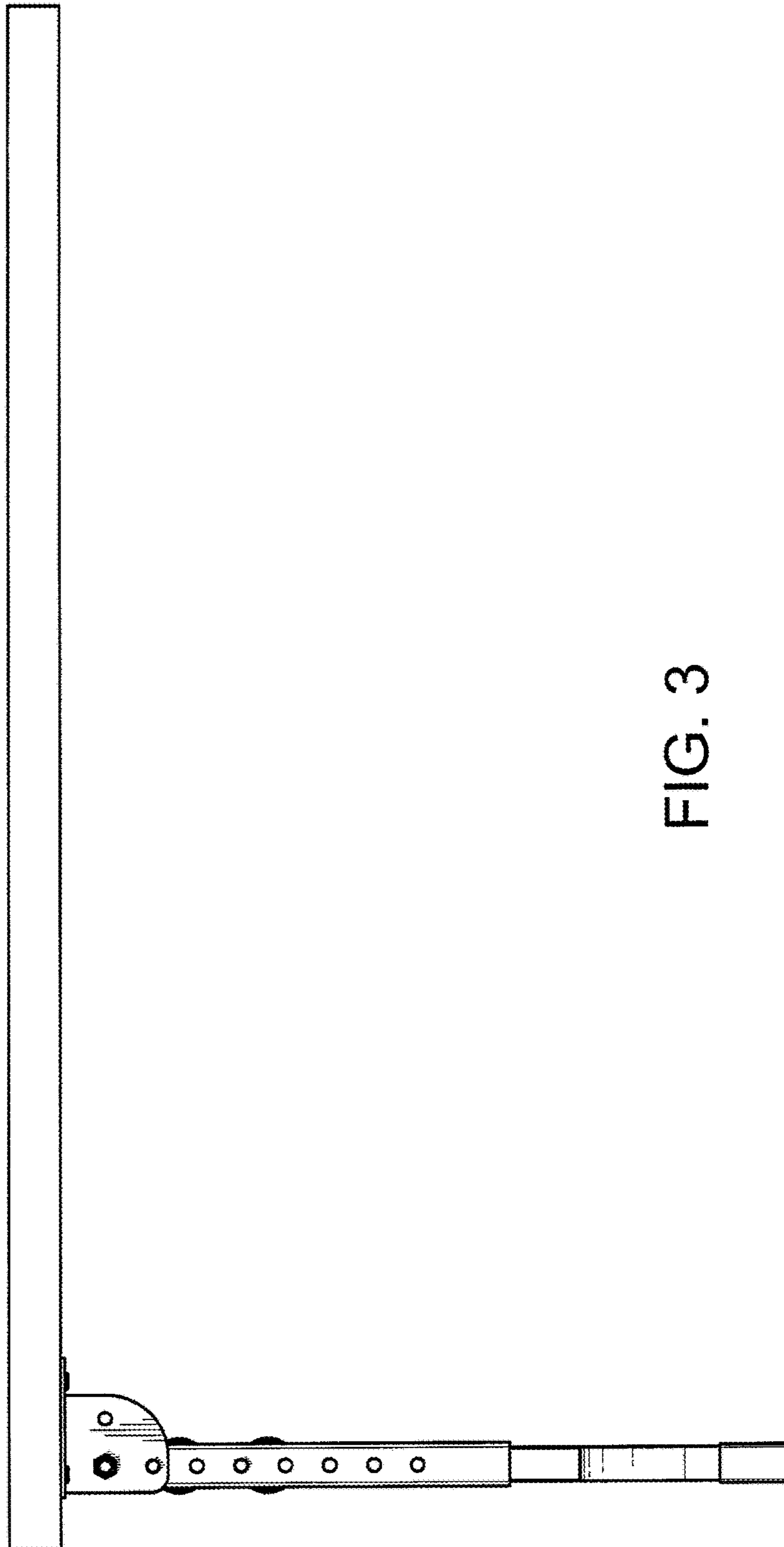


FIG. 3

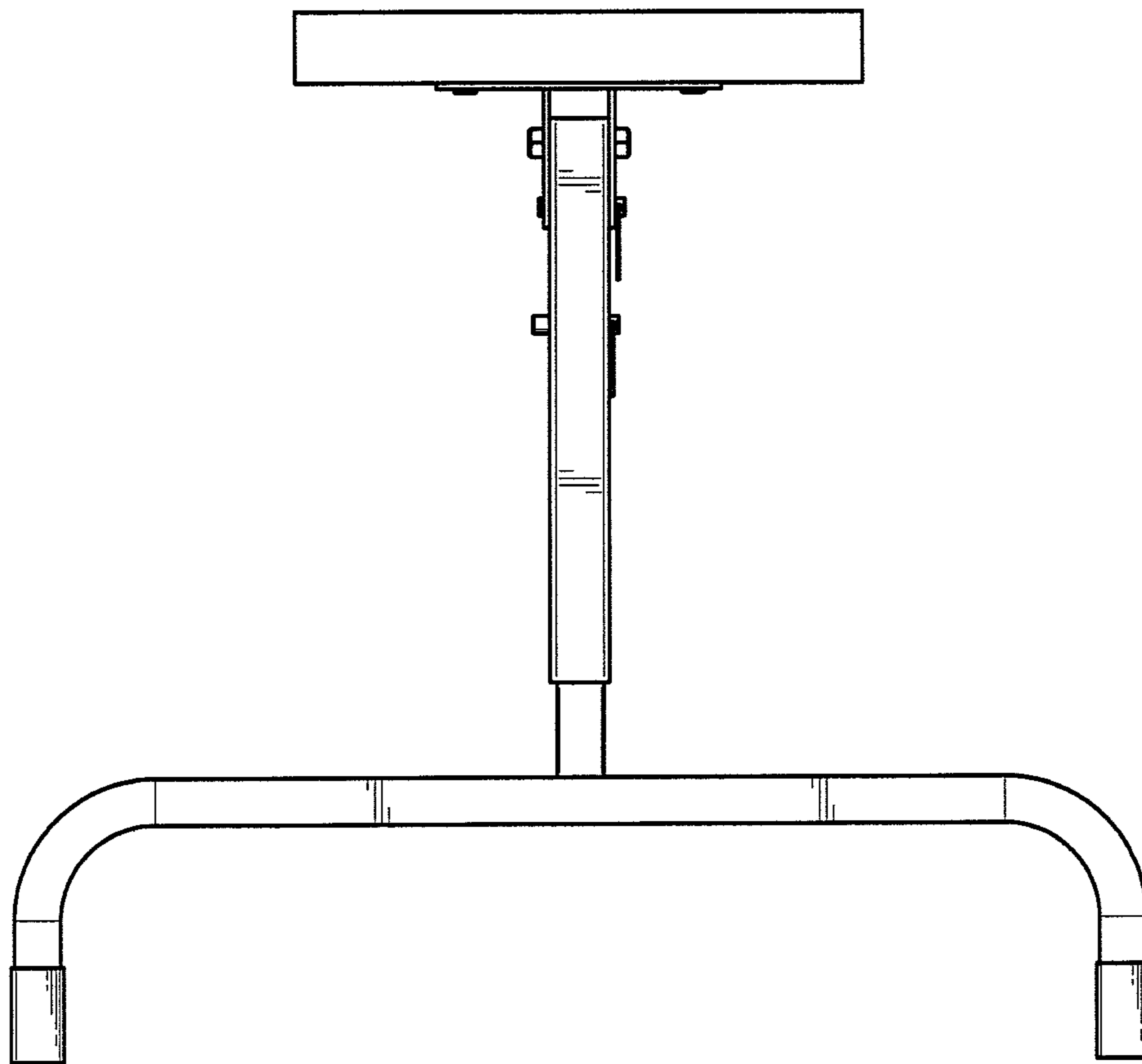


FIG. 4

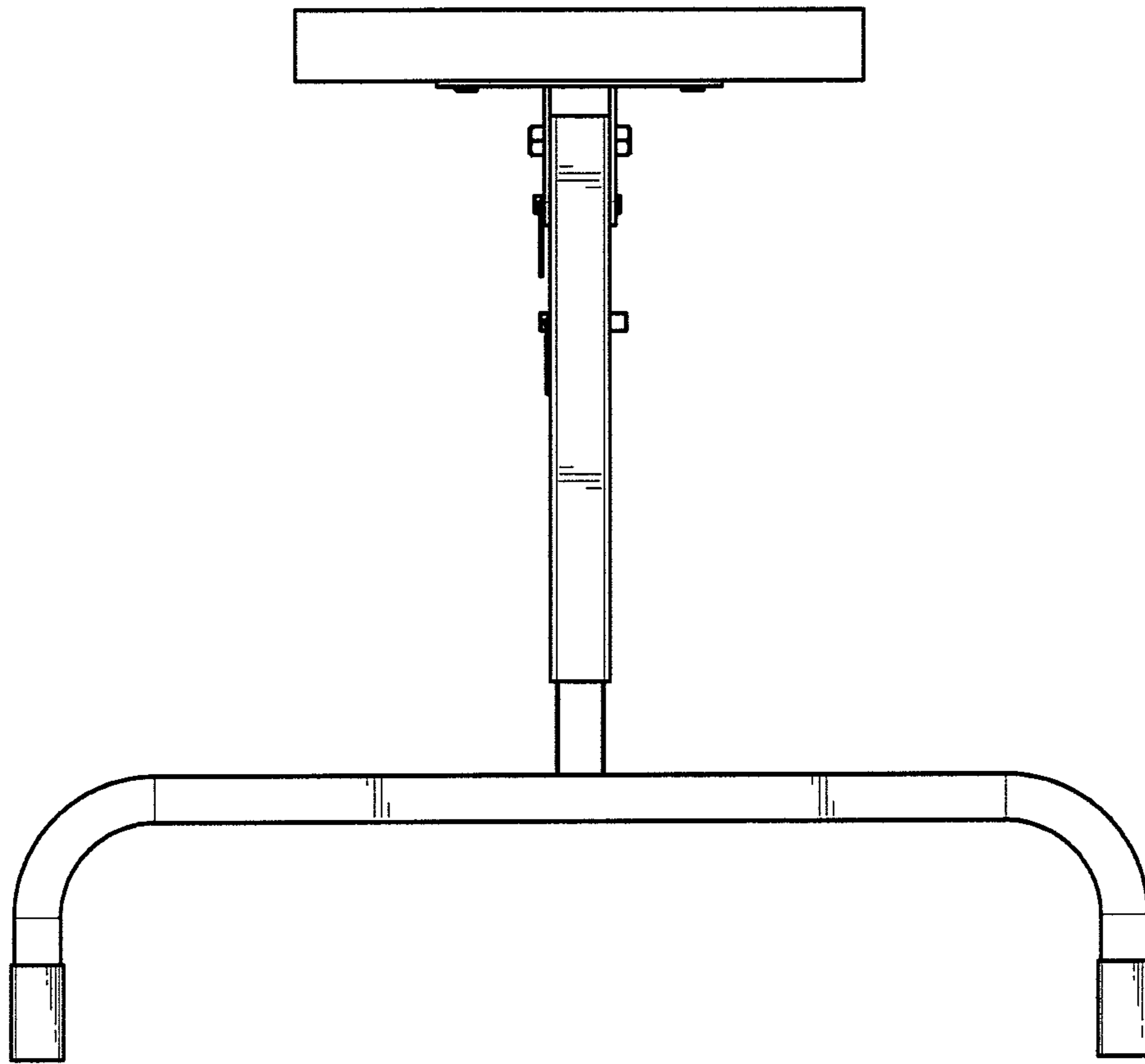


FIG. 5

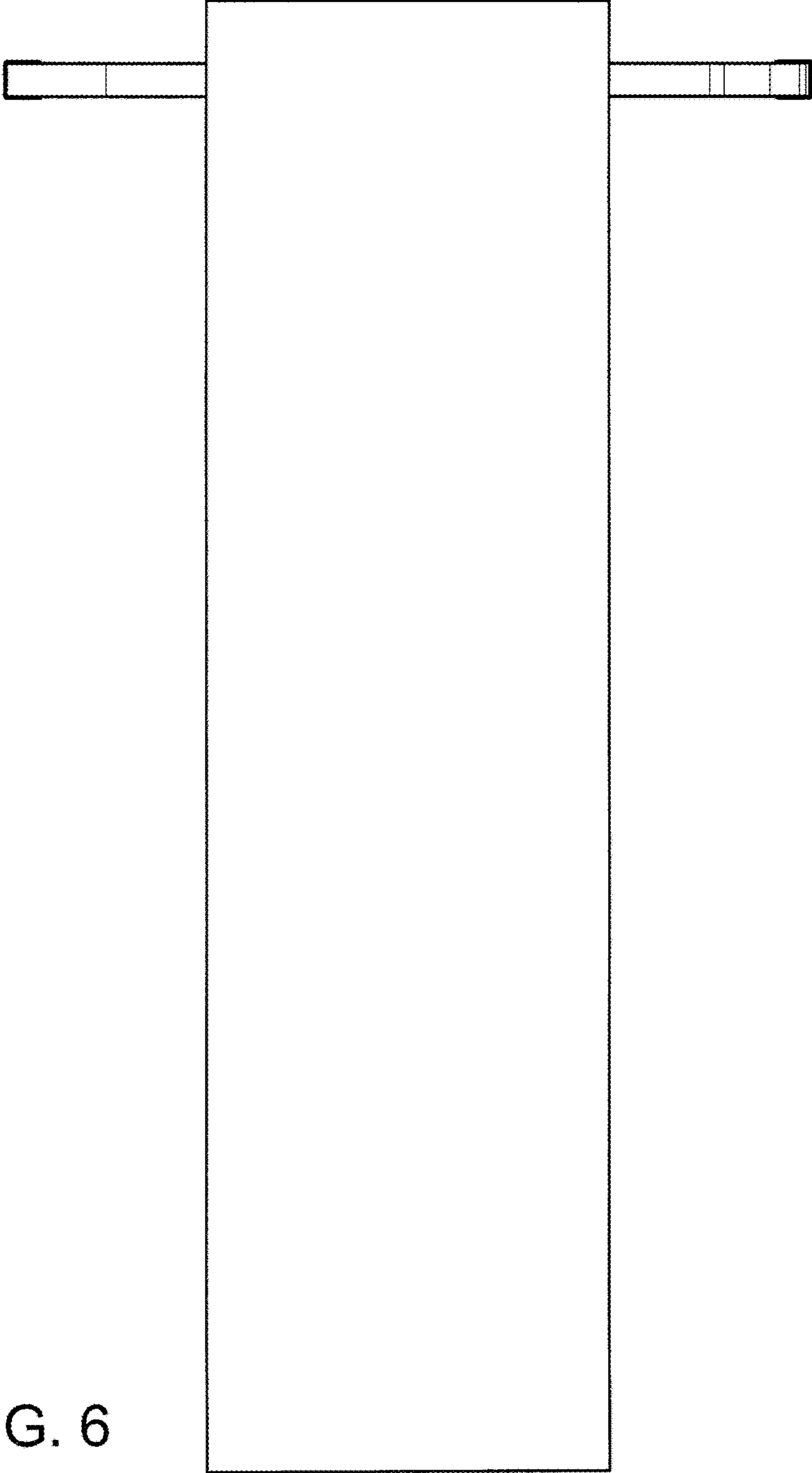


FIG. 6

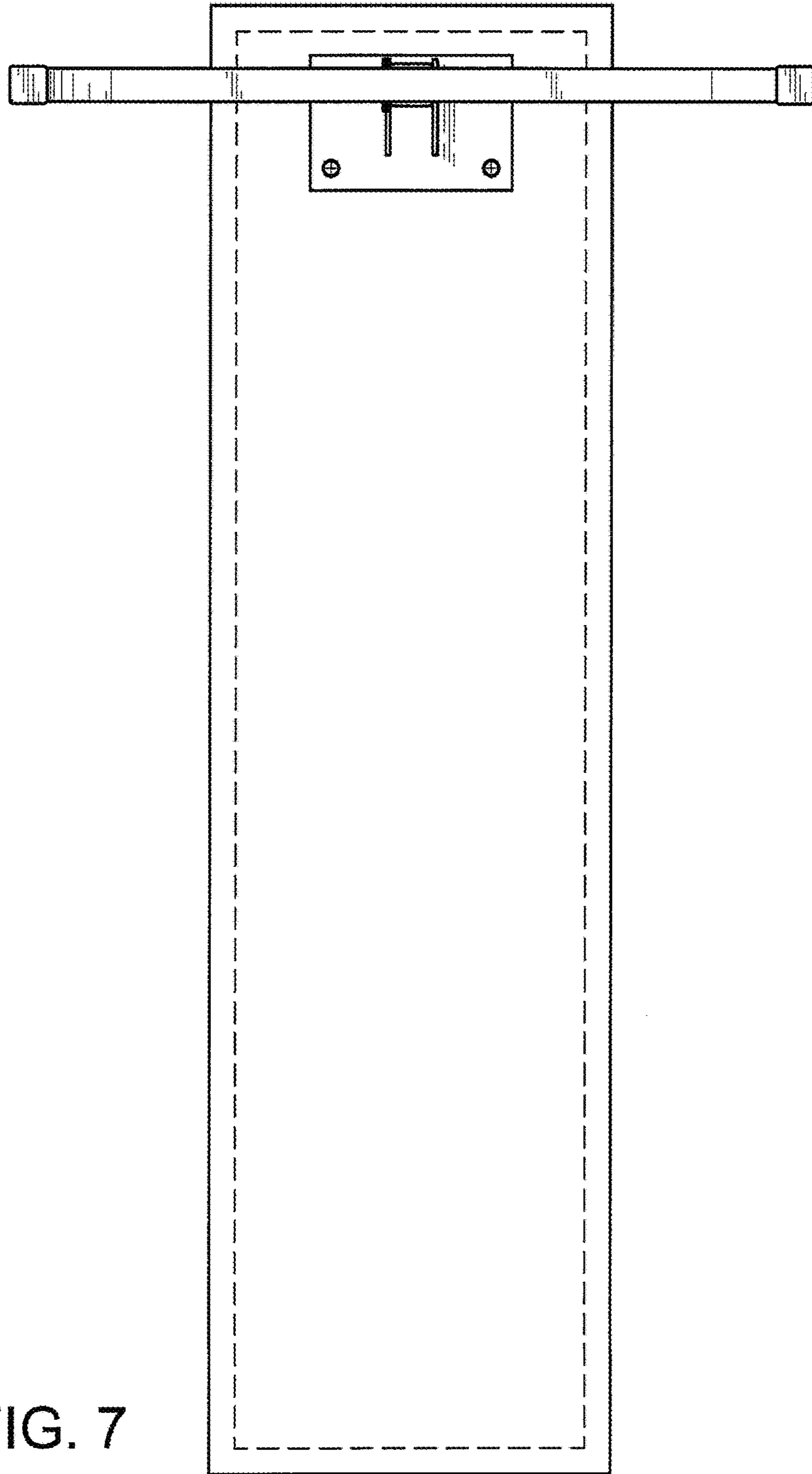


FIG. 7