



US00D832458S

(12) **United States Design Patent** (10) **Patent No.:** **US D832,458 S**
Nelson et al. (45) **Date of Patent:** **** Oct. 30, 2018**

(54) **ELECTROPHORESIS CASSETTE BASE**

27/44747; G01N 27/44756; G01N
27/44778; C07K 1/26

(71) Applicant: **LIFE TECHNOLOGIES**
CORPORATION, Carlsbad, CA (US)

See application file for complete search history.

(72) Inventors: **Paul Nelson**, Encinitas, CA (US);
Syrus Jaffe, Carlsbad, CA (US);
Shimon Spector, Matan (IL)

(56) **References Cited**

U.S. PATENT DOCUMENTS

3,620,947 A 11/1971 Allen et al.
D231,609 S 5/1974 Broek et al.
(Continued)

(73) Assignee: **LIFE TECHNOLOGIES**
CORPORATION, Carlsbad, CA (US)

FOREIGN PATENT DOCUMENTS

(**) Term: **15 Years**

EP 2470891 12/2014
WO 1998/025136 6/1998
(Continued)

(21) Appl. No.: **29/609,950**

OTHER PUBLICATIONS

(22) Filed: **Jul. 7, 2017**

Bio-Rad Laboratories, "Automating electrophoresis with the new
Experion (TM) System", BioRadiations, vol. 115, Jan. 1, 2005, 2-3.
(Continued)

Related U.S. Application Data

(60) Division of application No. 29/518,256, filed on Feb.
20, 2015, now Pat. No. Des. 794,823, which is a
continuation-in-part of application No. 29/468,460,
filed on Sep. 30, 2013, which is a division of
application No. 29/423,588, filed on Jun. 1, 2012,
now Pat. No. Des. 698,037, which is a continuation of
application No. 12/862,333, filed on Aug. 24, 2010,
which is a continuation of application No.
12/862,460, filed on Aug. 24, 2010, which is a
(Continued)

Primary Examiner — Wan Laymon

(51) **LOC (11) Cl.** **24-99**

(57) **CLAIM**

(52) **U.S. Cl.**

USPC **D24/233**

The ornamental design for an electrophoresis cassette base, as
shown and described.

(58) **Field of Classification Search**

USPC D24/233; D10/81

CPC G01N 27/44704; G01N 27/44743; G01N

DESCRIPTION

FIG. 1 is a front, top and side perspective view of an
electrophoresis cassette base;
FIG. 2 is a front view of the electrophoresis cassette base of
FIG. 1;
FIG. 3 is a back view of the electrophoresis cassette base of
FIG. 1;
FIG. 4 is a right side view of the electrophoresis cassette
base of FIG. 1;
FIG. 5 is a left side view of the electrophoresis cassette base
of FIG. 1;
FIG. 6 is a top view of the electrophoresis cassette base of
FIG. 1; and,

(Continued)

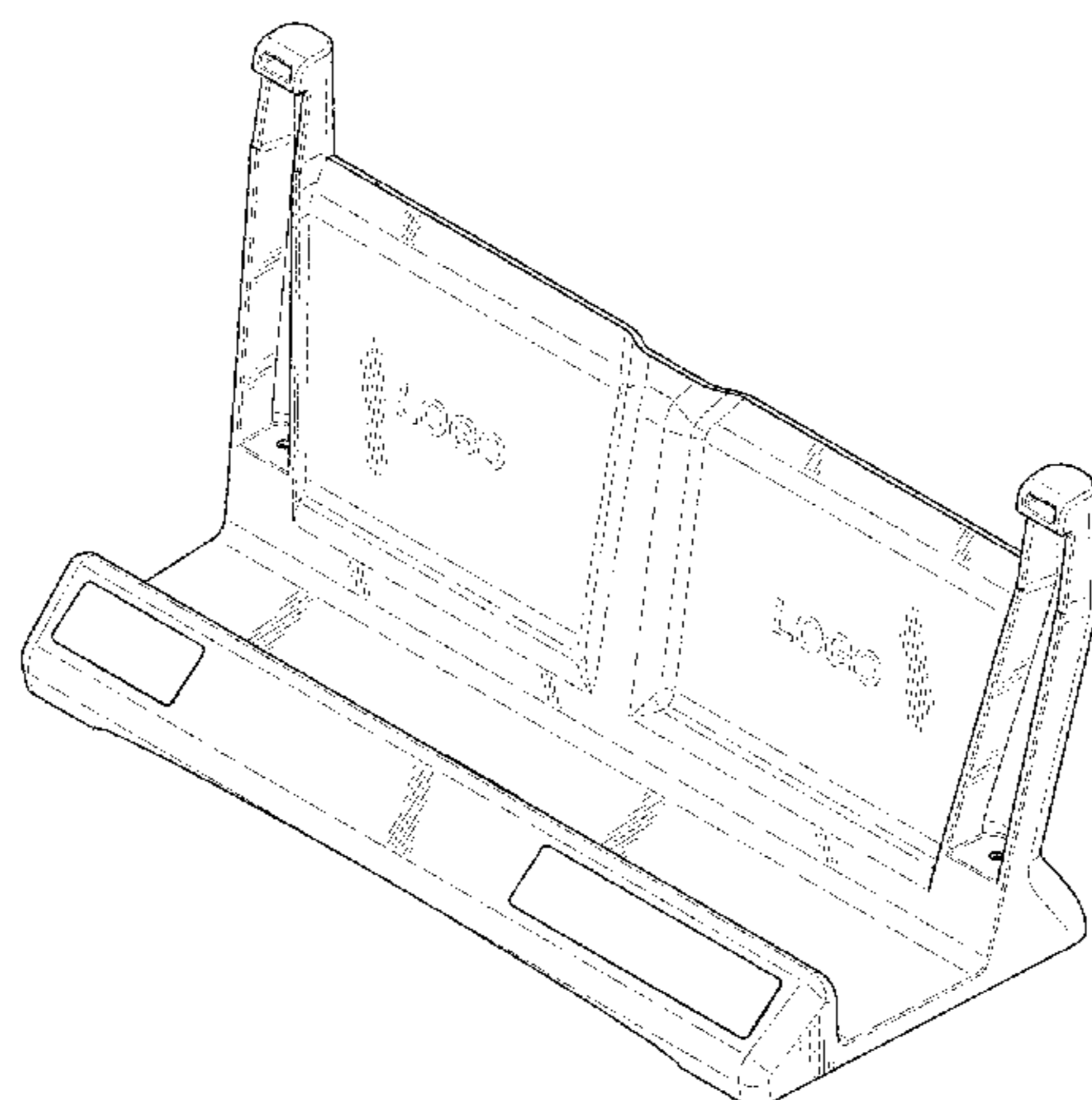


FIG. 7 is a bottom view of the electrophoresis cassette base of FIG. 1.

The broken line showing in the figures is for the purpose of illustrating portions of the electrophoresis cassette base and forms no part of the claimed design.

1 Claim, 6 Drawing Sheets

Related U.S. Application Data

continuation of application No. 29/388,827, filed on Apr. 1, 2011, now Pat. No. Des. 667,134.

(56) **References Cited**

U.S. PATENT DOCUMENTS

4,164,464	A	8/1979	Allington et al.	
4,337,131	A *	6/1982	Vesterberg	G01N 27/44756 204/467
D282,352	S	1/1986	Hoefler et al.	
4,574,040	A	3/1986	Delony et al.	
4,608,146	A	8/1986	Penaluna	
4,772,373	A	9/1988	Ebata et al.	
4,773,984	A	9/1988	Flesher et al.	
4,810,348	A	3/1989	Sarrine et al.	
4,830,725	A	5/1989	Berninger et al.	
D303,007	S	8/1989	Flesher et al.	
D315,951	S	4/1991	Berninger et al.	
D315,952	S	4/1991	Berninger et al.	
5,147,522	A	9/1992	Sarrine et al.	
5,284,565	A	2/1994	Chu et al.	
5,318,682	A	6/1994	Singer	
5,460,709	A	10/1995	Sarrine et al.	
5,569,369	A *	10/1996	Leffler	G01N 27/44704 204/616
5,626,735	A	5/1997	Chu et al.	
5,627,022	A	5/1997	Renfrew et al.	
5,632,877	A	5/1997	Van Atta	
5,656,145	A	8/1997	Nguyen et al.	
5,685,967	A	11/1997	Manis et al.	
5,717,602	A	2/1998	Kenning	
5,785,835	A	7/1998	Saito et al.	
5,799,773	A	9/1998	Heffelfinger et al.	
5,800,691	A	9/1998	Kozulic	
5,891,314	A	4/1999	Heffelfinger et al.	
5,897,760	A	4/1999	Heffelfinger et al.	
5,949,899	A	9/1999	Ng	
5,951,838	A	9/1999	Heffelfinger et al.	
5,993,628	A	11/1999	Selby et al.	
6,063,250	A	5/2000	Becker et al.	
6,068,754	A	5/2000	Koh	
RE36,826	E	8/2000	Fujimiya et al.	
D430,304	S	8/2000	Oonuma et al.	
6,139,709	A	10/2000	Scott	
6,162,342	A	12/2000	Perez et al.	

D443,068	S *	5/2001	Manusu	D24/233
6,231,813	B1	5/2001	Ally et al.	
6,298,874	B1	10/2001	Anderson et al.	
6,413,402	B1 *	7/2002	Manusu	G01N 27/44704 204/618
6,878,257	B2 *	4/2005	Manusu	G01N 27/44704 204/616
D505,729	S	5/2005	Lee	
D516,733	S	3/2006	Pedraza et al.	
D524,948	S	7/2006	Pedraza et al.	
D564,378	S	3/2008	Kaushal et al.	
D564,924	S	3/2008	Kaushal et al.	
7,601,251	B2	10/2009	Rooney	
8,092,665	B2	1/2012	Jackson	
D667,134	S	9/2012	Updyke et al.	
D698,037	S	1/2014	Nelson et al.	
9,097,663	B2	8/2015	Updyke et al.	
9,714,918	B2 *	7/2017	Updyke	G01N 27/44778
2002/0079222	A1	6/2002	Sevigny et al.	
2003/0157720	A1	8/2003	Li	
2003/0168339	A1	9/2003	Audeh et al.	
2003/0207271	A1	11/2003	Holwitt et al.	
2004/0033591	A1	2/2004	Lubman et al.	
2004/0036036	A1	2/2004	Atkinson et al.	
2005/0089930	A1	4/2005	Schneider et al.	
2005/0103633	A1	5/2005	Tseng	
2005/0213093	A1	9/2005	Nordman et al.	
2006/0032747	A1	2/2006	Anderson et al.	
2006/0176461	A1	8/2006	Sekine	
2006/0176481	A1	8/2006	Forest et al.	
2007/0045118	A1	3/2007	Maruo et al.	
2007/0102298	A1	5/2007	Riveron Rojas et al.	
2007/0278102	A1	12/2007	Hayashida et al.	
2007/0284250	A1	12/2007	Magnant et al.	
2008/0142365	A1	6/2008	Kober et al.	
2008/0272002	A1	11/2008	Johansen et al.	
2011/0042213	A1	2/2011	Updyke et al.	
2011/0042217	A1 *	2/2011	Updyke	G01N 27/44778 204/620
2011/0114487	A1	5/2011	Schmidt et al.	
2012/0247958	A1	10/2012	Updyke et al.	
2013/0175172	A1	7/2013	Updyke	

FOREIGN PATENT DOCUMENTS

WO	2011/025781	3/2011
WO	2011/028532	3/2011

OTHER PUBLICATIONS

Phywe, "Electrophoresis chamber, Vertical. Product No. 35018-20", <http://www.phywe.com/461/apg/360/pid/27438/Elektrophorese-Kammer,-vertikal-htm>., Feb. 13, 2013.
Sigma-Aldrich Co. LLC, "TV 100 mini vertical electrophoresis unit for pre-case gels", <http://www.sigmaaldrich.com/catalog/product/sigma/z649759?lang=en®ion=US>., Feb. 13, 2013.

* cited by examiner

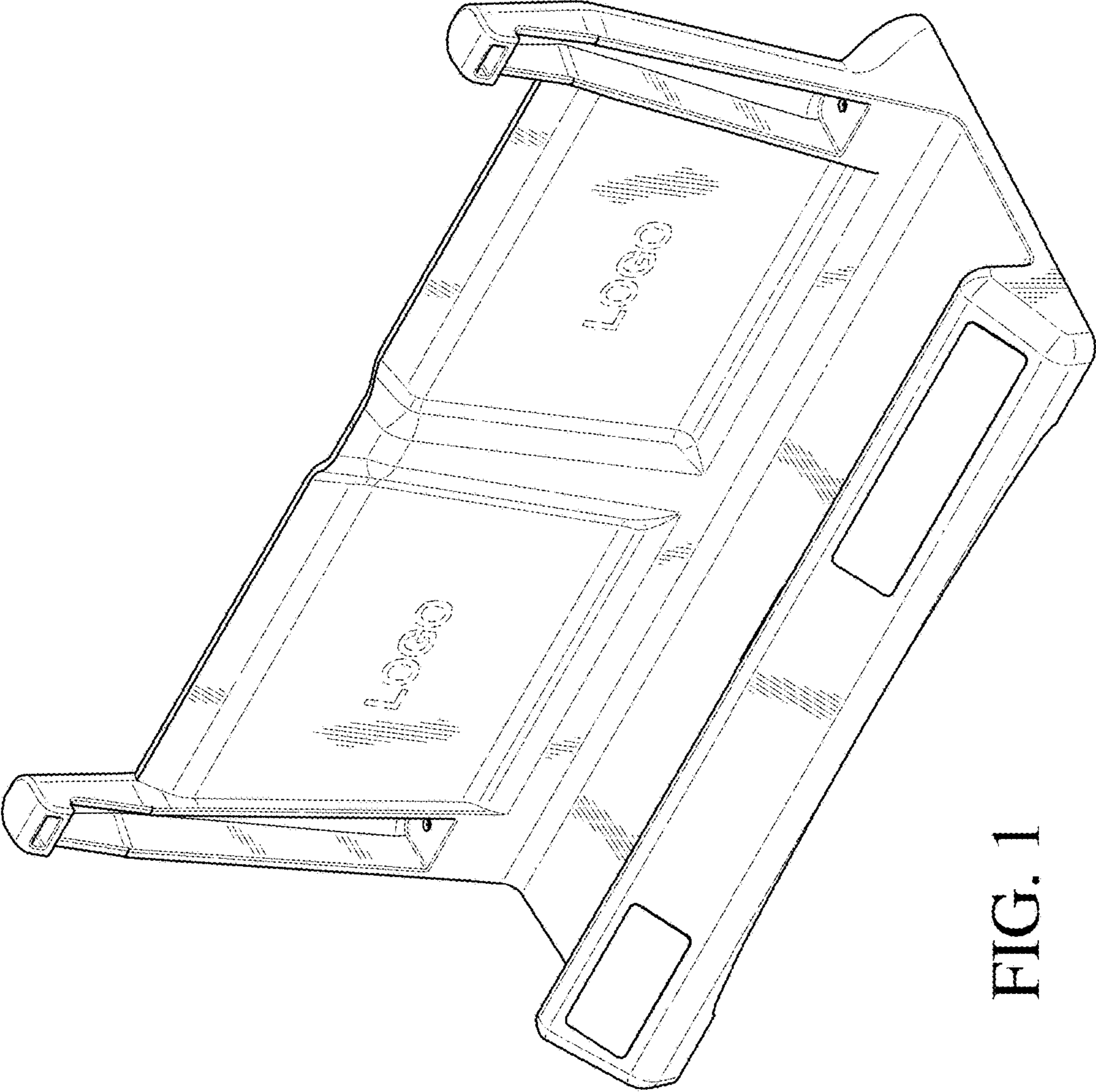


FIG. 1

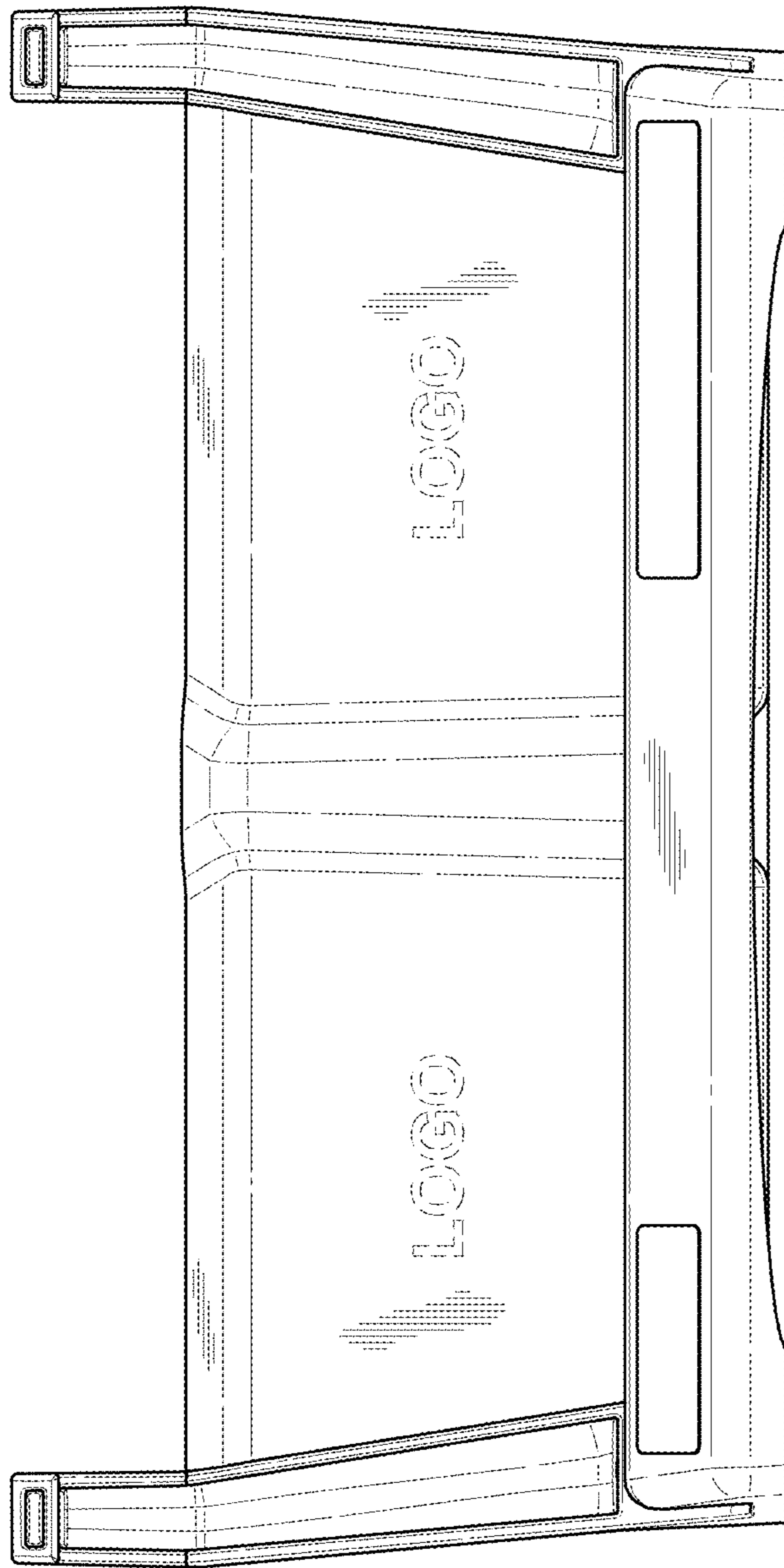


FIG. 2

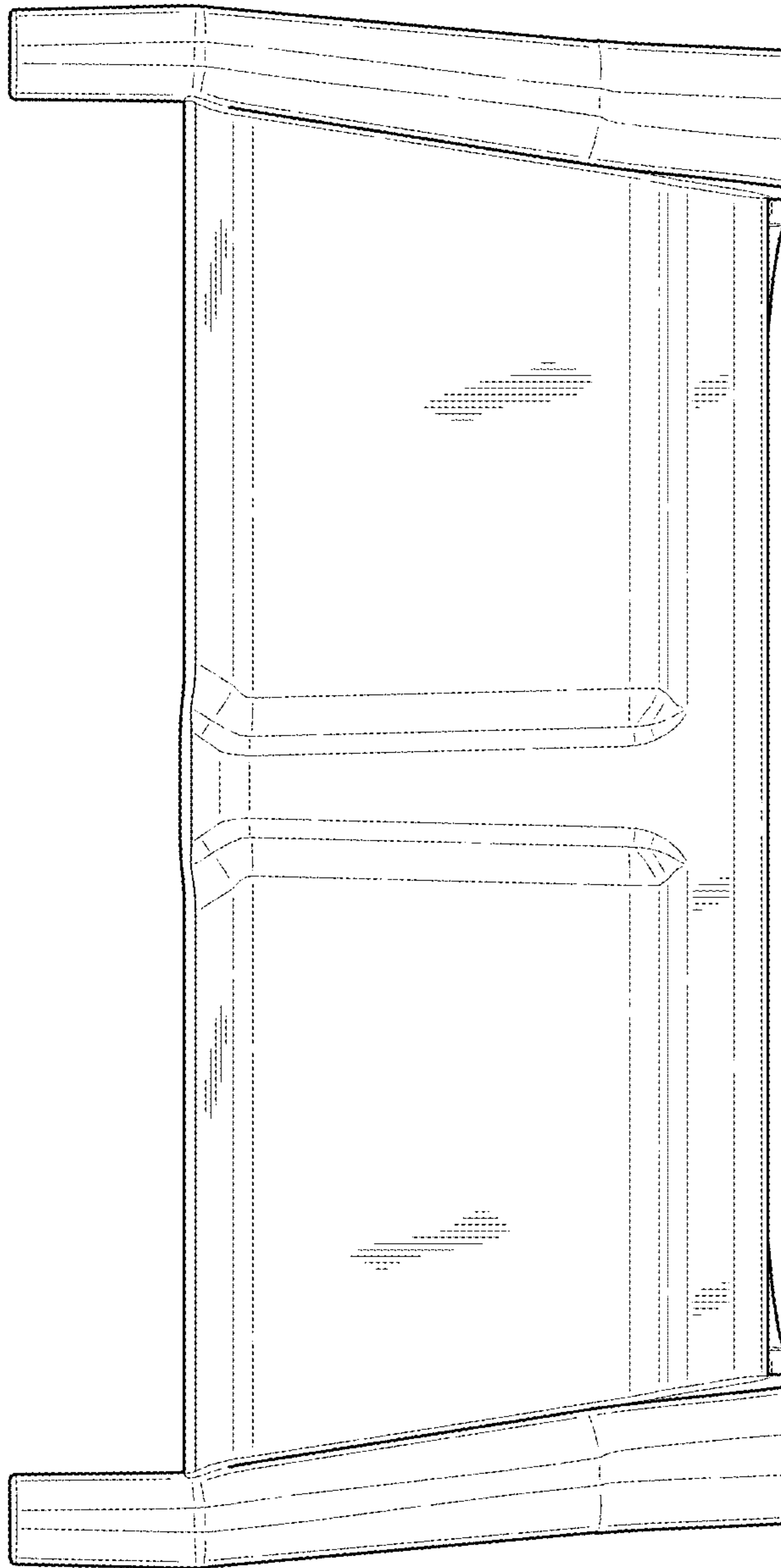


FIG. 3

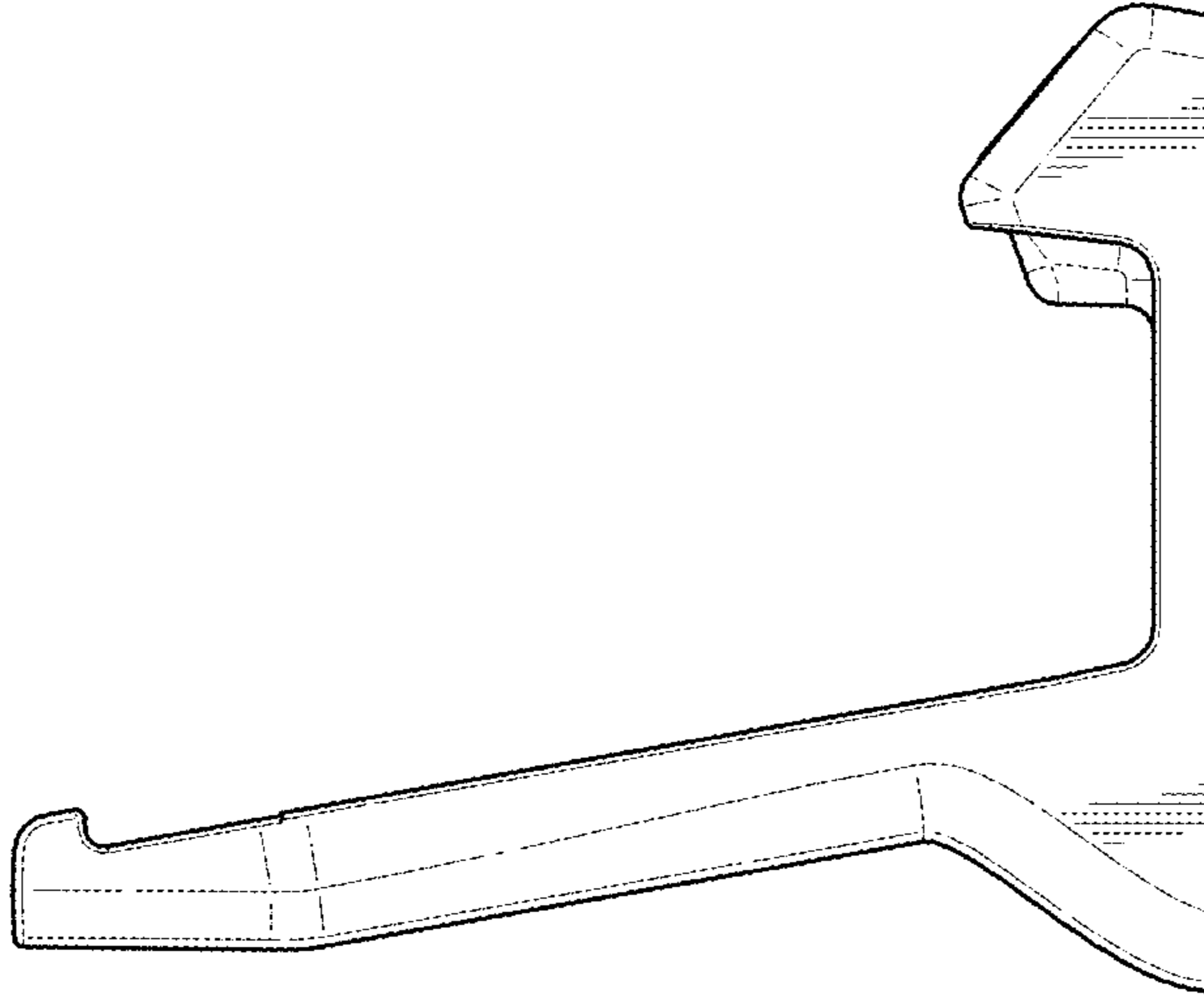


FIG. 5

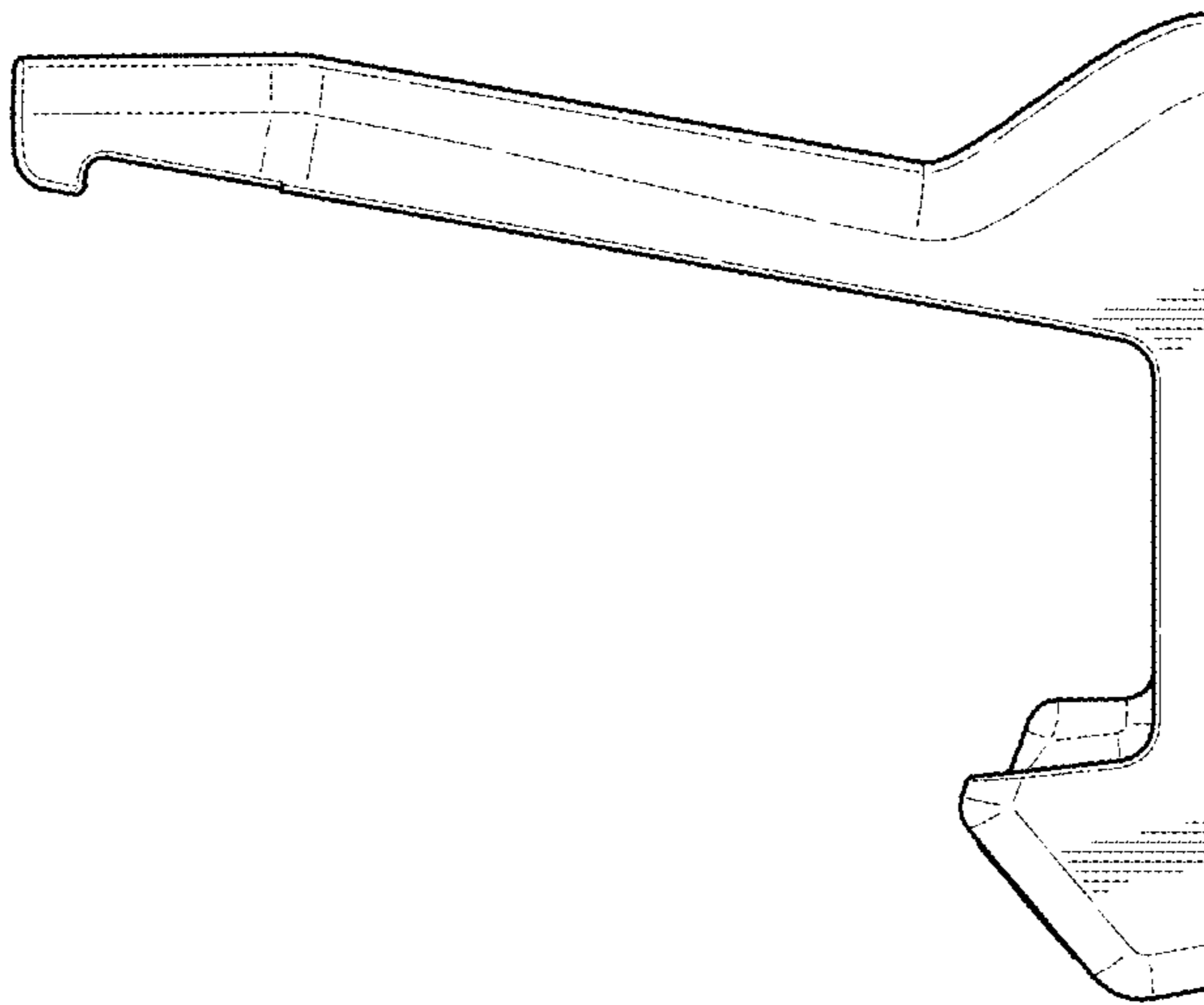


FIG. 4

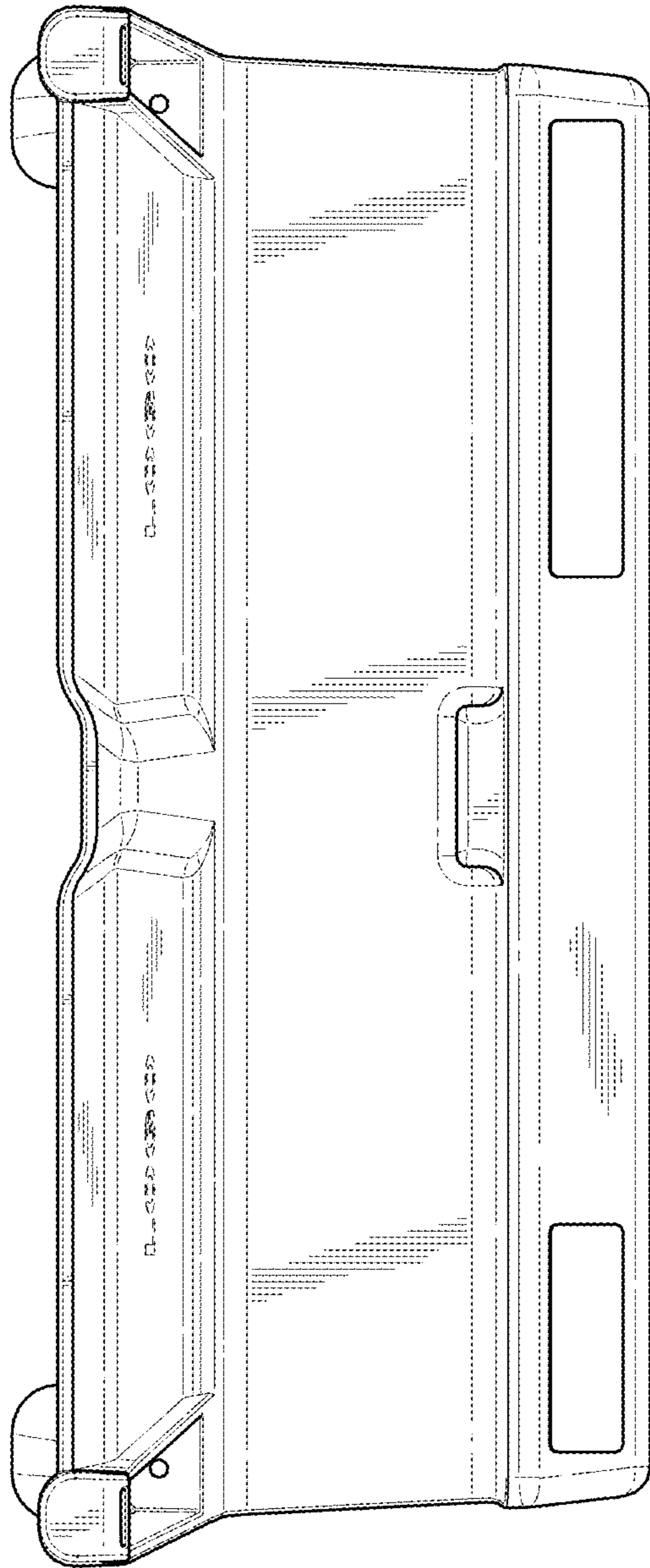


FIG. 6

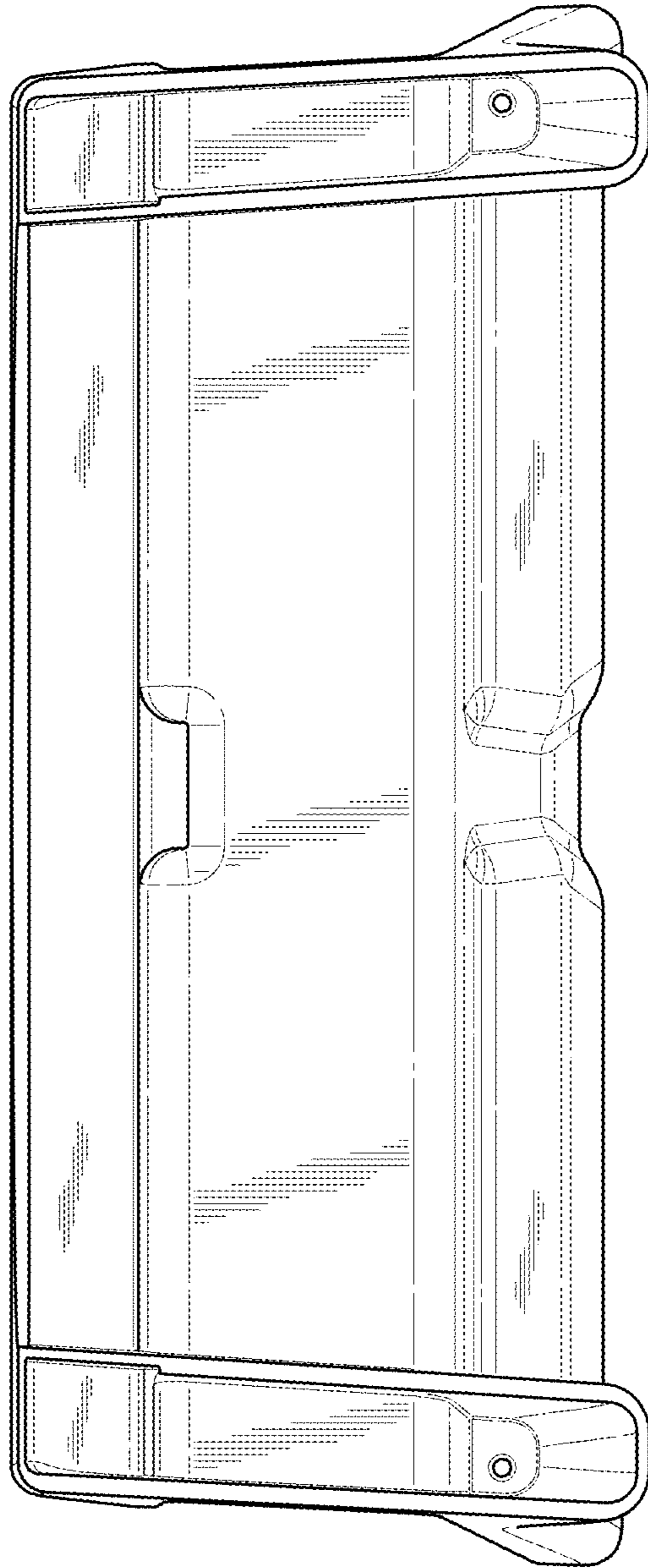


FIG. 7