



US00D832457S

(12) **United States Design Patent** (10) **Patent No.:** **US D832,457 S**
Poys et al. (45) **Date of Patent:** **** Oct. 30, 2018**

(54) **TISSUE GRAFT RETAINER**

OTHER PUBLICATIONS

(71) Applicant: **MUSCULOSKELETAL
TRANSPLANT FOUNDATION,**
Edison, NJ (US)

Design U.S. Appl. No. 29/619,999, filed Oct. 3, 2017, entitled
“Tissue Graft Retainer” (11 pages).

(72) Inventors: **Elizabeth Ann Poys**, Modford, NJ
(US); **Todd J. Nilsen**, Howell, NJ (US);
Alison Ling, Piscataway, NJ (US);
Kevin Wu, Morganville, NJ (US)

Primary Examiner — Anhdao Doan

Assistant Examiner — Mary Shannon Malley

(74) *Attorney, Agent, or Firm* — Cole Schotz, P.C.

(73) Assignee: **Musculoskeletal Transplant
Foundation**, Edison, NJ (US)

(57) **CLAIM**

(**) Term: **15 Years**

An ornamental design for a tissue graft retainer, as shown
and described.

(21) Appl. No.: **29/590,395**

(22) Filed: **Jan. 10, 2017**

(51) **LOC (11) Cl.** **24-01**

(52) **U.S. Cl.**
USPC **D24/227**

(58) **Field of Classification Search**
USPC D24/216, 222, 224–232; D9/414–418,
D9/423, 456, 457, 732, 722, 424, 425,
D9/428
CPC ... G01N 1/30; G01N 2001/368; C12M 23/10;
C12M 23/12; C12M 23/34
See application file for complete search history.

DESCRIPTION

FIG. 1 is a top perspective view of a tissue graft retainer
showing our new design;
FIG. 2 is a left side elevational view thereof;
FIG. 3 is right side elevational view thereof;
FIG. 4 is a rear elevational view thereof;
FIG. 5 is a front elevational view thereof;
FIG. 6 is a top plan view thereof;
FIG. 7 is a bottom plan view thereof;
FIG. 8 is a top perspective view of a first member of the
tissue graft retainer shown in FIGS. 1-7, with the under-
standing that the first member and a second member of the
tissue graft retainer shown in FIGS. 1-7 are identical;
FIG. 9 is a left side elevational view thereof;
FIG. 10 is right side elevational view thereof;
FIG. 11 is a rear elevational view thereof;
FIG. 12 is a front elevational view thereof;
FIG. 13 is a top plan view thereof; and,
FIG. 14 is a bottom plan view thereof.
The broken lines in FIG. 7 showing a tissue graft represent
environmental subject matter that forms no part of the
claimed design.

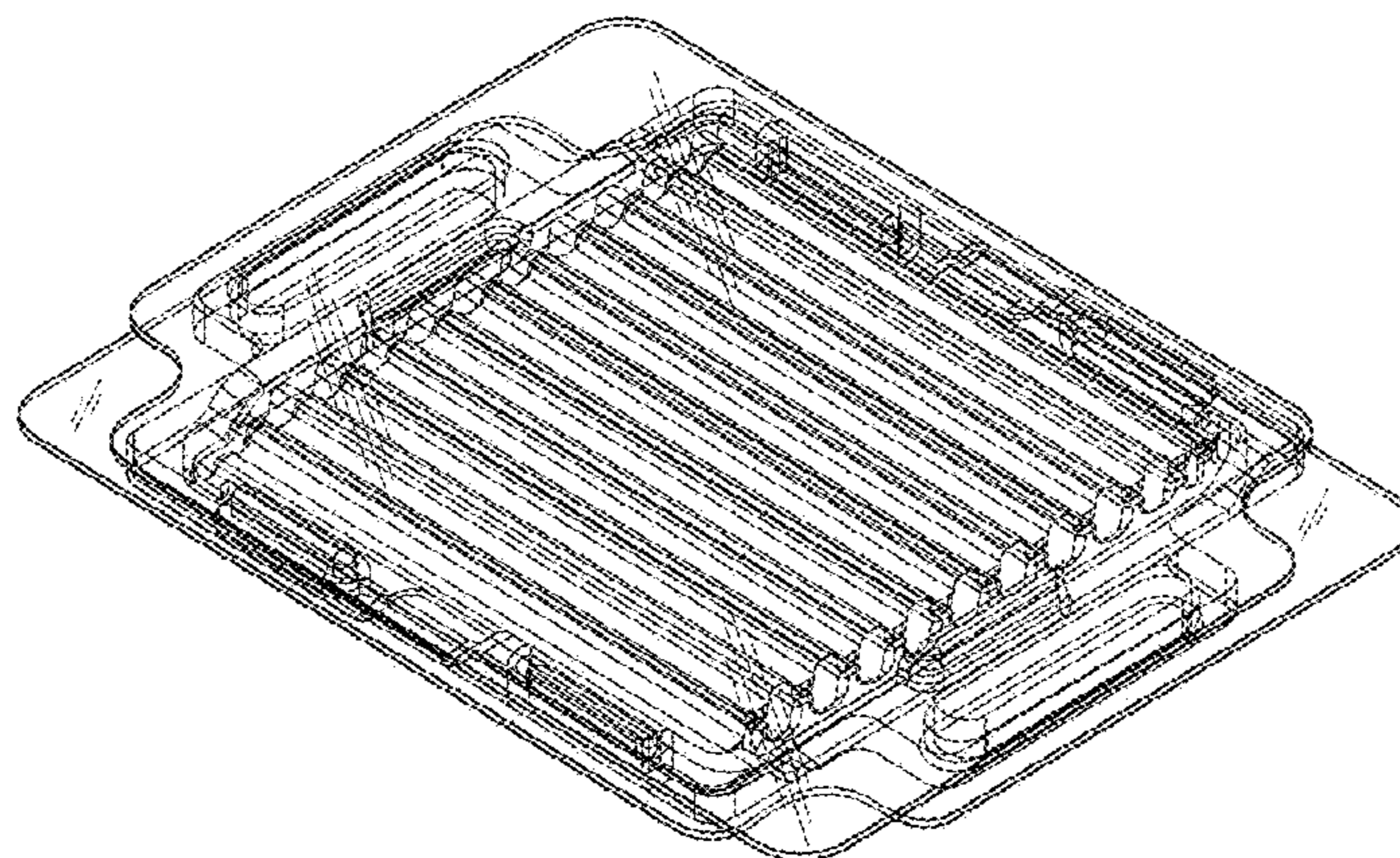
(56) **References Cited**

U.S. PATENT DOCUMENTS

D299,955	S	*	2/1989	Kendrick, Sr.	D24/226
D613,418	S	*	4/2010	Ryan	D24/229
D638,137	S	*	5/2011	Gross	D24/227
D718,471	S	*	11/2014	So	D24/224
D718,472	S	*	11/2014	So	D24/224
D755,986	S	*	5/2016	Green	D24/224
D776,823	S		1/2017	Duan-Arnold et al.		
9,851,349	B2	*	12/2017	Musat	G01N 33/5436
2004/0132205	A1	*	7/2004	Moon	B01L 3/502761
						436/174
2005/0242017	A1	*	11/2005	Staats	B01J 20/283
						210/198.2

(Continued)

1 Claim, 8 Drawing Sheets



(56)

References Cited

U.S. PATENT DOCUMENTS

2010/0009459 A1* 1/2010 Herminghaus B01J 19/0046
436/180
2012/0208273 A1* 8/2012 Tarunina C12M 23/34
435/366
2014/0073004 A1* 3/2014 Williamson, IV G01N 1/31
435/40.52
2014/0135236 A1* 5/2014 Musat G01N 1/36
506/18
2015/0259119 A1 9/2015 Duan-Arnold
2016/0324797 A1 11/2016 Allen

* cited by examiner

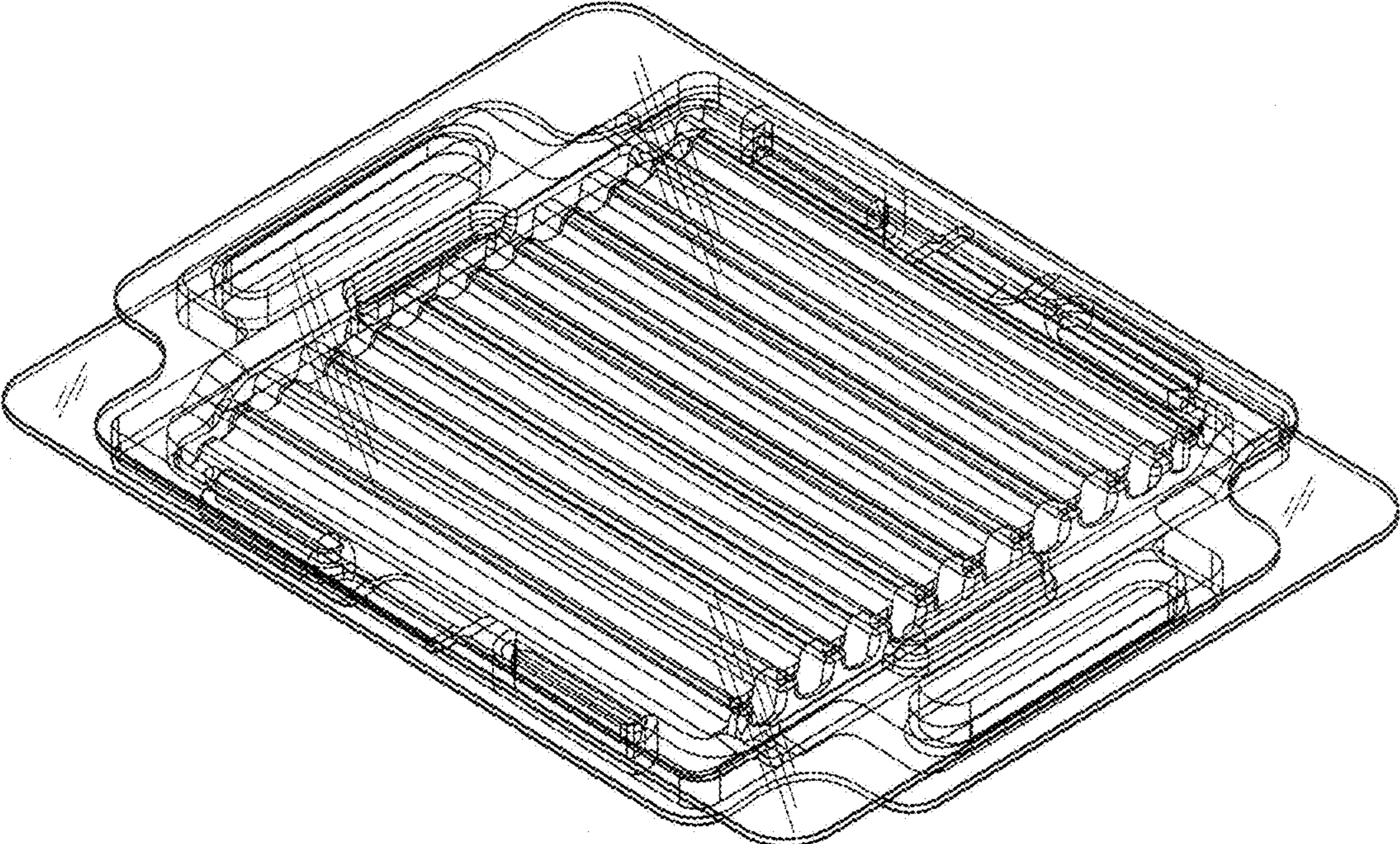


FIG. 1



FIG. 2



FIG. 3

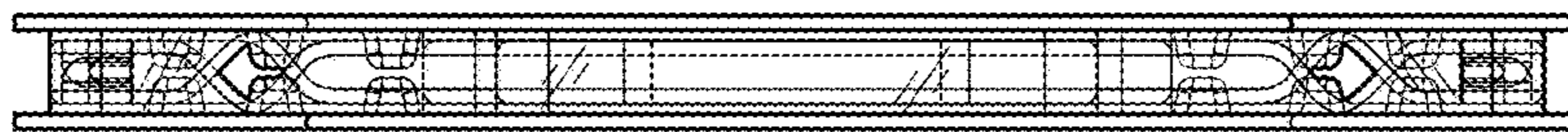


FIG. 4



FIG. 5

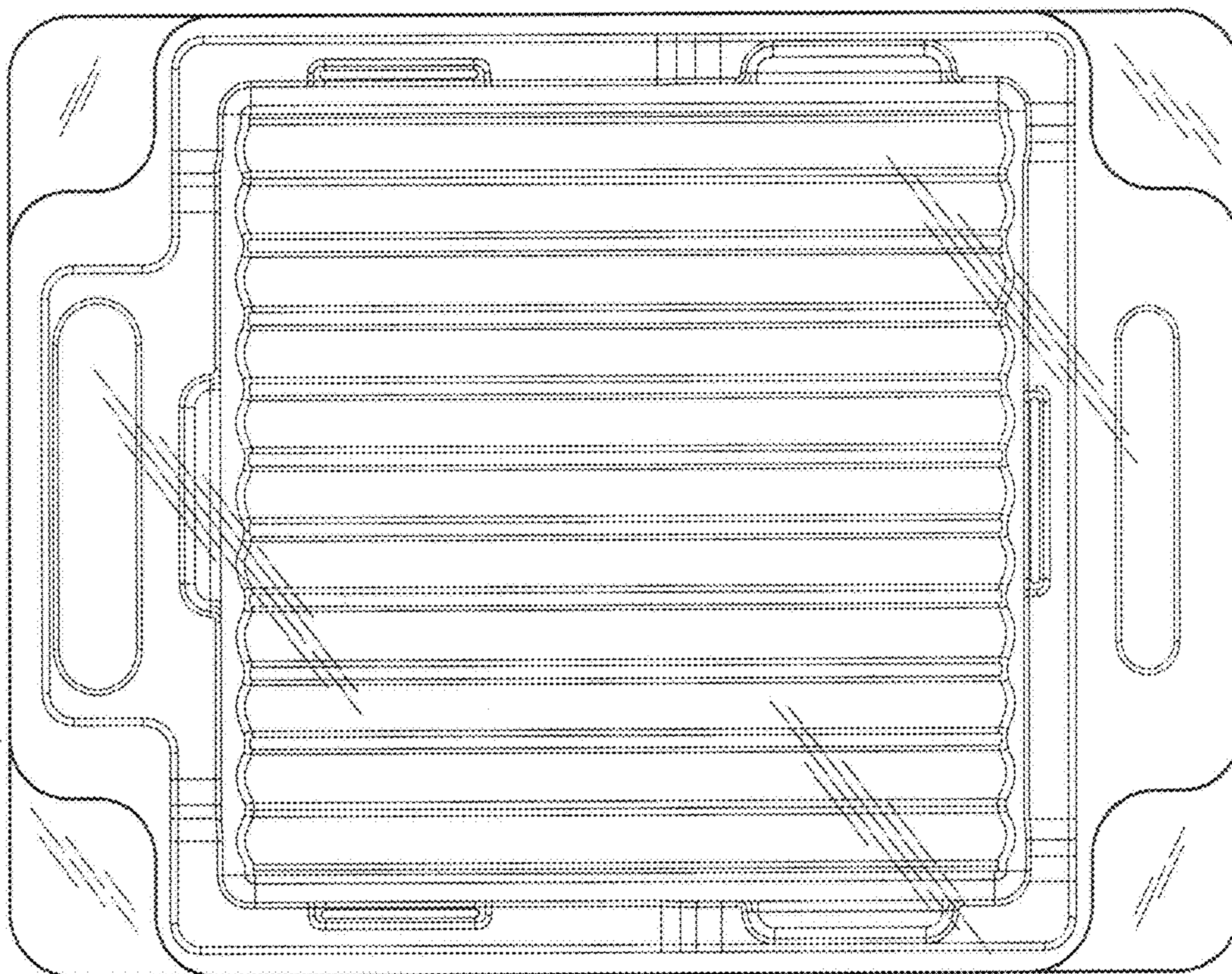


FIG. 6

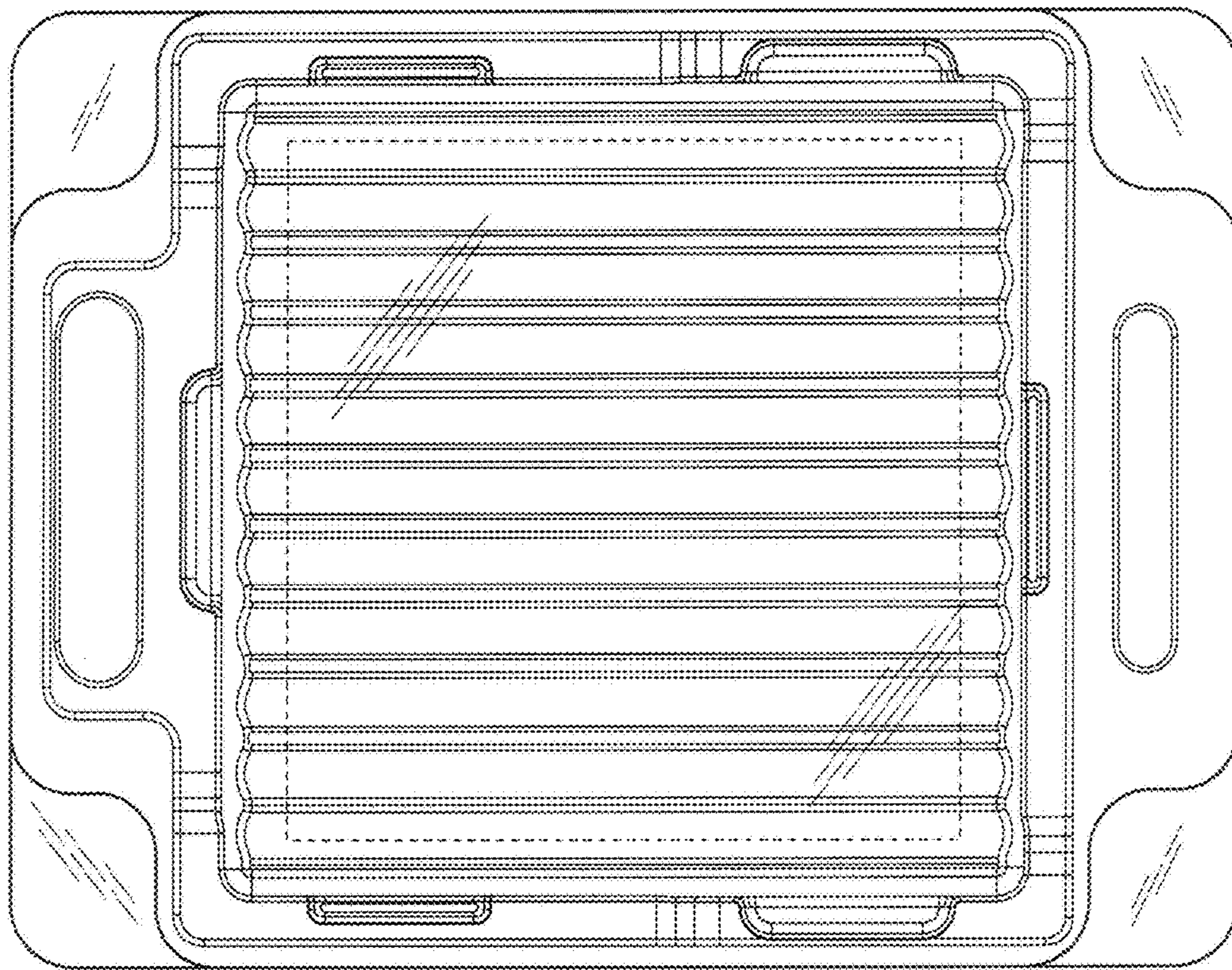


FIG. 7

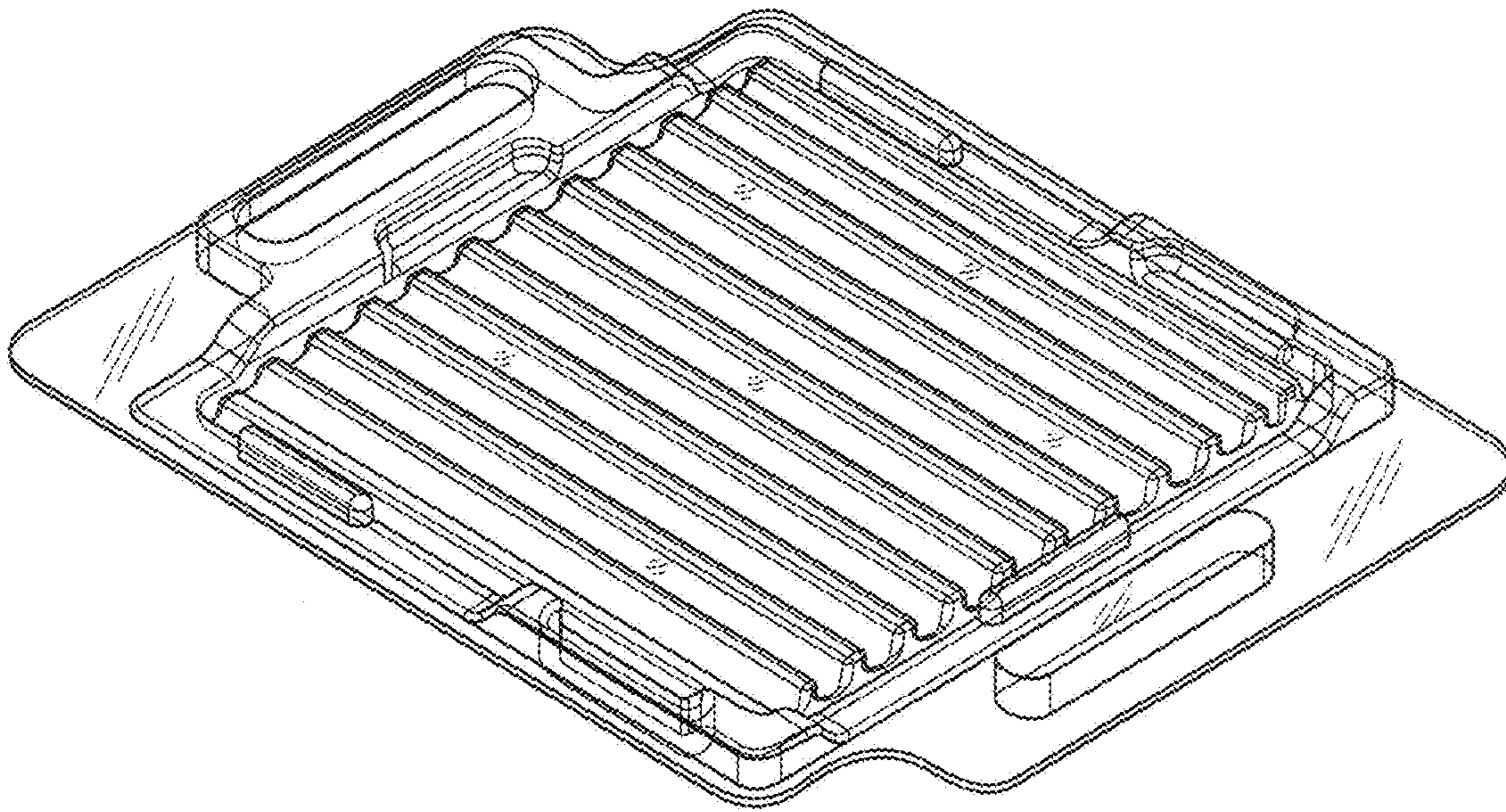


FIG. 8

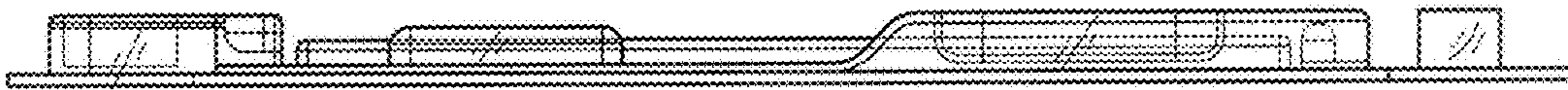


FIG. 9



FIG. 10

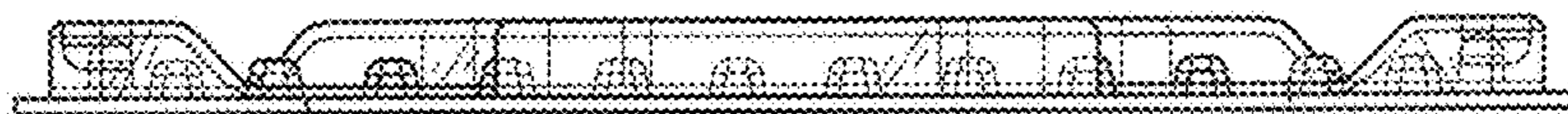


FIG. 11

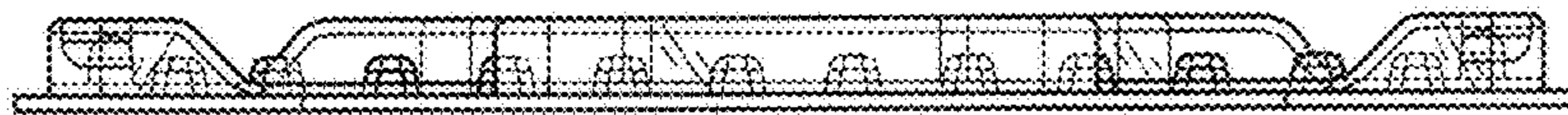


FIG. 12

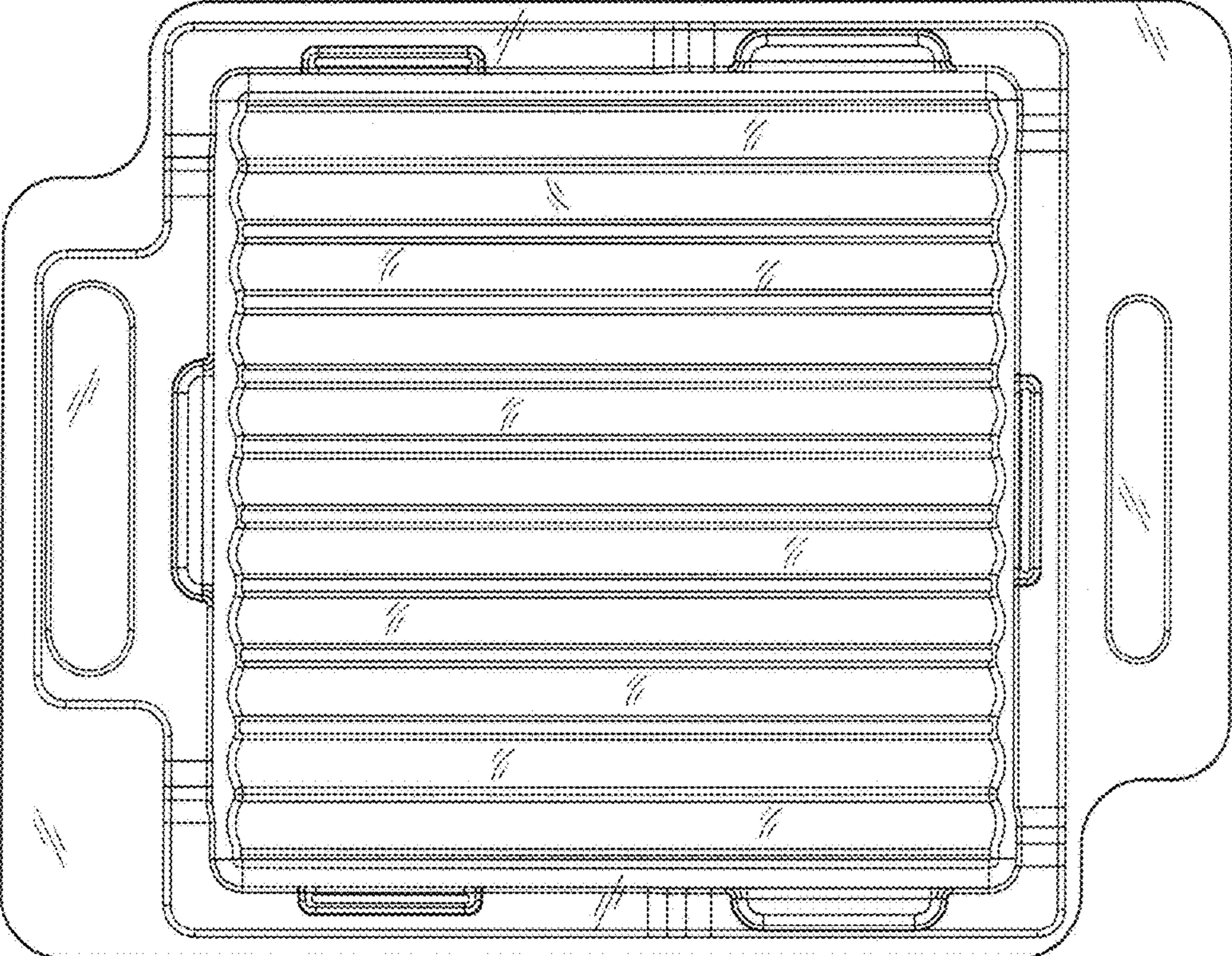


FIG. 13

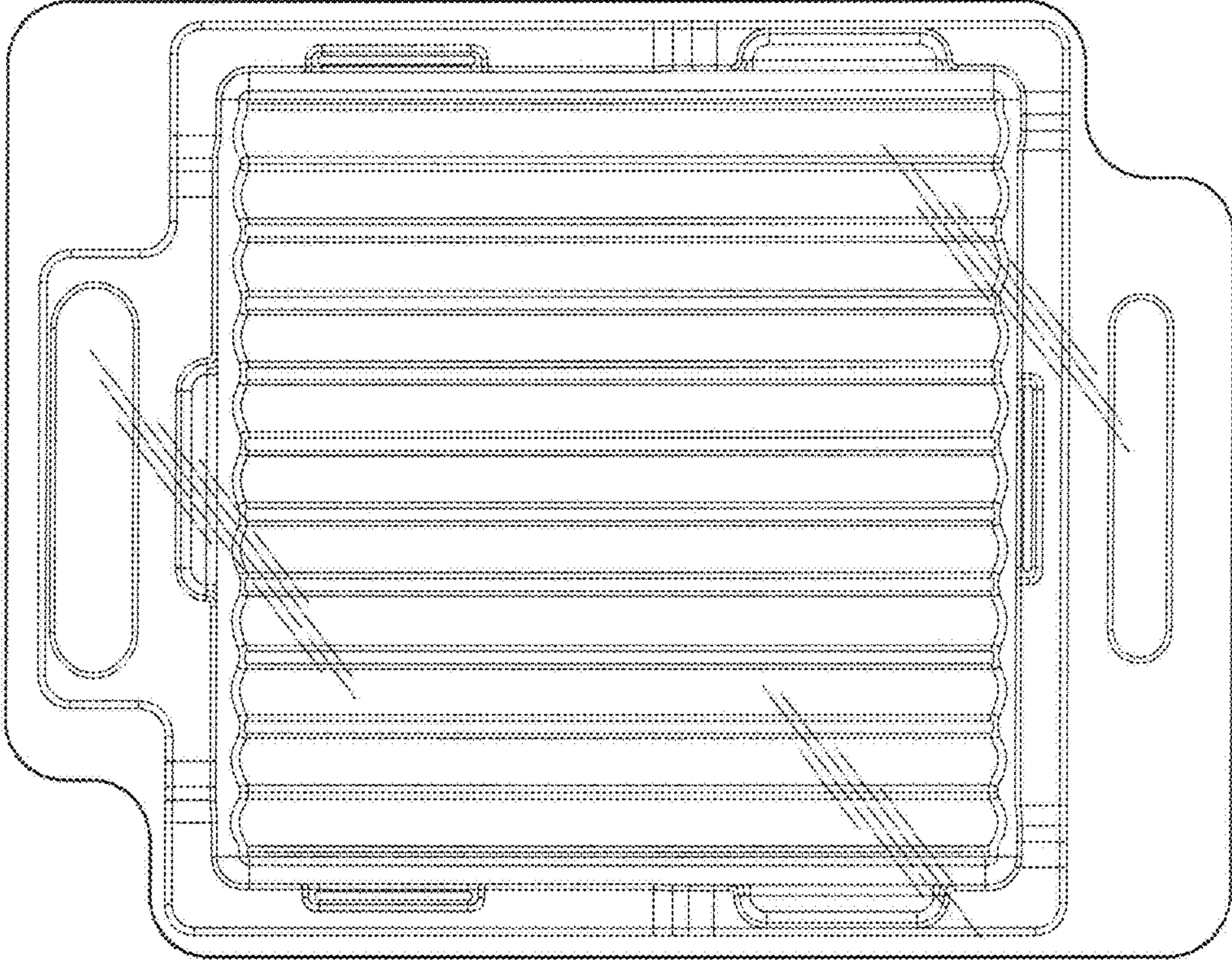


FIG. 14