



US00D832456S

(12) **United States Design Patent** (10) **Patent No.:** **US D832,456 S**
Self et al. (45) **Date of Patent:** **** Oct. 30, 2018**

(54) **REAGENT PLATE** B04B 5/0414; B65D 1/34; B65D 1/36;
G01N 21/03; G01N 21/05; G01N
(71) Applicant: **Becton, Dickinson and Company,** Franklin Lakes, NJ (US) 21/0303; G01N 21/0332; G01N 21/07;
G01N 21/13; G01N 21/76; G01N 21/253;
G01N 33/80
(72) Inventors: **Brian A. Self,** Monkton, MD (US);
Dwight Livingston, Fallston, MD (US);
Alyssa Shedlosky, Owings Mills, MD (US) (US) See application file for complete search history.

(73) Assignee: **Becton, Dickinson and Company,** Franklin Lakes, NJ (US)
(**) Term: **15 Years**
(21) Appl. No.: **29/627,919**
(22) Filed: **Nov. 30, 2017**

Related U.S. Application Data

(60) Division of application No. 29/575,812, filed on Aug. 29, 2016, now Pat. No. Des. 808,039, which is a continuation-in-part of application No. 29/564,504, filed on May 13, 2016.

(51) **LOC (11) Cl.** **24-02**
(52) **U.S. Cl.**
USPC **D24/224**

(58) **Field of Classification Search**
USPC D24/216, 223-230; D3/203.1, 203.3;
D7/553.1, 553.7, 554.3; D9/760
CPC A61B 1/00142; A61B 1/0055; A61B
1/00071; A61B 1/00073; A61B 1/267;
A61B 17/3415; A61B 6/032; A61F
11/002; A61M 16/04; A61M 16/0488;
B01D 9/00; B01L 3/021; B01L 3/0217;
B01L 3/0224; B01L 3/0234; B01L
3/0227; B01L 3/0275; B01L 3/0279;
B01L 3/06; B01L 3/502; B01L 3/5025;
B01L 3/508; B01L 3/5021; B01L
3/50215; B01L 3/5023; B01L 3/5082;
B01L 3/50825; B01L 3/5083; B01L
3/5085; B01L 3/50855; B01L 3/545;
B01L 3/5453; B01L 9/06; B01L 9/543;

(56) **References Cited**

U.S. PATENT DOCUMENTS

D260,428 S *	8/1981	Fekete	D24/226
5,147,609 A *	9/1992	Grenner	B01L 3/5023 422/401
D338,965 S *	8/1993	Glanz	D24/226
5,665,558 A *	9/1997	Frame	G01N 33/80 422/534
5,788,928 A *	8/1998	Carey	G01N 35/00 206/219

(Continued)

Primary Examiner — Ian Simmons
Assistant Examiner — Mark Cavanna
(74) *Attorney, Agent, or Firm* — Lerner, David,
Littenberg, Krumholz & Mentlik, LLP

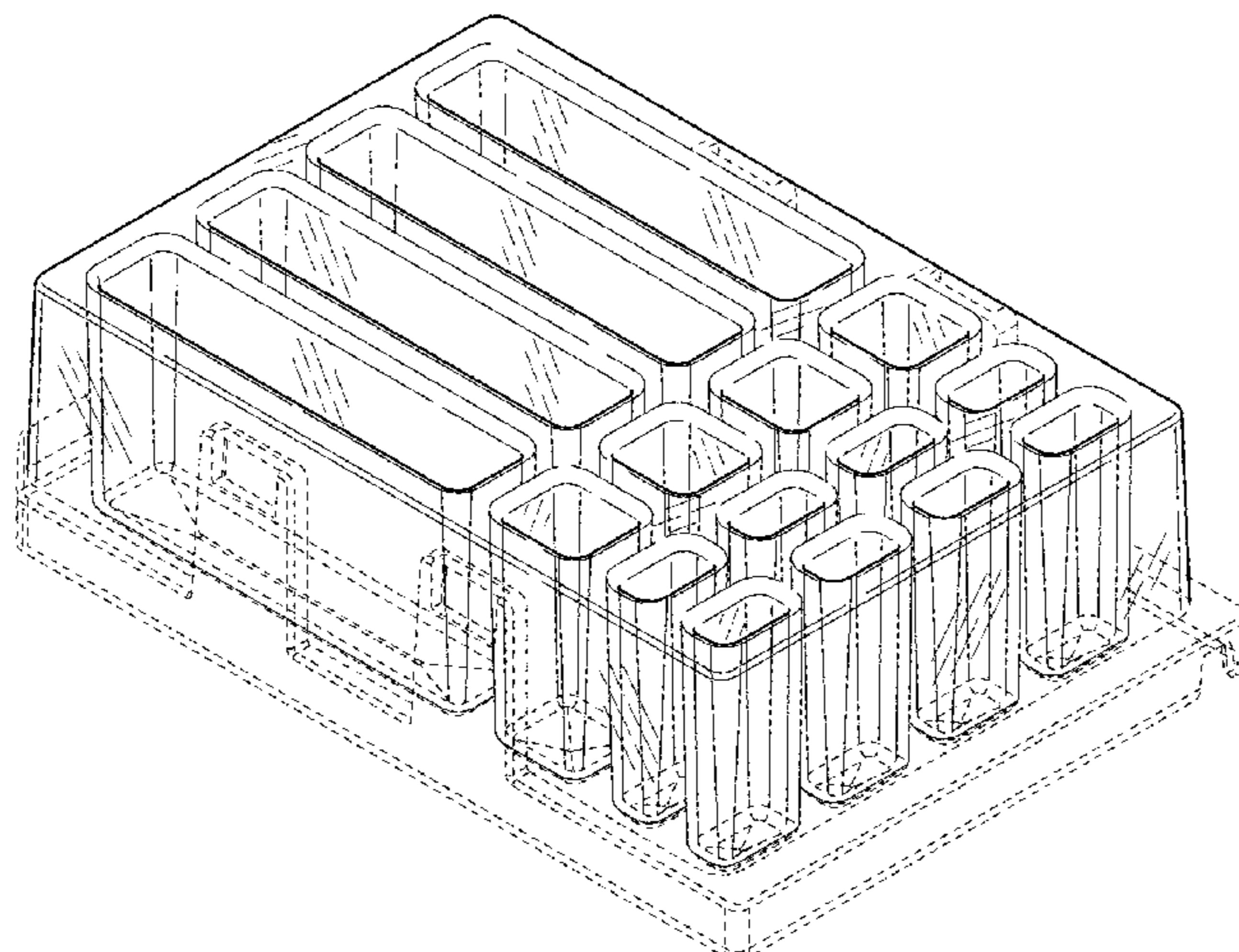
(57) **CLAIM**

The ornamental design for a reagent plate, as shown and described.

DESCRIPTION

FIG. 1 is a front perspective view of a reagent plate showing of our new design;
FIG. 2 is a front elevational view thereof;
FIG. 3 is a rear elevational view thereof;
FIG. 4 is a right side elevational view thereof;
FIG. 5 is a left side elevational view thereof;
FIG. 6 is a top plan view thereof; and,
FIG. 7 is a bottom plan view thereof.
The broken lines are included for the purpose of illustrating portions of the reagent plate that form no part of the claimed design.

1 Claim, 3 Drawing Sheets



(56)

References Cited

U.S. PATENT DOCUMENTS

5,962,250 A	10/1999	Gavin et al.				
D420,743 S	2/2000	Monks				
6,190,619 B1 *	2/2001	Kilcoin	B01J 19/0046			
			422/131			
6,190,878 B1	2/2001	Pierson et al.				
D438,632 S	3/2001	Miller				
D438,633 S *	3/2001	Miller	D24/216			
D492,419 S *	6/2004	Farina	D24/216			
6,943,009 B2 *	9/2005	Lacey	B01L 3/50853			
			422/503			
7,128,878 B2	10/2006	Muser				
D546,966 S *	7/2007	Kajiyama	D24/224			
D598,128 S	8/2009	Pihl et al.				
D598,566 S *	8/2009	Allaer	D24/230			
D601,713 S	10/2009	Lohn et al.				
D618,820 S *	6/2010	Wilson	D24/227			
D620,603 S *	7/2010	Talmer	D24/224			
D624,194 S *	9/2010	Pack	D24/224			
7,922,986 B2 *	4/2011	Byrnard	G01N 35/026			
			422/561			
D657,473 S	4/2012	Miyashita et al.				
D669,597 S *	10/2012	Cavada	D24/216			
D672,881 S *	12/2012	Kraihanzel	D24/224			
D673,293 S *	12/2012	Demas	D24/226			
D674,112 S *	1/2013	Demas	D24/226			
D696,419 S	12/2013	Fusellier et al.				
D699,371 S	2/2014	Williams et al.				
8,663,582 B2 *	3/2014	Kuan	B01L 3/5085			
			422/554			
D728,818 S *	5/2015	Burroughs	D24/230			
D729,942 S	5/2015	Keizer et al.				
D732,186 S *	6/2015	Burroughs	D24/226			
D732,187 S	6/2015	Houkal et al.				
9,084,996 B2	7/2015	Chien et al.				
D792,981 S *	7/2017	Tajima	D24/224			
2005/0136546 A1	6/2005	Berndt et al.				
2014/0361022 A1	12/2014	Finneran				

* cited by examiner

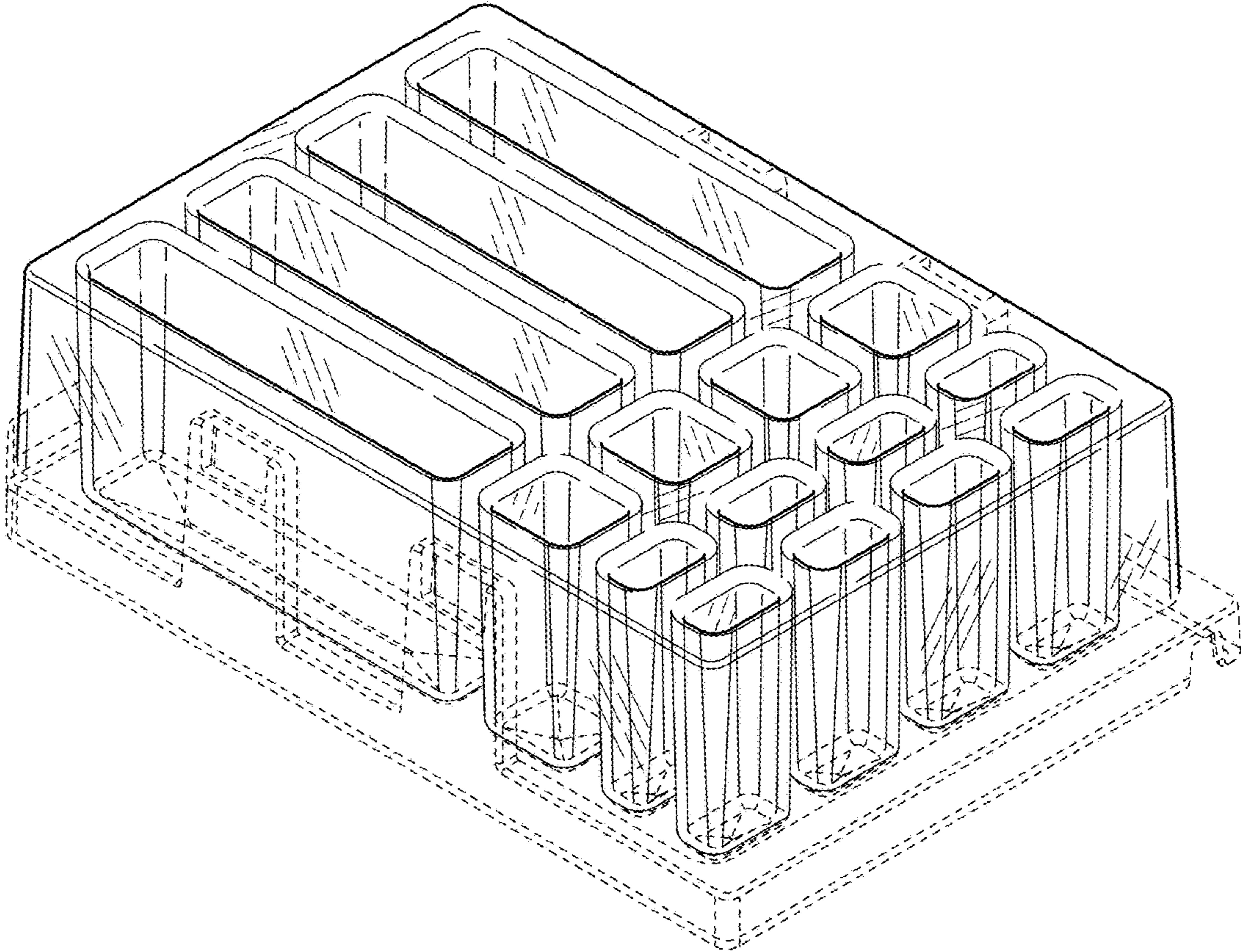


FIG. 1

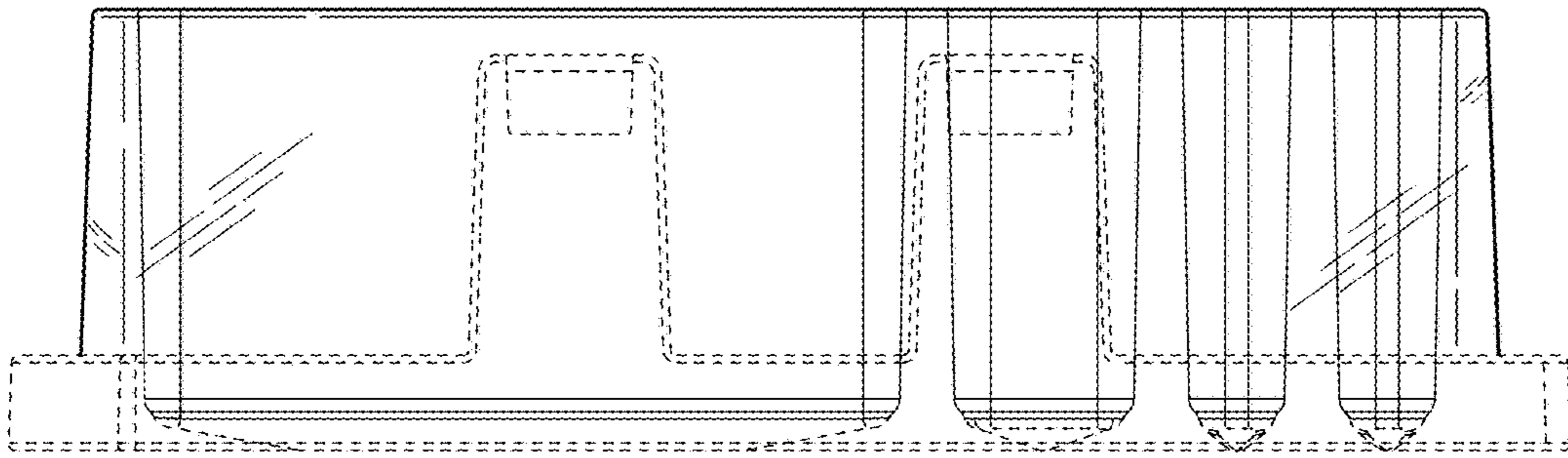


FIG. 2

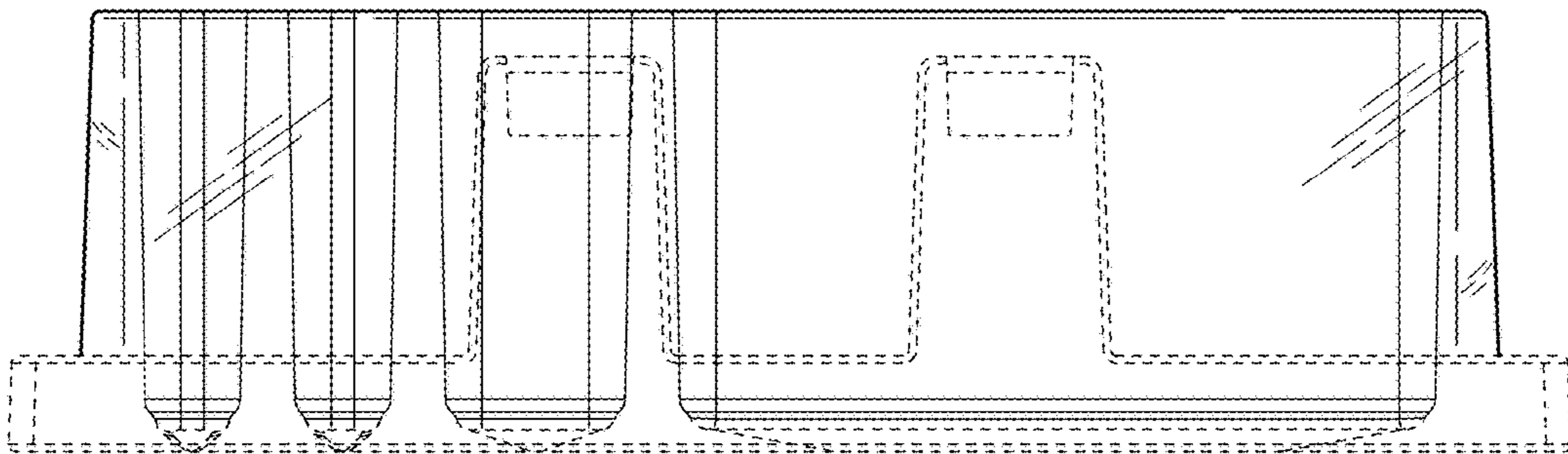


FIG. 3

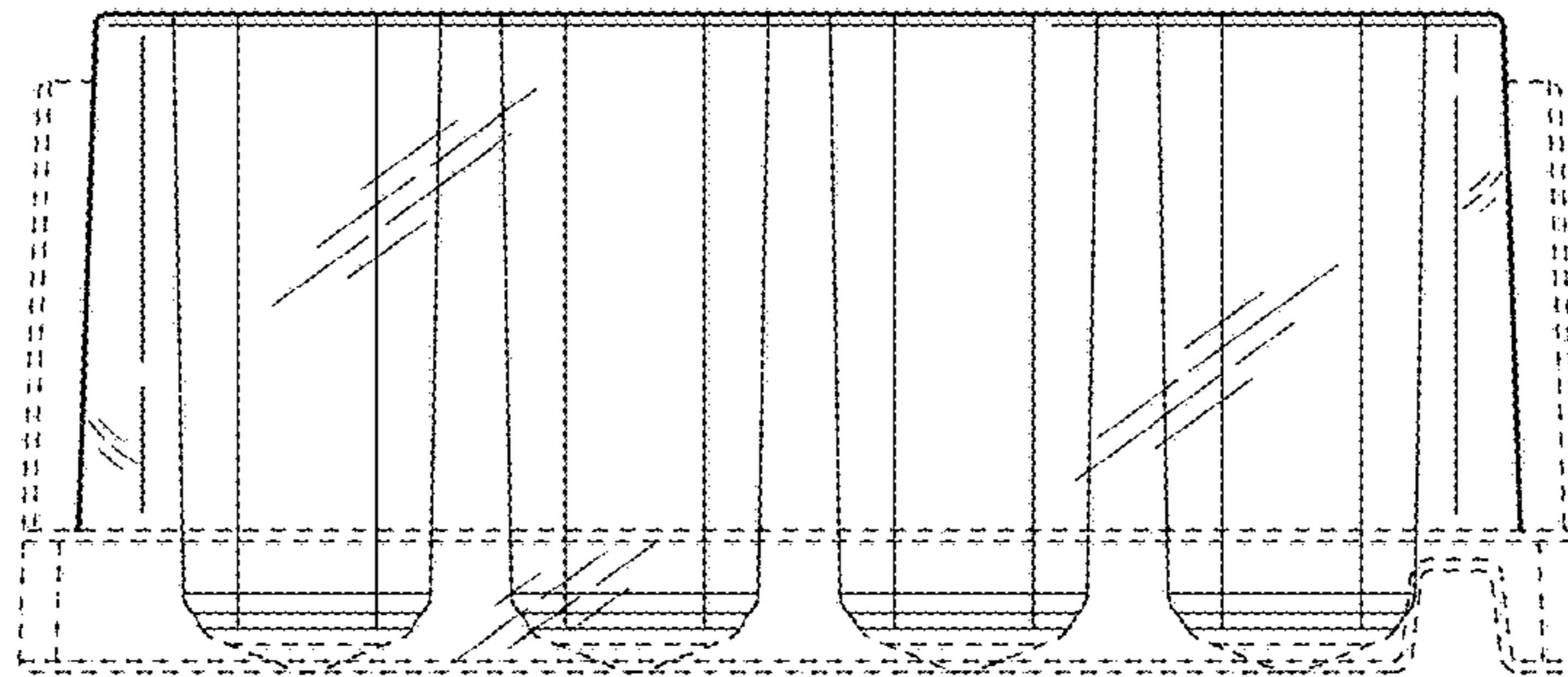


FIG. 4

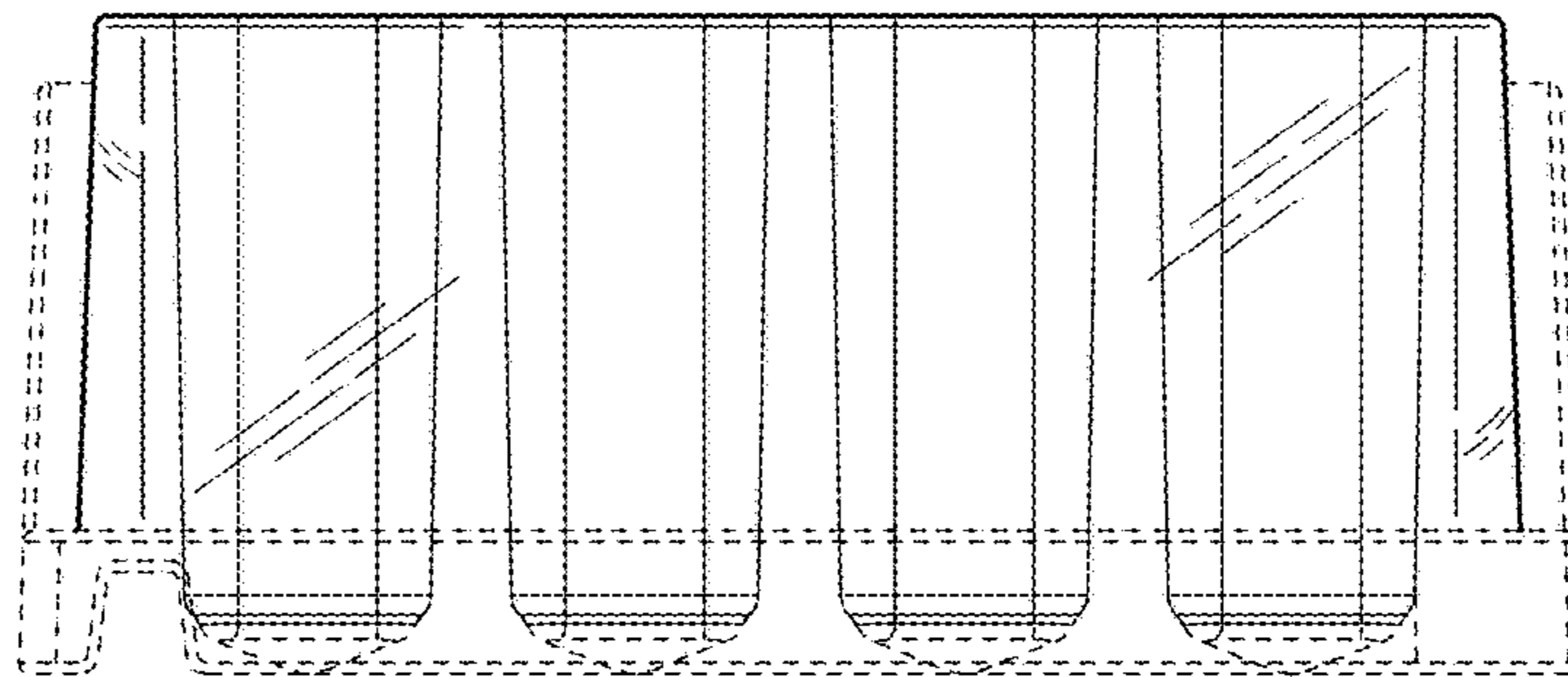


FIG. 5

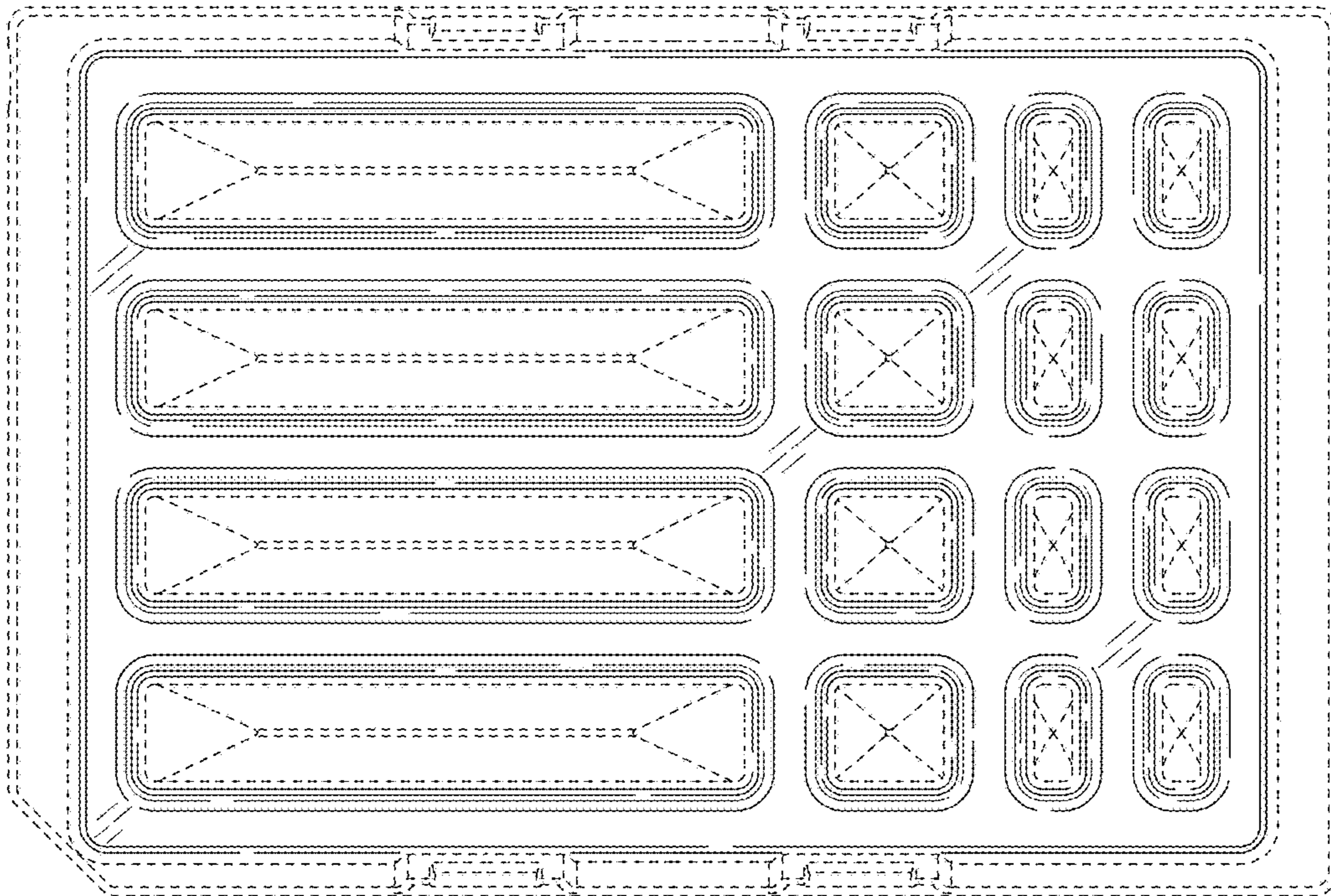


FIG. 6

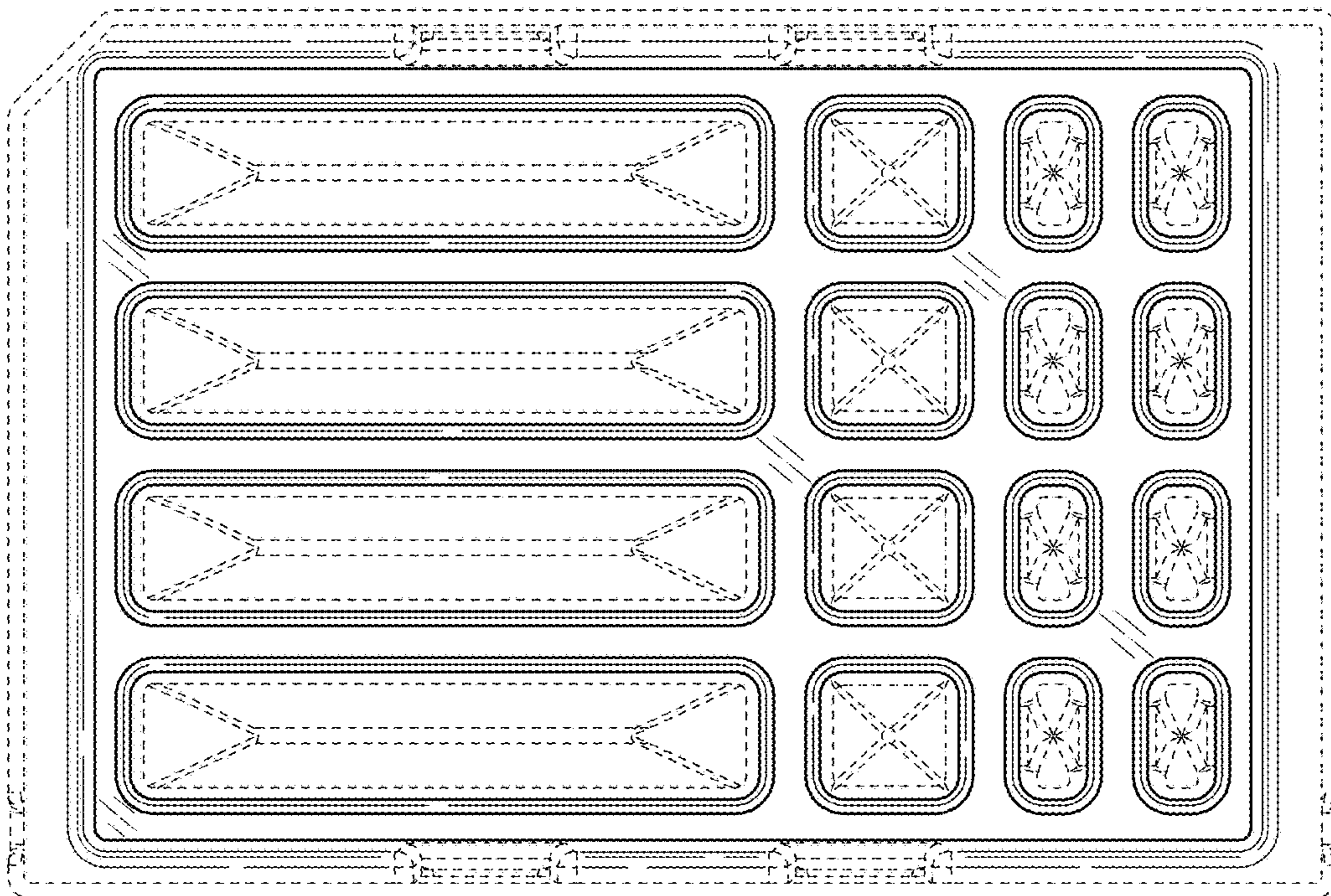


FIG. 7