



US00D832451S

(12) **United States Design Patent** (10) **Patent No.:** **US D832,451 S**  
**Geyer et al.** (45) **Date of Patent:** **\*\* Oct. 30, 2018**

(54) **LIGHT TREATMENT APPARATUS**

(71) Applicant: **POCKET SKY OG**, Vienna (AT)

(72) Inventors: **Michael Geyer**, Vienna (AT); **Mark Wallerberger**, Vienna (AT)

(73) Assignee: **POCKET SKY OG**, Vienna (AT)

(\*\*) Term: **15 Years**

(21) Appl. No.: **35/503,428**

(22) Filed: **Mar. 30, 2017**

(80) **Hague Agreement Data**

Int. Filing Date: **Mar. 30, 2017**

Int. Reg. No.: **DM/096945**

Int. Reg. Date: **Mar. 30, 2017**

Int. Reg. Pub. Date: **Jul. 28, 2017**

(51) **LOC (11) Cl.** ..... **24-03**

(52) **U.S. Cl.**  
USPC ..... **D24/209**

(58) **Field of Classification Search**

USPC ..... D24/209, 150, 133, 108, 155, 152, 231,  
D24/210, 176; D10/39, 70; D14/223;  
607/88, 89; 433/24

CPC .... A61M 21/00; A61N 5/0603; A61N 5/0617  
See application file for complete search history.

(56) **References Cited**

**U.S. PATENT DOCUMENTS**

6,350,275 B1 \* 2/2002 Vreman ..... A61M 21/00  
607/88  
D472,969 S \* 4/2003 Wilden ..... D24/133  
D613,408 S \* 4/2010 Gausmann ..... D24/150  
D617,443 S \* 6/2010 Grenon ..... D24/108  
D655,012 S \* 2/2012 Nanda ..... D24/176  
D660,974 S \* 5/2012 Jones ..... D24/209  
D691,278 S \* 10/2013 Aunio ..... D14/223  
D702,851 S \* 4/2014 Lee ..... D24/209  
D710,514 S \* 8/2014 Campbell ..... D24/209

D711,008 S \* 8/2014 Park ..... D24/209  
D712,561 S \* 9/2014 Hagenauer ..... D24/210  
D733,915 S \* 7/2015 Stuyfzand ..... D24/231  
D772,869 S \* 11/2016 Iizuka ..... D10/39  
D780,920 S \* 3/2017 Pukall ..... D24/152

(Continued)

*Primary Examiner* — Rhea Shields

(74) *Attorney, Agent, or Firm* — Collard & Roe, P.C.

(57) **CLAIM**

The ornamental design for a light treatment apparatus, as shown and described.

**DESCRIPTION**

1.-3. Light treatment apparatus

**1.1** : Right perspective

**1.2** : Back

**1.3** : Top

**1.4** : Left perspective

**1.5** : Bottom

**1.6** : Front

**2.1** : Right perspective

**2.2** : Back

**2.3** : Top

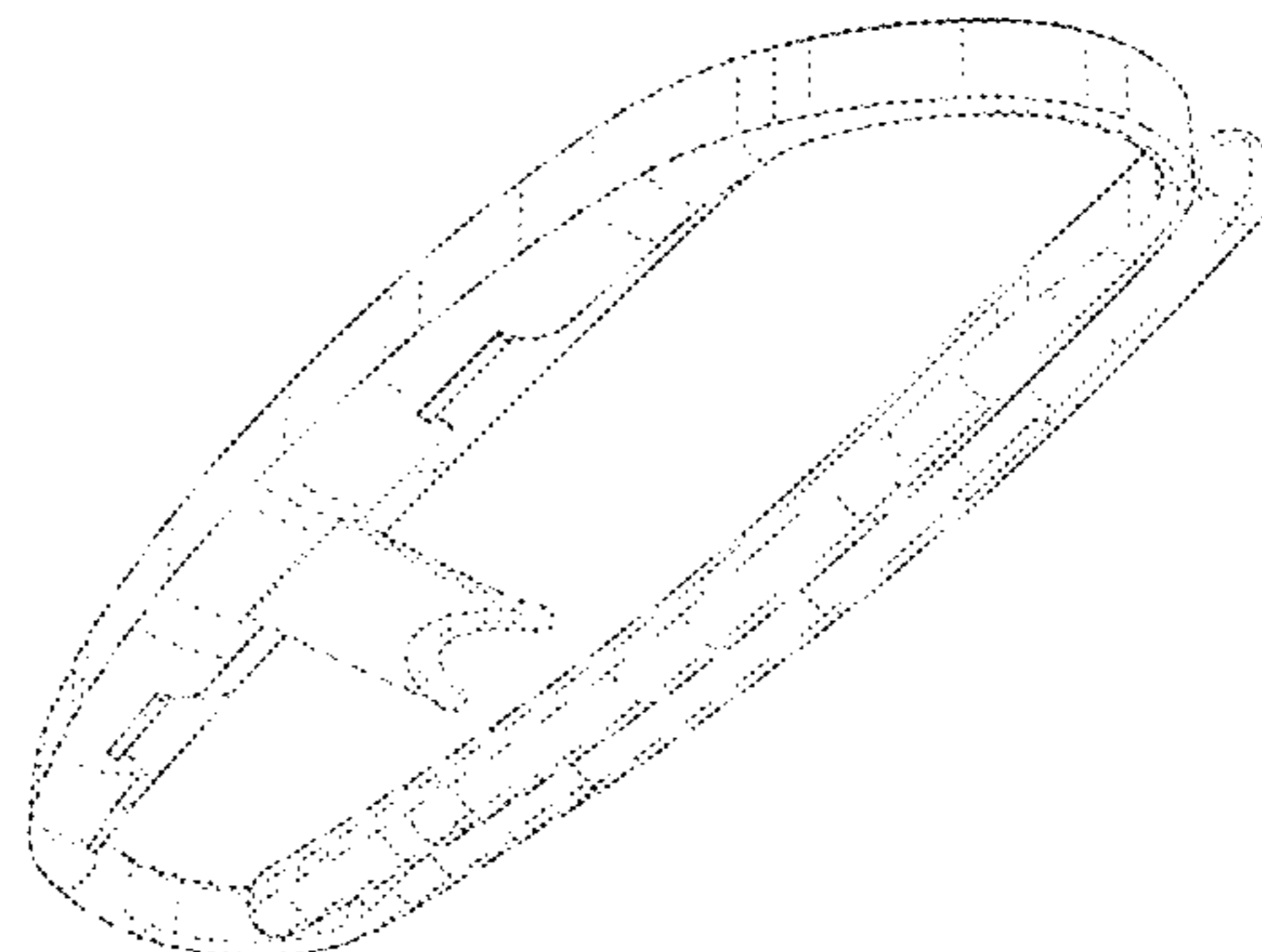
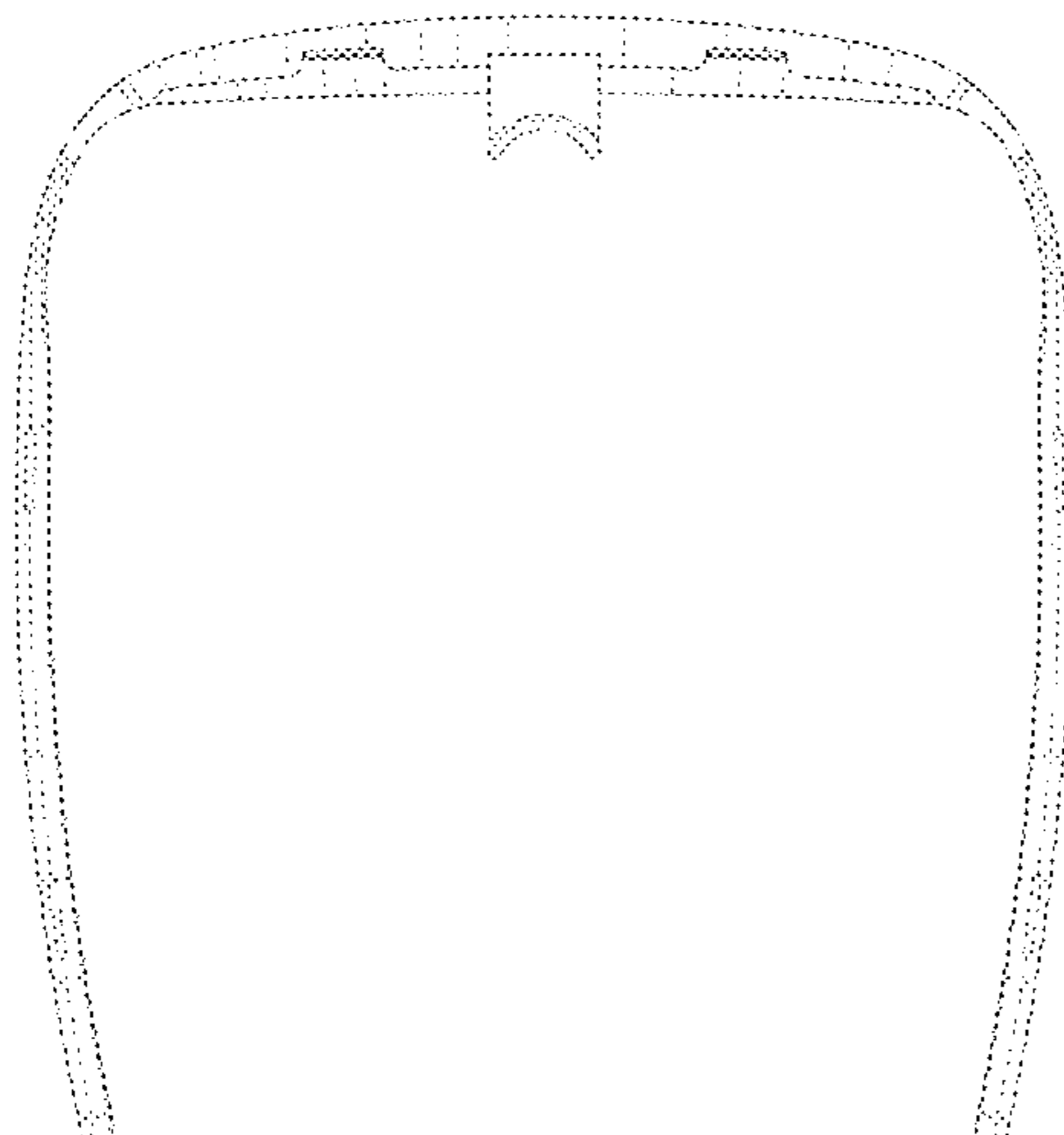
**2.4** : Left perspective

**2.5** : Bottom

**2.6** : Front

Design 1: fig. 1.1 is a right side perspective view of a light treatment apparatus in an open state showing our new design, the broken line illustration of the nose rest forms no part of the claimed design; fig. 1.2 is a rear view thereof; fig. 1.3 is a top view thereof; fig. 1.4 is a left side perspective view thereof; fig. 1.5 is a bottom view thereof; and, fig. 1.6 is a front view thereof; design 2: fig. 2.1 is a bottom right side perspective view of a light treatment apparatus in a closed state showing our new design, the broken line illustration of the nose rest forms no part of the claimed design; fig. 2.2 is a rear view thereof; fig. 2.3 is a top view thereof; fig. 2.4 is a top left side perspective view thereof; fig. 2.5 is a bottom view thereof; and, fig. 2.6 is a front view thereof.

**1 Claim, 12 Drawing Sheets**



(56)

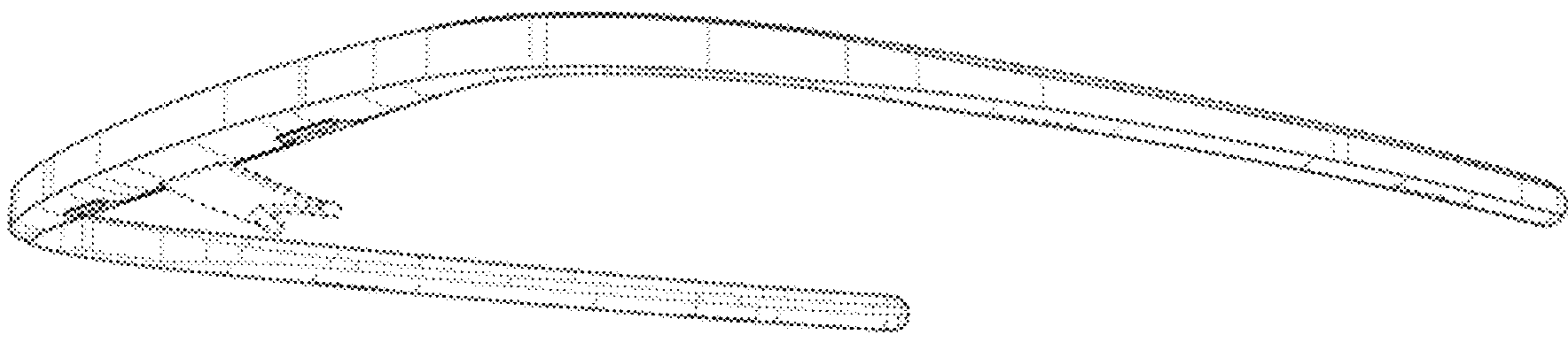
**References Cited**

U.S. PATENT DOCUMENTS

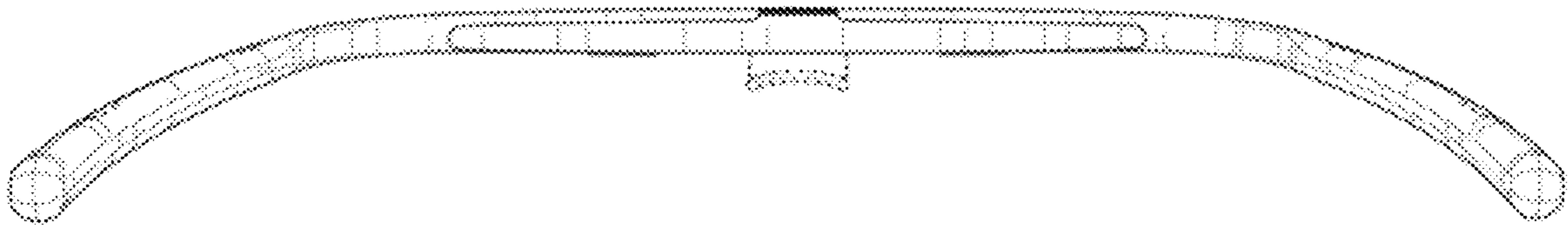
D790,374 S \* 6/2017 Lean ..... D10/39  
D802,453 S \* 11/2017 Page ..... D10/70  
D804,047 S \* 11/2017 Michaels ..... D24/209  
D814,634 S \* 4/2018 DaCosta ..... D24/155  
2008/0125835 A1 \* 5/2008 Laurent ..... A61N 5/0617  
607/89  
2013/0280671 A1 \* 10/2013 Brawn ..... A61N 5/0603  
433/24

\* cited by examiner

**1.1**



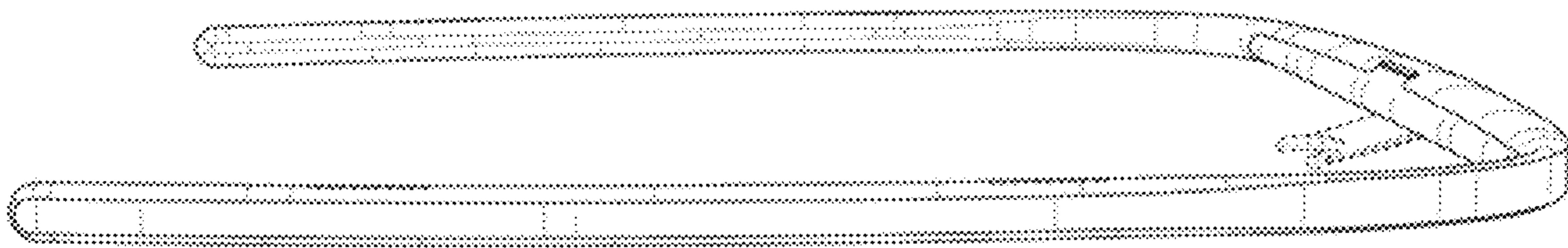
1.2



1.3



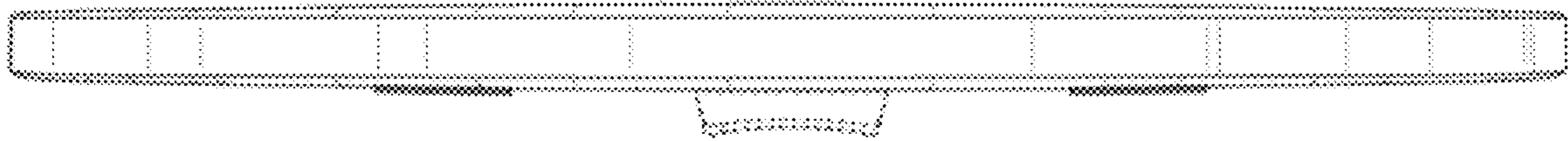
1.4



1.5

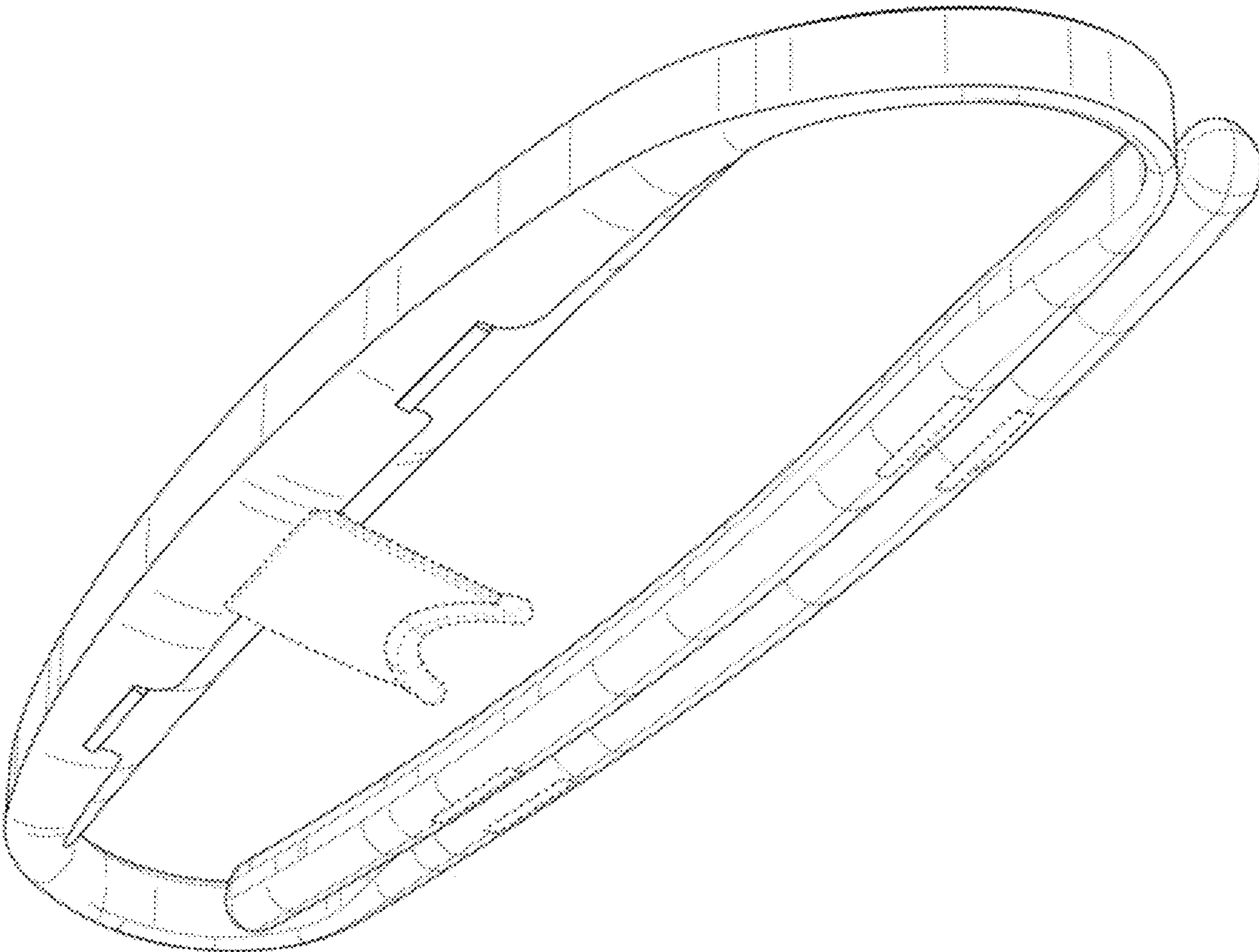


1.6

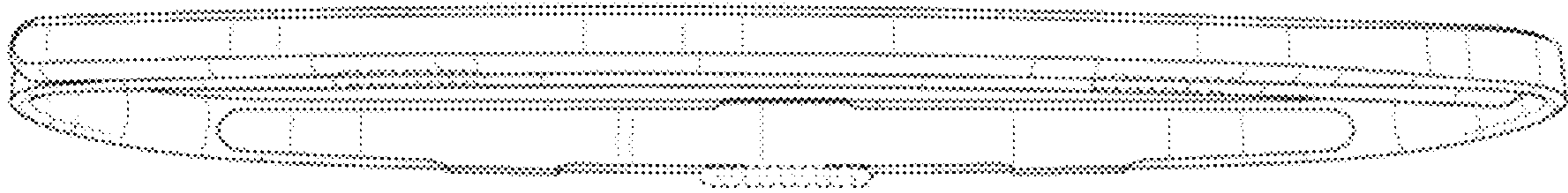




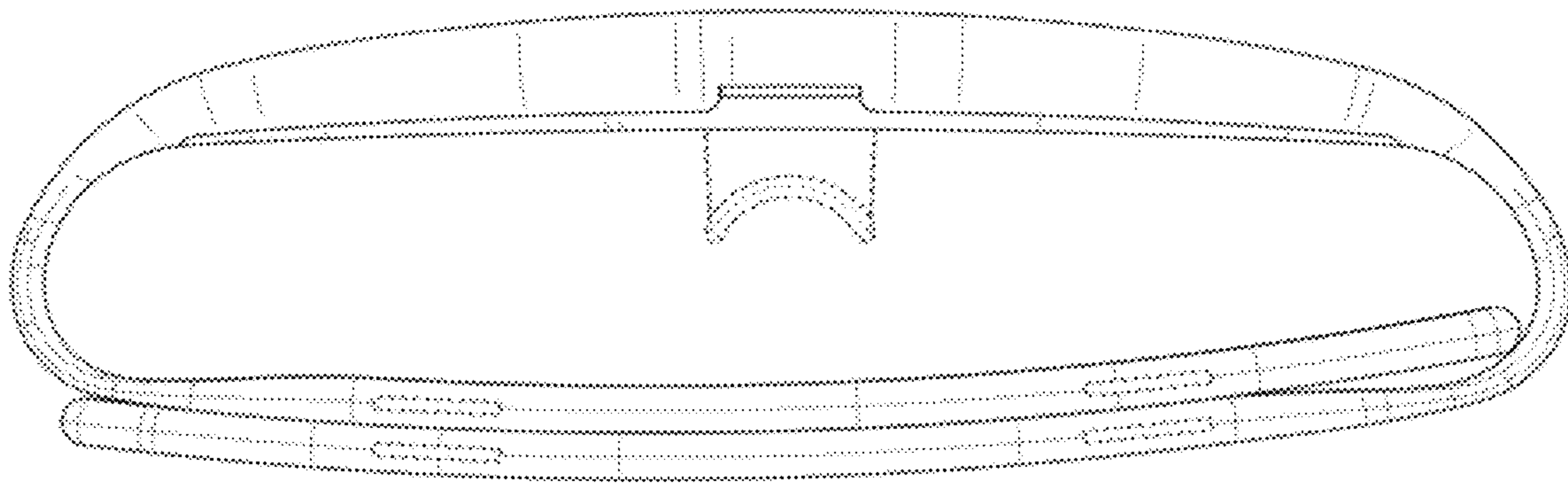
2.1



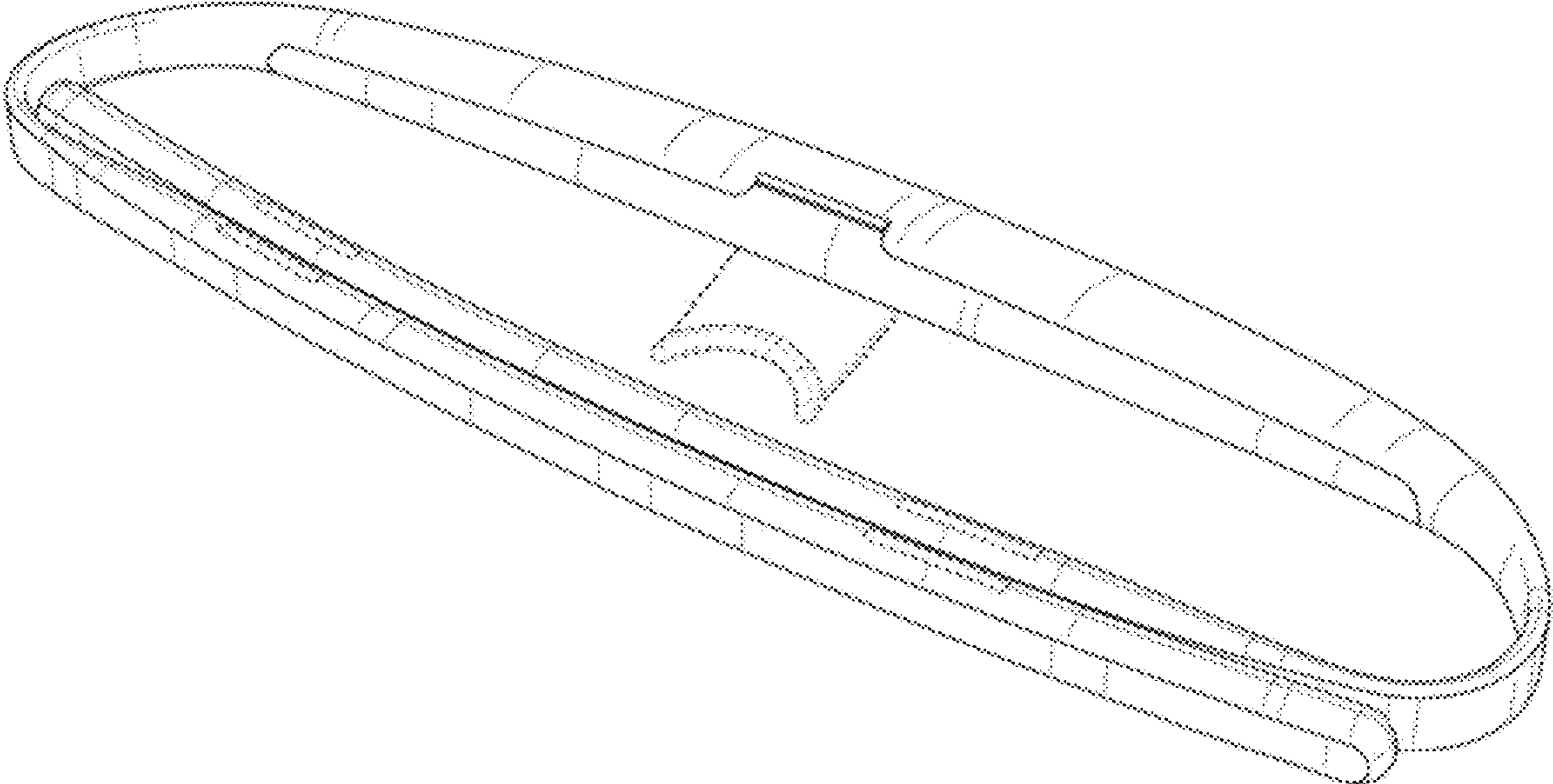
**2.2**



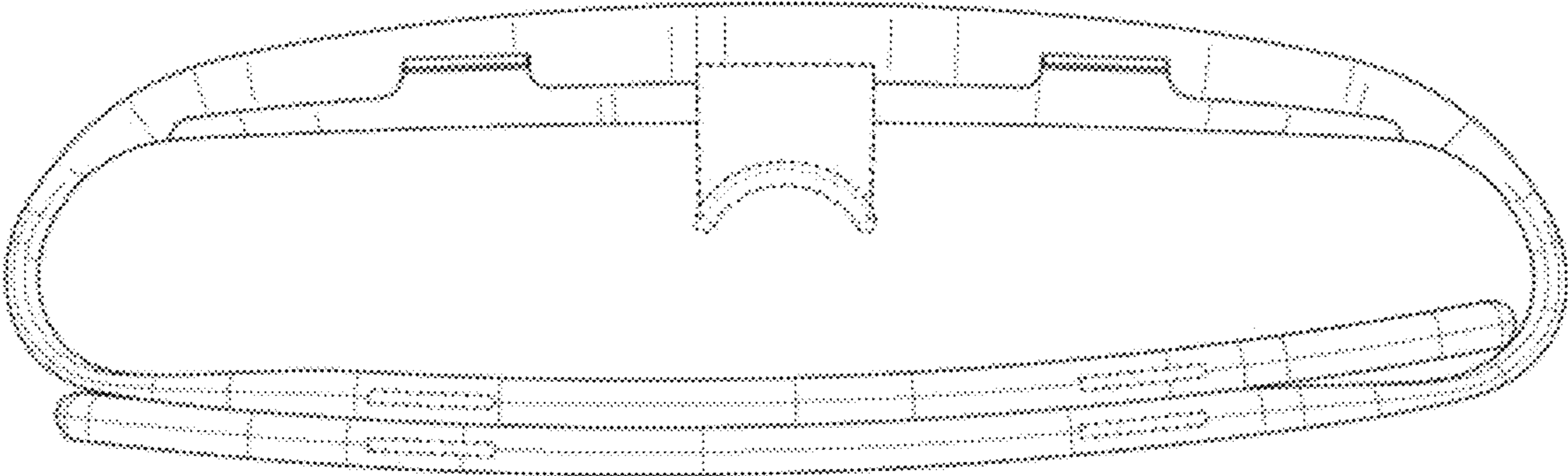
2.3



2.4



2.5



2.6

