



US00D832450S

(12) **United States Design Patent** (10) **Patent No.:** **US D832,450 S**
Lee (45) **Date of Patent:** **** Oct. 30, 2018**

(54) **LIGHT-MAGNETISM HARMONIZER**

(71) Applicant: **Chung-Ming Lee**, Taichung (TW)

(72) Inventor: **Wen-Pin Lee**, Taichung (TW)

(73) Assignee: **CHUNG-MING LEE**, Taichung (TW)

(**) Term: **15 Years**

(21) Appl. No.: **29/613,300**

(22) Filed: **Aug. 9, 2017**

(51) **LOC (11) Cl.** **28-03**

(52) **U.S. Cl.**
USPC **D24/209**

(58) **Field of Classification Search**
USPC D24/107, 158, 185, 186, 188, 200, 209,
D24/210, 213, 215, 231; D26/93, 104,
D26/63
CPC A61N 2/002; A61N 2/006; A61N 5/06;
A61N 2005/0654; A61N 2005/0659
See application file for complete search history.

(56) **References Cited**

U.S. PATENT DOCUMENTS

D392,407 S *	3/1998	Johnson	D26/104
D400,258 S *	10/1998	Bolleter	D24/210
6,589,159 B2 *	7/2003	Paturu	A61N 2/06 600/15
D509,300 S *	9/2005	Muller	D24/209
D520,143 S *	5/2006	Yoneda	D24/209
7,361,917 B2 *	4/2008	Yabiku	A61N 5/06 250/504 R
D691,278 S *	10/2013	Aunio	D24/210
D774,658 S *	12/2016	Andersen	D24/210

D788,344 S *	5/2017	Gecchelin	D26/63
D797,302 S *	9/2017	Vahlensieck	D24/209
D799,093 S *	10/2017	Terumichi	D26/63
D810,955 S *	2/2018	Miklavc	D24/215
2015/0335911 A1 *	11/2015	Rogers	A61N 5/0616 607/88

* cited by examiner

Primary Examiner — Anhdao Doan

(74) *Attorney, Agent, or Firm* — Muncy, Geissler, Olds & Lowe, P.C.

(57) **CLAIM**

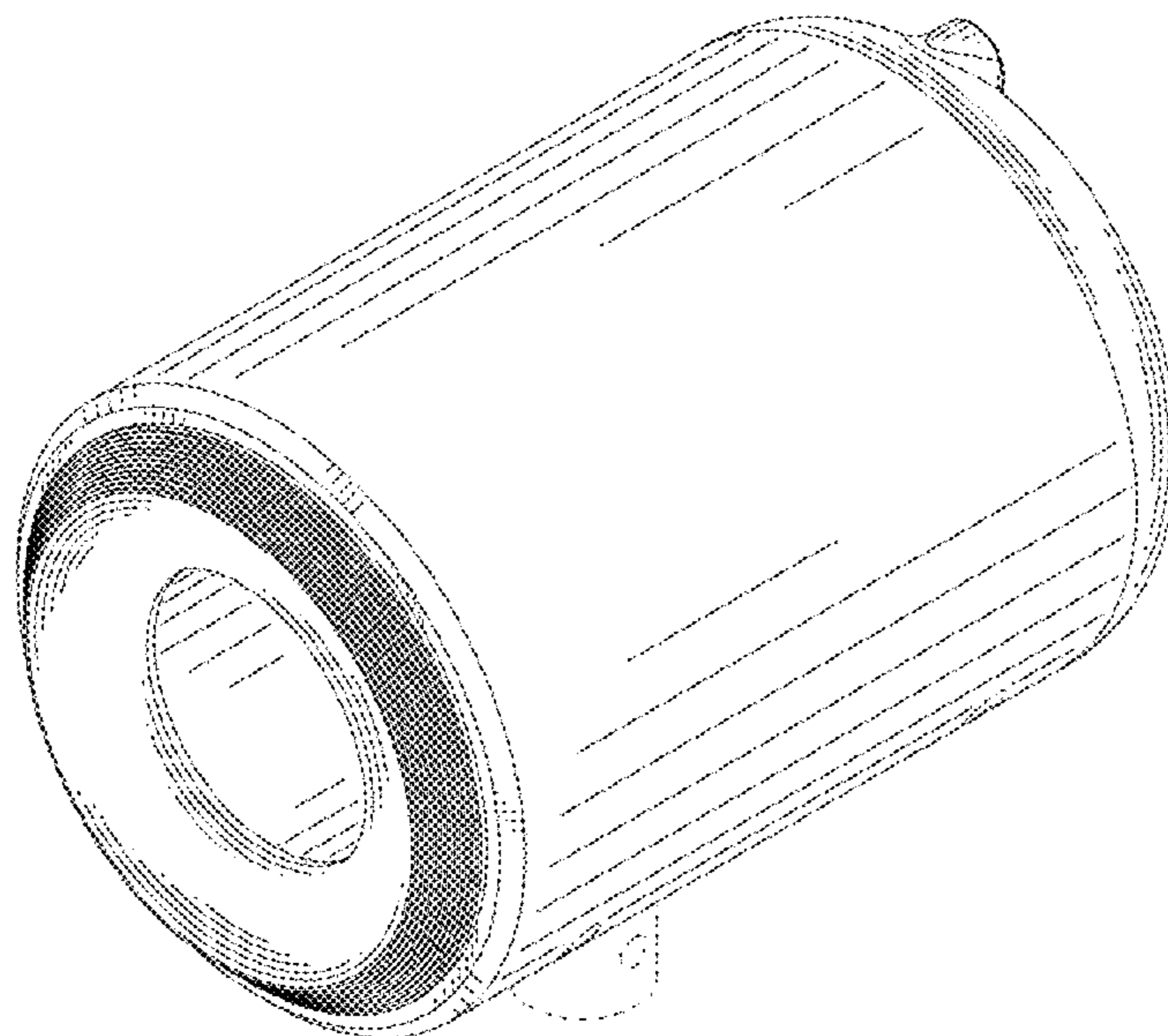
I claim the ornamental design for a light-magnetism harmonizer, as shown and described.

DESCRIPTION

FIG. 1 is a front, right, and top perspective view of a light-magnetism harmonizer showing my new design; FIG. 2 is a front elevational view thereof; FIG. 3 is a rear elevational view thereof; FIG. 4 is a left side view thereof; FIG. 5 is a right side view thereof; FIG. 6 is a top plan view thereof; FIG. 7 is a bottom plan view thereof; FIG. 8 is a right, rear, and bottom perspective view thereof; FIG. 9 is a cross-sectional view of the light-magnetism harmonizer, taken along line 9-9 in FIG. 2 thereof; and, FIG. 10 is a perspective view of the light-magnetism harmonizer in use.

The broken lines in the drawings illustrate portions of the light-magnetism harmonizer which form no part of the claimed design.

1 Claim, 10 Drawing Sheets



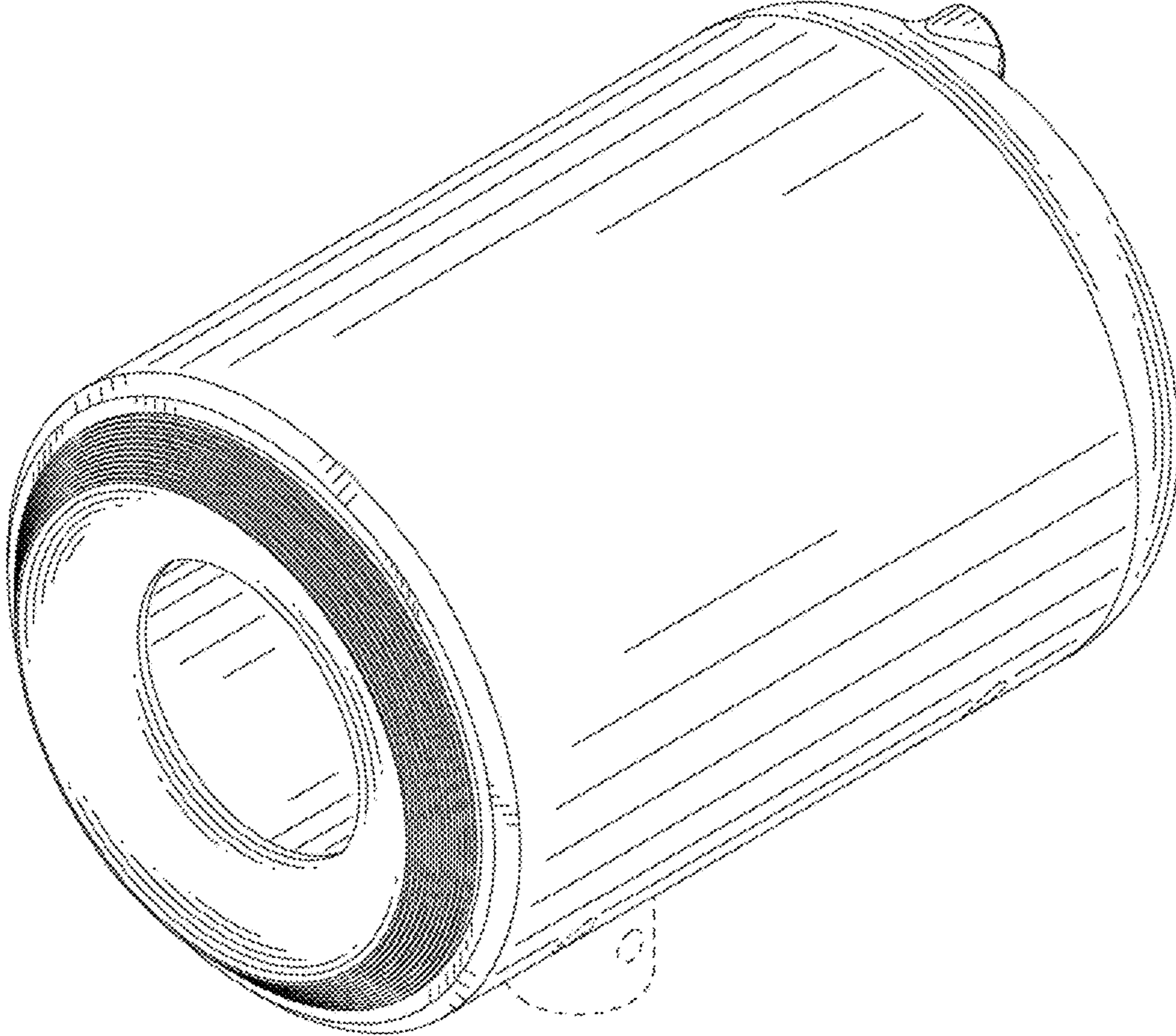


FIG. 1

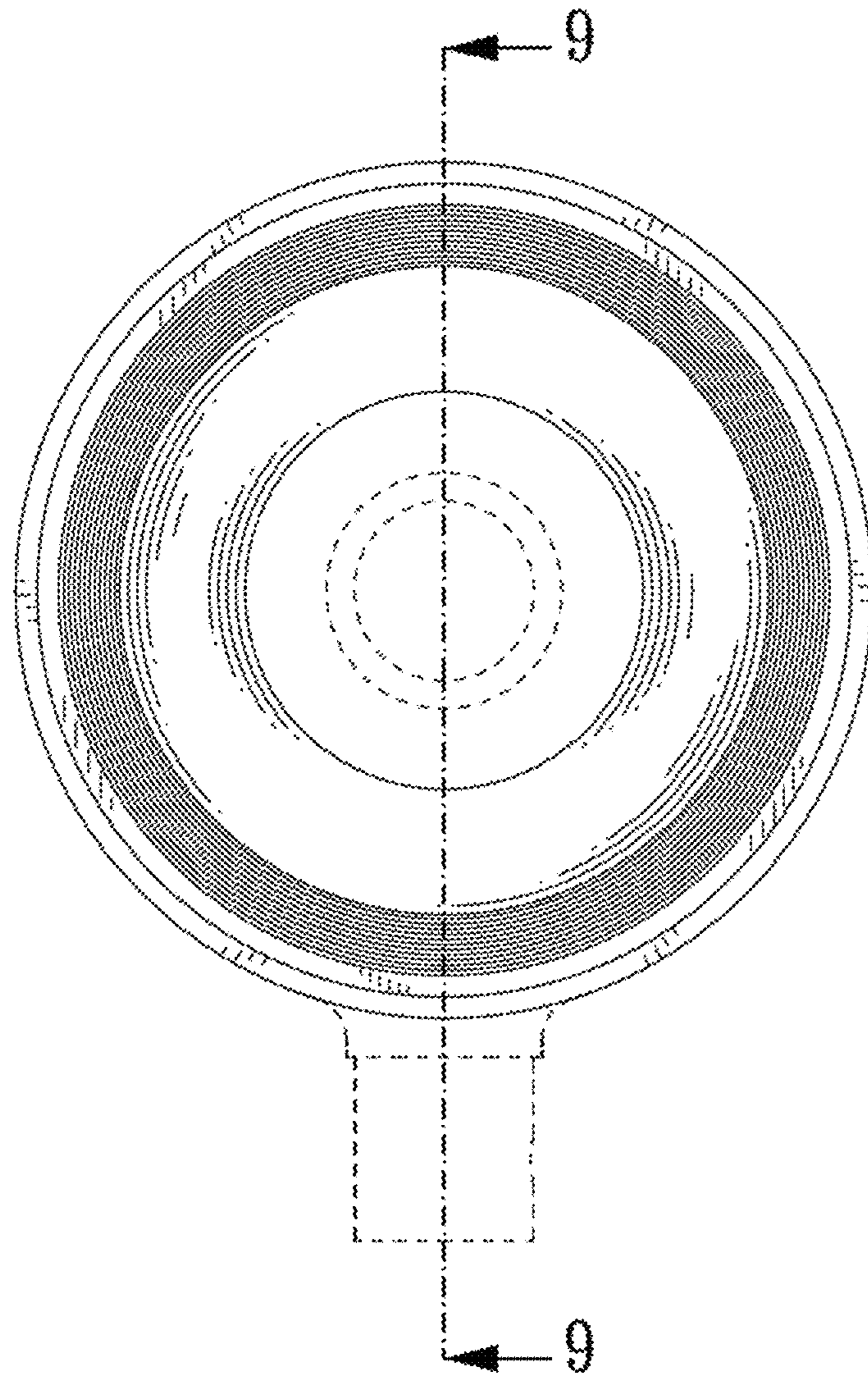


FIG. 2

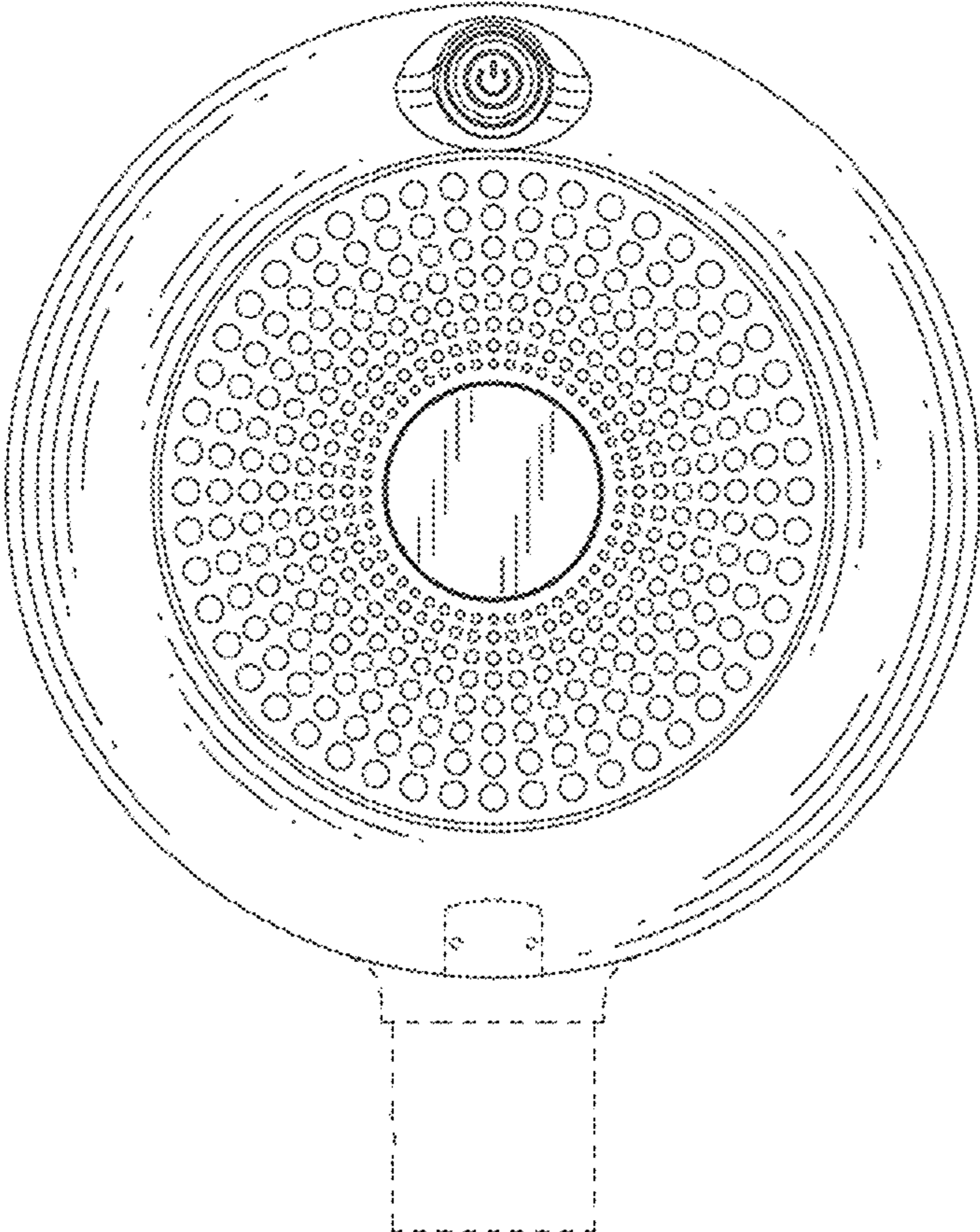


FIG. 3

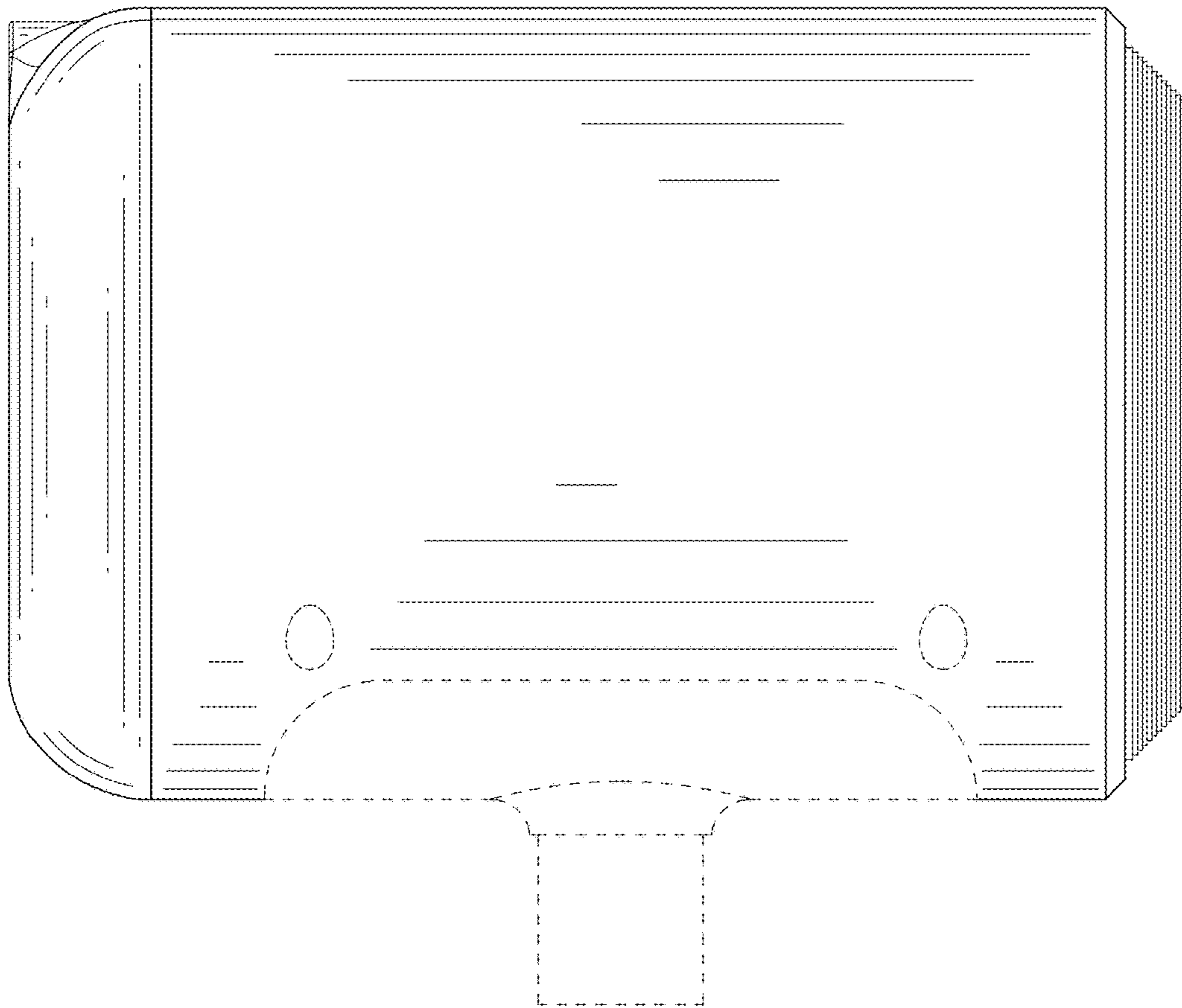


FIG. 4

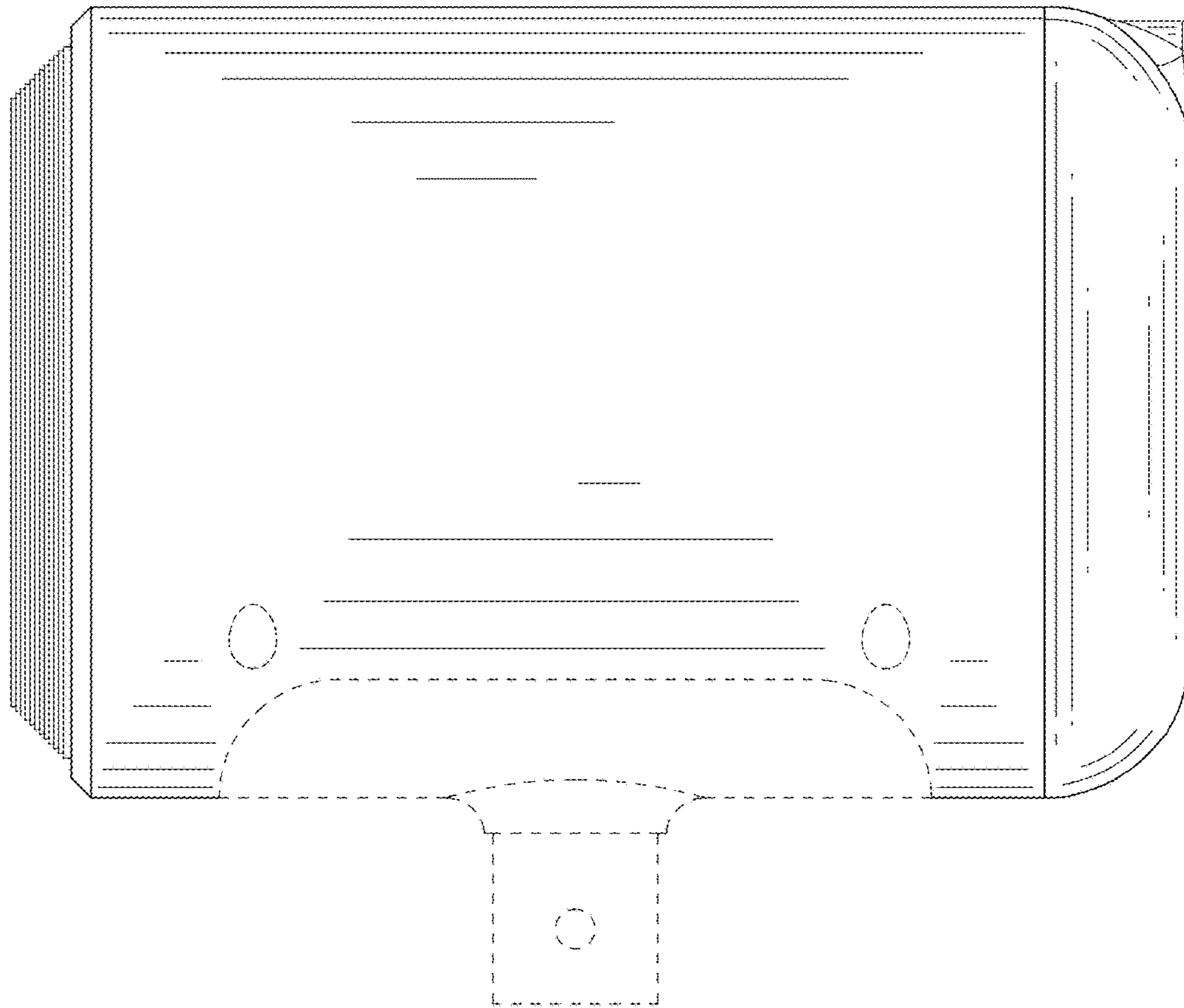


FIG. 5

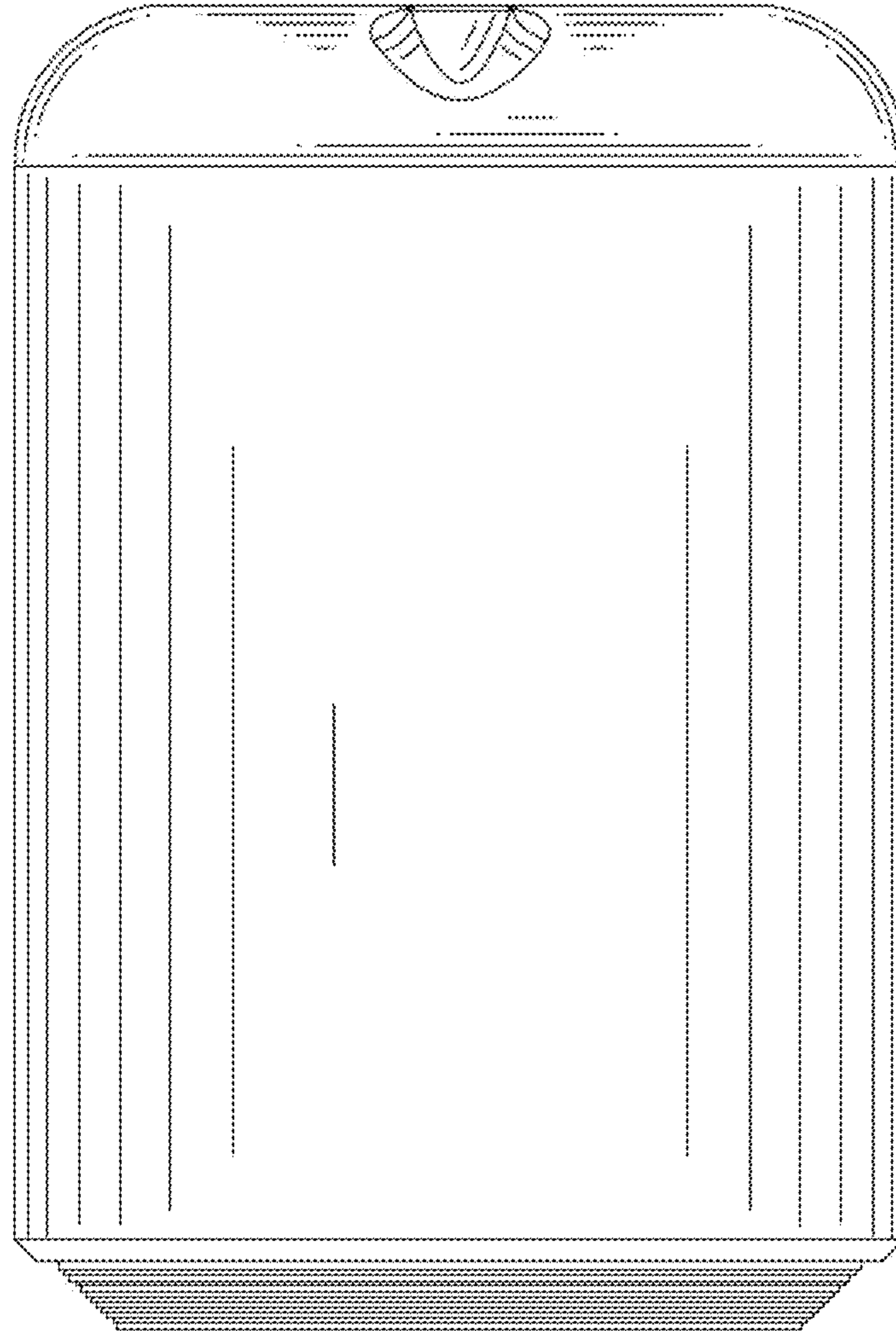


FIG. 6

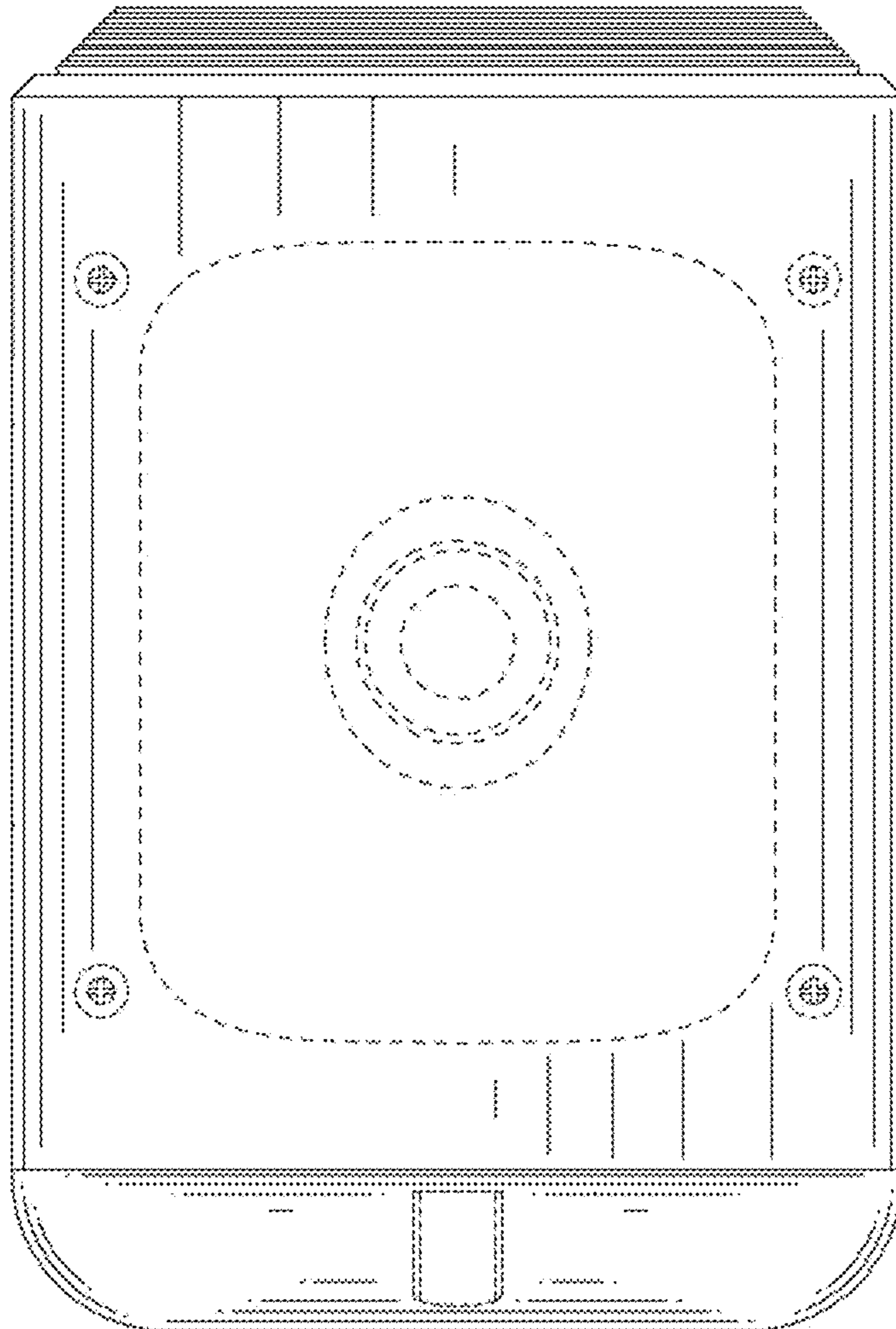


FIG. 7

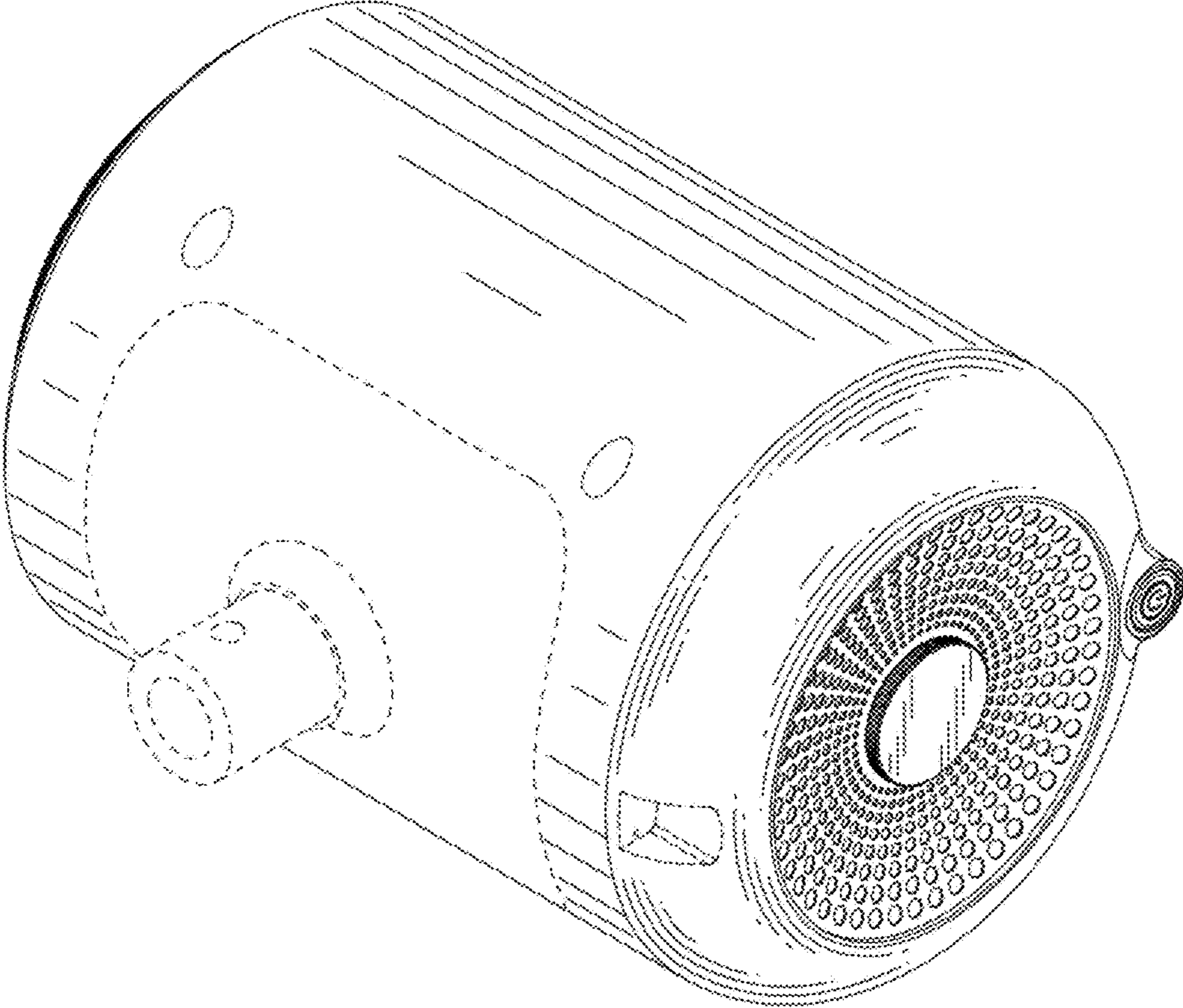


FIG. 8

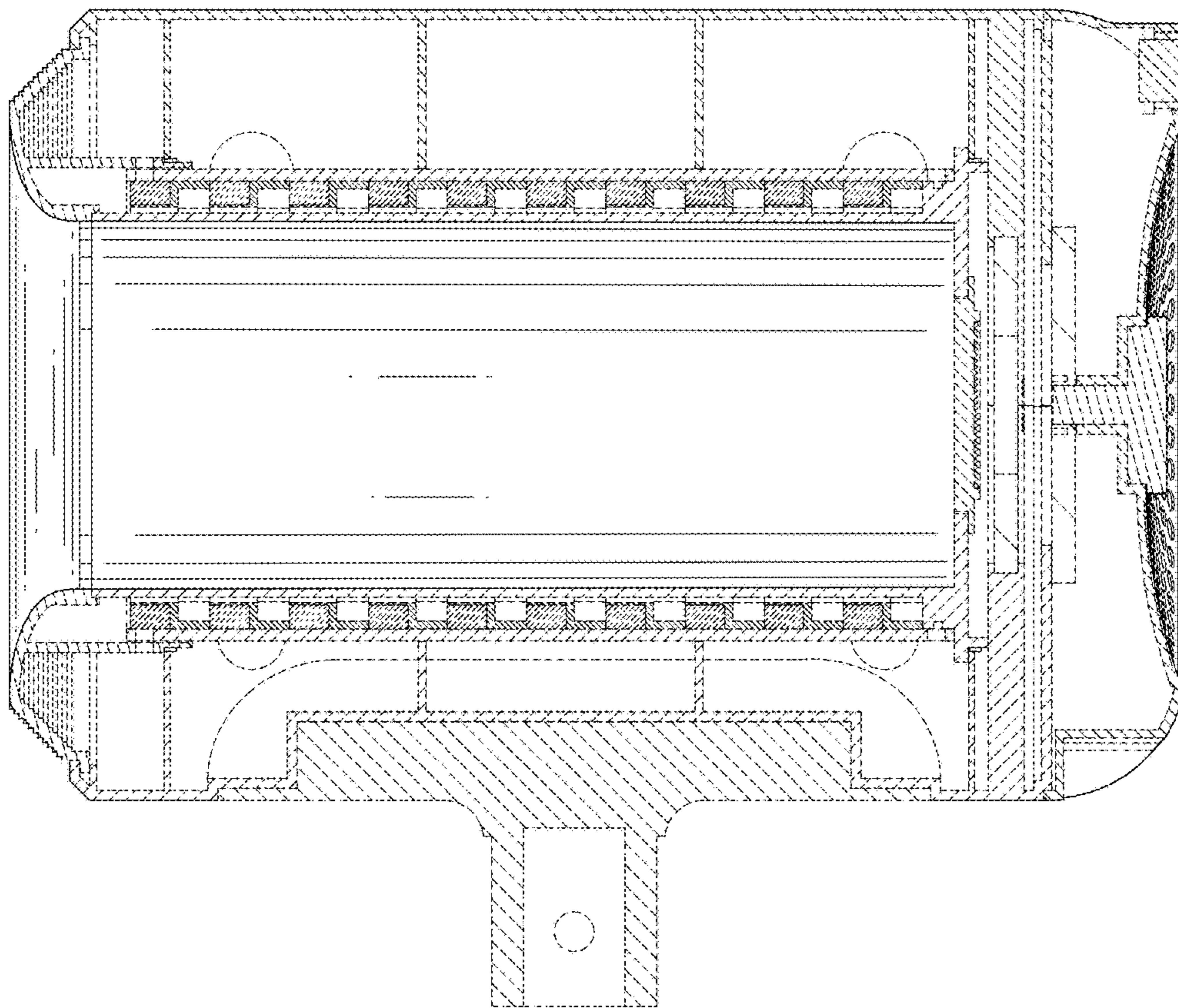


FIG. 9

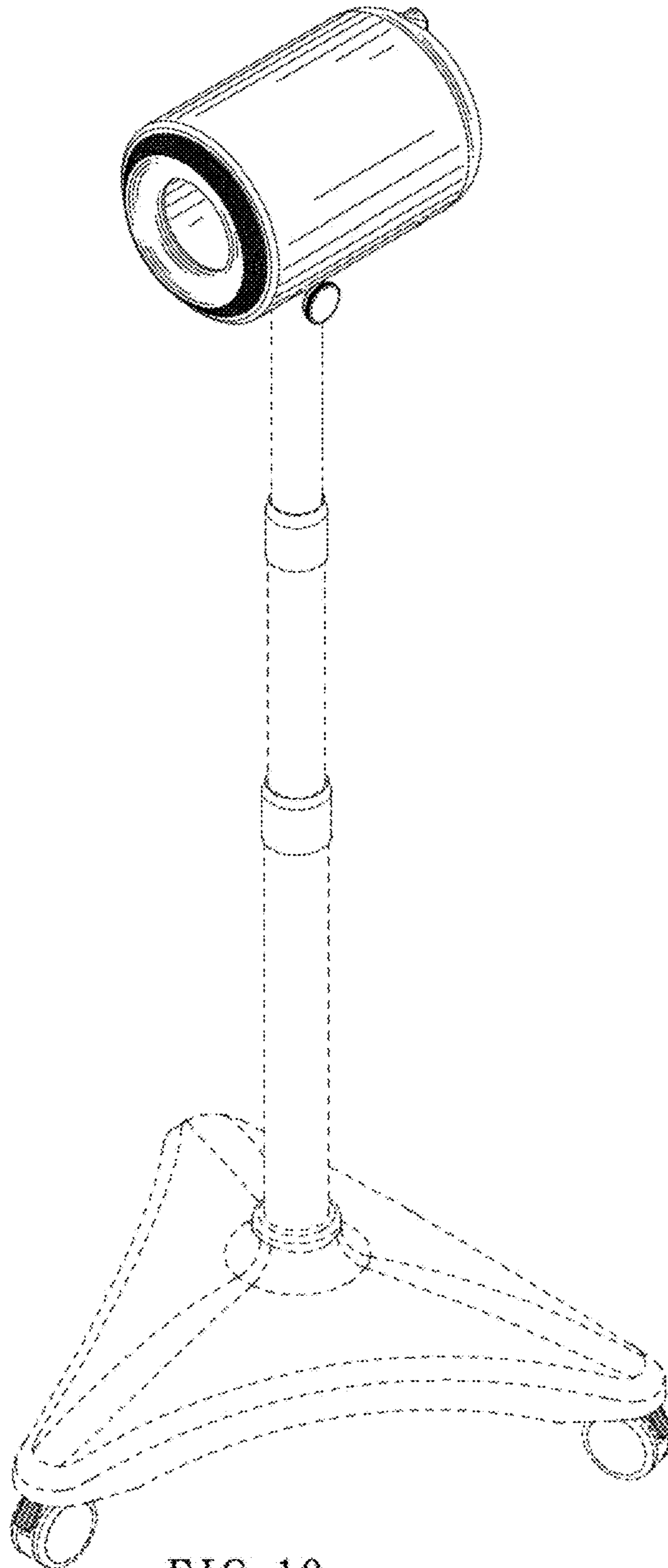


FIG. 10