



US00D832449S

(12) **United States Design Patent** (10) **Patent No.:** **US D832,449 S**
Dovrin et al. (45) **Date of Patent:** **** Oct. 30, 2018**

(54) **DISPOSABLE INSERT FOR USE WITH TREATMENT DEVICES**
 (71) Applicant: **LUMENIS LTD., Yokneam Ilit (IL)**
 (72) Inventors: **Boaz Dovrin, Binyamina (IL); Eyal Benisty, Kfar Hachoshesh (IL)**
 (73) Assignee: **LUMENIS LTD., Yokneam (IL)**
 (**) Term: **15 Years**

8,043,348 B2 * 10/2011 Weber A61H 39/00
 606/13
 8,206,406 B2 * 6/2012 Orban, III A61B 19/2203
 600/102
 D670,397 S * 11/2012 Ely D24/209
 D676,960 S * 2/2013 Flyash D24/133
 D713,537 S * 9/2014 Ben-Haim D24/200
 D771,051 S * 11/2016 Beck D13/108
 D777,917 S * 1/2017 Kabra D24/144
 D784,536 S * 4/2017 Freudenthal D24/140
 D796,976 S * 9/2017 Worden D10/75
 2015/0202008 A1 * 7/2015 Grant A61B 18/22
 606/11

(21) Appl. No.: **29/590,779**
 (22) Filed: **Jan. 13, 2017**
 (51) **LOC (11) Cl.** **28-03**
 (52) **U.S. Cl.**
 USPC **D24/209**
 (58) **Field of Classification Search**
 USPC D24/107, 108, 122, 133, 137-138, 140,
 D24/142, 144, 186, 187, 231, 232,
 D24/209-210, 200, 158; D10/75;
 D14/433, 434; D8/72, 349, 380; 606/1,
 606/10, 11, 13, 131, 31, 16, 2-4, 9;
 607/88-95, 100, 101; 604/20, 22
 CPC ... A61B 18/20; A61B 18/2005; A61B 18/201;
 A61B 18/2015; A61B 18/203; A61B
 18/2035; A61N 2005/67
 See application file for complete search history.

* cited by examiner

Primary Examiner — Anhdao Doan
Assistant Examiner — Mary Shannon Malley
 (74) *Attorney, Agent, or Firm* — ISUS Intellectual
 Property PLL; A. Jason Mirabito

(57) **CLAIM**

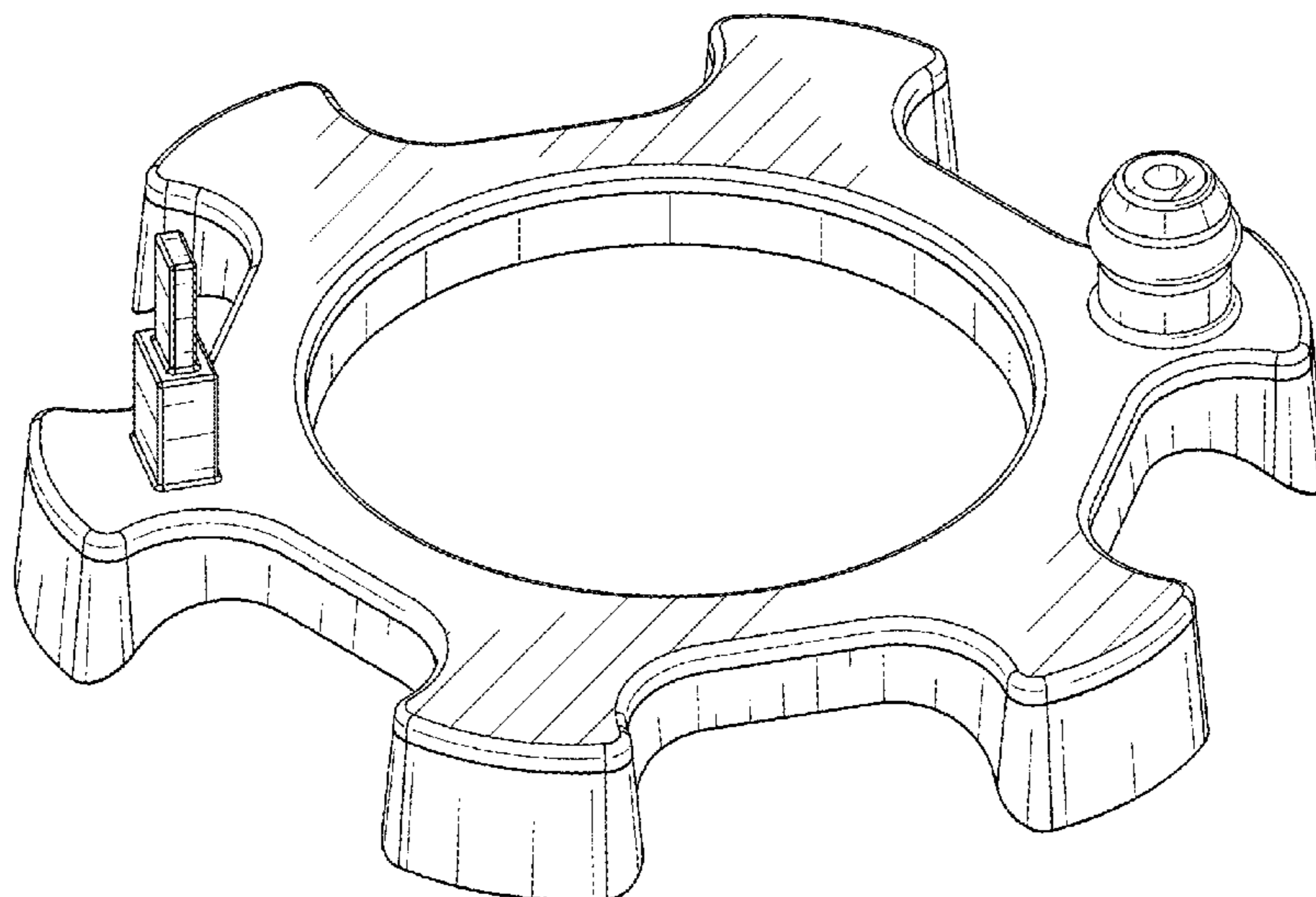
The ornamental design for a disposable insert for use with treatment devices, as shown and described.

DESCRIPTION

FIG. 1 is a front perspective view of the new design.
 FIG. 2 is a front view of the new design.
 FIG. 3 is a rear view of the new design.
 FIG. 4 is a right side view of the new design.
 FIG. 5 is a left side view of the new design.
 FIG. 6 is a top view of the new design; and,
 FIG. 7 is a bottom view of the new design.
 The broken lines show portions of the disposable insert for use with treatment devices that form no part of the claimed design.

(56) **References Cited**
 U.S. PATENT DOCUMENTS
 D242,265 S * 11/1976 Ryder et al. 422/311
 D604,843 S * 11/2009 Braynin D24/133
 D608,881 S * 1/2010 Ramstad D24/108

1 Claim, 5 Drawing Sheets



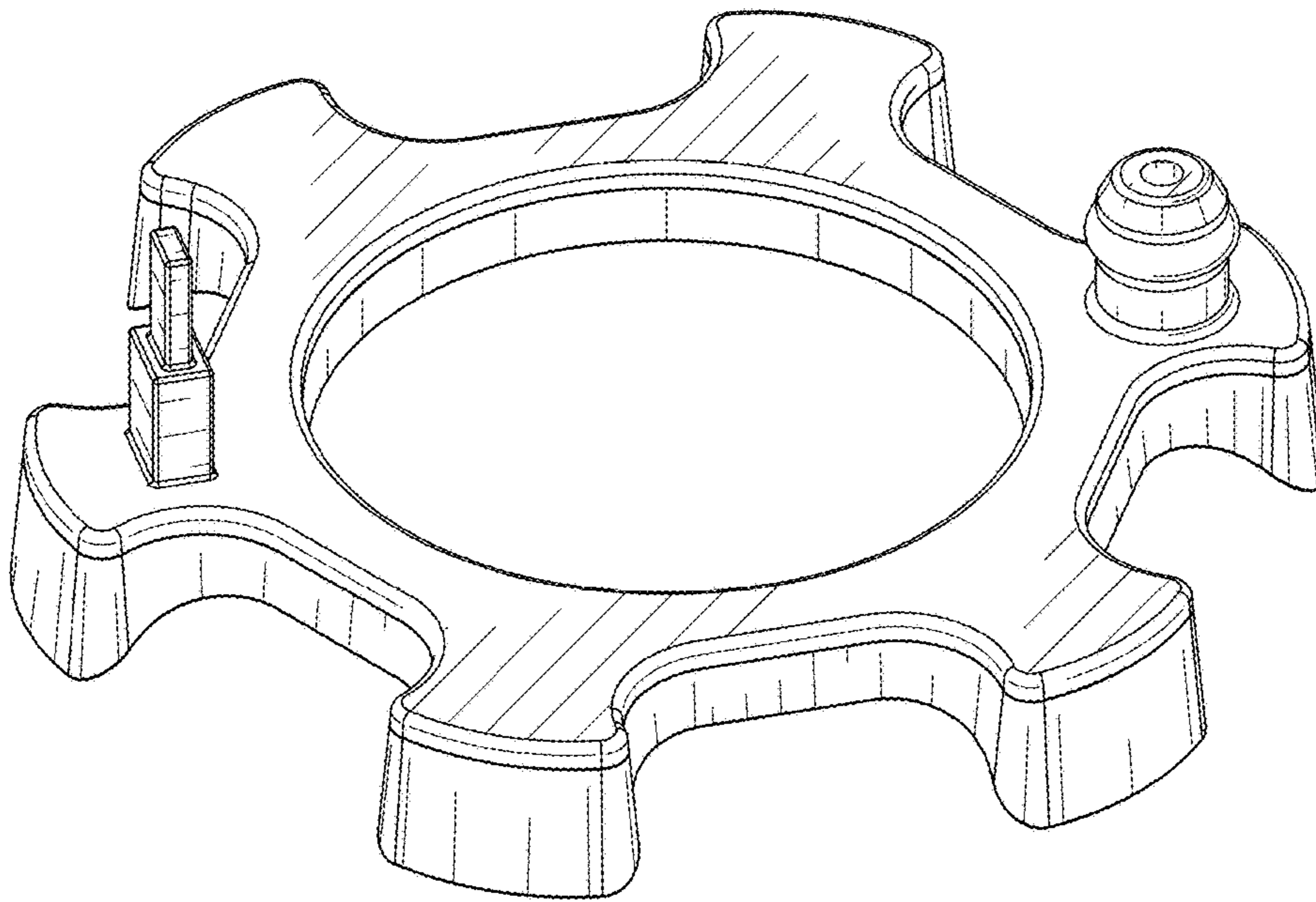


FIG.1

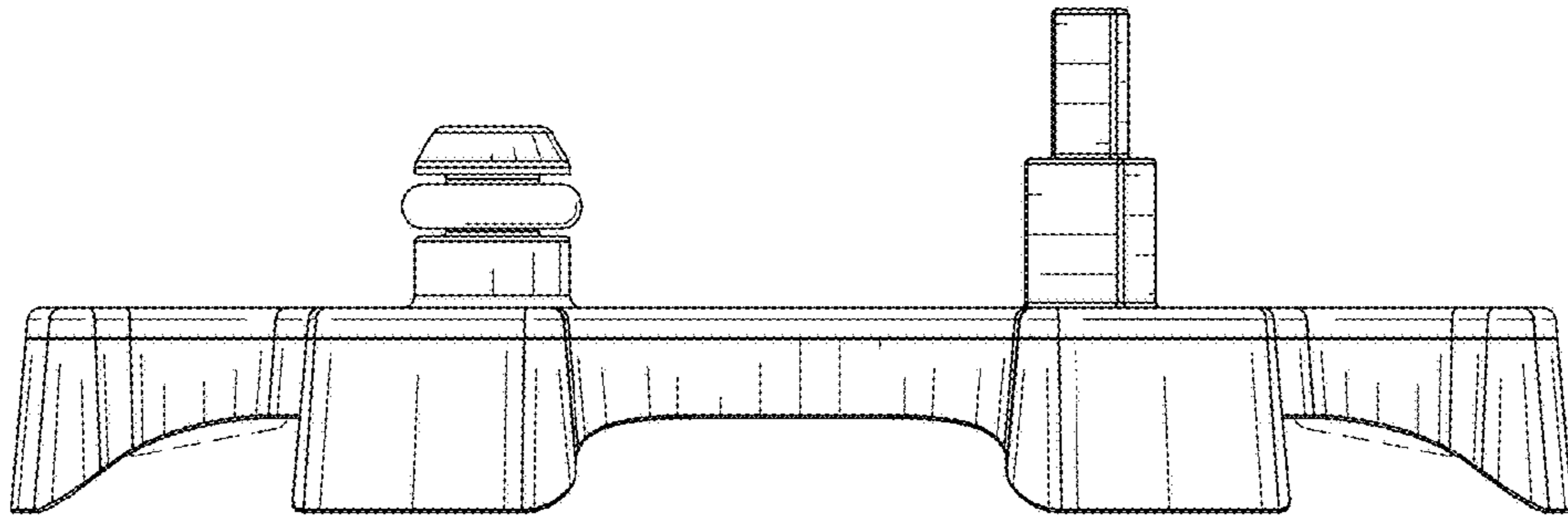


FIG. 2

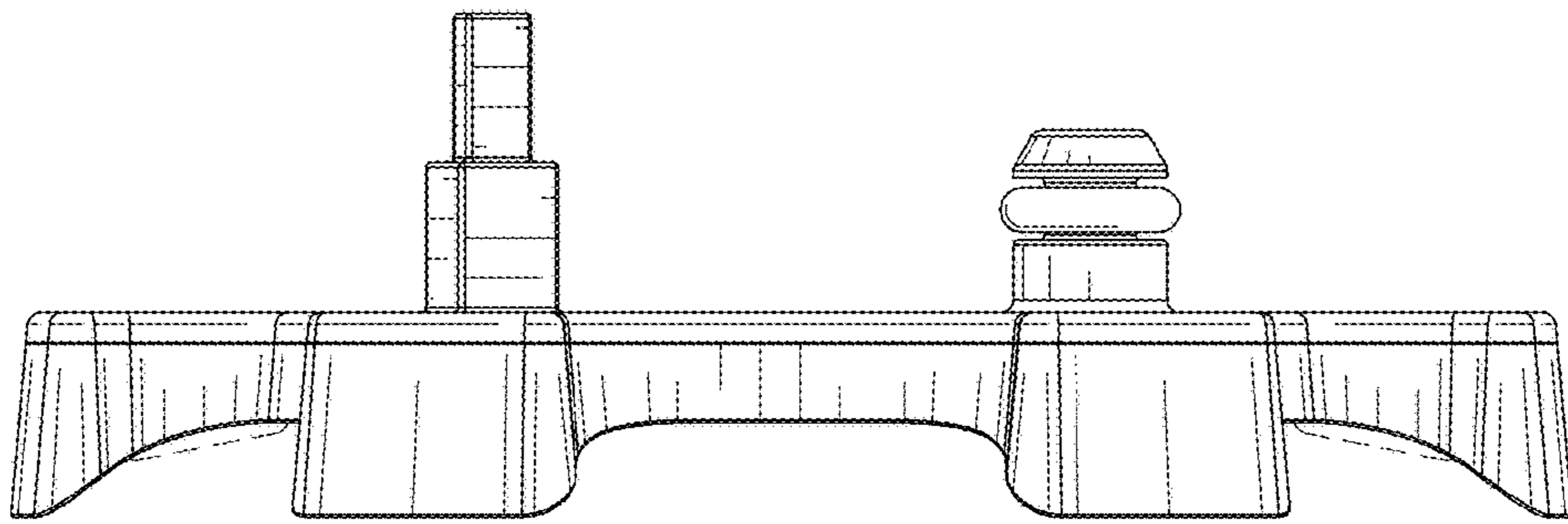


FIG. 3

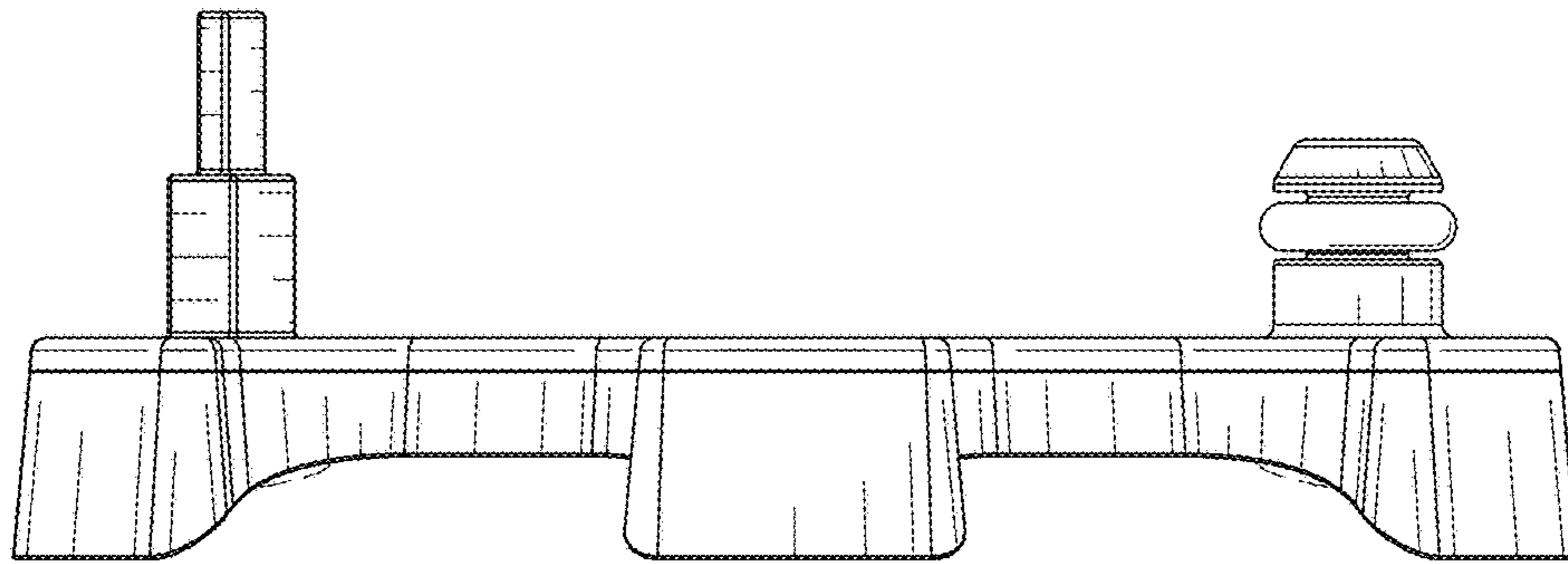


FIG. 4

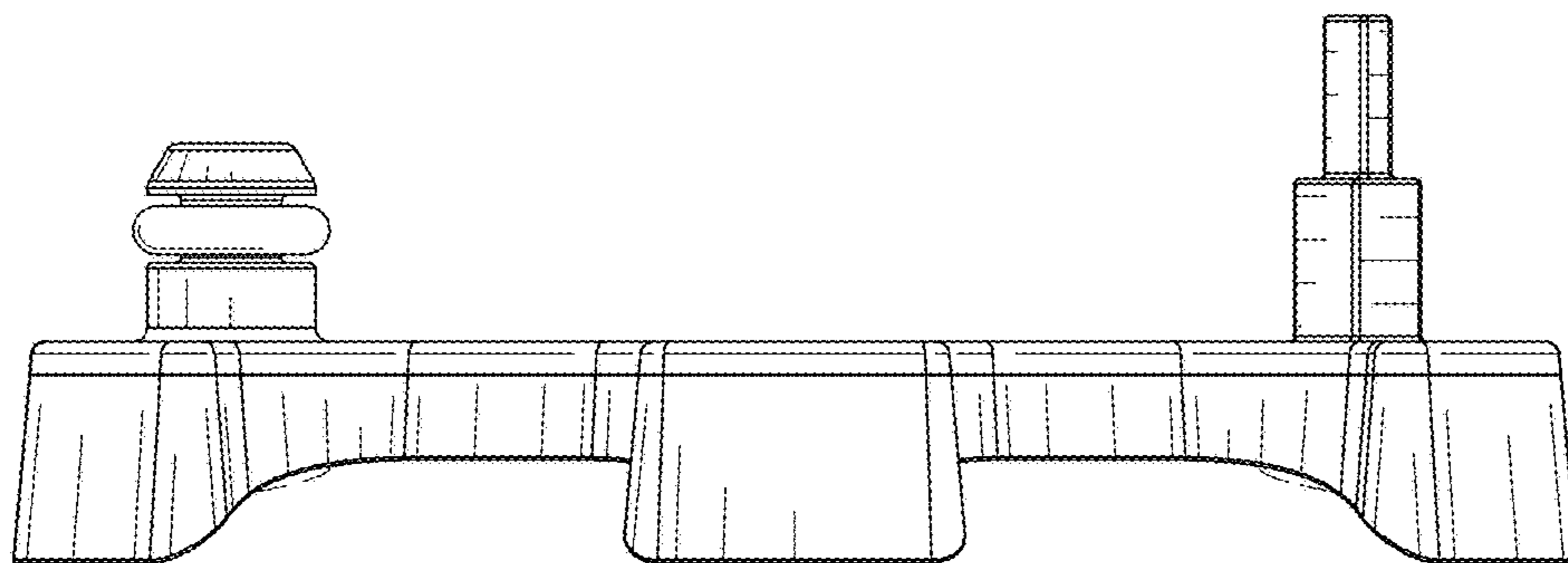


FIG. 5

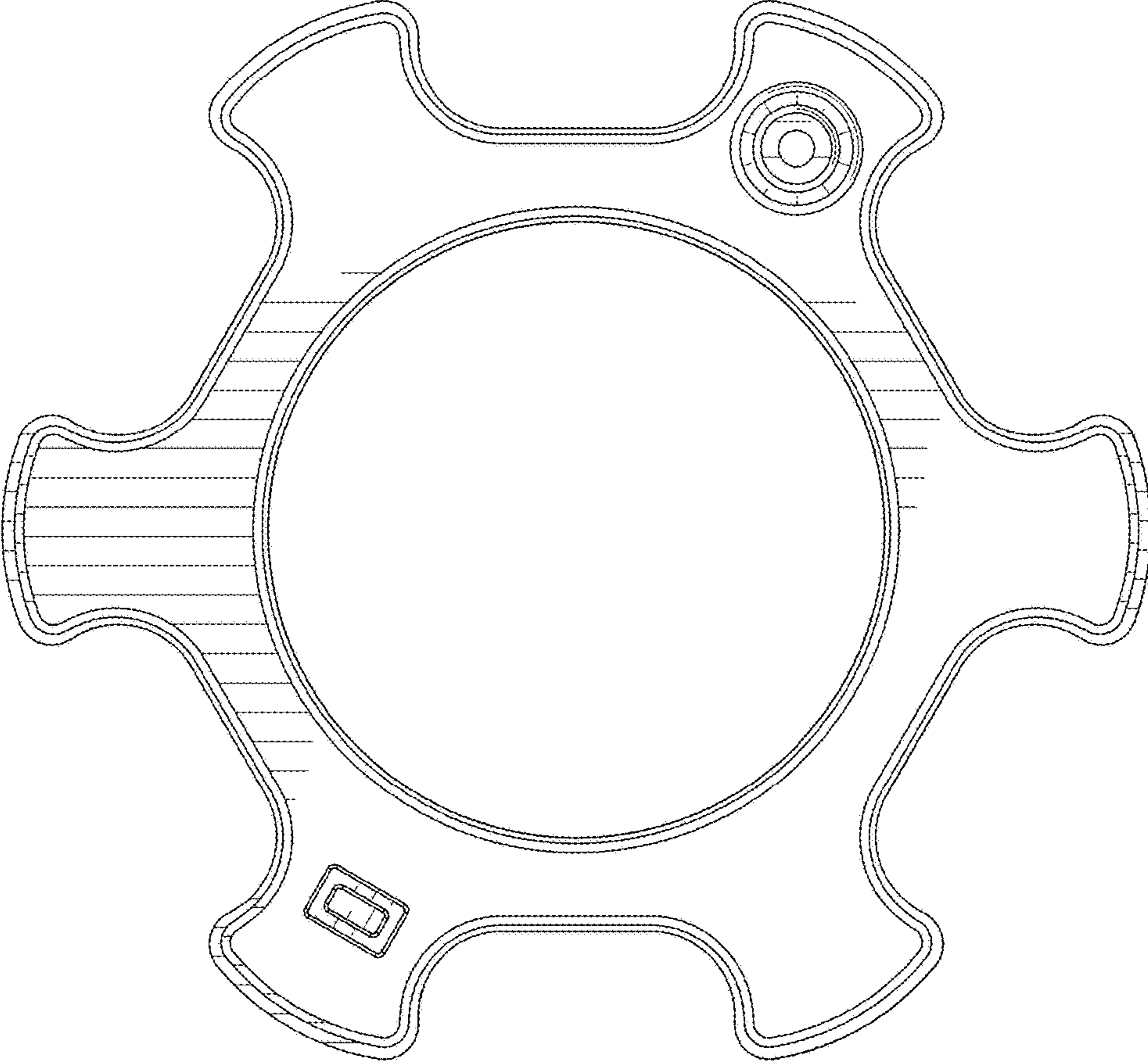


FIG.6

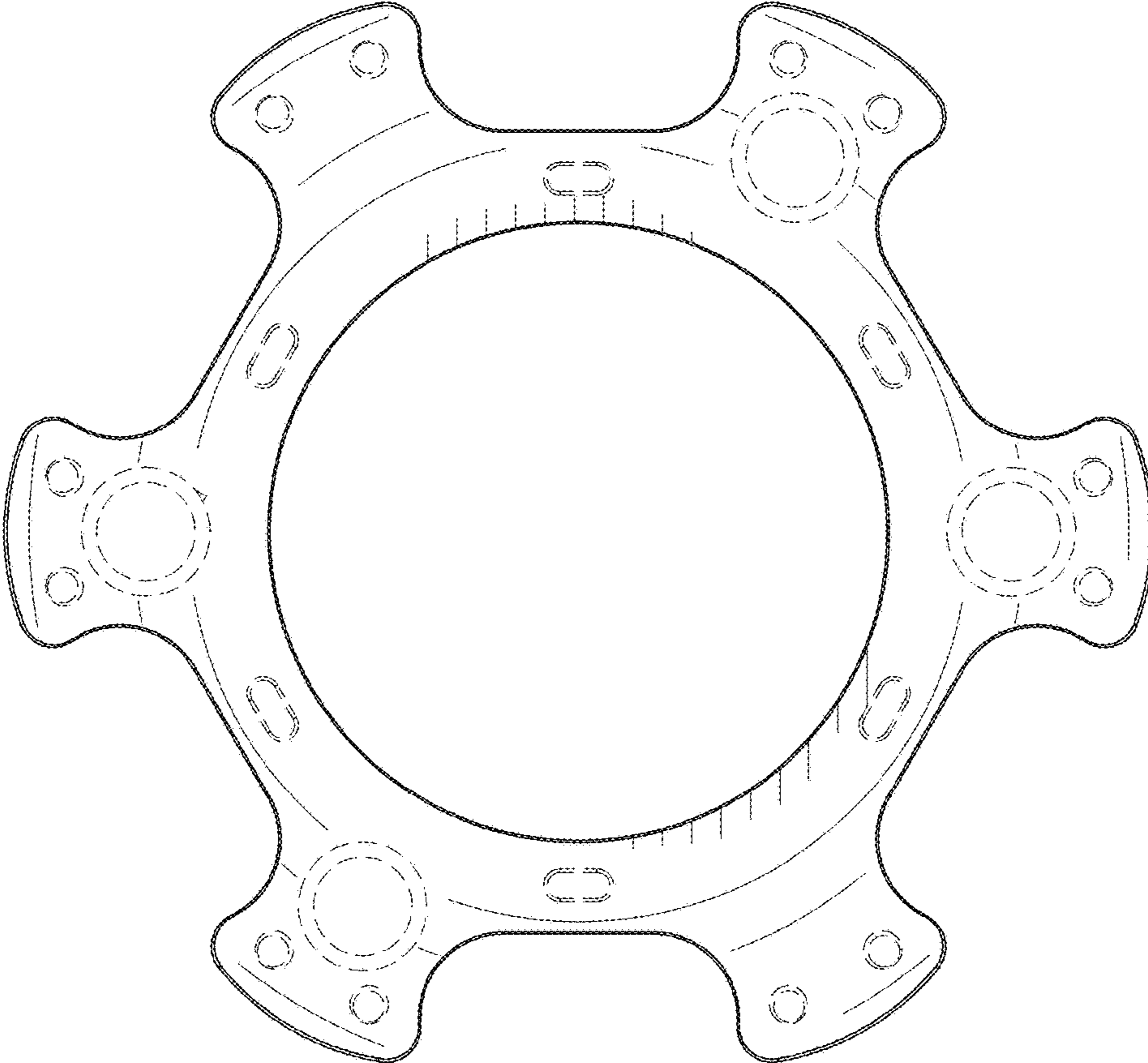


FIG. 7