



US00D832445S

(12) **United States Design Patent**  
**Tang**

(10) **Patent No.:** **US D832,445 S**

(45) **Date of Patent:** **\*\* Oct. 30, 2018**

(54) **KIT FOR LIMITING DRILLING DEPTH IN DENTAL OSTEOTOMY**

7,508,919 B2 \* 3/2009 Young ..... A61C 1/084  
378/164

9,636,190 B2 \* 5/2017 Lee ..... A61B 17/1673

9,713,510 B2 \* 7/2017 Aravena ..... A61C 1/082

(71) Applicant: **Brian Tang**, Sunnyvale, CA (US)

(72) Inventor: **Brian Tang**, Sunnyvale, CA (US)

(\*\*) Term: **15 Years**

\* cited by examiner

*Primary Examiner* — Wan Laymon

(74) *Attorney, Agent, or Firm* — David Pressman

(21) Appl. No.: **29/597,749**

(22) Filed: **Mar. 20, 2017**

(51) **LOC (11) Cl.** ..... **24-02**

(52) **U.S. Cl.**

USPC ..... **D24/177**

(58) **Field of Classification Search**

USPC ..... D24/176-177, 140, 186, 227, 229

CPC ..... A61C 3/04; A61C 1/084; A61C 1/082;

A61C 1/085; A61C 5/44; A61C 8/0089;

A61B 17/1673; A61B 17/17; A61B

17/176

See application file for complete search history.

(56) **References Cited**

**U.S. PATENT DOCUMENTS**

4,353,694 A \* 10/1982 Pelerin ..... A61C 5/44

206/369

D273,985 S \* 5/1984 Schulstad ..... D24/227

(57) **CLAIM**

The ornamental design for a kit for limiting drilling depth in dental osteotomy, as shown and described.

**DESCRIPTION**

FIG. 1 is a top plan view of my kit for limiting drilling depth in dental osteotomy.

FIG. 2 is a rear elevational view of my kit.

FIG. 3 is a left side elevational view of my kit.

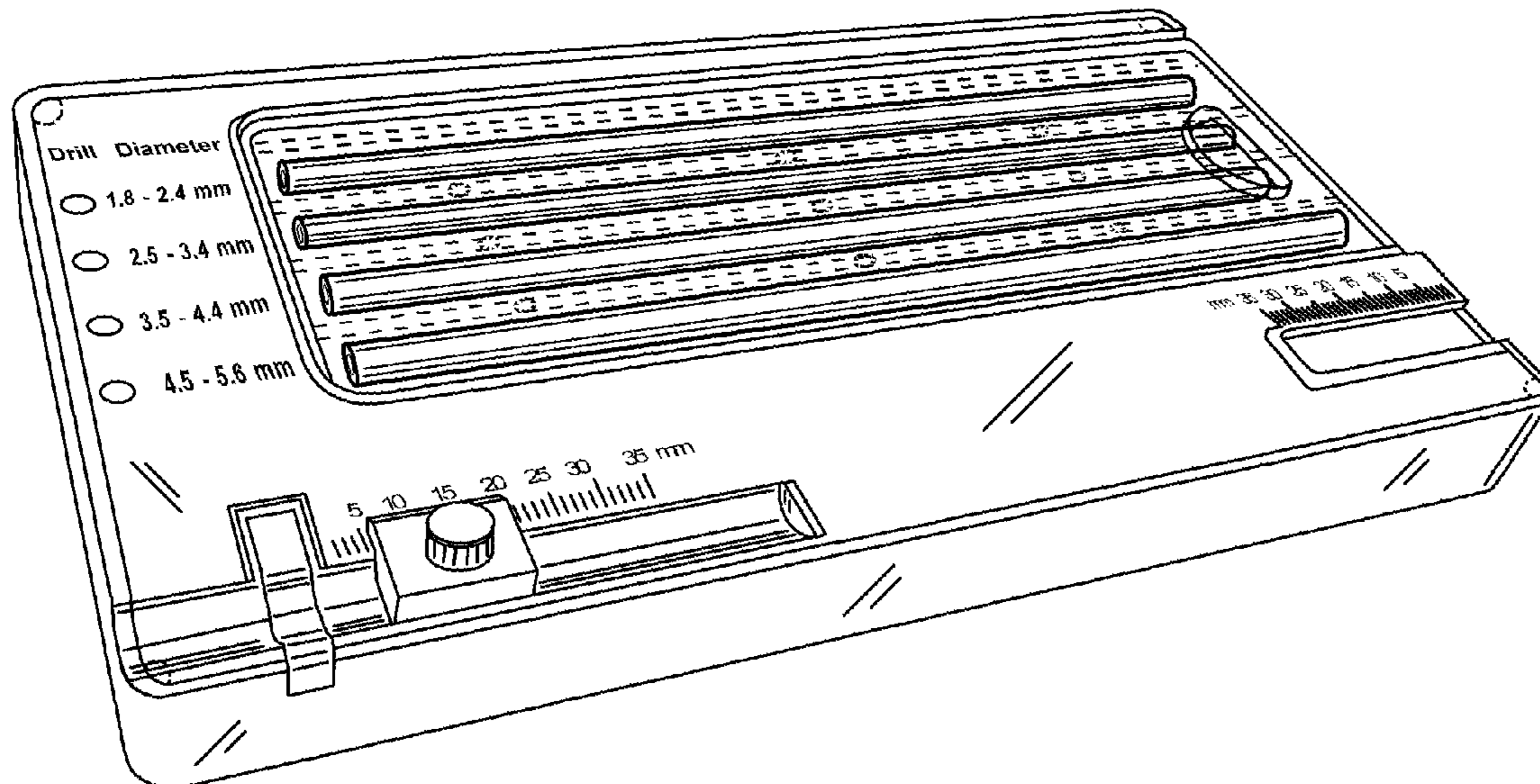
FIG. 4 is a right side elevational view of my kit.

FIG. 5 a bottom view of my kit; and,

FIG. 6 is a perspective view of my kit taken from the left front side and above.

The portions of the kit for limiting drill depth in dental osteotomy shown in broken lines form no part of the claimed design.

**1 Claim, 2 Drawing Sheets**



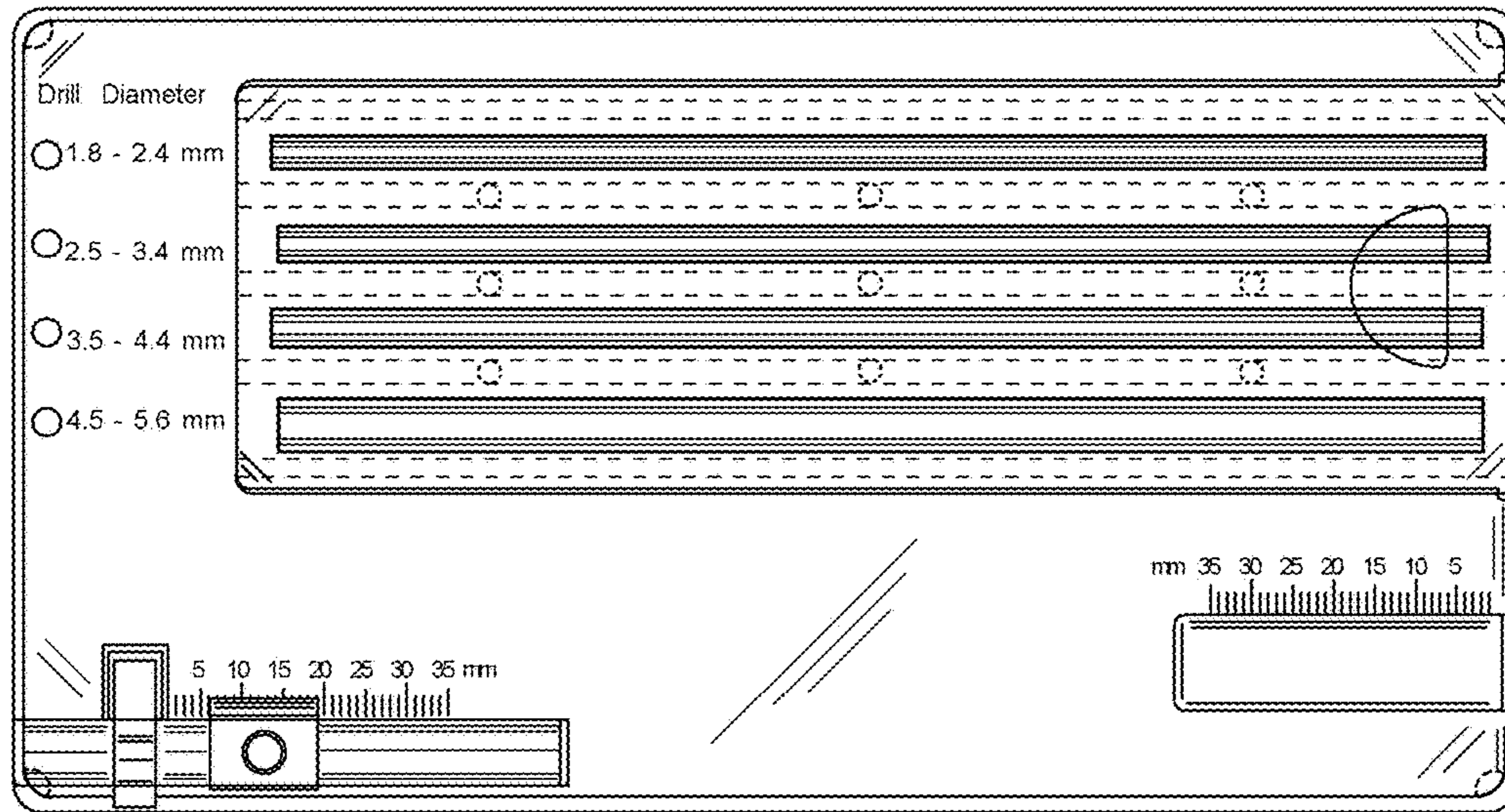


Fig. 1

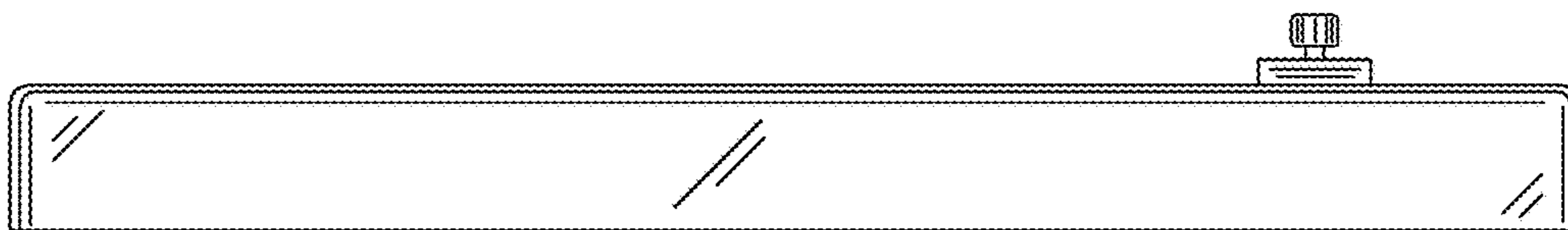


Fig. 2

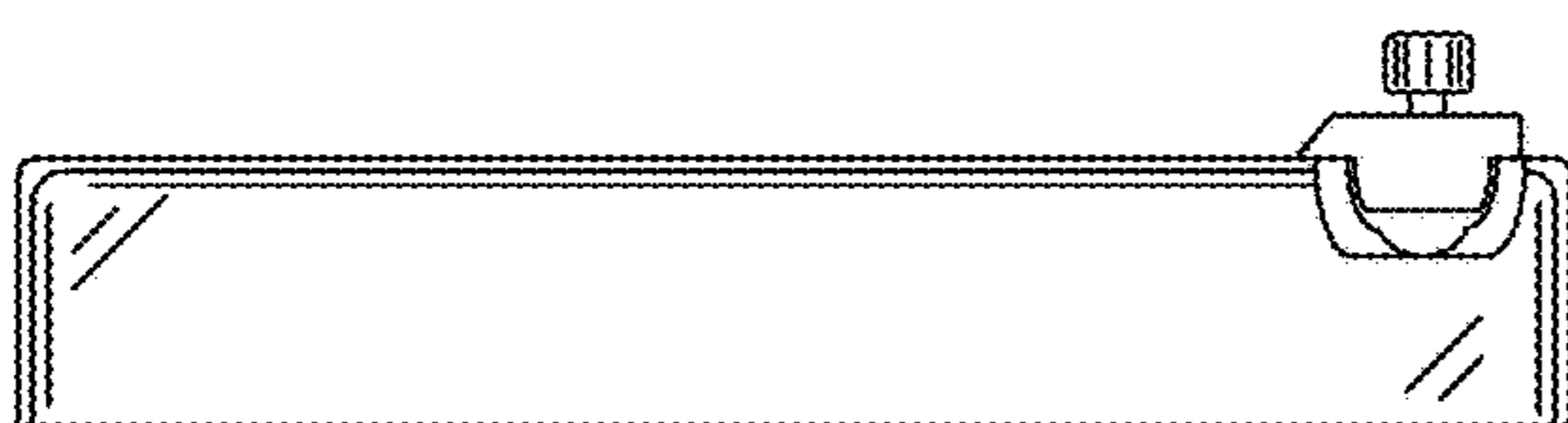


Fig. 3

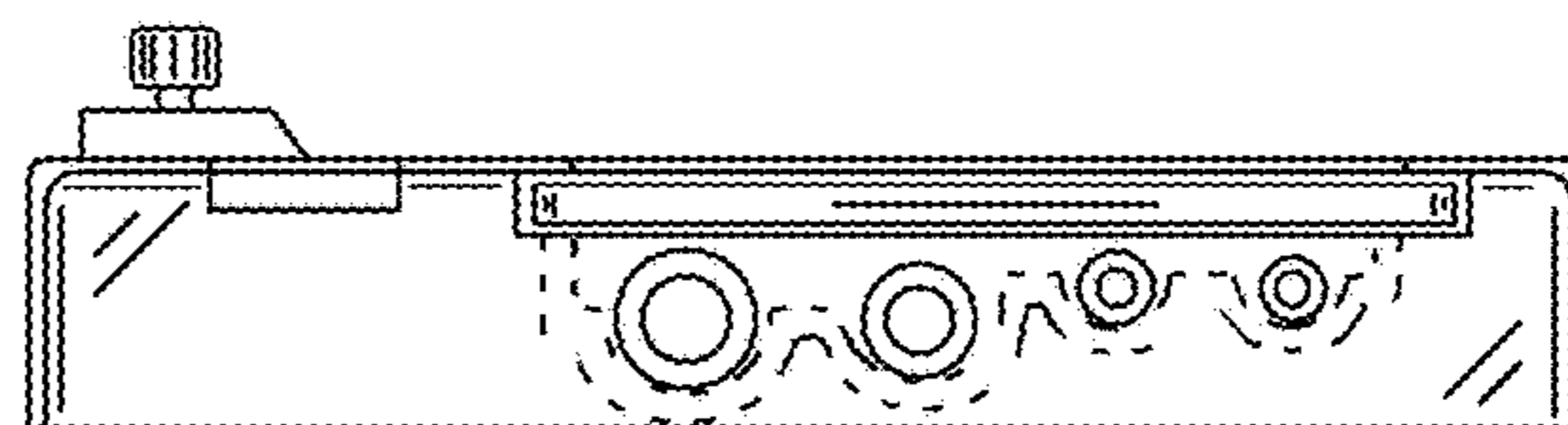


Fig. 4

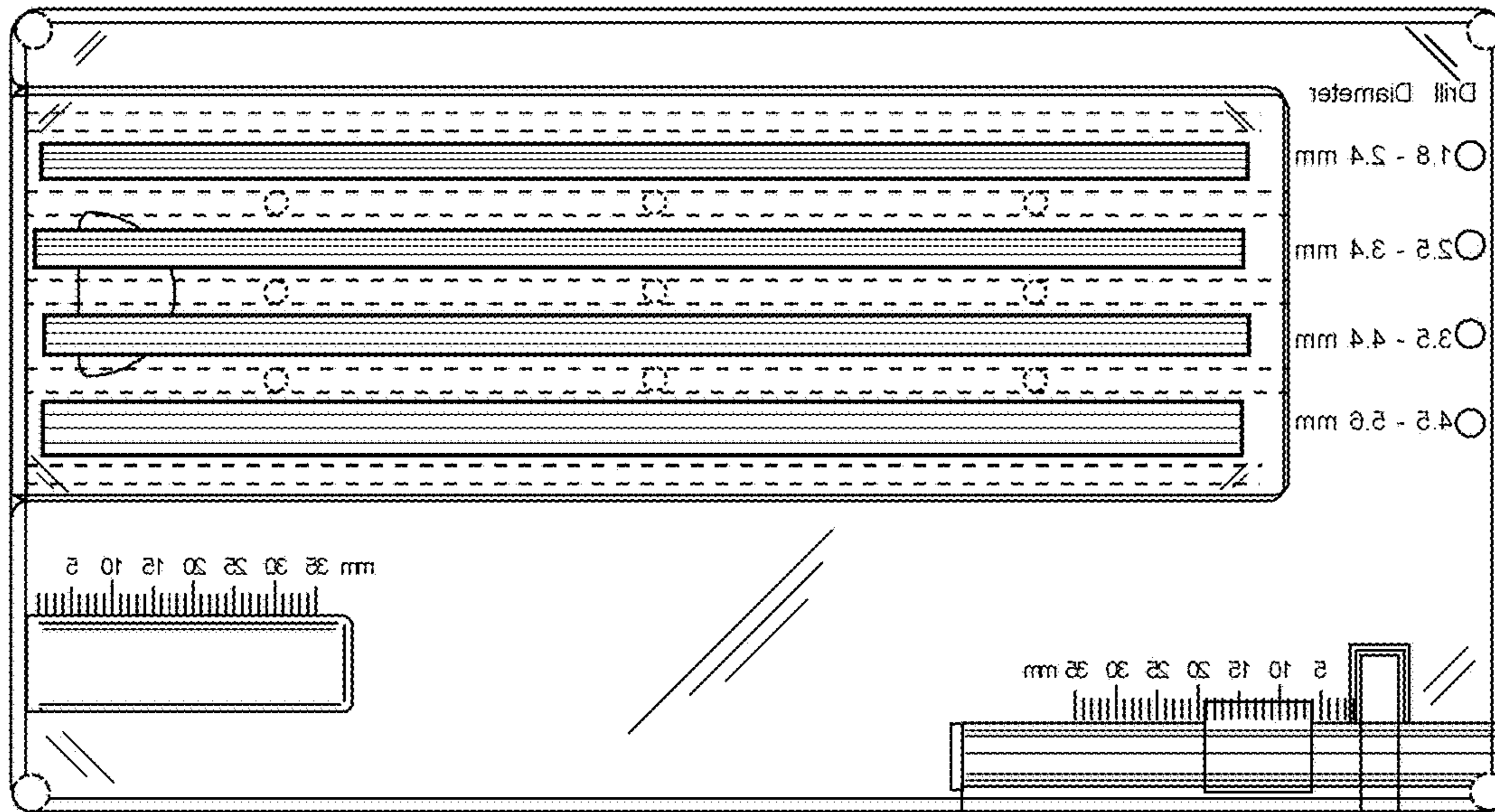


Fig. 5

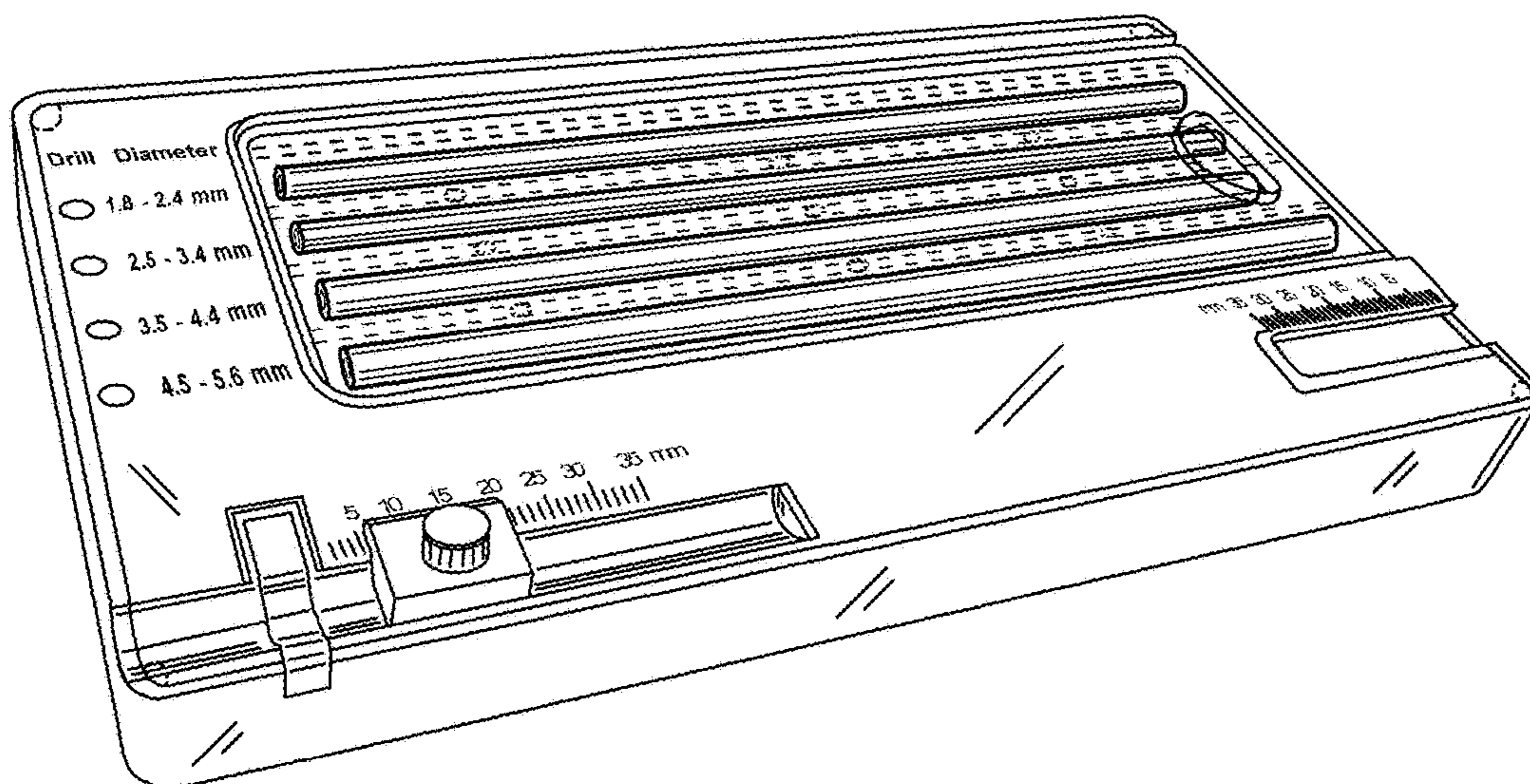


Fig. 6