



US00D832443S

(12) **United States Design Patent**
Berkely

(10) **Patent No.:** **US D832,443 S**

(45) **Date of Patent:** **** Oct. 30, 2018**

(54) **DENTAL AIR/WATER SYRINGE TIP**

(71) Applicant: **Donovan Winston Berkely**, Irvine, CA (US)

(72) Inventor: **Donovan Winston Berkely**, Irvine, CA (US)

(**) Term: **15 Years**

(21) Appl. No.: **29/564,356**

(22) Filed: **May 12, 2016**

(51) **LOC (11) Cl.** **24-02**

(52) **U.S. Cl.**

USPC **D24/176; D24/112**

(58) **Field of Classification Search**

USPC D24/176-182, 152, 108, 112, 127, 130
CPC A61C 1/0061; A61C 1/0076; A61C 17/00;
A61C 17/02; A61C 17/0202; A61C 17/0211;
A61C 17/0214; A61C 17/022; A61C 17/0217;
A61C 17/043
See application file for complete search history.

(56) **References Cited**

U.S. PATENT DOCUMENTS

1,858,056 A	5/1932	Pieper
2,094,888 A	10/1937	Hooper
3,121,426 A	2/1964	Yoshida
3,375,823 A	4/1968	Pamplin
3,424,156 A	1/1969	Smith
3,698,088 A	10/1972	Austin, Jr.
3,874,083 A	4/1975	Buckley
4,248,589 A	2/1981	Lewis
4,592,728 A	6/1986	Davis
4,810,194 A	3/1989	Snedden

(Continued)

FOREIGN PATENT DOCUMENTS

WO	WO 00/35370	6/2000
WO	WO 2000/33762	6/2000

(Continued)

OTHER PUBLICATIONS

Luzzani Dental, Mini Mate, dated at least Feb. 25, 2016, in 1 page.

(Continued)

Primary Examiner — Wan Laymon

(74) *Attorney, Agent, or Firm* — Knobbe, Martens, Olson & Bear, LLP

(57) **CLAIM**

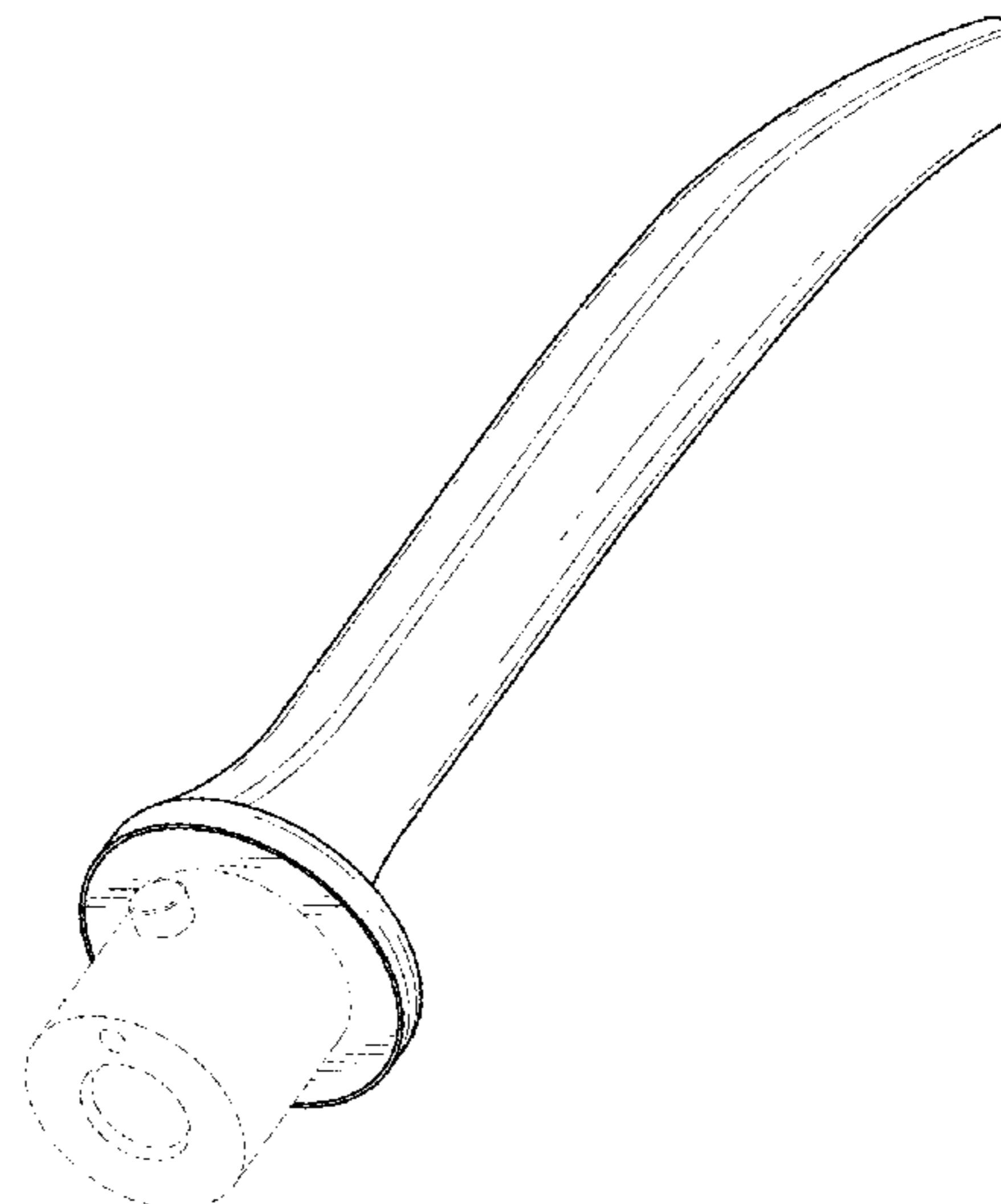
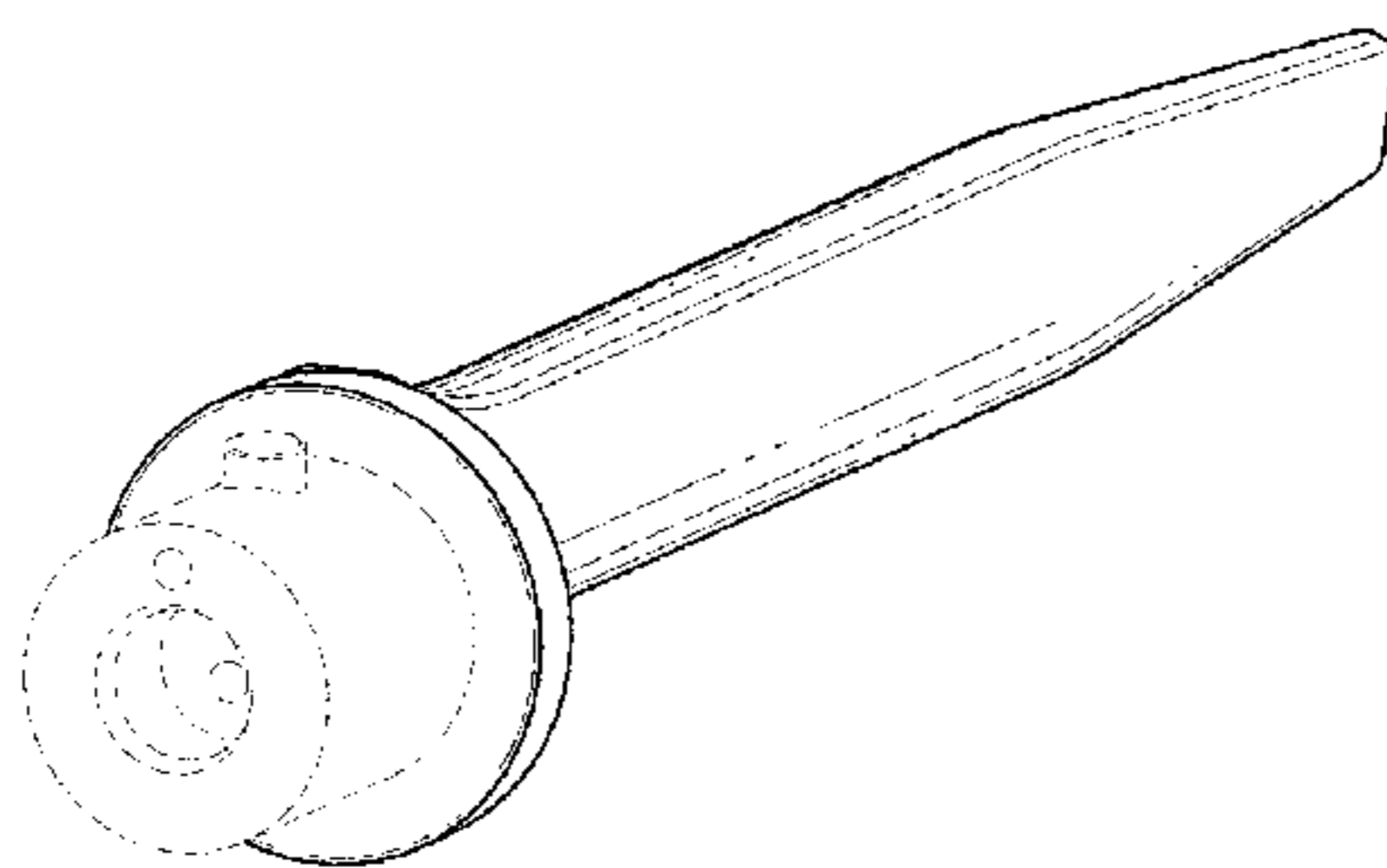
The ornamental design for a dental air/water syringe tip, as shown and described.

DESCRIPTION

FIG. 1 is a front, right perspective view of a dental air/water syringe tip showing a first embodiment; FIG. 2 is a rear, right perspective view thereof; FIG. 3 is another rear, right perspective view thereof; FIG. 4 is a right-side elevation view thereof; FIG. 5 is a left-side elevation view thereof; FIG. 6 is a front elevation view thereof; FIG. 7 is a rear elevation view thereof; FIG. 8 is a top plan view thereof; FIG. 9 is a bottom plan view thereof; FIG. 10 is a front, right perspective view of a dental air/water syringe tip showing a second embodiment; FIG. 11 is a rear, right perspective view thereof; FIG. 12 is another rear, right perspective view thereof; FIG. 13 is a right-side elevation view thereof; FIG. 14 is a left-side elevation view thereof; FIG. 15 is a front elevation view thereof; FIG. 16 is a rear elevation view thereof; FIG. 17 is a top plan view thereof; and, FIG. 18 is a bottom plan view thereof.

All features in phantom line are for the purpose of illustrating environmental structure and form no part of the claimed subject matter.

1 Claim, 12 Drawing Sheets



(56)

References Cited

U.S. PATENT DOCUMENTS

4,975,058 A 12/1990 Woodward
 5,049,071 A * 9/1991 Davis A61C 17/0202
 222/145.5
 5,100,319 A 3/1992 Baum
 5,192,206 A 3/1993 Davis et al.
 5,204,004 A 4/1993 Johnston et al.
 5,230,624 A 7/1993 Wolf et al.
 5,236,356 A 8/1993 Davis et al.
 5,306,146 A 4/1994 Davis et al.
 5,322,440 A 6/1994 Steele
 5,336,202 A 8/1994 Bailly et al.
 5,342,195 A 8/1994 Davis et al.
 D352,354 S 11/1994 Davis et al.
 5,391,145 A 2/1995 Dorsey, III
 5,460,619 A 10/1995 Esrock
 5,468,148 A 11/1995 Ricks
 5,489,205 A 2/1996 Davis et al.
 5,554,025 A 9/1996 Kinsel
 5,591,389 A 1/1997 Esrock
 5,616,028 A 4/1997 Hafele et al.
 5,658,144 A * 8/1997 Tinder A61C 17/02
 433/80
 5,772,433 A 6/1998 Esrock
 5,848,893 A 12/1998 Martin et al.
 5,882,194 A 3/1999 Davis et al.
 5,882,197 A 3/1999 Davis et al.
 D409,305 S * 5/1999 Martin D24/152
 5,899,692 A 5/1999 Davis et al.
 5,908,296 A * 6/1999 Kipke A61C 1/0076
 433/80
 5,927,975 A 7/1999 Esrock
 5,961,326 A 10/1999 Johnston et al.
 6,079,979 A 6/2000 Riitano
 6,093,020 A 7/2000 Pond et al.
 6,113,391 A 9/2000 Esrock
 6,149,429 A 11/2000 Bukowski et al.
 6,159,007 A 12/2000 Sorensen

6,238,211 B1 5/2001 Esrock
 6,250,921 B1 6/2001 Esrock
 RE37,324 E 8/2001 Esrock
 6,283,750 B1 9/2001 Esrock
 6,319,001 B1 11/2001 Esrock
 6,322,361 B1 11/2001 Esrock
 6,382,970 B1 * 5/2002 Foster A61C 17/02
 433/80
 6,390,815 B1 5/2002 Pond
 6,419,485 B1 7/2002 Pond
 6,464,498 B1 10/2002 Pond
 6,500,000 B1 12/2002 Segal
 6,533,578 B2 * 3/2003 Segal A61C 17/0202
 433/127
 6,824,385 B1 * 11/2004 Bain A61C 17/0202
 433/80
 7,431,587 B2 10/2008 Pond
 7,993,135 B2 8/2011 Nesbitt et al.
 8,662,470 B2 * 3/2014 Klecker A61C 17/0202
 137/625.3
 2001/0041321 A1 11/2001 Segal
 2006/0024640 A1 2/2006 Pond et al.
 2011/0275026 A1 11/2011 Smith
 2013/0260333 A1 * 10/2013 Berkely A61C 17/0217
 433/80
 2013/0316299 A1 * 11/2013 Berkely A61C 17/0202
 433/80
 2015/0050613 A1 * 2/2015 Berkely A61C 17/02
 433/29

FOREIGN PATENT DOCUMENTS

WO WO 2013/151961 10/2013
 WO WO 2015/023799 2/2015

OTHER PUBLICATIONS

Luzzani Dental, Mini Light, dated at least Feb. 25, 2016, in 1 page.

* cited by examiner

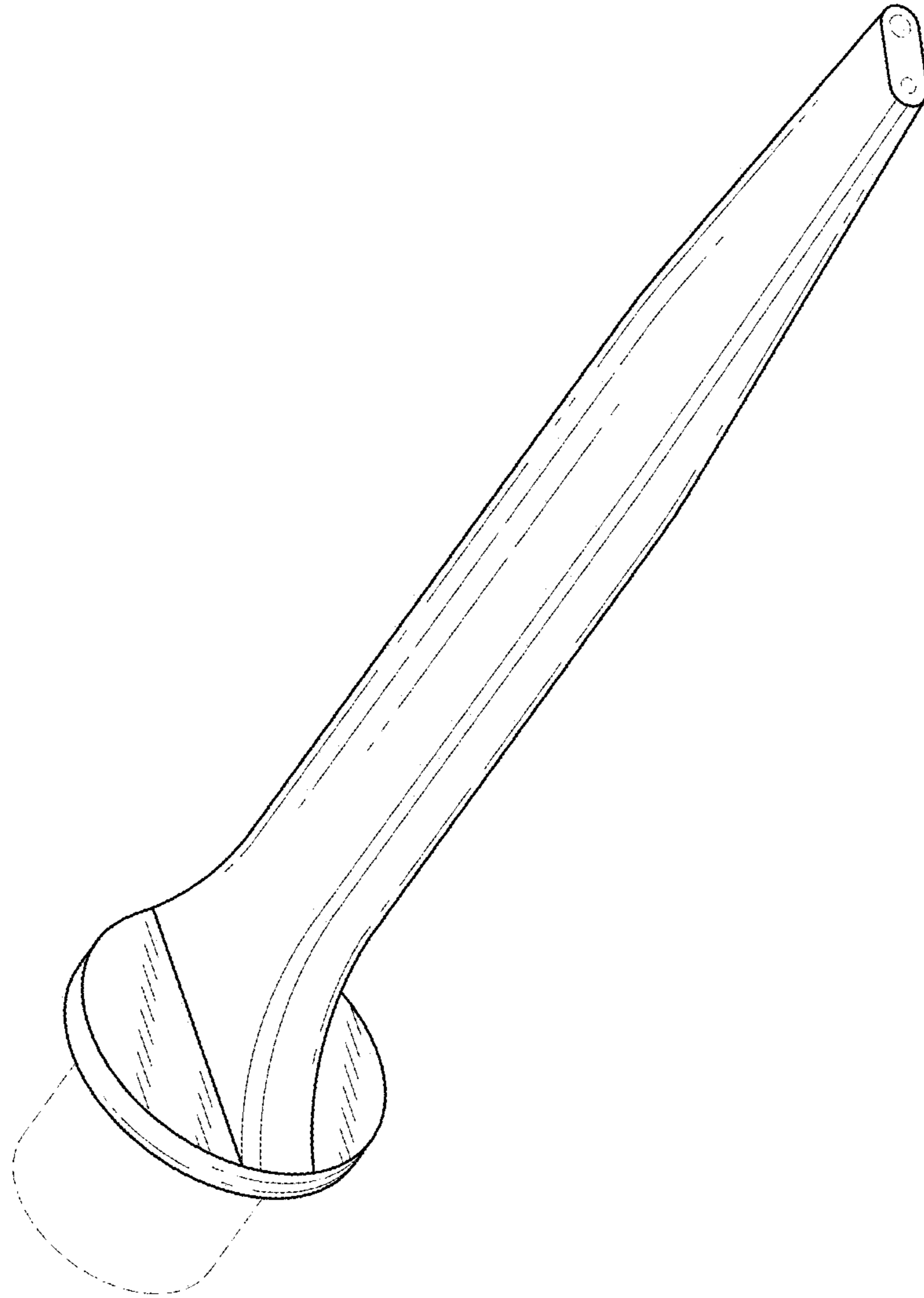


FIG. 1

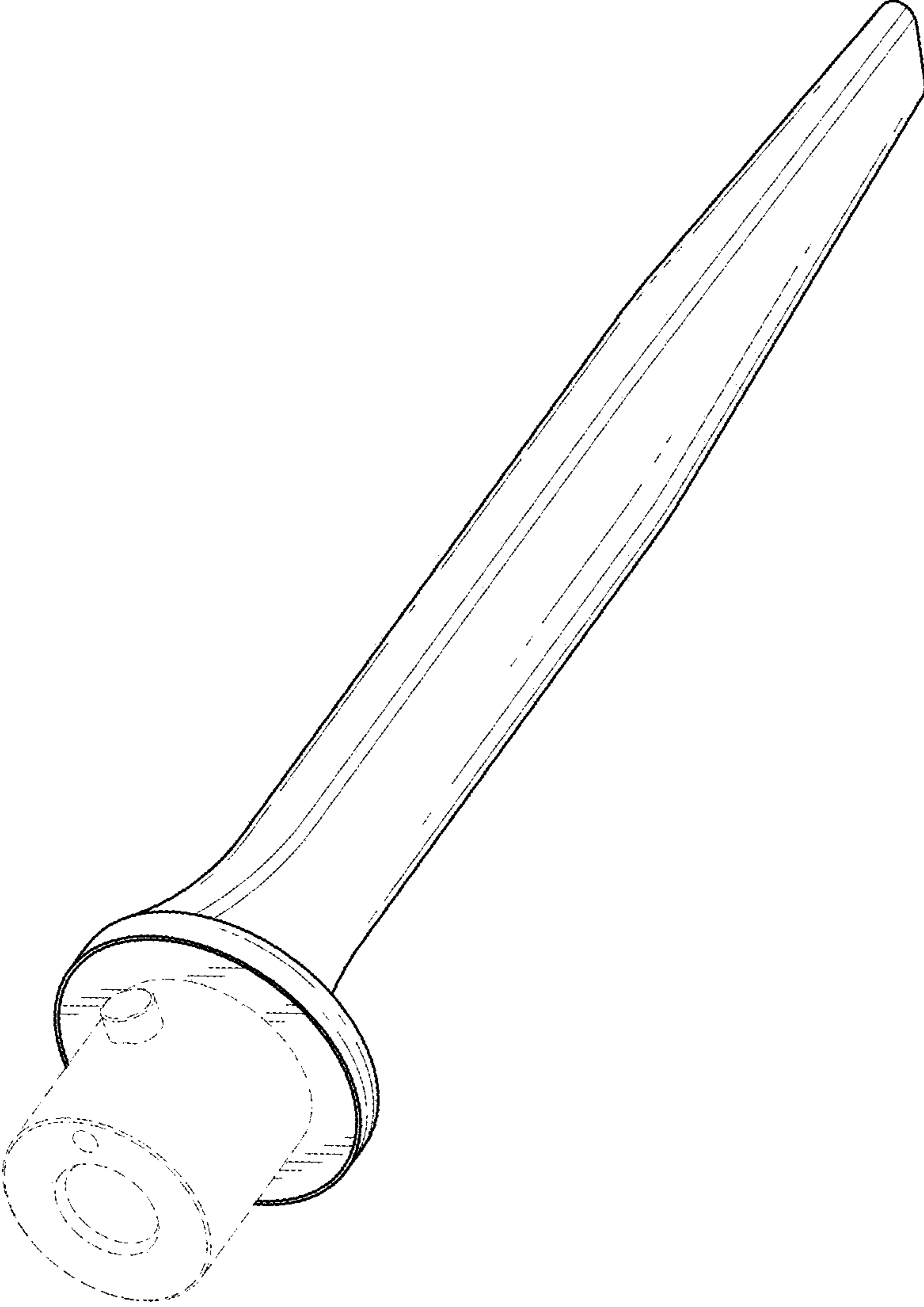


FIG. 2

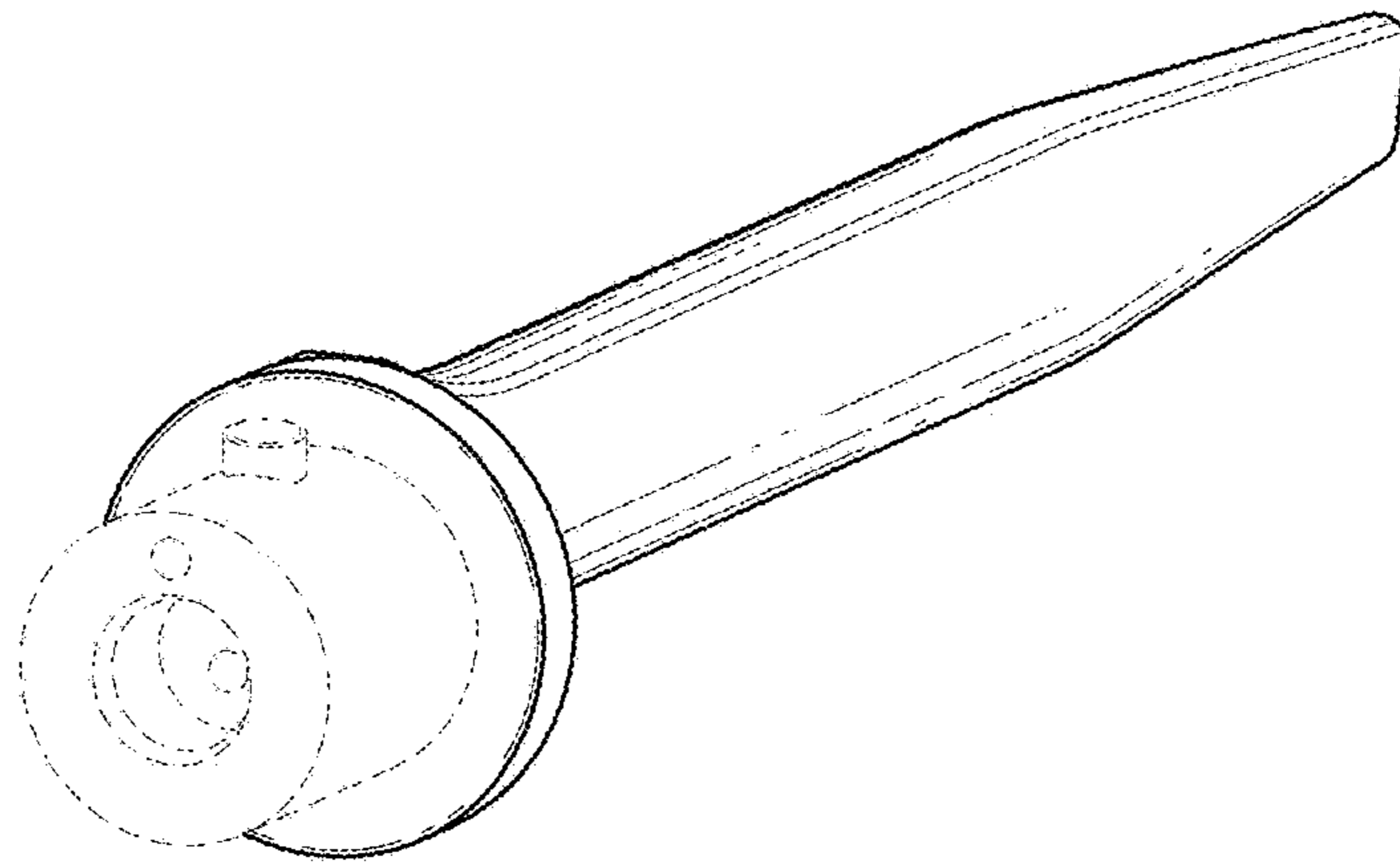


FIG. 3

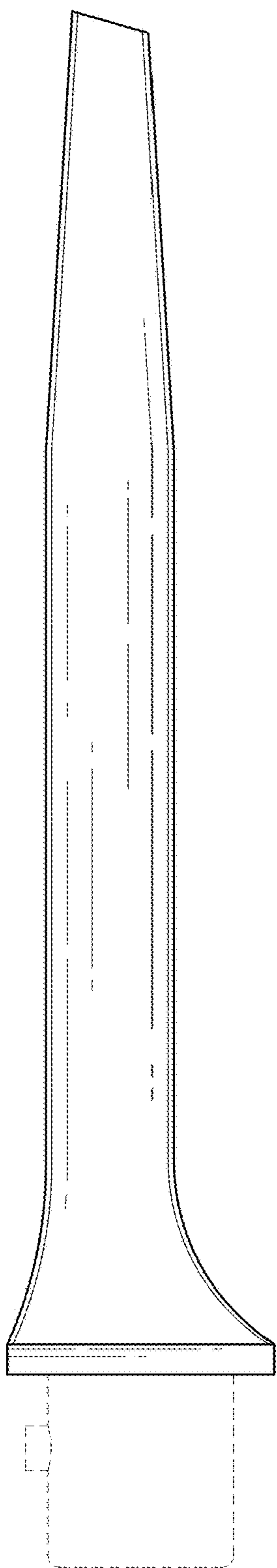


FIG. 4

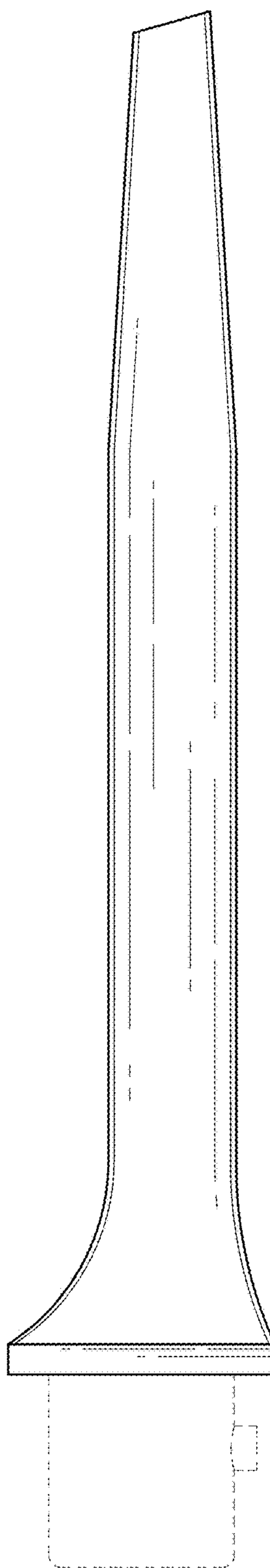


FIG. 5

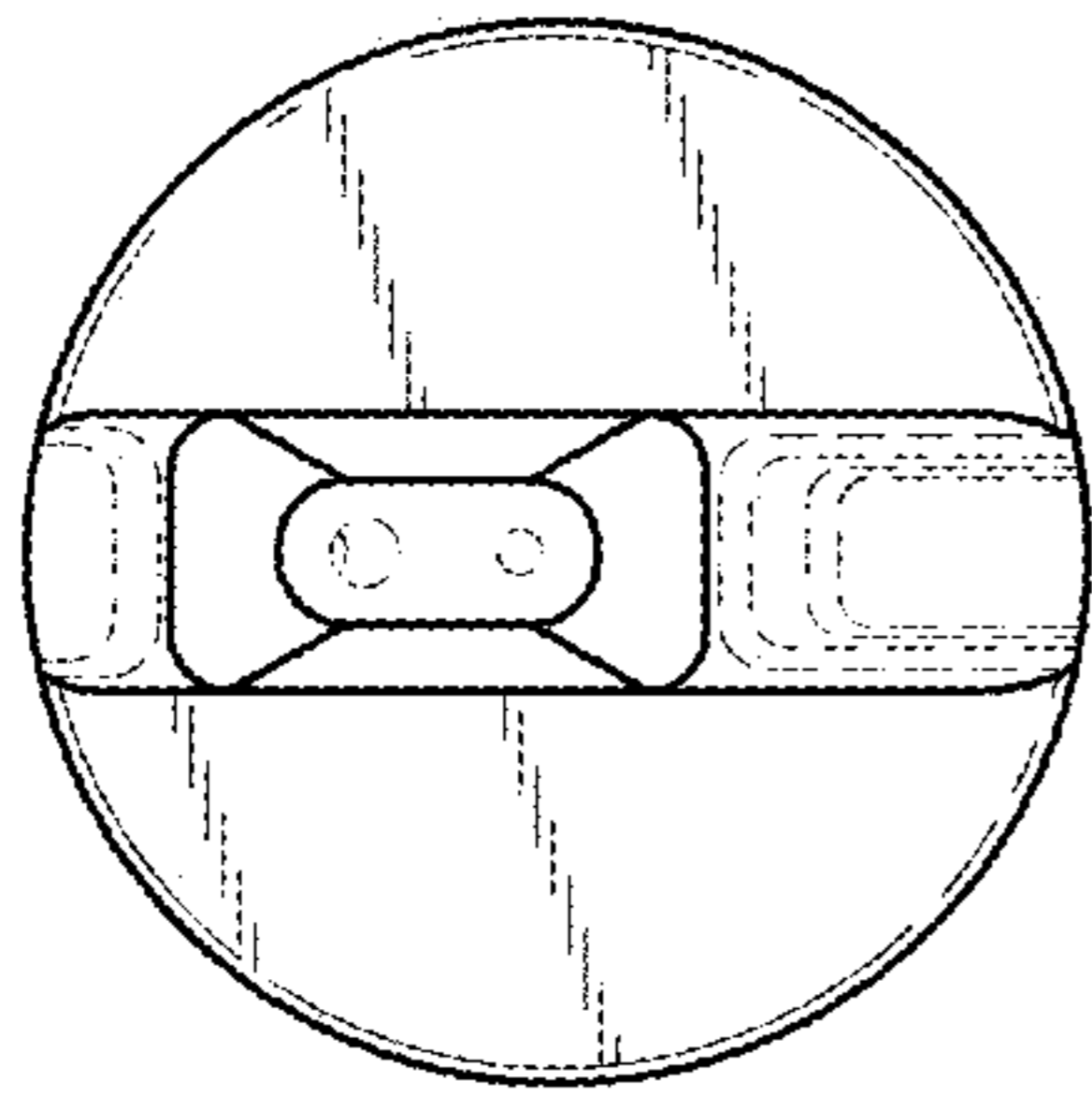


FIG. 6

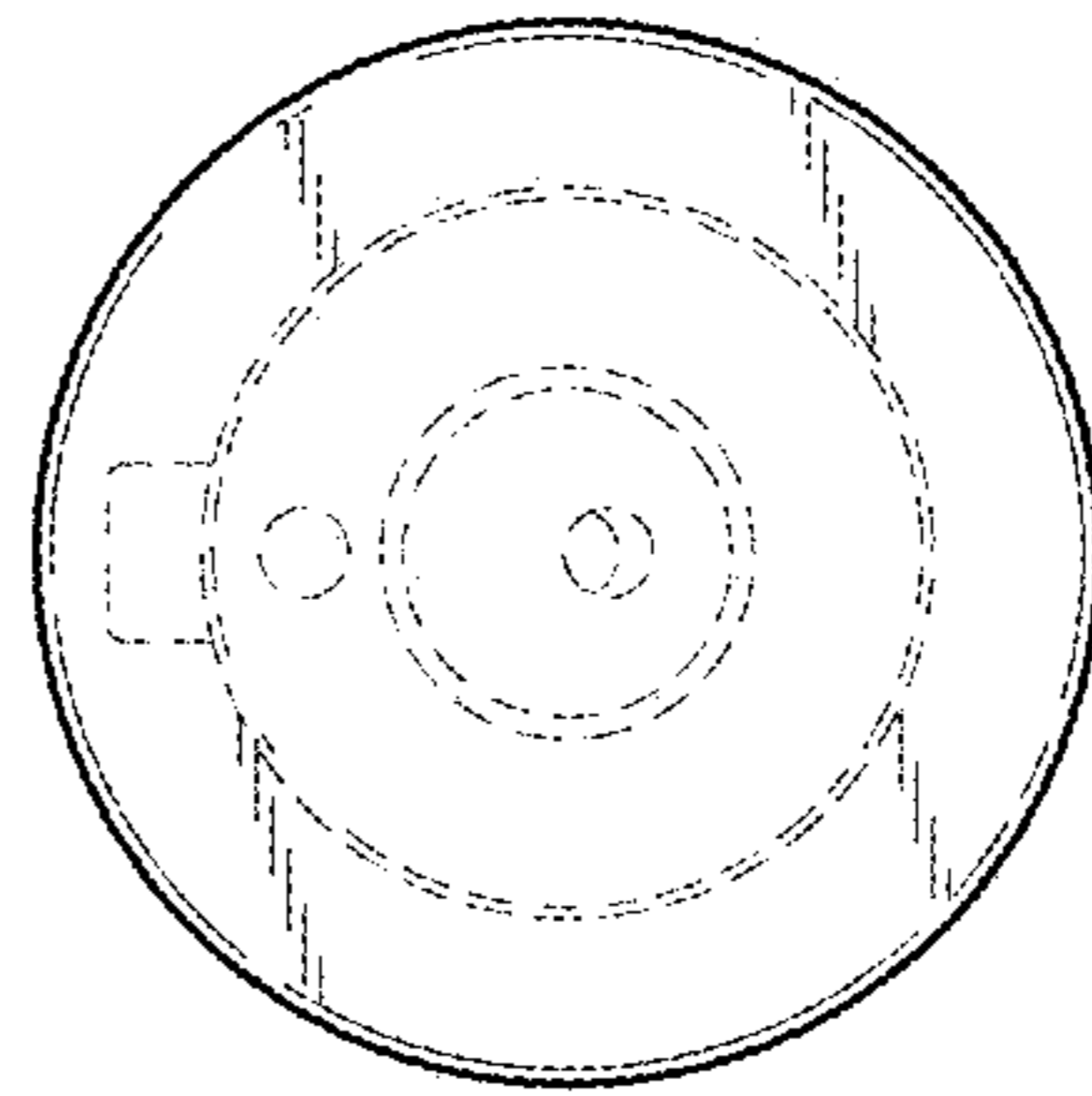


FIG. 7

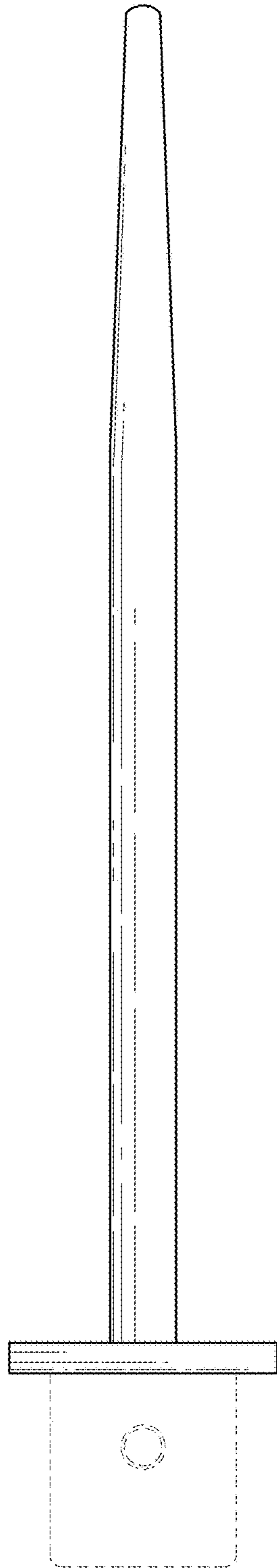


FIG. 8

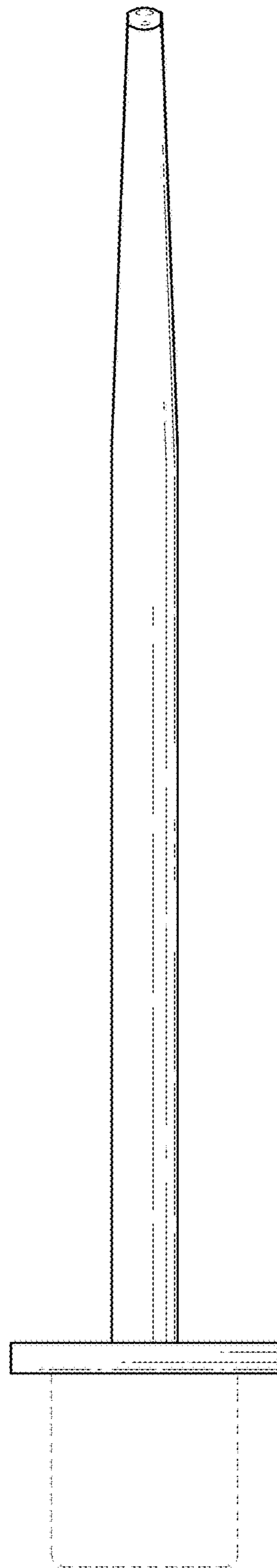


FIG. 9

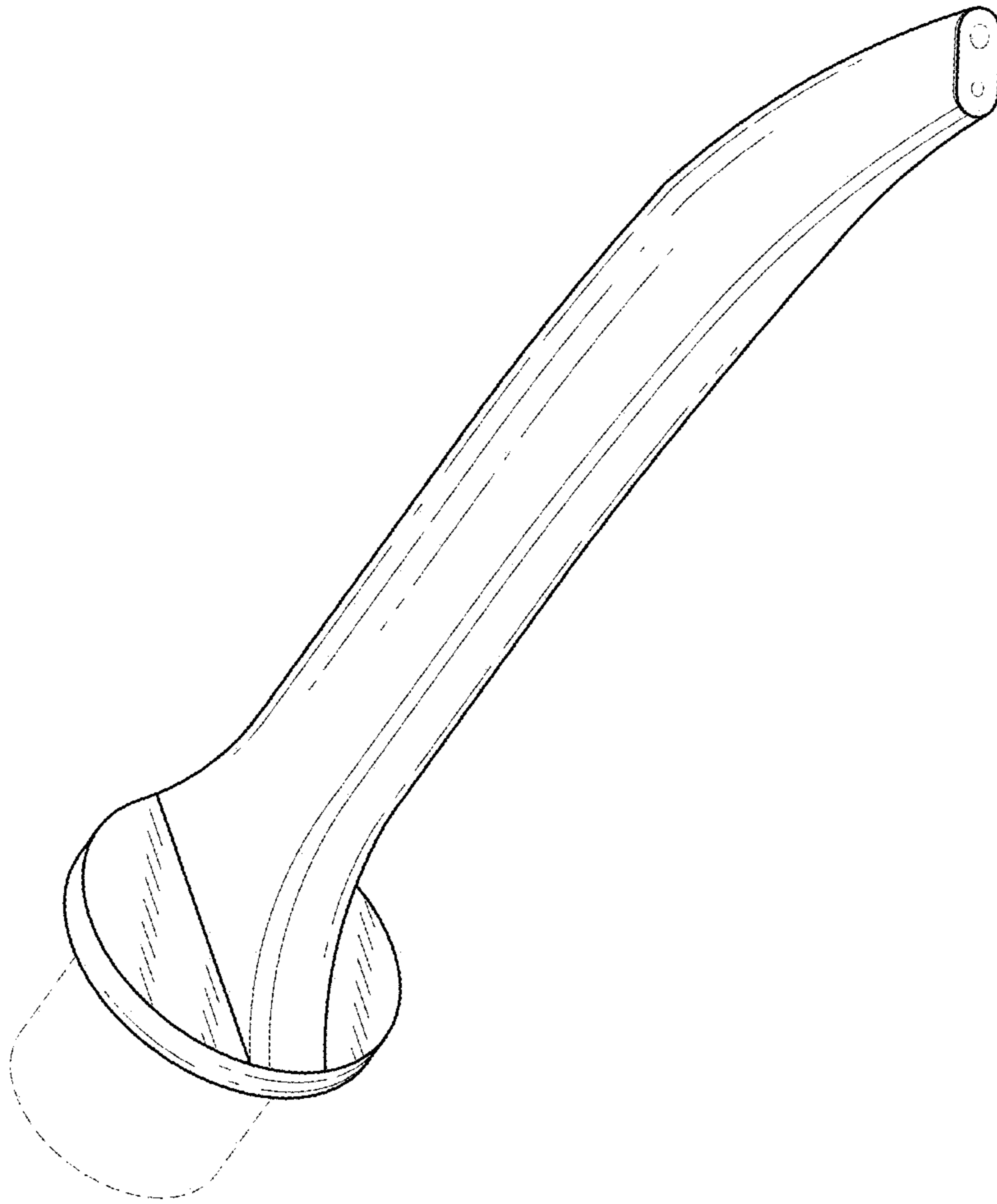


FIG. 10

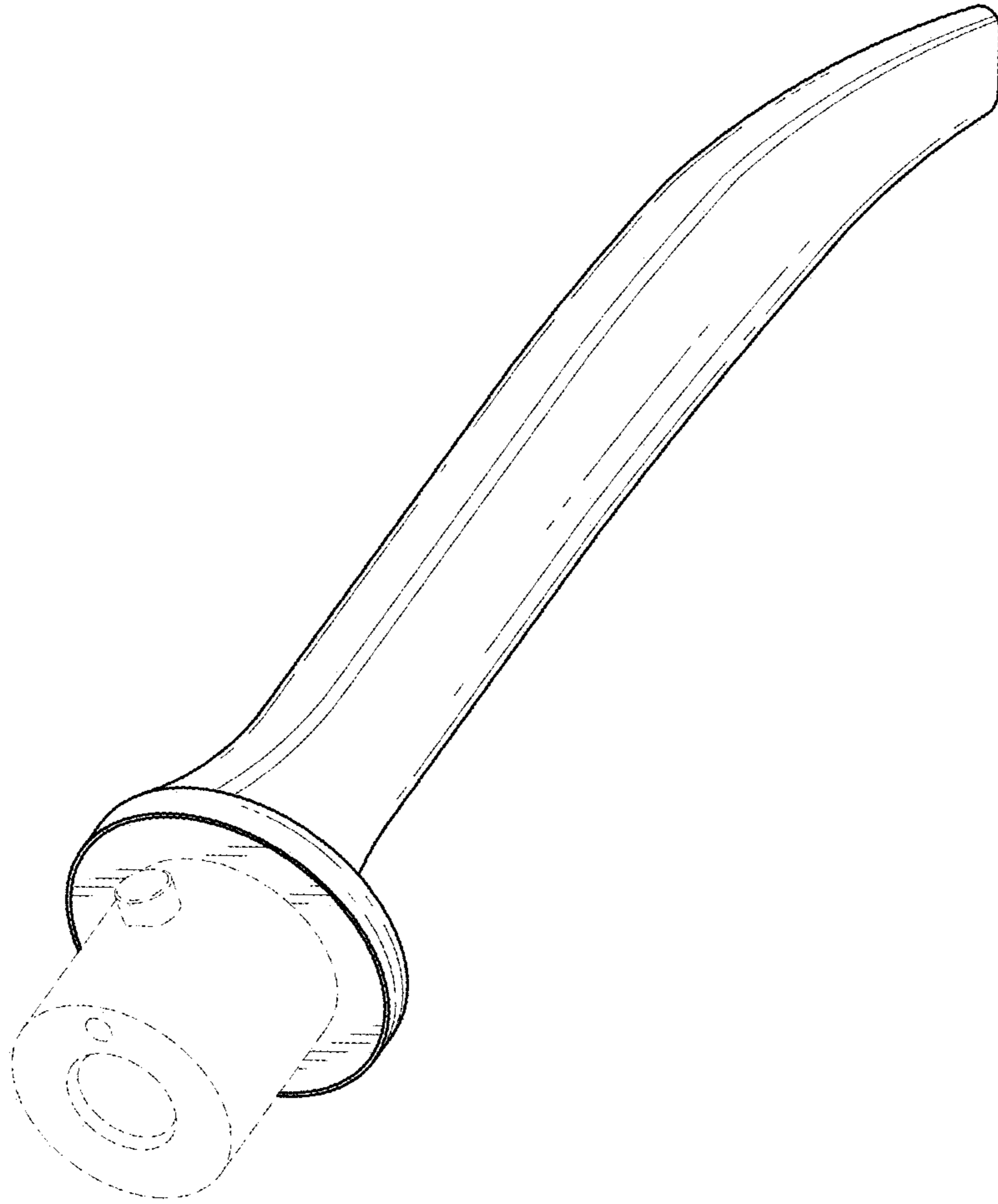


FIG. 11

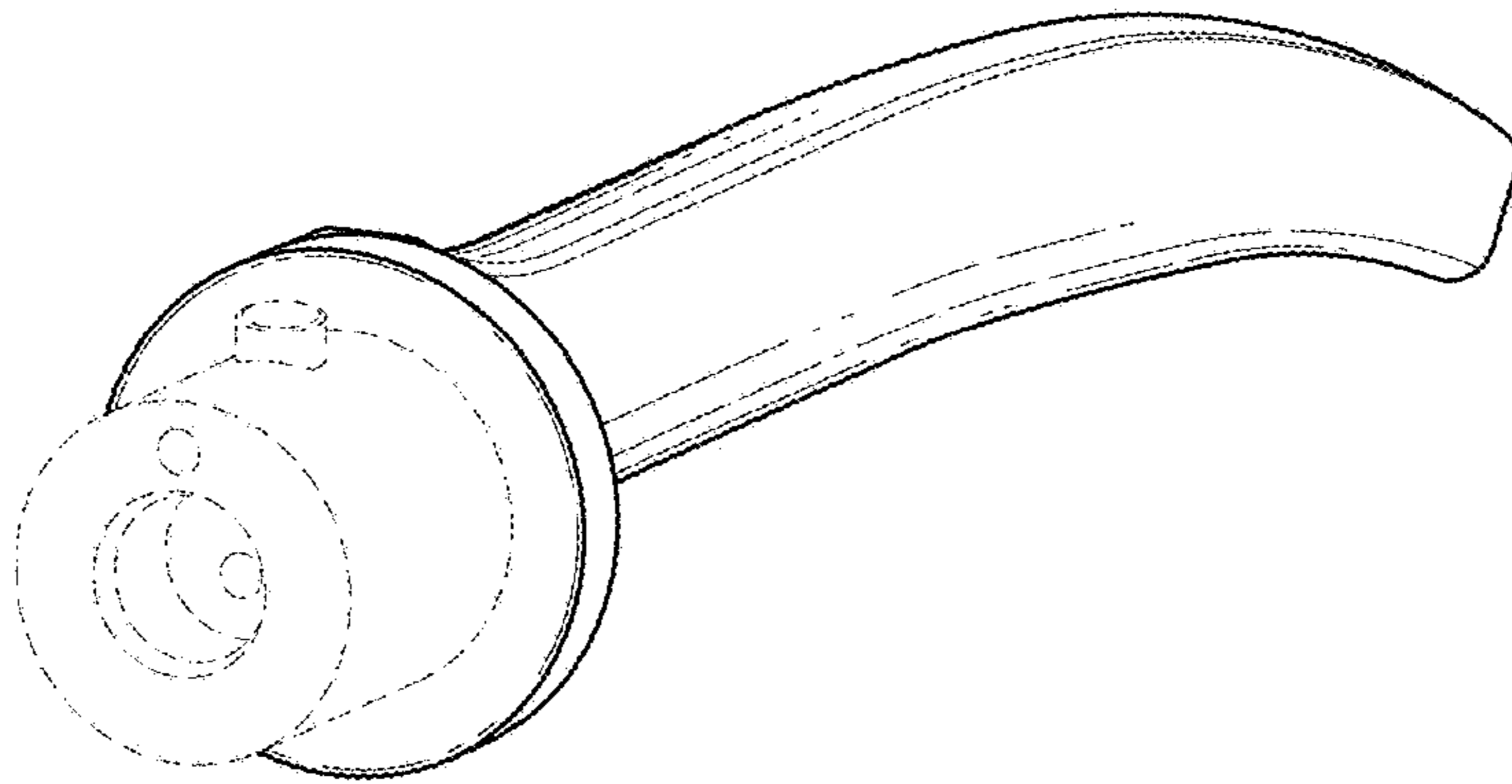


FIG. 12

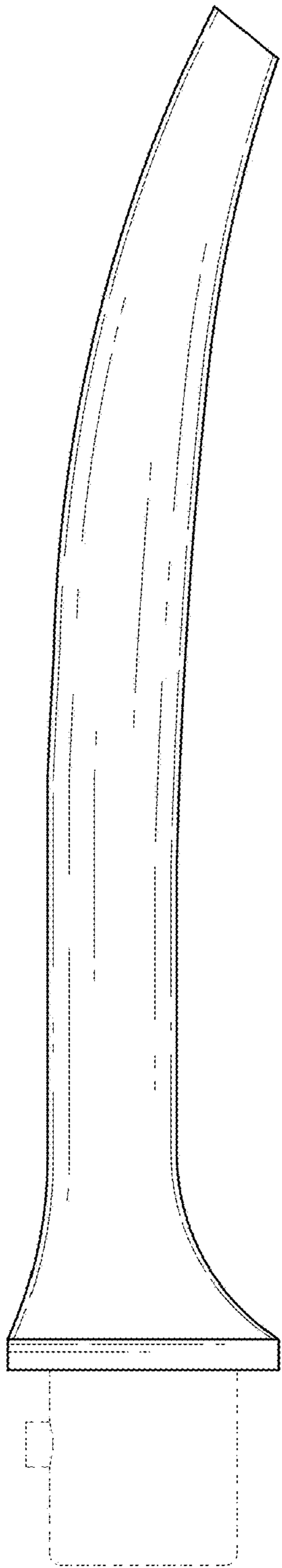


FIG. 13

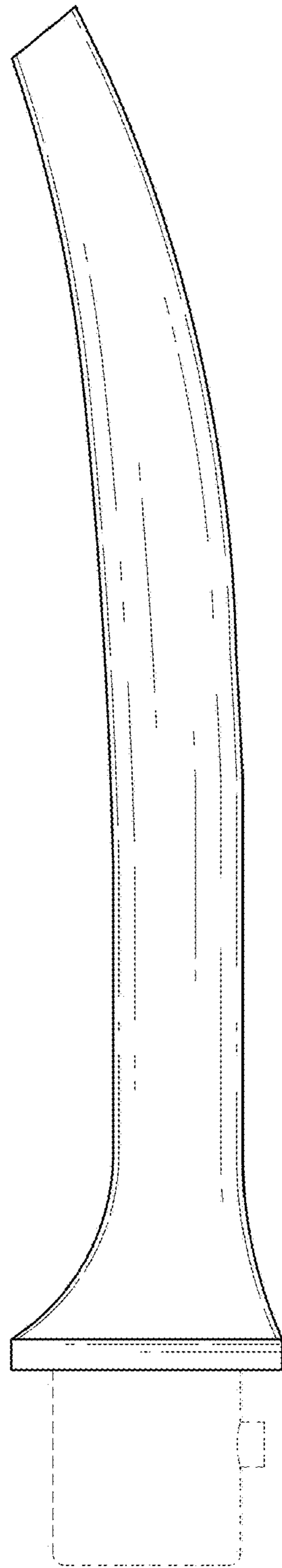


FIG. 14

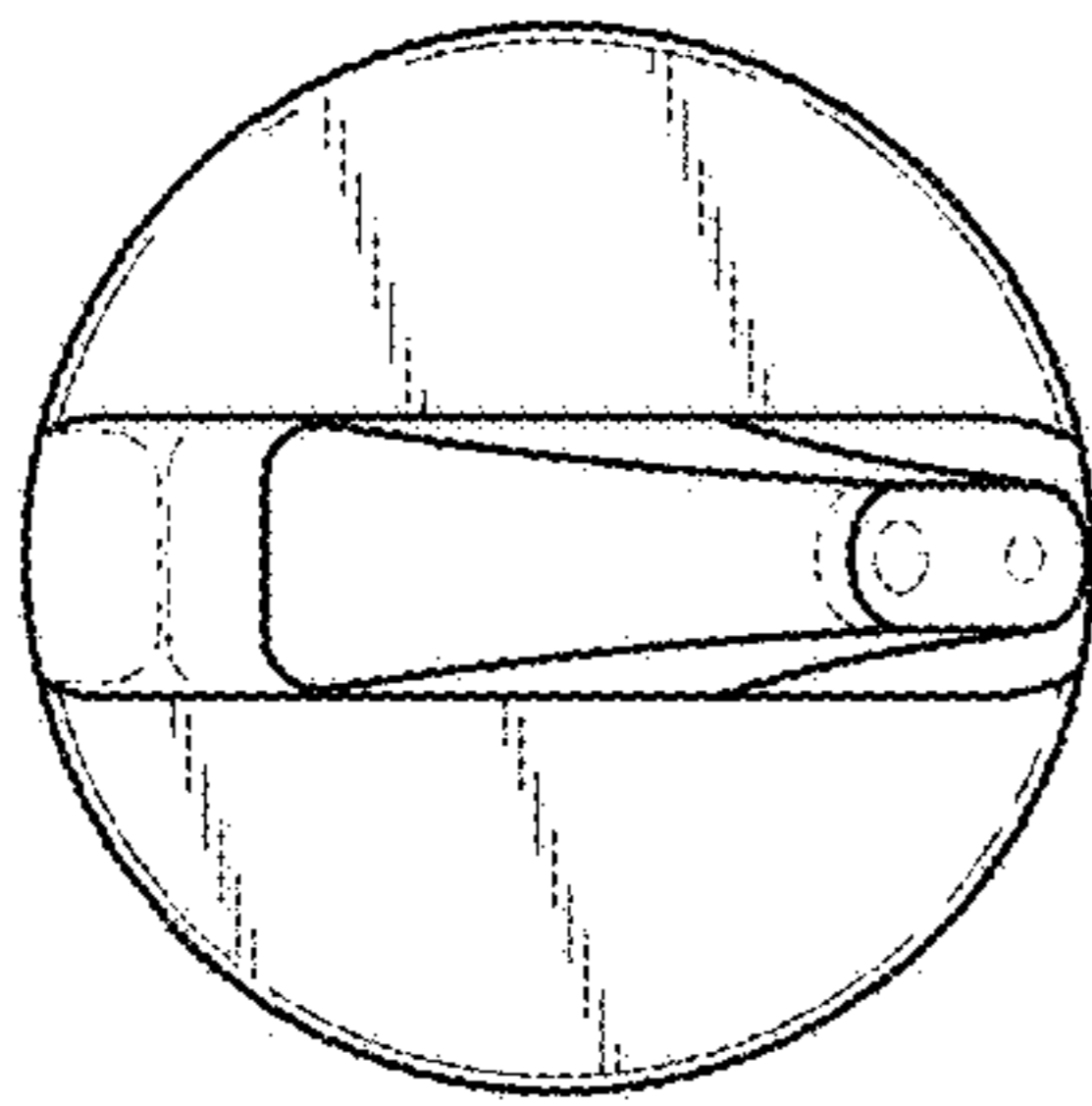


FIG. 15

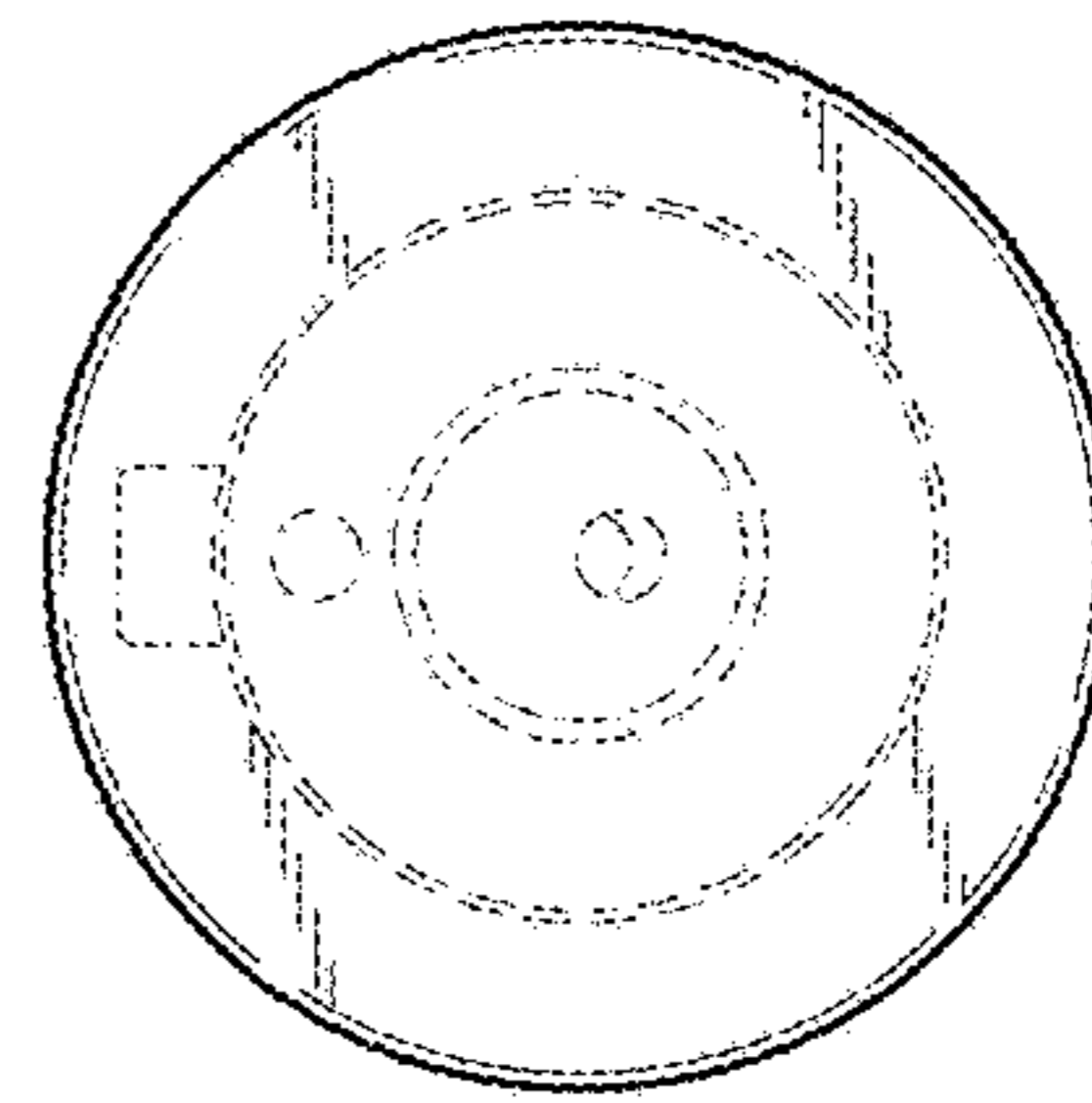


FIG. 16

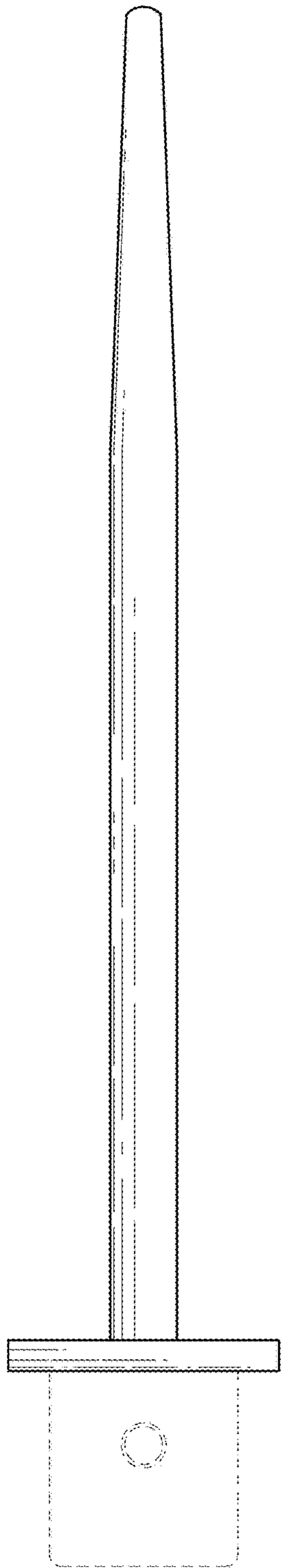


FIG. 17

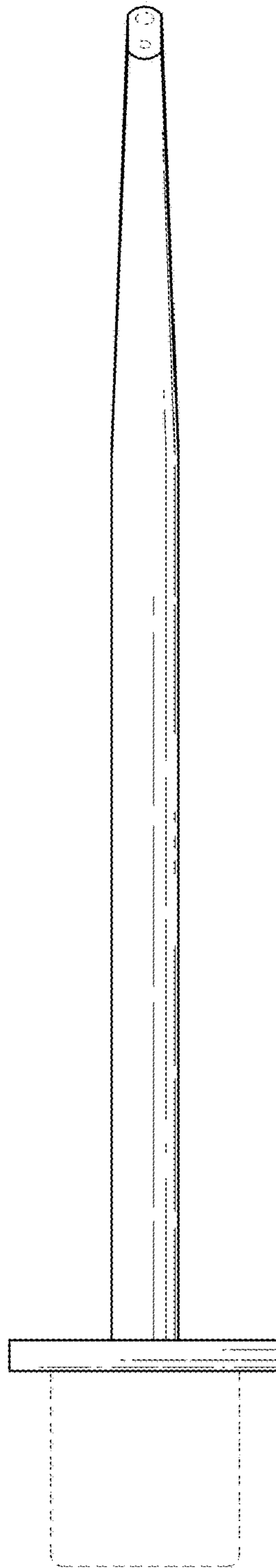


FIG. 18