



US00D832442S

(12) **United States Design Patent**  
**Franko et al.**

(10) **Patent No.:** **US D832,442 S**  
(45) **Date of Patent:** **\*\* Oct. 30, 2018**

(54) **MRI HEAD COIL MIRROR ASSEMBLY**

8,073,526 B2 \* 12/2011 Graham ..... G01R 33/28  
600/407

(71) Applicant: **GENERAL ELECTRIC COMPANY**,  
Schenectady, NY (US)

D742,012 S \* 10/2015 Sul ..... D24/158  
D787,064 S \* 5/2017 Sul ..... D24/158  
2015/0031984 A1 \* 1/2015 Driemel ..... G01R 33/283  
600/415

(72) Inventors: **Balint Franko**, Aurora, OH (US);  
**Regis Gerard Personelli**, Bois d'Arcy  
(FR); **Yun-Jeong Stickle**, Solon, OH  
(US); **Sarah Tenley**, Cleveland Heights,  
OH (US); **Clyve Konrad Rosales**  
**Follante**, Twinsburg, OH (US)

2015/0065852 A1 \* 3/2015 Driemel ..... A61B 5/055  
600/410  
2017/0168124 A1 \* 6/2017 Ueda ..... A61B 5/0035

\* cited by examiner

(73) Assignee: **General Electric Company**,  
Schenectady, NY (US)

*Primary Examiner* — Anhdao Doan

(74) *Attorney, Agent, or Firm* — Grogan, Tuccillo &  
Vanderleeden, LLP

(\*\*) Term: **15 Years**

(57) **CLAIM**

(21) Appl. No.: **29/585,531**

The ornamental design for an MRI head coil mirror assem-  
bly, as shown and described.

(22) Filed: **Nov. 25, 2016**

(51) **LOC (11) Cl.** ..... **24-01**

(52) **U.S. Cl.**  
USPC ..... **D24/158**

(58) **Field of Classification Search**  
USPC ..... D24/107, 158–161, 185, 186, 187, 231;  
D6/300, 301, 302, 308, 310, 312  
CPC ..... A61B 5/0042; A61B 5/055; A61B 6/03;  
A61B 6/035; G01R 33/283; G01R  
33/4806; G01R 33/4812; G03B 21/145;  
G03B 21/30; G03B 21/54; G03B 21/585  
See application file for complete search history.

**DESCRIPTION**

FIG. 1 is a front perspective view of an MRI head coil mirror  
assembly showing our new design;  
FIG. 2 is a front view thereof;  
FIG. 3 is a rear view thereof;  
FIG. 4 is a side view thereof;  
FIG. 5 is an opposite side view thereof;  
FIG. 6 is a top plan view thereof;  
FIG. 7 is a bottom plan view thereof;  
FIG. 8 is a rear perspective view thereof; and,  
FIG. 9 is an additional front perspective view thereof.

(56) **References Cited**

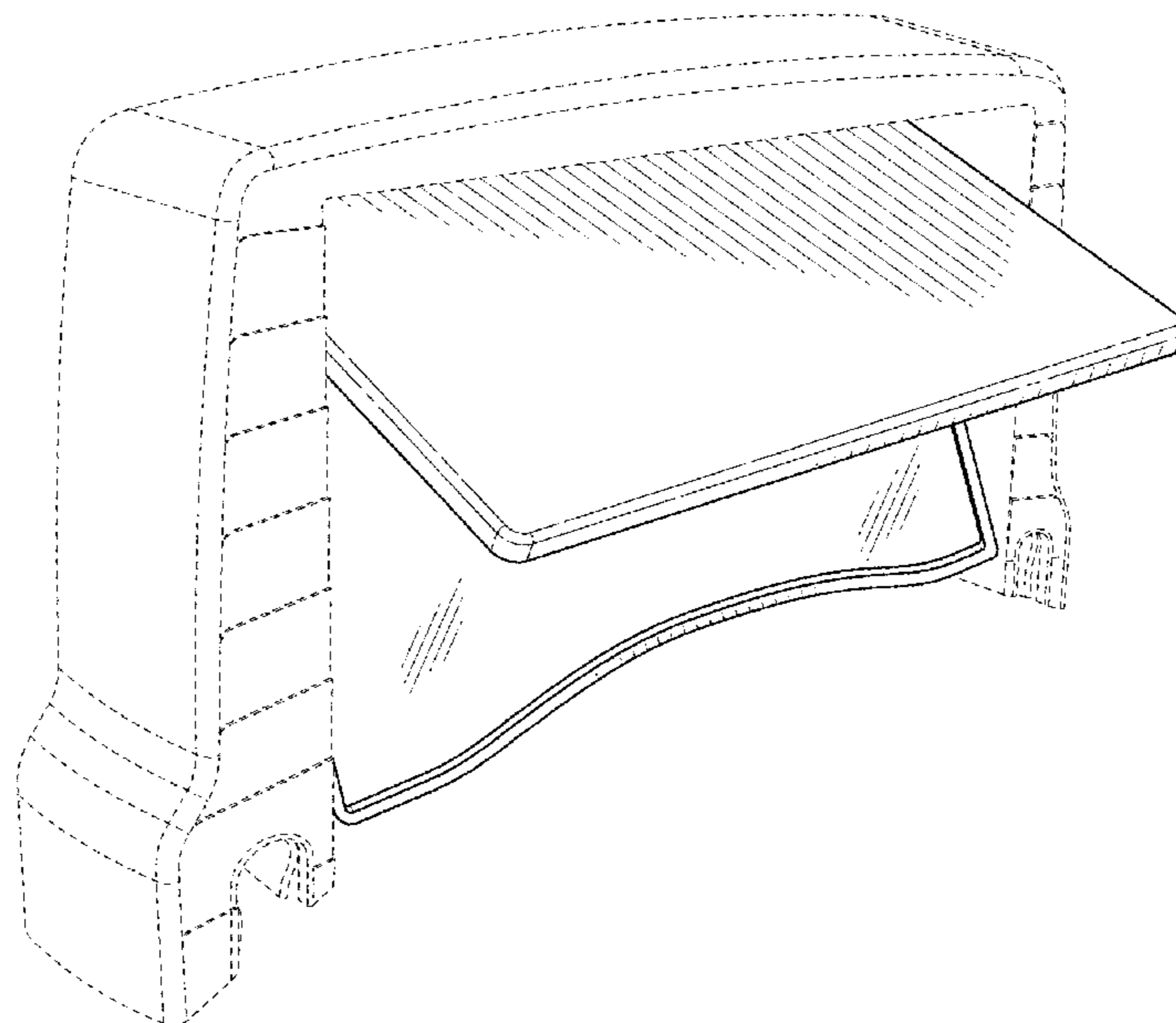
U.S. PATENT DOCUMENTS

2,822,478 A \* 2/1958 Wideroe ..... A61N 5/01  
378/190  
D409,396 S \* 5/1999 Bezdicek ..... D6/300

The broken line portion of the figures is included to show  
unclaimed subject matter only and forms no part of the  
claimed design.

The interior intersection of the mirrored panels does not  
form part of the claimed design.

**1 Claim, 6 Drawing Sheets**



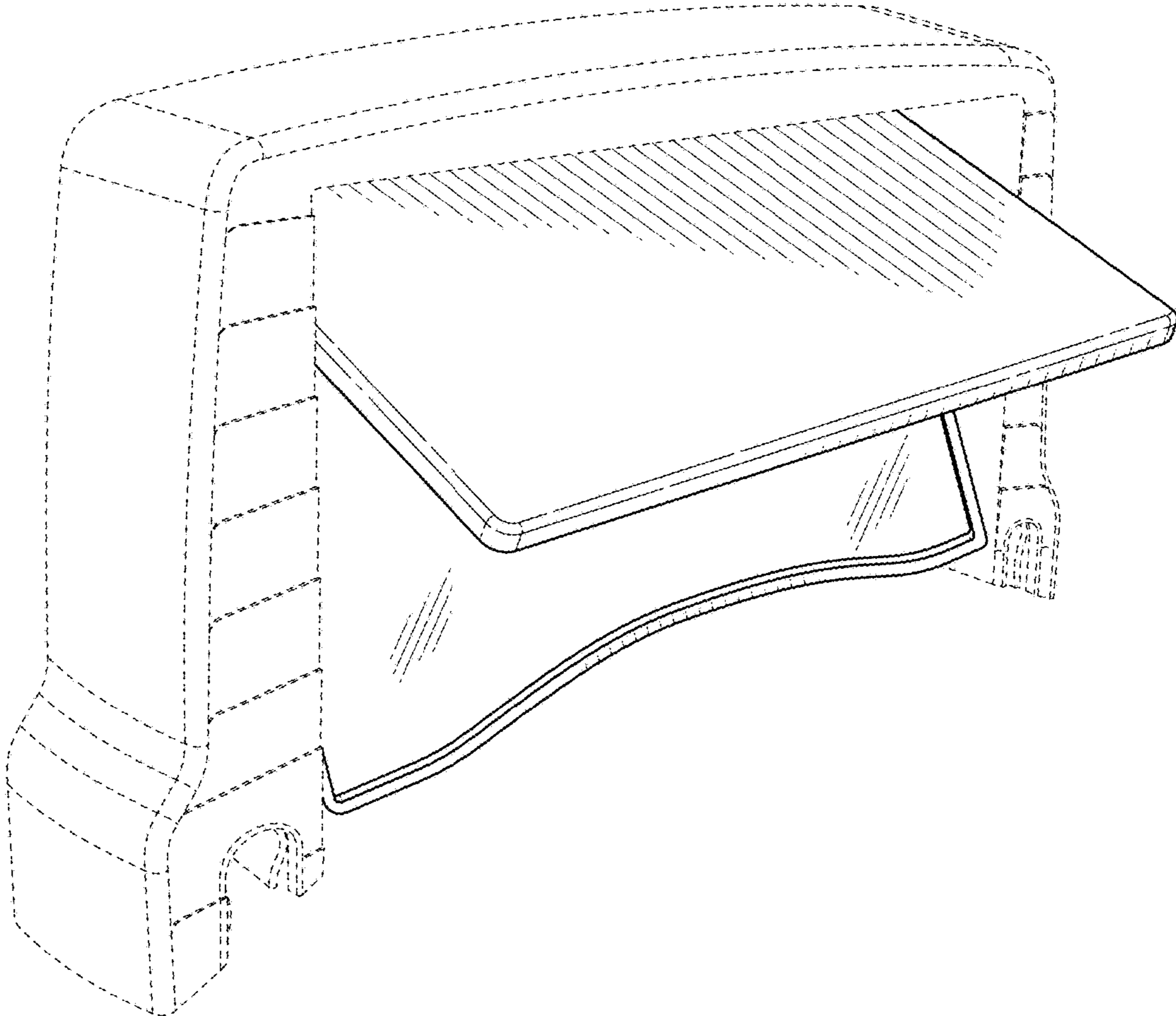


FIG. 1

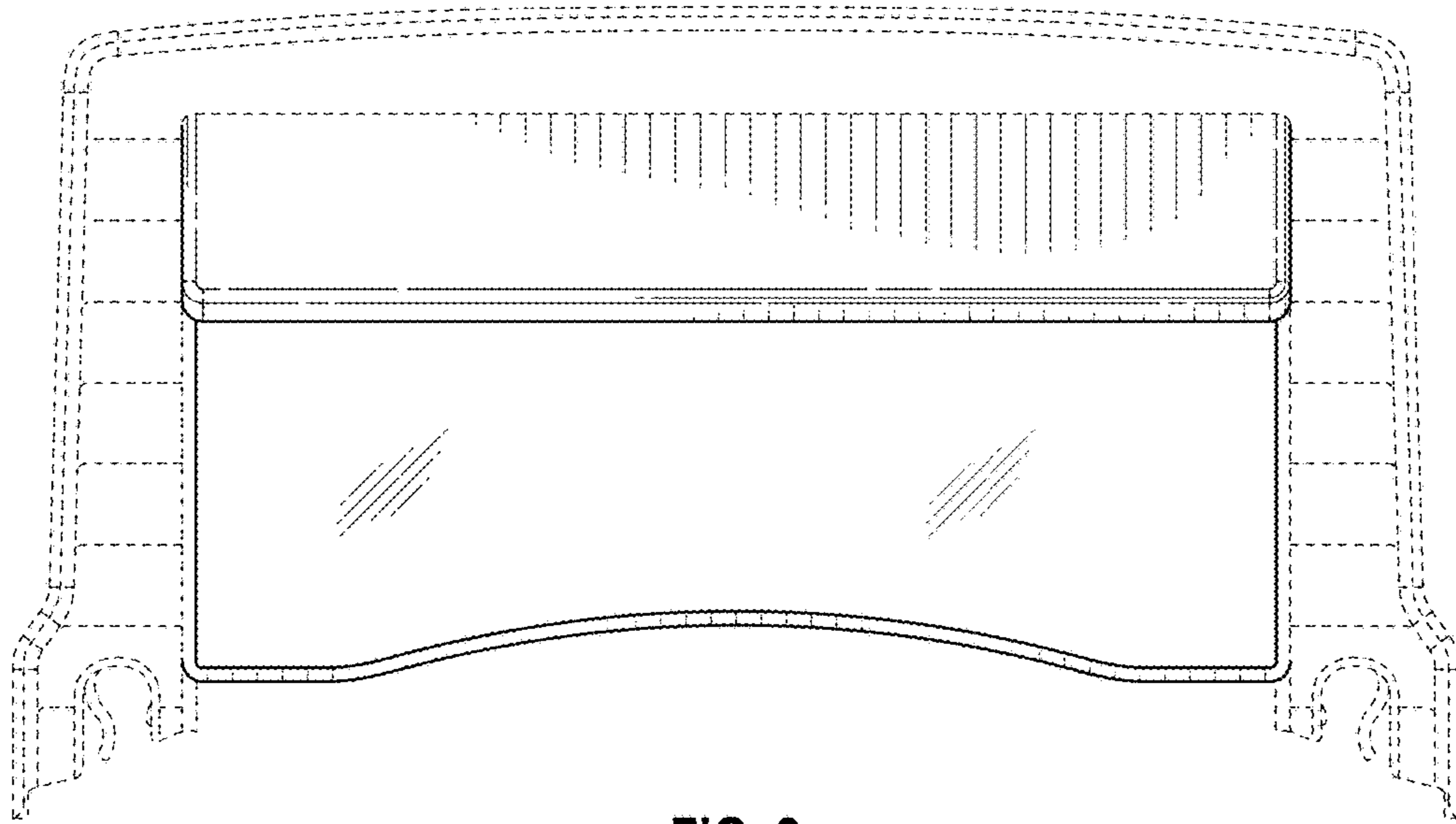


FIG. 2

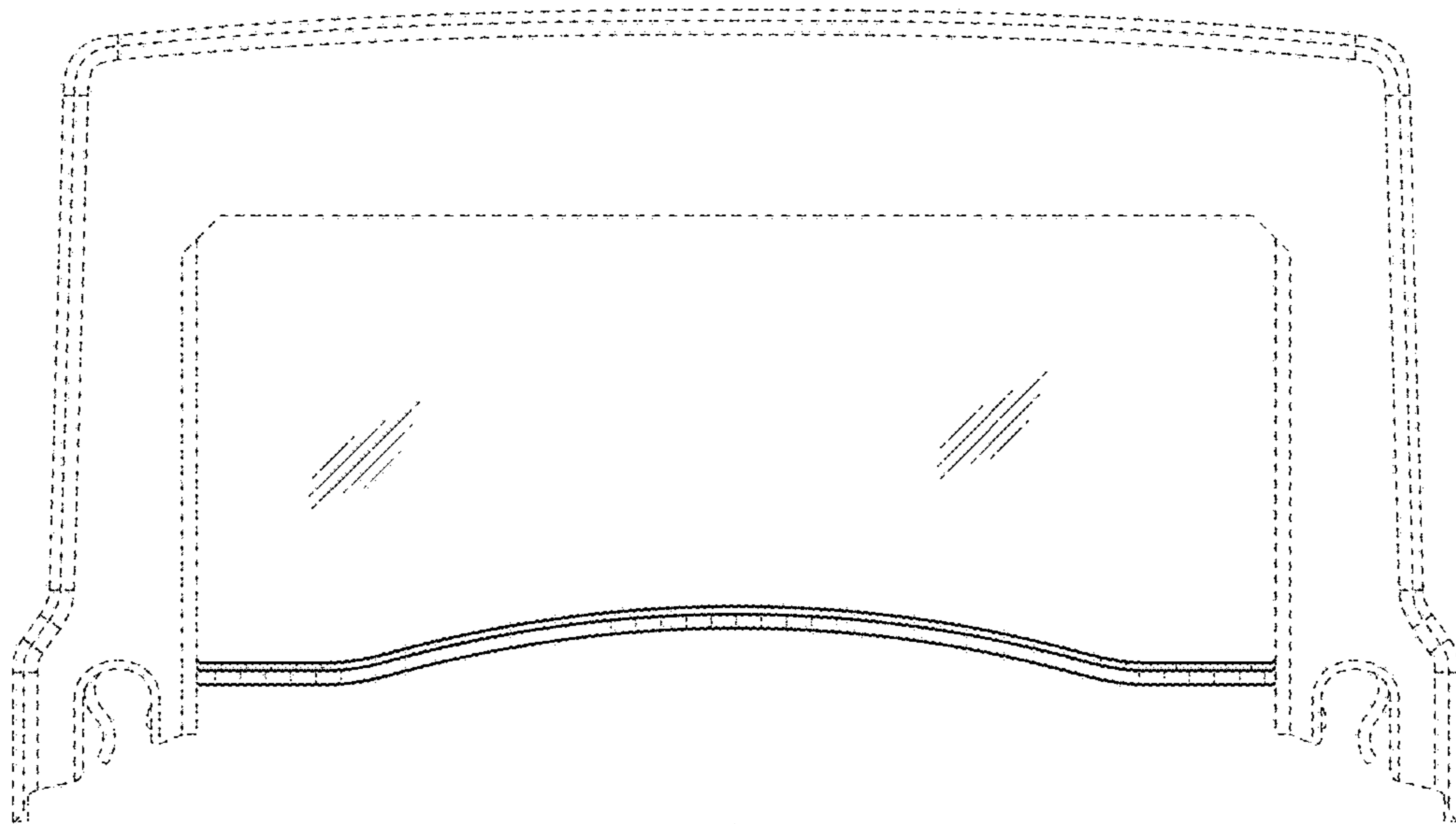


FIG. 3

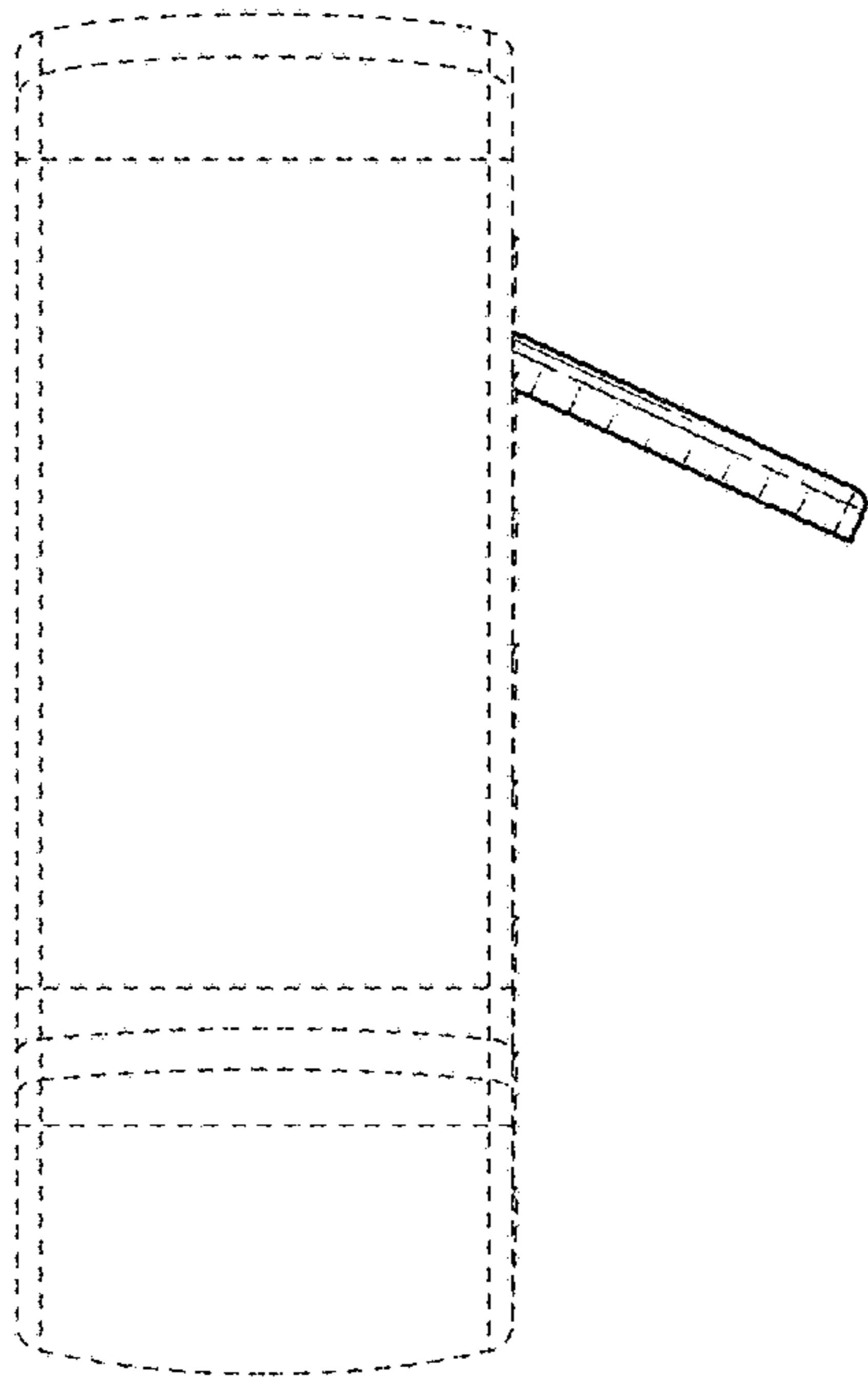


FIG. 4

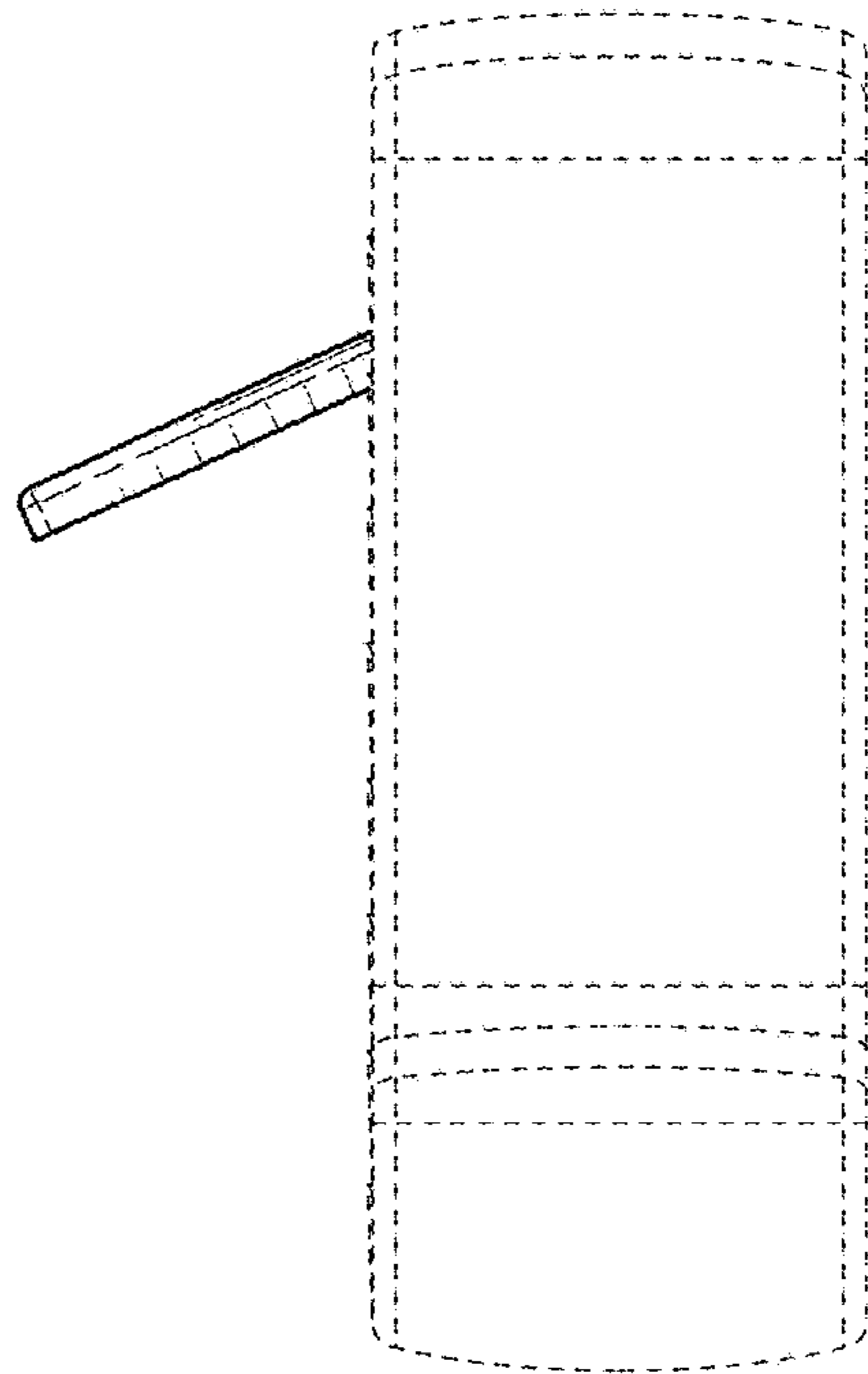


FIG. 5

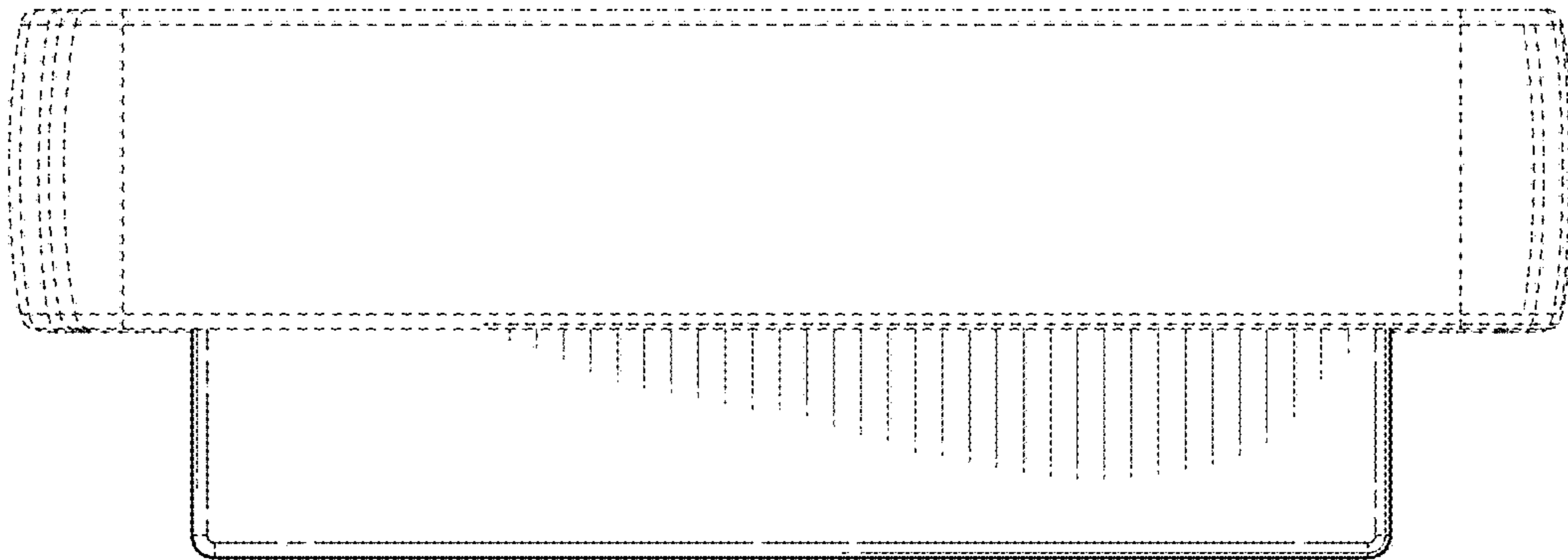


FIG. 6

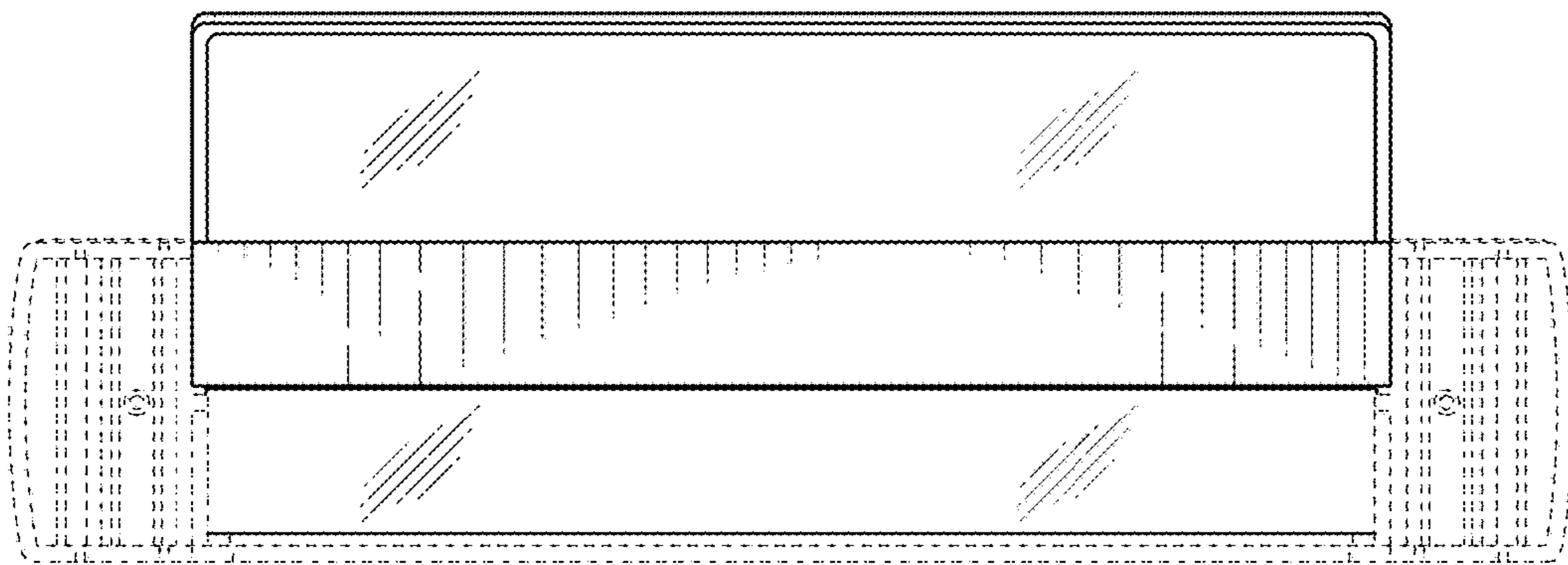


FIG. 7

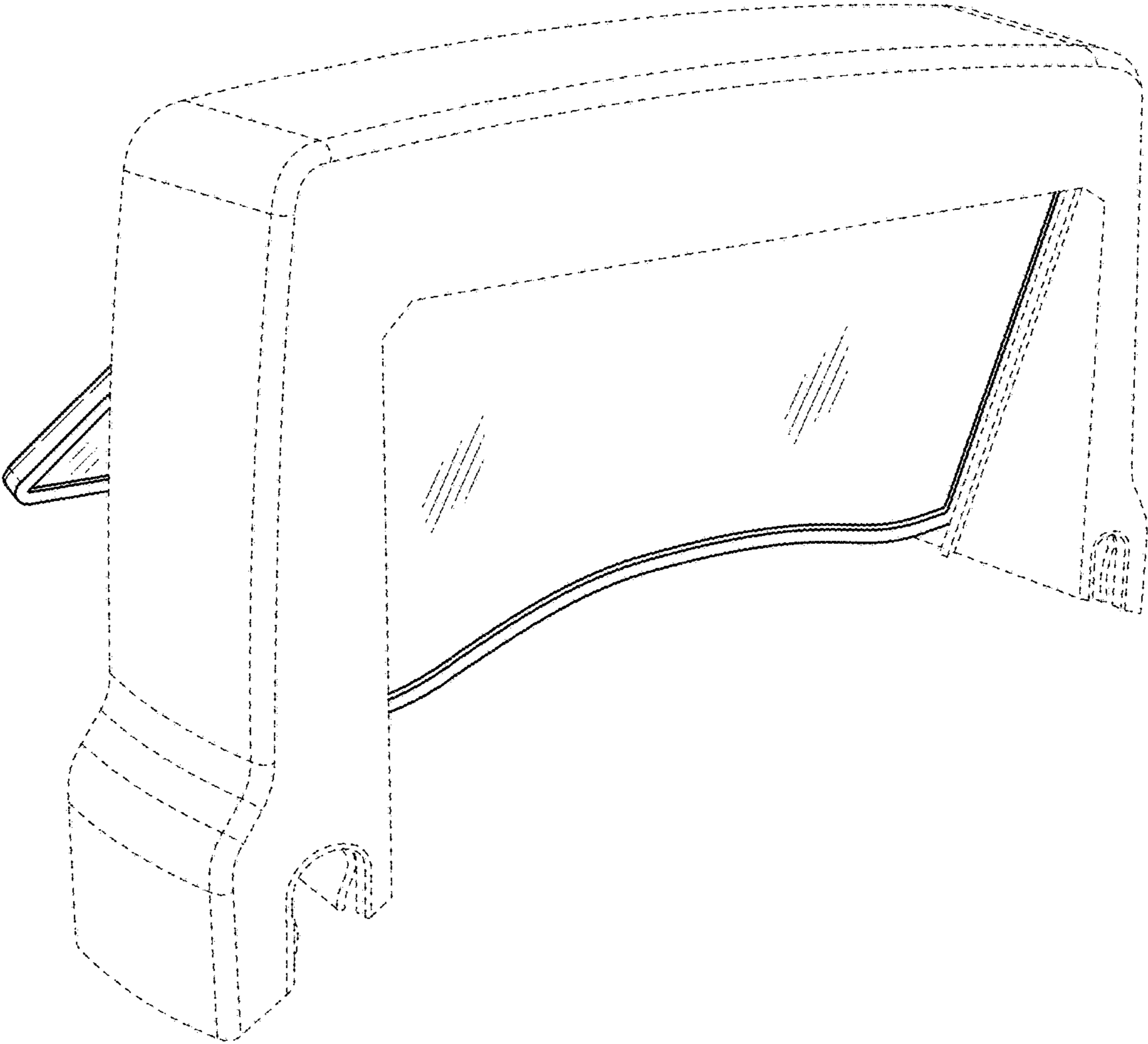


FIG. 8

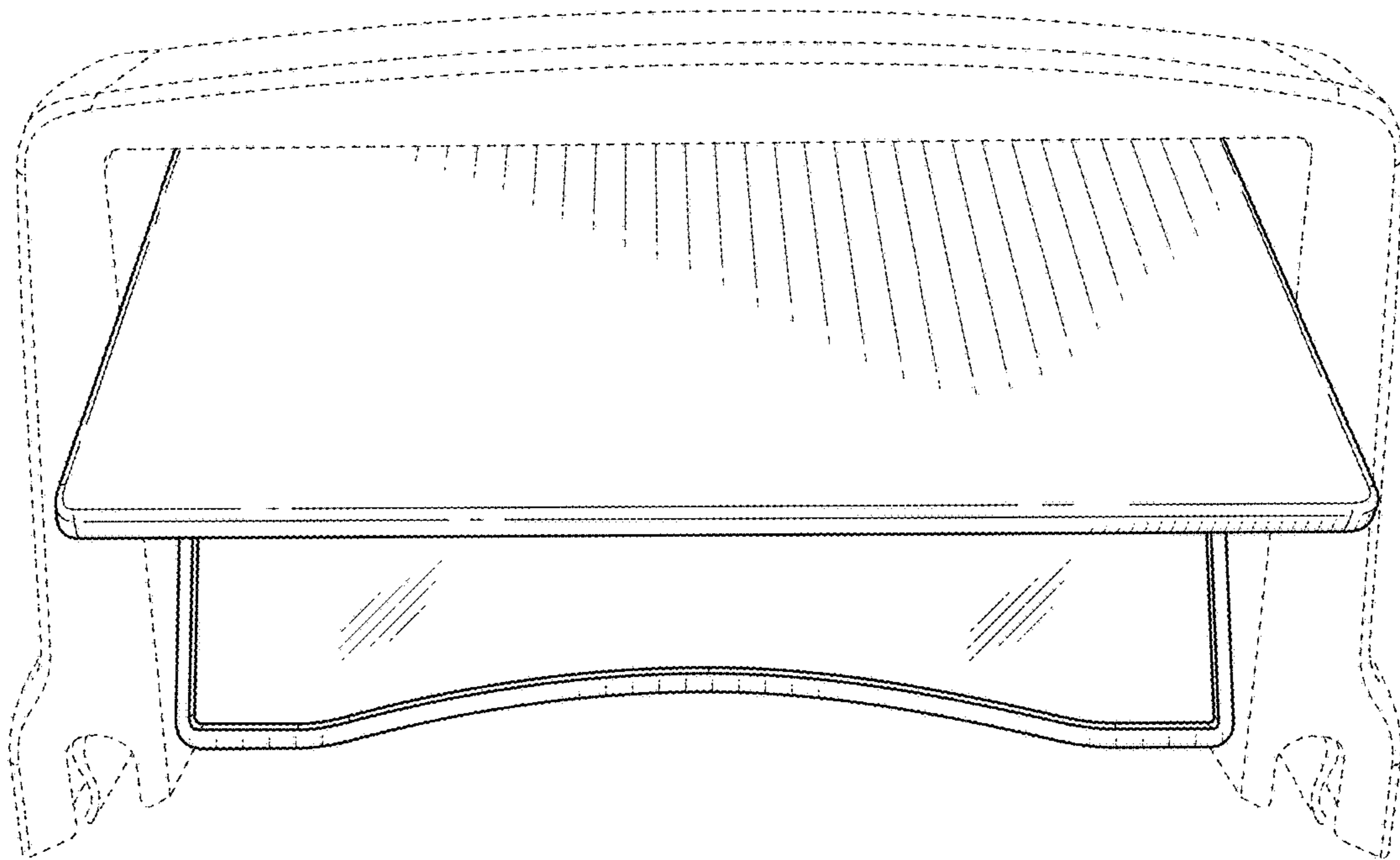


FIG. 9