



US00D832439S

(12) **United States Design Patent**
Alladu et al.

(10) **Patent No.:** **US D832,439 S**
(45) **Date of Patent:** **** Oct. 30, 2018**

(54) **SUTURE ANCHOR DISPENSER WITH DEPRESSION**

(71) Applicant: **Healthium Medtech Private Limited**,
Bangalore (IN)

(72) Inventors: **Hemanth Kumar Alladu**, Bangalore
(IN); **Vasuki BK**, Bangalore (IN);
Krishna Mohan Rao Apparasu,
Bangalore (IN); **Mohammed Azeez**,
Bangalore (IN); **Anoop Penupolu**,
Bangalore (IN); **Deepu B K Iyengar**,
Bangalore (IN)

(73) Assignee: **Healthium Medtech Private Limited**,
Bangalore (IN)

(**) Term: **15 Years**

(21) Appl. No.: **29/617,167**

(22) Filed: **Sep. 12, 2017**

(30) **Foreign Application Priority Data**

Mar. 13, 2017 (IN) 291703

(51) **LOC (11) Cl.** **24-02**

(52) **U.S. Cl.**
USPC **D24/145**

(58) **Field of Classification Search**
USPC D24/145-147
CPC A61B 17/0401; A61B 17/68; A61B
2017/0409; A61B 2017/0445; A61B
2017/0448; A61B 2017/0458

See application file for complete search history.

(56) **References Cited**

U.S. PATENT DOCUMENTS

2,959,172 A * 11/1960 Held A61B 17/0469
D24/145
D330,591 S * 10/1992 Rosenberg D24/147

5,207,679 A * 5/1993 Li A61B 17/0401
606/139
5,827,291 A * 10/1998 Fucci A61B 17/0401
606/104
D605,764 S * 12/2009 Griffis, III D24/145
7,645,293 B2 * 1/2010 Martinek A61B 17/0401
606/232
8,758,367 B2 * 6/2014 Philippon A61B 17/0401
606/139
9,421,037 B2 * 8/2016 Harper A61B 17/8875
(Continued)

Primary Examiner — Wan Laymon
(74) *Attorney, Agent, or Firm* — Grandhi Law Chambers;
Krishna C. V. Grandhi

(57) **CLAIM**

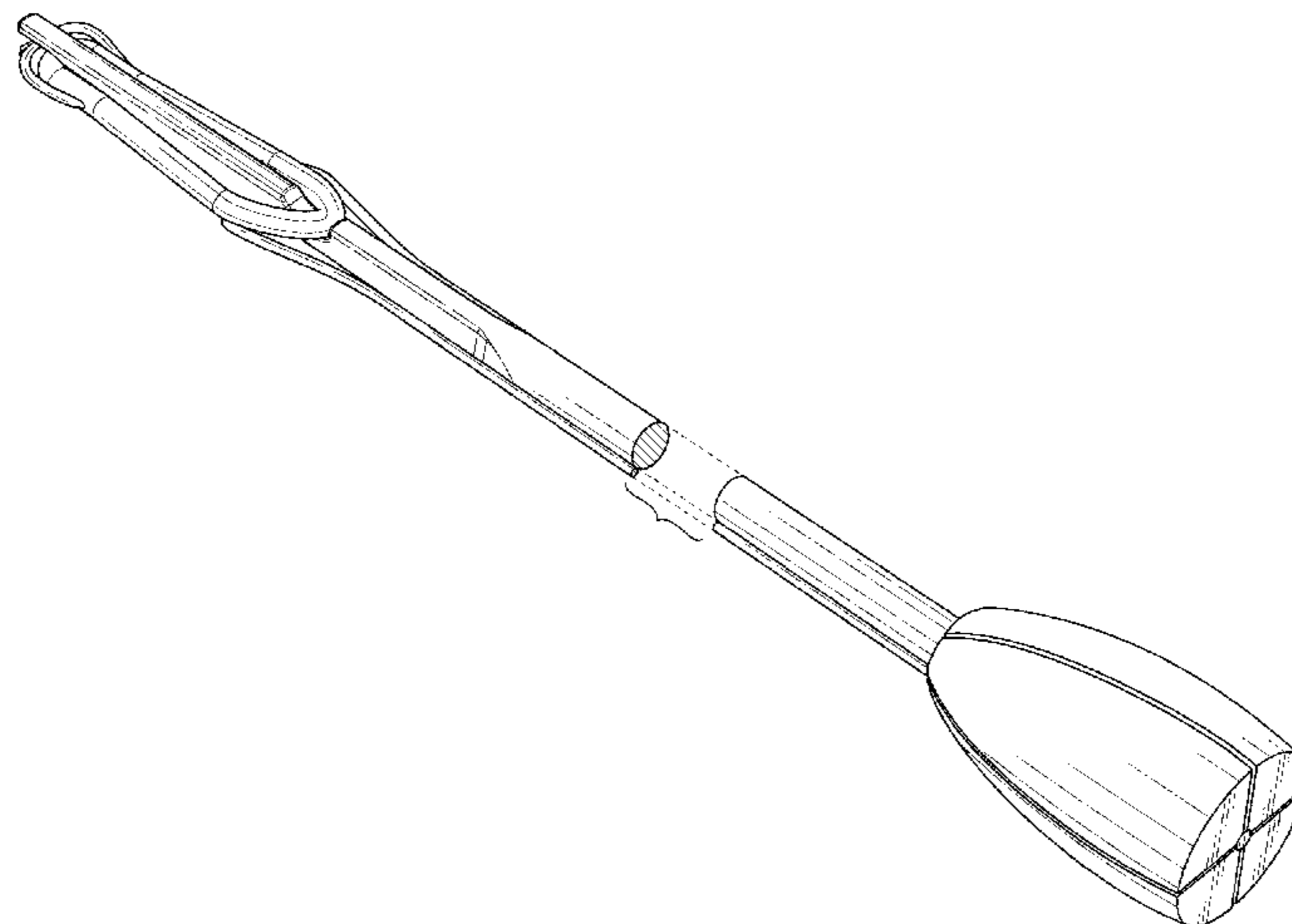
The ornamental design for a suture anchor dispenser with depression, as shown and described.

DESCRIPTION

FIG. 1 is a perspective view of a suture anchor dispenser with depression of the new design;
FIG. 2 is a front elevational view of the suture anchor dispenser with depression of FIG. 1;
FIG. 3 is a rear elevational view of the suture anchor dispenser with depression of FIG. 1;
FIG. 4 is a left-side elevational view of the suture anchor dispenser with depression of FIG. 1;
FIG. 5 is a right-side elevational view of the suture anchor dispenser with depression of FIG. 1;
FIG. 6 is a top plan view of the suture anchor dispenser with depression of FIG. 1; and,
FIG. 7 is a bottom plan view of the suture anchor dispenser with depression of FIG. 1.

The broken lines shown in the drawings are included for purposes of illustrating portions of the design or environment and form no part of the claimed design.
The broken away symbols in the drawings indicate the appearance of any portion of the article between the break lines forms no part of the claimed design.

1 Claim, 4 Drawing Sheets



(56)

References Cited

U.S. PATENT DOCUMENTS

9,924,934 B2 * 3/2018 Housman A61B 17/0401
2014/0172016 A1 * 6/2014 Housman A61B 17/0401
606/232
2014/0364905 A1 * 12/2014 Lunn A61B 17/0401
606/232
2017/0172562 A1 * 6/2017 Lombardo A61B 17/0401

* cited by examiner

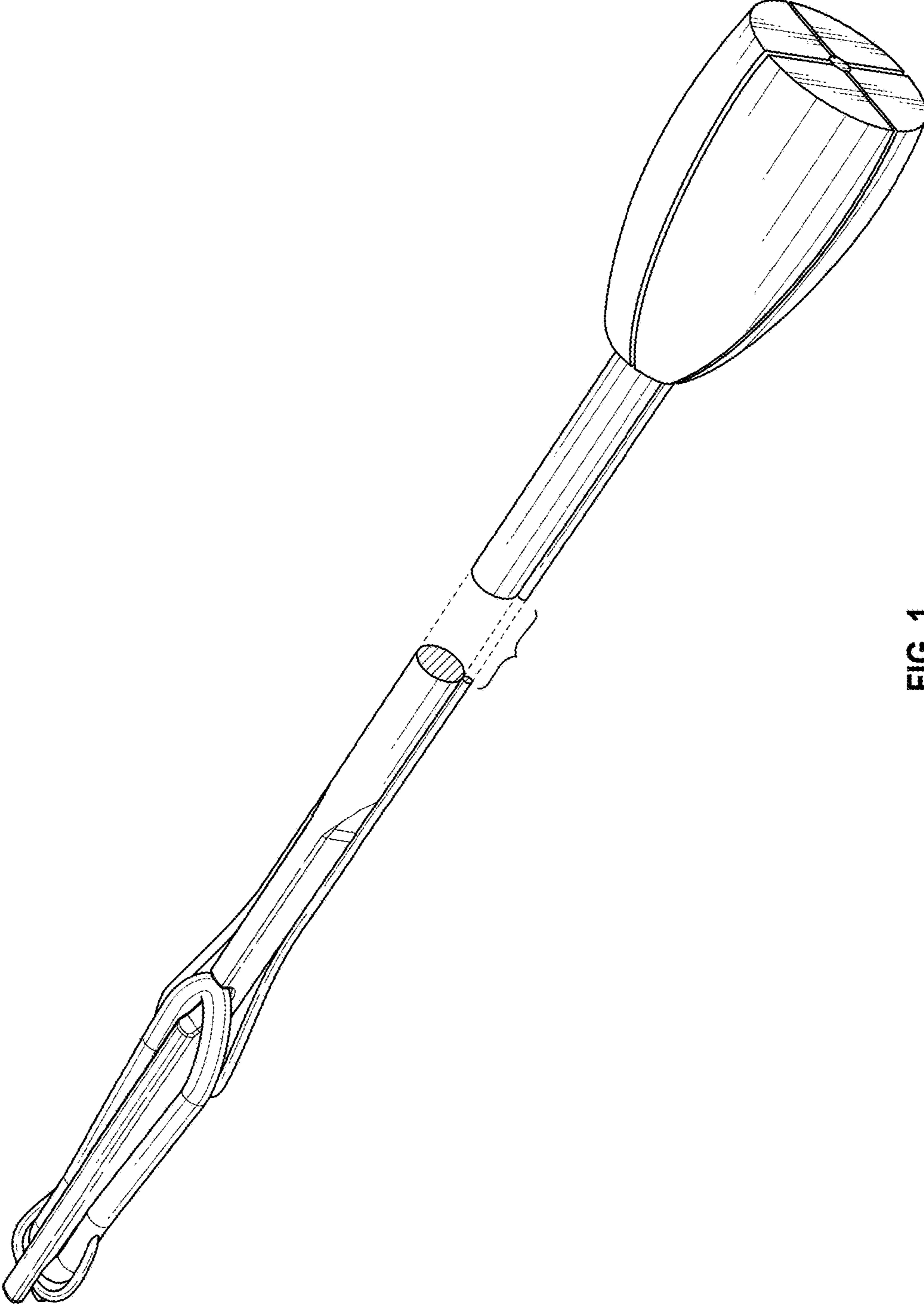


FIG. 1

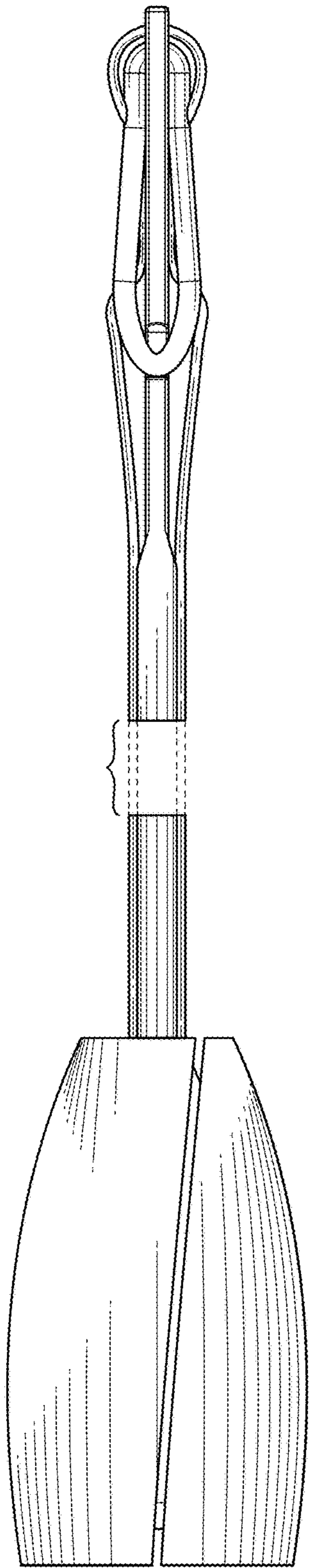


FIG. 2

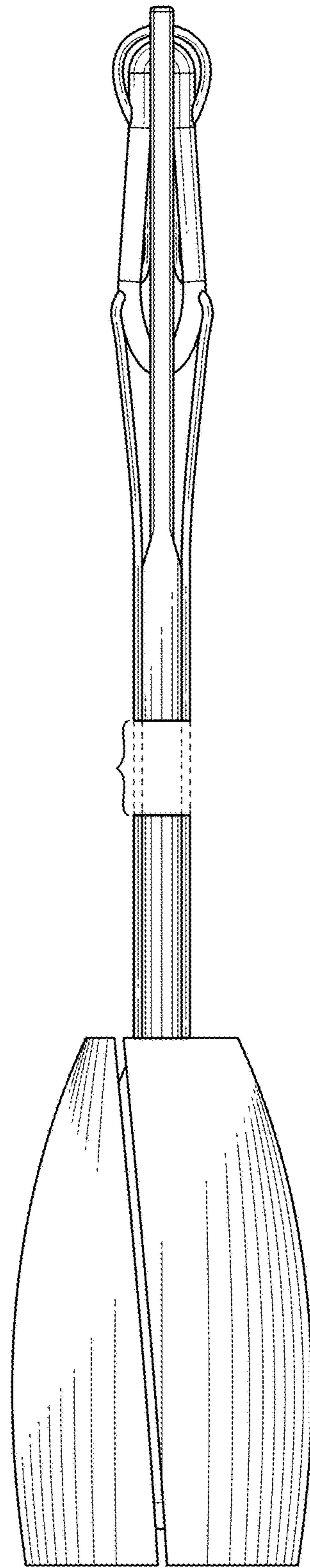


FIG. 3

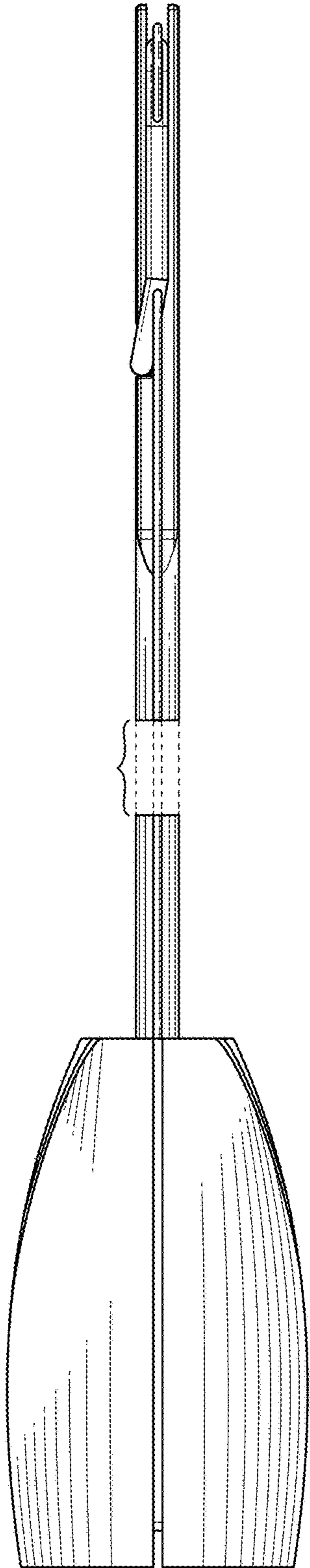


FIG. 4

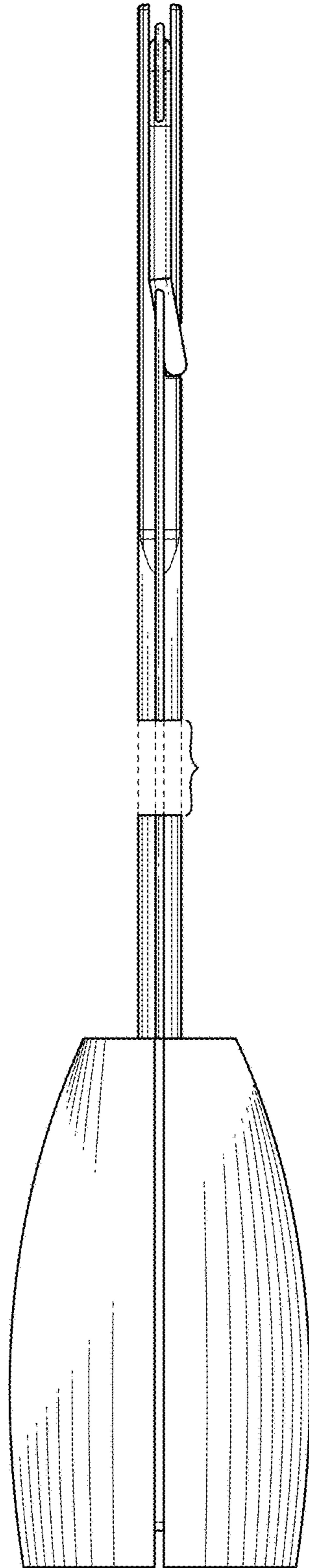


FIG. 5

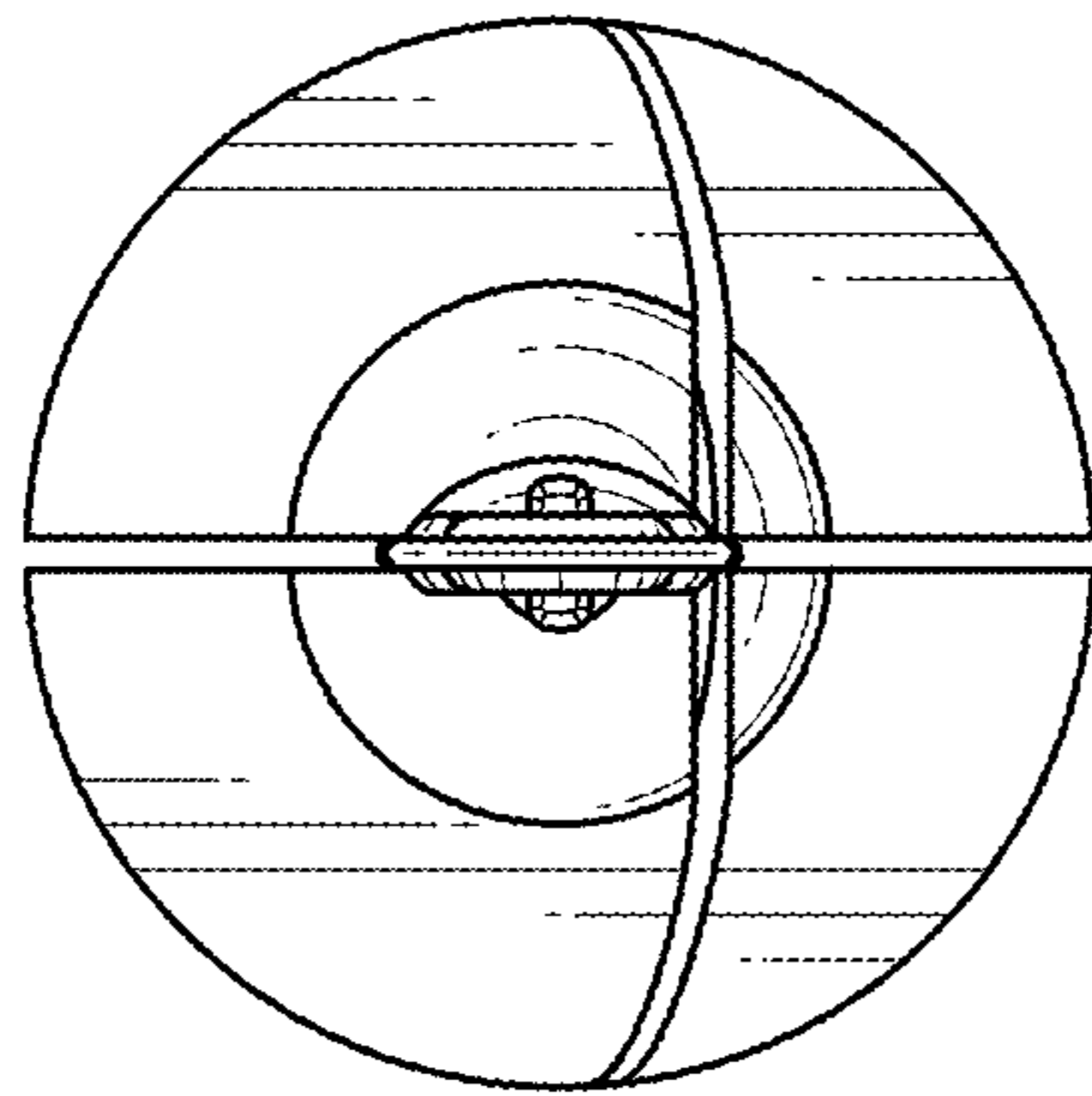


FIG. 6

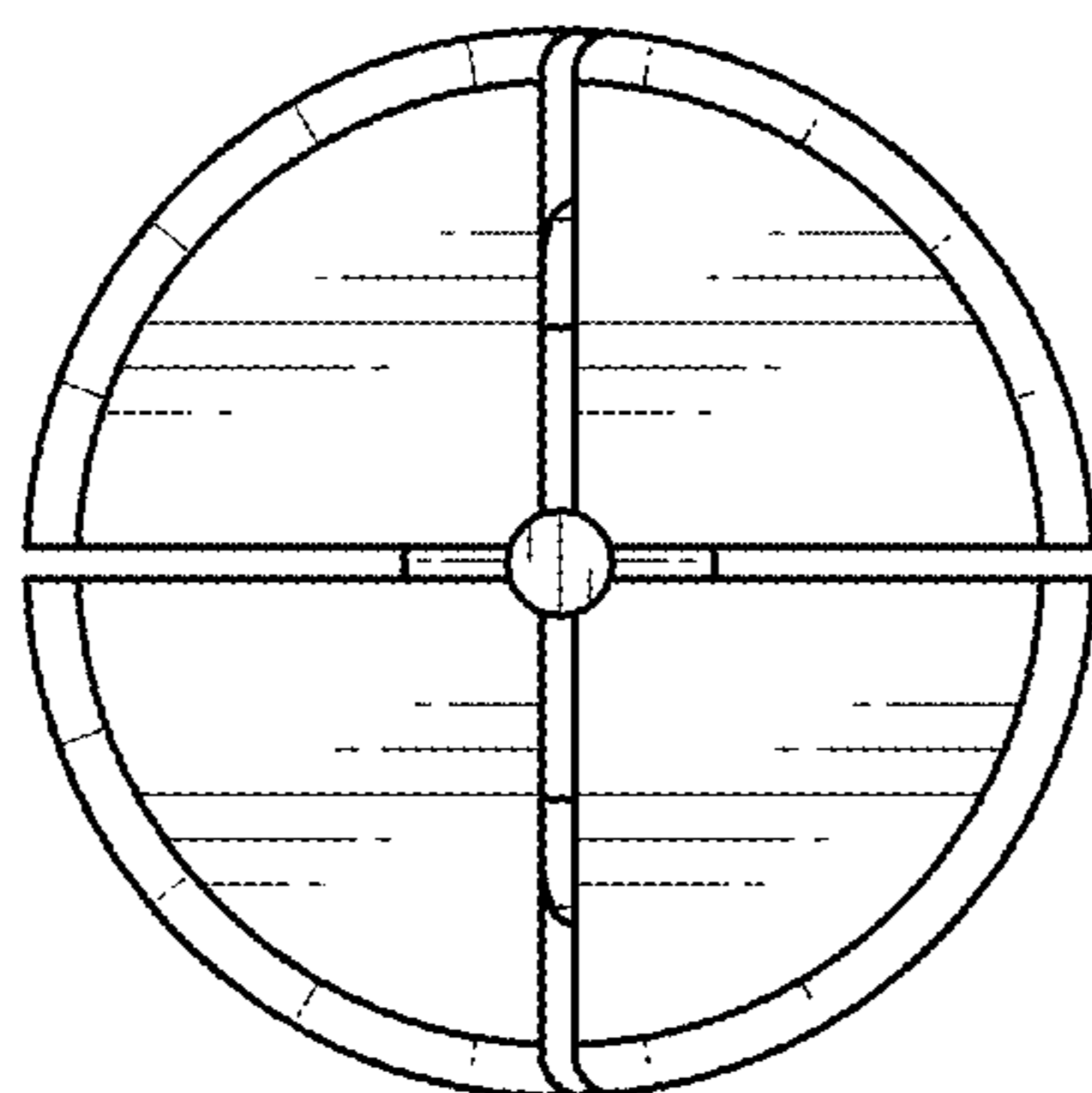


FIG. 7