



US00D832438S

(12) **United States Design Patent** (10) **Patent No.:** **US D832,438 S**  
**Brockway** (45) **Date of Patent:** **\*\* Oct. 30, 2018**

(54) **MENSTRUAL CUP**  
(71) Applicant: **Lady Business LLC**, Portland, OR (US)  
(72) Inventor: **Meagan Kennedy Brockway**, Portland, OR (US)  
(73) Assignee: **Lady Business LLC**, Portland, OR (US)  
(\*\*) Term: **15 Years**

D323,212 S 1/1992 Crawford  
5,827,248 A 10/1998 Crawford  
D746,452 S 12/2015 Petrova  
D760,897 S 7/2016 Teo  
2008/0077097 A1 3/2008 Chambers et al.  
2010/0312204 A1\* 12/2010 Sheu ..... A61F 6/08  
604/330  
2015/0164680 A1\* 6/2015 Chen ..... A61F 5/4553  
604/330  
2017/0049609 A1\* 2/2017 Conti ..... A61F 6/12  
2017/0189222 A1 7/2017 Lin  
2018/0028350 A1 2/2018 Wilson et al.

(21) Appl. No.: **29/625,758**  
(22) Filed: **Nov. 13, 2017**

**Related U.S. Application Data**

(63) Continuation-in-part of application No. 15/804,854, filed on Nov. 6, 2017.  
(51) **LOC (11) Cl.** ..... **24-02**  
(52) **U.S. Cl.**  
USPC ..... **D24/141**  
(58) **Field of Classification Search**  
USPC ..... D24/141, 124-125  
CPC ..... A61F 5/4553; A61F 5/455; A61F 6/08; A61F 6/12  
See application file for complete search history.

**References Cited**

**U.S. PATENT DOCUMENTS**

(56) 1,891,761 A 12/1932 Goddard  
2,089,113 A \* 8/1937 Chalmers ..... A61F 5/4553  
604/330  
2,534,900 A 12/1950 Chalmers  
3,404,682 A 10/1968 Waldron  
3,626,942 A \* 12/1971 Waldron ..... A61F 5/4553  
604/330  
3,845,766 A 11/1974 Zöller

**OTHER PUBLICATIONS**

Diva International, "Diva Cup," product information page from an ecommerce website on which the product is sold: [www.cottonbabies.com/products/diva-international-the-diva-cup](http://www.cottonbabies.com/products/diva-international-the-diva-cup), available at least as early as Nov. 6, 2017.

(Continued)

*Primary Examiner* — Wan Laymon  
(74) *Attorney, Agent, or Firm* — DASCENZO Intellectual Property Law, P.C.

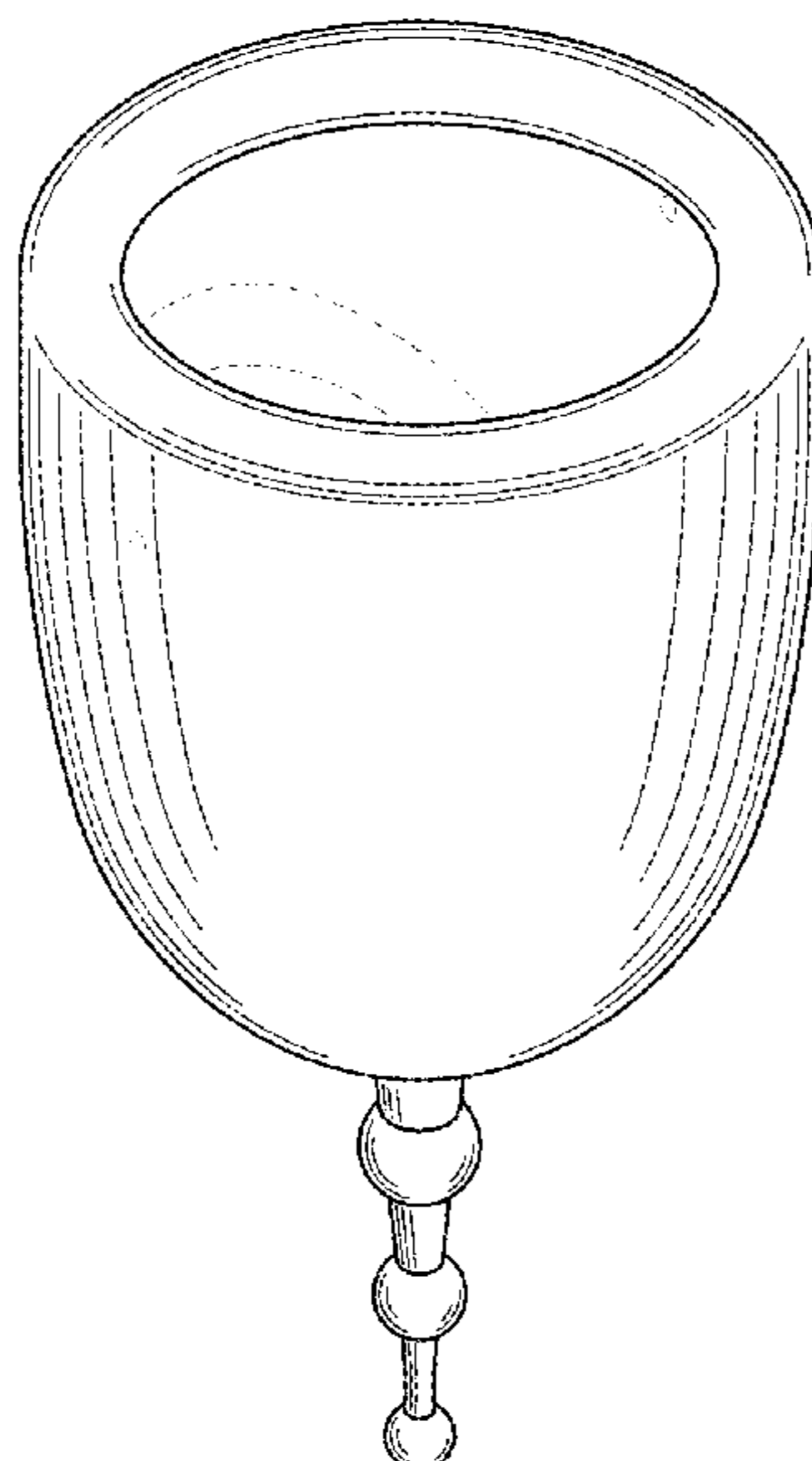
(57) **CLAIM**

The ornamental design for a menstrual cup, as shown and described.

**DESCRIPTION**

FIG. 1 is a bottom perspective view of a menstrual cup showing the new design;  
FIG. 2 is a top perspective view thereof;  
FIG. 3 is a side view thereof;  
FIG. 4 is another side view thereof;  
FIG. 5 is a top view thereof; and,  
FIG. 6 is a bottom view thereof.  
The broken lines shown in the drawings represent portions of the menstrual cup that form no part of the claimed design.

**1 Claim, 3 Drawing Sheets**



(56)

**References Cited**

## OTHER PUBLICATIONS

Intima, Lily Cup & Lily Cup Compact product information page: [www.intima.com/en/lily\\_cups](http://www.intima.com/en/lily_cups), available at least as early as Nov. 6, 2017.

MeLuna, Me Luna menstrual cups sample set order page: [meluna-usa.com/index.php/where-to-buy/2013-11-19-04-53-49#!/MeLuna-EDUCATOR-Sample-Set/p/56855011/category=7122490](http://meluna-usa.com/index.php/where-to-buy/2013-11-19-04-53-49#!/MeLuna-EDUCATOR-Sample-Set/p/56855011/category=7122490), available at least as early as Nov. 6, 2017.

Lunette, “Lunette Menstrual Cup” product information page: [store.lunette.com/products/lunette-menstrual-cup-violet](http://store.lunette.com/products/lunette-menstrual-cup-violet), available at least as early as Nov. 6, 2017.

Rubycup, “Ruby Cup” product information page: [shop.rubycup.com/shop/ruby-cup-sisterpack/](http://shop.rubycup.com/shop/ruby-cup-sisterpack/), available at least as early as Nov. 6, 2017.

Anigan, “EvaCup” product information page, [www.anigan.com/collections/eva-cup-products/products/anigan-evacup-single-pack](http://www.anigan.com/collections/eva-cup-products/products/anigan-evacup-single-pack), available at least as early as Nov. 6, 2017.

Fleurecup, “Fleurecup” product information page: [www.fleurecup.com/default.htm](http://www.fleurecup.com/default.htm), available at least as early as Nov. 6, 2017.

Super Jennie, “Super Jennie Menstrual Cup” product information page: [www.superjennie.com/products/super-jennie-menstrual-cup](http://www.superjennie.com/products/super-jennie-menstrual-cup), available at least as early as Nov. 6, 2017.

The Keeper, Inc., “The Keeper Cup” product information page: [keeper.com/shop/the-keeper-cup/](http://keeper.com/shop/the-keeper-cup/), available at least as early as Nov. 6, 2017.

The Keeper, Inc., “The Moon Cup” product information page: [keeper.com/shop/the-moon-cup/](http://keeper.com/shop/the-moon-cup/), available at least as early as Nov. 6, 2017.

Yuuki, “Yuuki cup” product information page from an ecommerce website on which product is sold: [menstrualcup.co/shop/products/Yuuki.html?lang=en](http://menstrualcup.co/shop/products/Yuuki.html?lang=en), available at least as early as Nov. 6, 2017.

Lena, “Lena Cup” product information page: [lenacup.com/products/lena-2-pack](http://lenacup.com/products/lena-2-pack), available at least as early as Nov. 6, 2017.

Sckoon, “SckoonCup” product information page: [www.sckoon.com/collections/clothmenstrualpads-menstrual-cup/products/sckooncup-soft-menstrual-cup-purple-zen](http://www.sckoon.com/collections/clothmenstrualpads-menstrual-cup/products/sckooncup-soft-menstrual-cup-purple-zen), available at least as early as Nov. 6, 2017.

\* cited by examiner

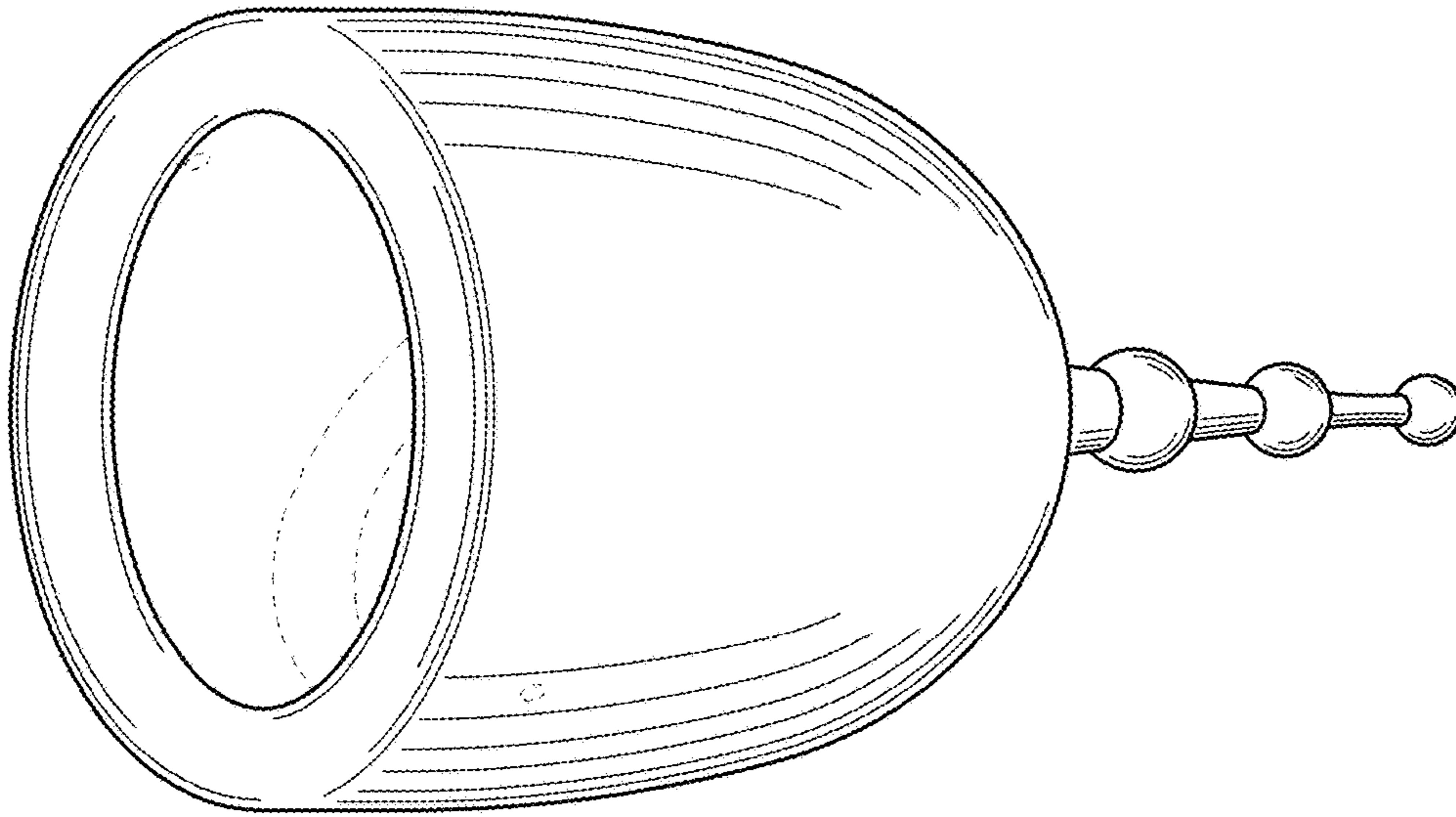


FIG. 2

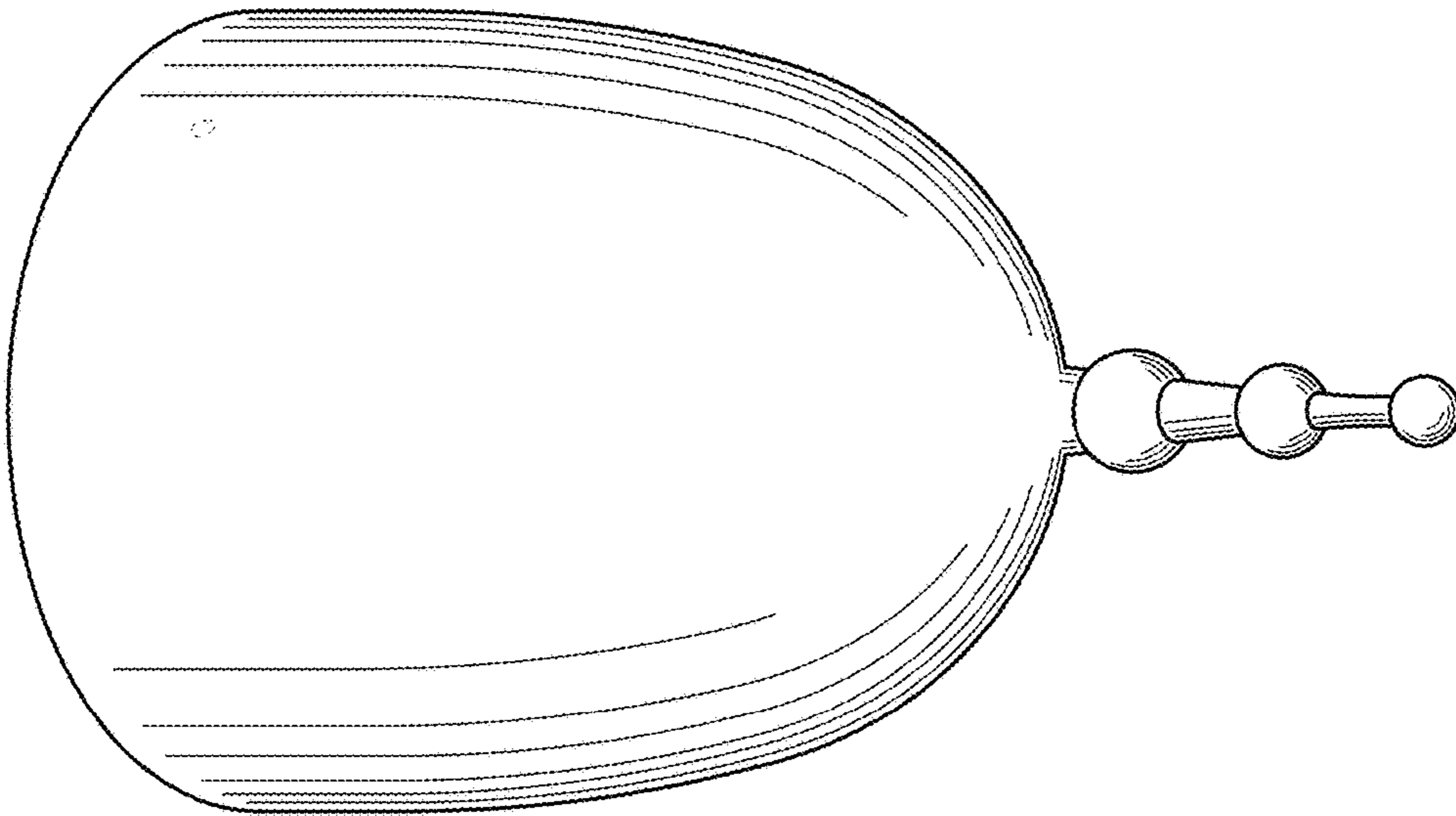


FIG. 1

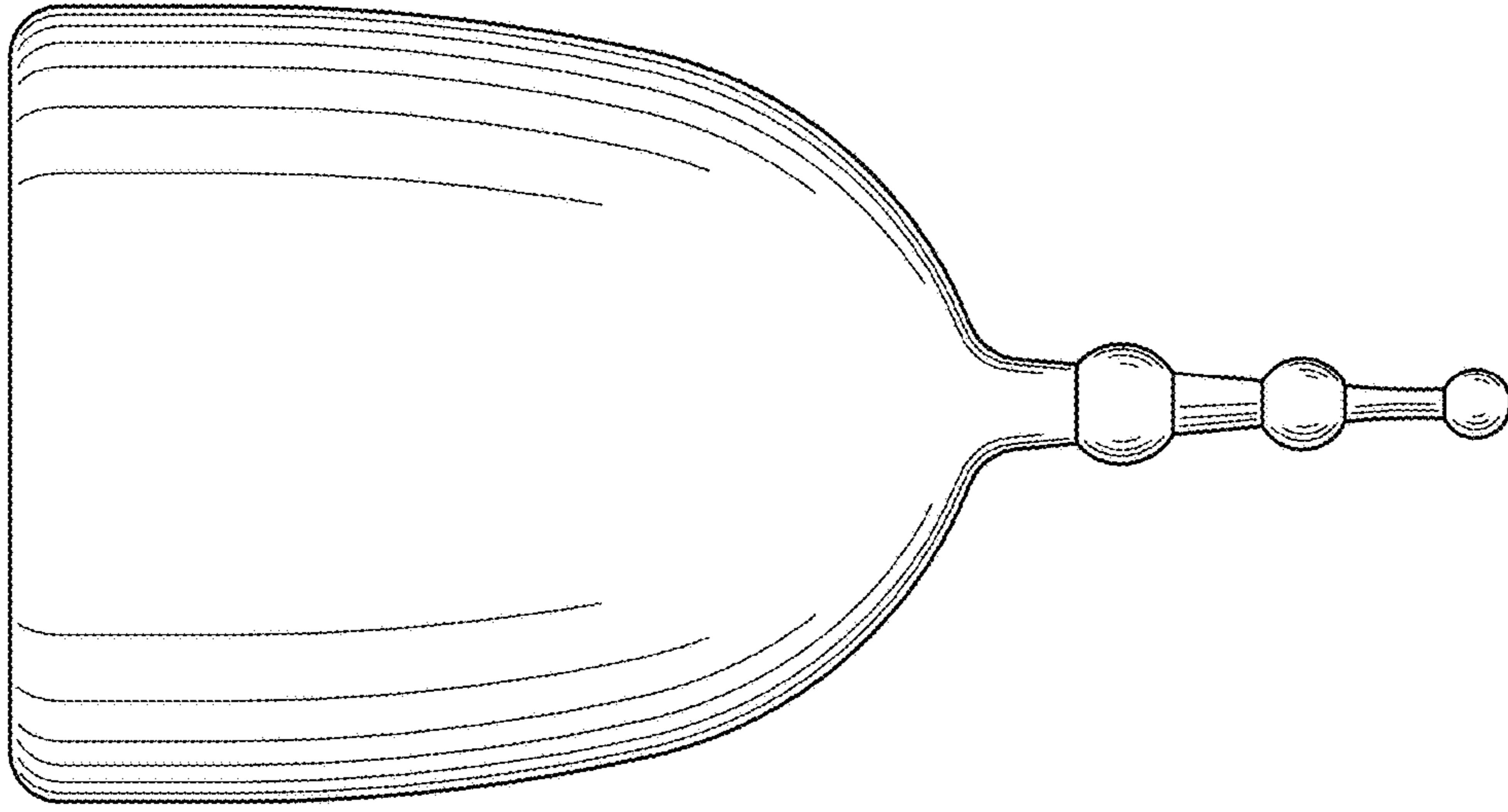


FIG. 4

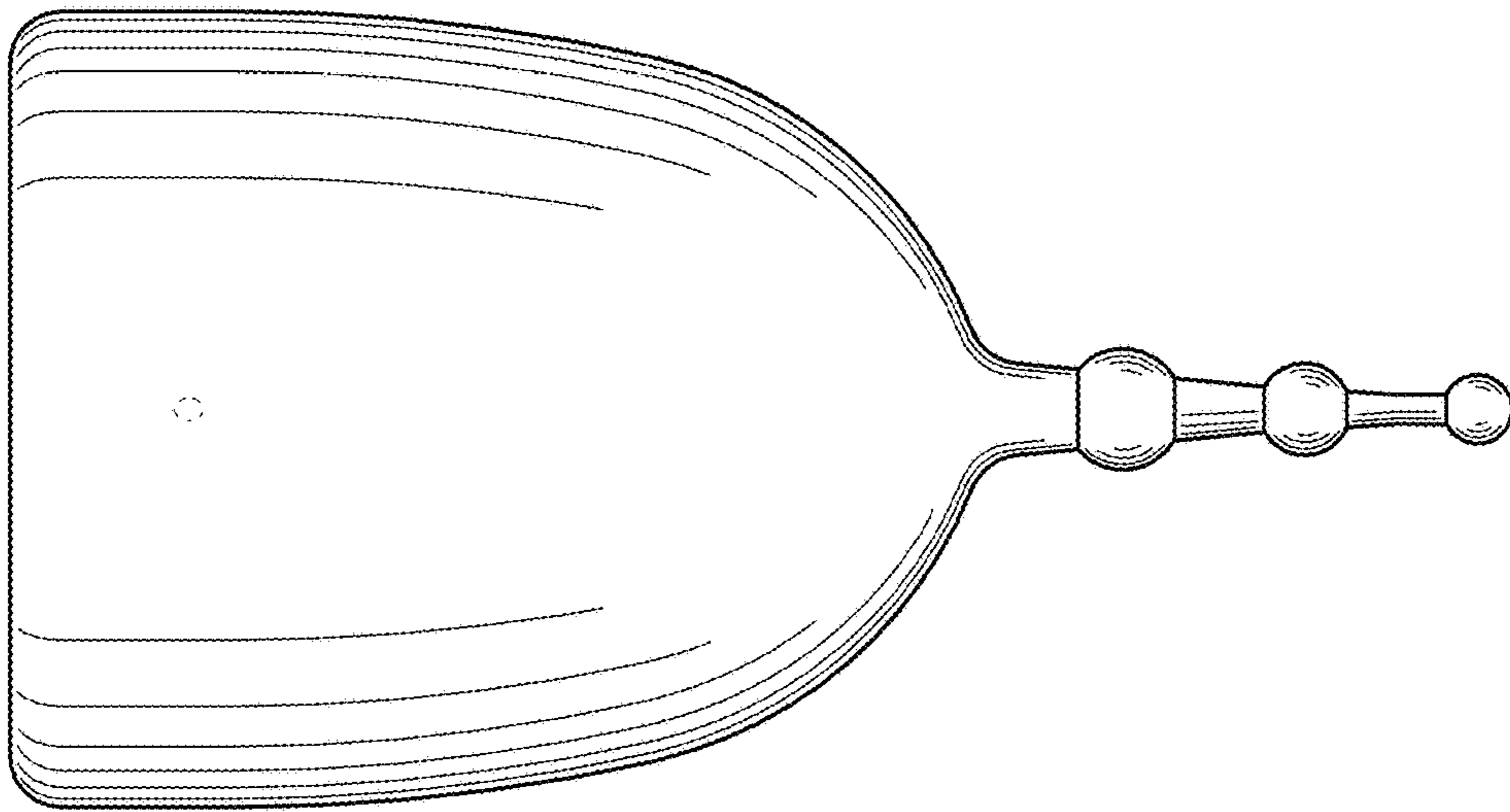


FIG. 3

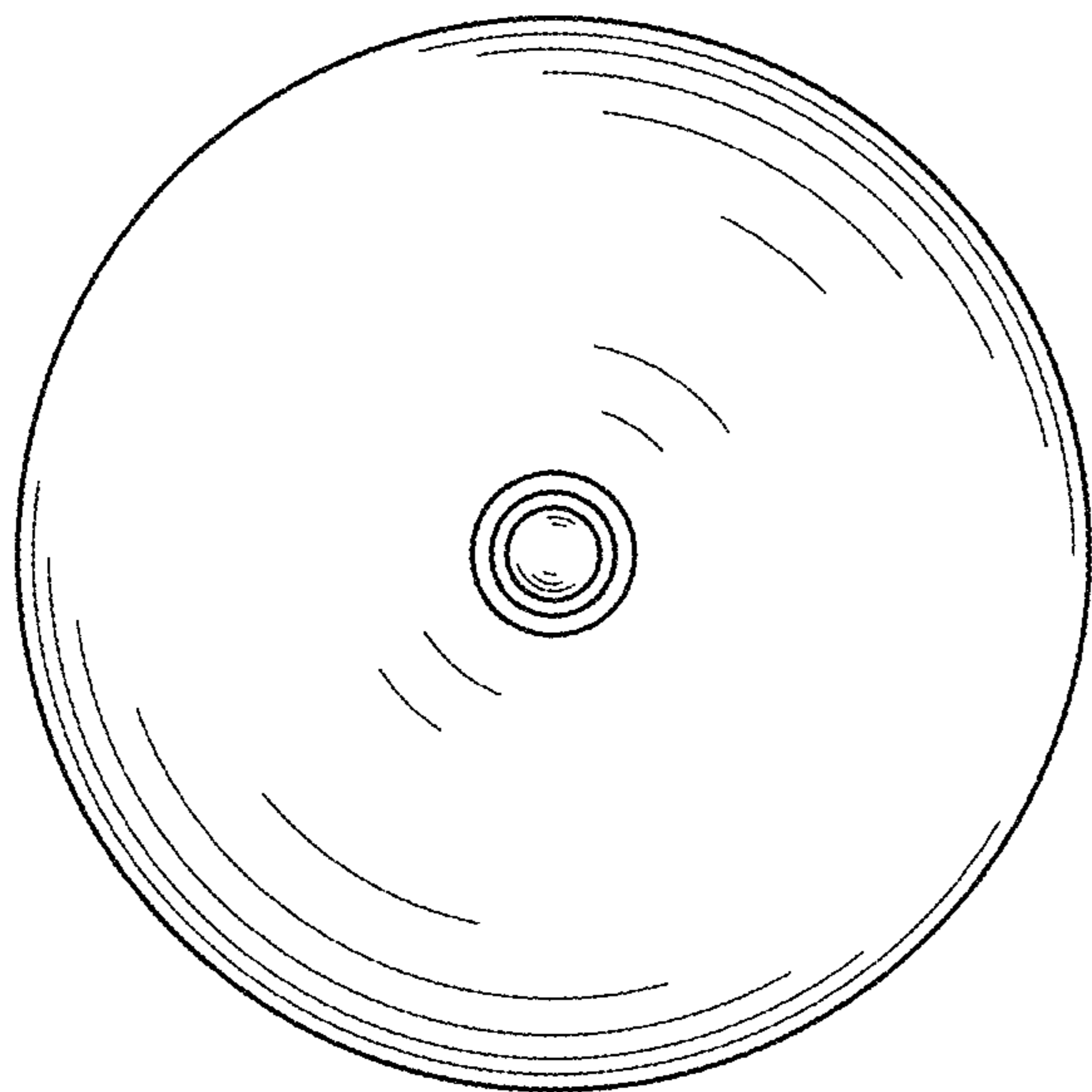


FIG. 6

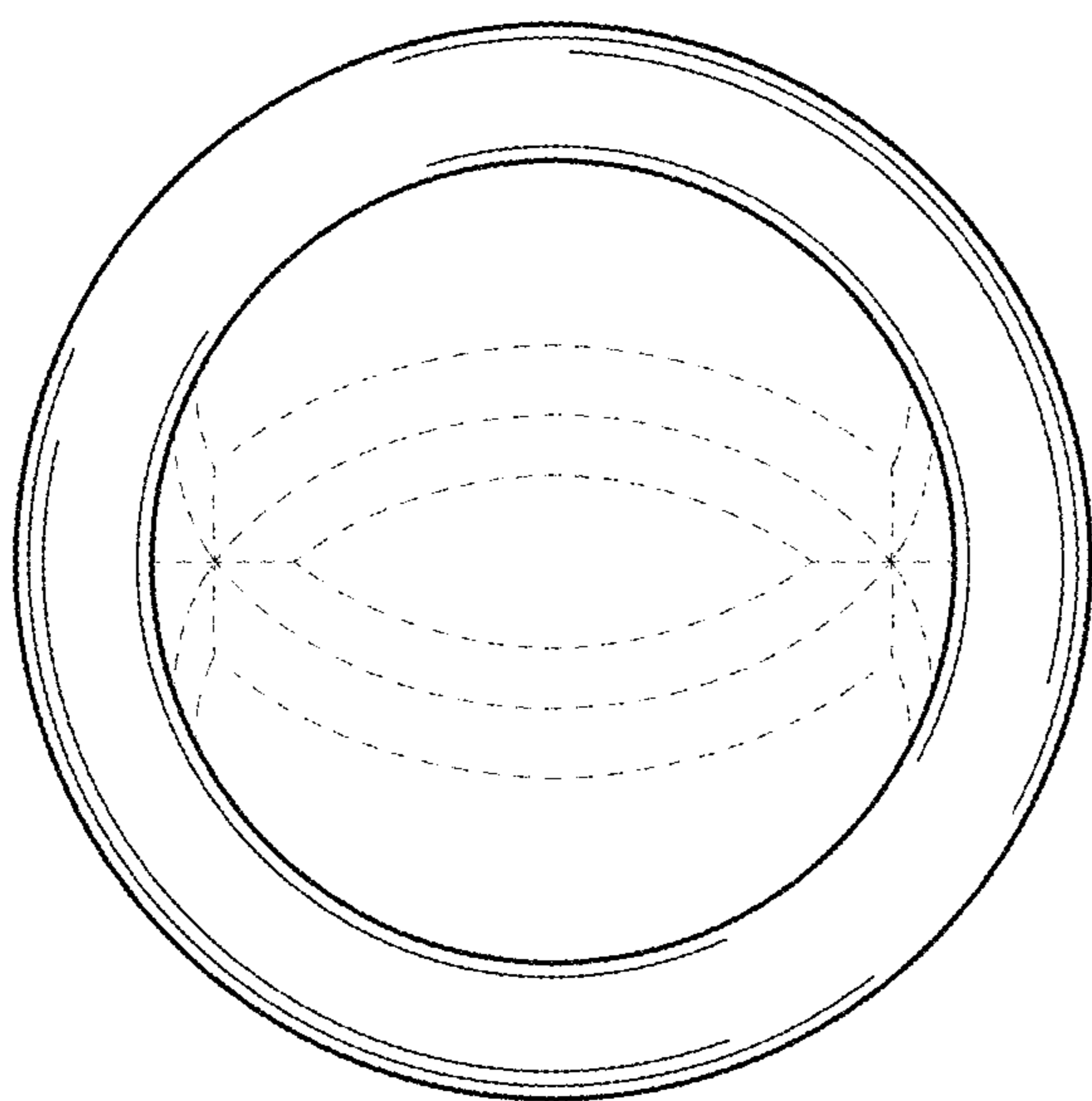


FIG. 5