



US00D832437S

(12) **United States Design Patent** (10) **Patent No.:** **US D832,437 S**  
**Zeltwanger et al.** (45) **Date of Patent:** **\*\* Oct. 30, 2018**

(54) **INCONTINENCE DEVICE**

(71) Applicant: **Rinovum Subsidiary 2, LLC**,  
Monroeville, PA (US)

(72) Inventors: **Andrew P. Zeltwanger**, Leechburg, PA  
(US); **Camaria Lehman**, Harmony, PA  
(US); **Justin E. Angert**, Gibsonia, PA  
(US)

(73) Assignee: **RINOVUM SUBSIDIARY 2, LLC**,  
Monroeville, PA (US)

(\*\*) Term: **15 Years**

(21) Appl. No.: **29/611,612**

(22) Filed: **Jul. 24, 2017**

(51) **LOC (11) Cl.** ..... **24-02**

(52) **U.S. Cl.**  
USPC ..... **D24/141**

(58) **Field of Classification Search**  
USPC ..... D24/141, 127-128; 600/29  
CPC ..... A61F 2/0009; A61F 2/0004; A61F 2/005;  
A61F 2/0036; A61F 2/0045; Y10S 128/25  
See application file for complete search history.

5,007,894 A \* 4/1991 Enhorning ..... A61F 2/005  
128/DIG. 25

5,036,867 A 8/1991 Biswas

5,256,133 A 10/1993 Spitz

5,437,628 A 8/1995 Fox et al.

5,671,755 A 9/1997 Simon et al.

5,771,899 A 6/1998 Martelly et al.

5,785,640 A 7/1998 Kresch et al.

6,090,098 A 7/2000 Zunker et al.

6,142,928 A 11/2000 Zunker et al.

6,413,206 B2 7/2002 Biswas

6,418,930 B1 7/2002 Fowler

6,460,542 B1 10/2002 James

6,645,136 B1 11/2003 Zunker et al.

6,645,137 B2 11/2003 Ulmsten et al.

6,652,477 B2 11/2003 Karapasha et al.

6,676,594 B1 1/2004 Zunker et al.

6,695,763 B2 2/2004 Zunker et al.

6,808,485 B2 10/2004 Zunker

6,939,289 B2 9/2005 Zunker et al.

7,263,999 B2 9/2007 Kaseki et al.

(Continued)

*Primary Examiner* — Wan Laymon  
(74) *Attorney, Agent, or Firm* — Welsh Flaxman & Gitler  
LLC

(57) **CLAIM**  
The ornamental design for an incontinence device, as shown  
and described.

**DESCRIPTION**

FIG. 1 is a front perspective view of the incontinence device  
FIG. 2 is a top view of the incontinence device shown in  
FIG. 1.  
FIG. 3 is a bottom view of the incontinence device shown in  
FIG. 1  
FIG. 4 is a side view of the incontinence device.  
FIG. 5 is an opposite side view of the incontinence device.  
FIG. 6 is a rear view of the incontinence device; and,  
FIG. 7 is a front view of the incontinence device.

**1 Claim, 3 Drawing Sheets**

(56) **References Cited**

U.S. PATENT DOCUMENTS

3,196,873 A 7/1965 Bletzinger et al.

3,646,929 A \* 3/1972 Bonnar ..... A61F 2/005  
128/884

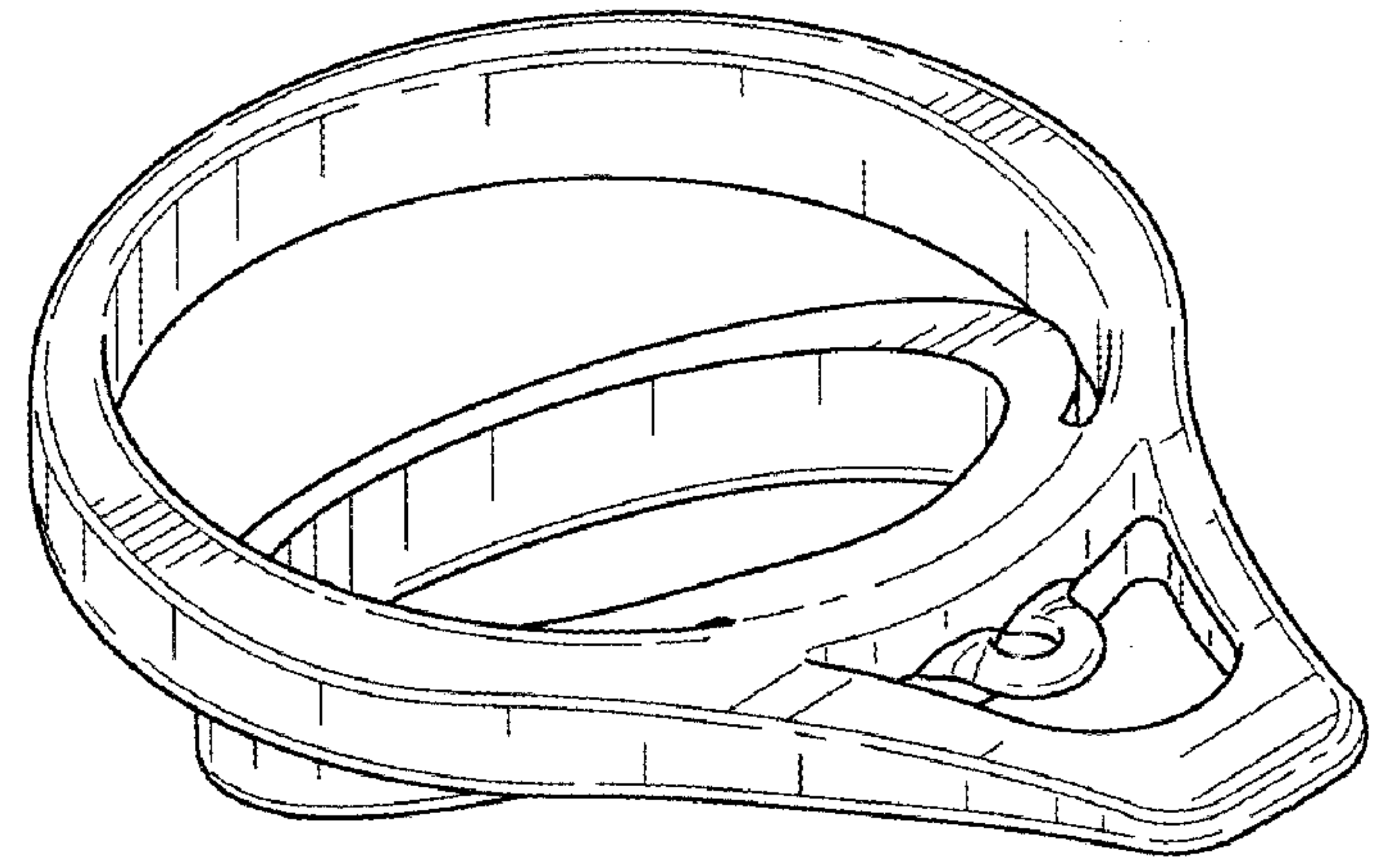
4,139,006 A \* 2/1979 Corey ..... A61F 2/005  
128/DIG. 25

4,536,178 A 8/1985 Lichstein et al.

4,726,805 A 2/1988 Sanders, III

4,846,819 A 7/1989 Welch

4,920,986 A \* 5/1990 Biswas ..... A61F 2/005  
128/834



(56)

References Cited

U.S. PATENT DOCUMENTS

7,351,195 B2	4/2008	Farrell	9,339,361 B2	5/2016	Ziv et al.
7,628,156 B2	12/2009	Astani et al.	9,339,363 B2	5/2016	Ziv et al.
7,717,892 B2	5/2010	Bartning et al.	9,339,364 B2	5/2016	Durling et al.
7,736,298 B2	6/2010	Guerquin et al.	9,393,090 B2	7/2016	Karapasha
7,771,344 B2	8/2010	Ziv	9,398,984 B2	7/2016	Hou et al.
7,892,163 B2	2/2011	Bartning et al.	9,408,685 B2	8/2016	Hou et al.
7,935,098 B2	5/2011	Bartning et al.	9,439,748 B2	9/2016	Durling et al.
7,942,806 B2	5/2011	Tracey et al.	9,549,798 B2	1/2017	Sinai et al.
7,981,021 B2	7/2011	Spitz et al.	9,597,222 B2	3/2017	Durling et al.
7,981,024 B2	7/2011	Levy	9,655,769 B2	5/2017	Ziv et al.
8,047,980 B2	11/2011	Bartning et al.	9,925,027 B1 *	3/2018	Blackford ..... A61F 2/0009
8,127,768 B2	3/2012	Ziv	9,974,635 B2 *	5/2018	Rosen ..... A61F 2/005
8,177,706 B2	5/2012	Bartning et al.	2002/0083949 A1	7/2002	James
8,221,374 B2	7/2012	Hou et al.	2005/0113228 A1	5/2005	Marcotte
8,302,608 B2	11/2012	Harmanli	2008/0033230 A1	2/2008	Bartning et al.
8,323,176 B2	12/2012	Spitz et al.	2008/0281149 A1	11/2008	Sinai et al.
8,435,168 B2	5/2013	Ziv et al.	2009/0318750 A1	12/2009	Ziv et al.
8,449,446 B2 *	5/2013	Ziv ..... A61F 2/0009 600/29	2012/0136199 A1	5/2012	Hou et al.
8,608,639 B2	12/2013	Bartning et al.	2012/0259162 A1	10/2012	Karapasha
8,613,698 B2	12/2013	Bartning et al.	2012/0259166 A1	10/2012	Karapasha
8,617,047 B2	12/2013	Sinai et al.	2012/0259167 A1	10/2012	Karapasha et al.
8,651,109 B2	2/2014	Ziv et al.	2012/0271098 A1	10/2012	Ziv et al.
8,652,026 B2	2/2014	Zunker et al.	2013/0192606 A1	8/2013	Ziv et al.
8,652,027 B2	2/2014	Hou et al.	2014/0275744 A1 *	9/2014	Rosen ..... A61F 2/005 600/29
8,740,767 B2 *	6/2014	Rosen ..... A61F 2/0009 600/29	2015/0297392 A1	10/2015	Karapasha
8,753,258 B2	6/2014	Bartning et al.	2015/0305844 A1	10/2015	Schuman et al.
8,911,344 B2	12/2014	Altan et al.	2016/0015500 A1	1/2016	Ziv et al.
8,911,345 B2	12/2014	Ziv et al.	2016/0220342 A1	8/2016	Ziv et al.
8,920,302 B2	12/2014	Levy	2016/0235583 A1	8/2016	Durling et al.
8,923,493 B2	12/2014	Hillis et al.	2016/0296379 A1	10/2016	Brown et al.
9,022,919 B2	5/2015	Ellefson et al.	2016/0296380 A1	10/2016	Graham et al.
9,050,183 B2	6/2015	Bartning et al.	2016/0374788 A1	12/2016	Ramachandra et al.
9,078,726 B2	7/2015	Karapasha	2017/0014217 A1	1/2017	Patrusky
9,173,768 B2	11/2015	Bartning et al.	2017/0100278 A1	4/2017	Ziv et al.
9,198,748 B2	12/2015	Ziv et al.	2018/0021120 A1 *	1/2018	Kanner ..... A61F 2/0036 600/29
9,320,640 B2	4/2016	Durling et al.	2018/0021121 A1 *	1/2018	Zeltwanger ..... A61F 2/005 600/29

\* cited by examiner

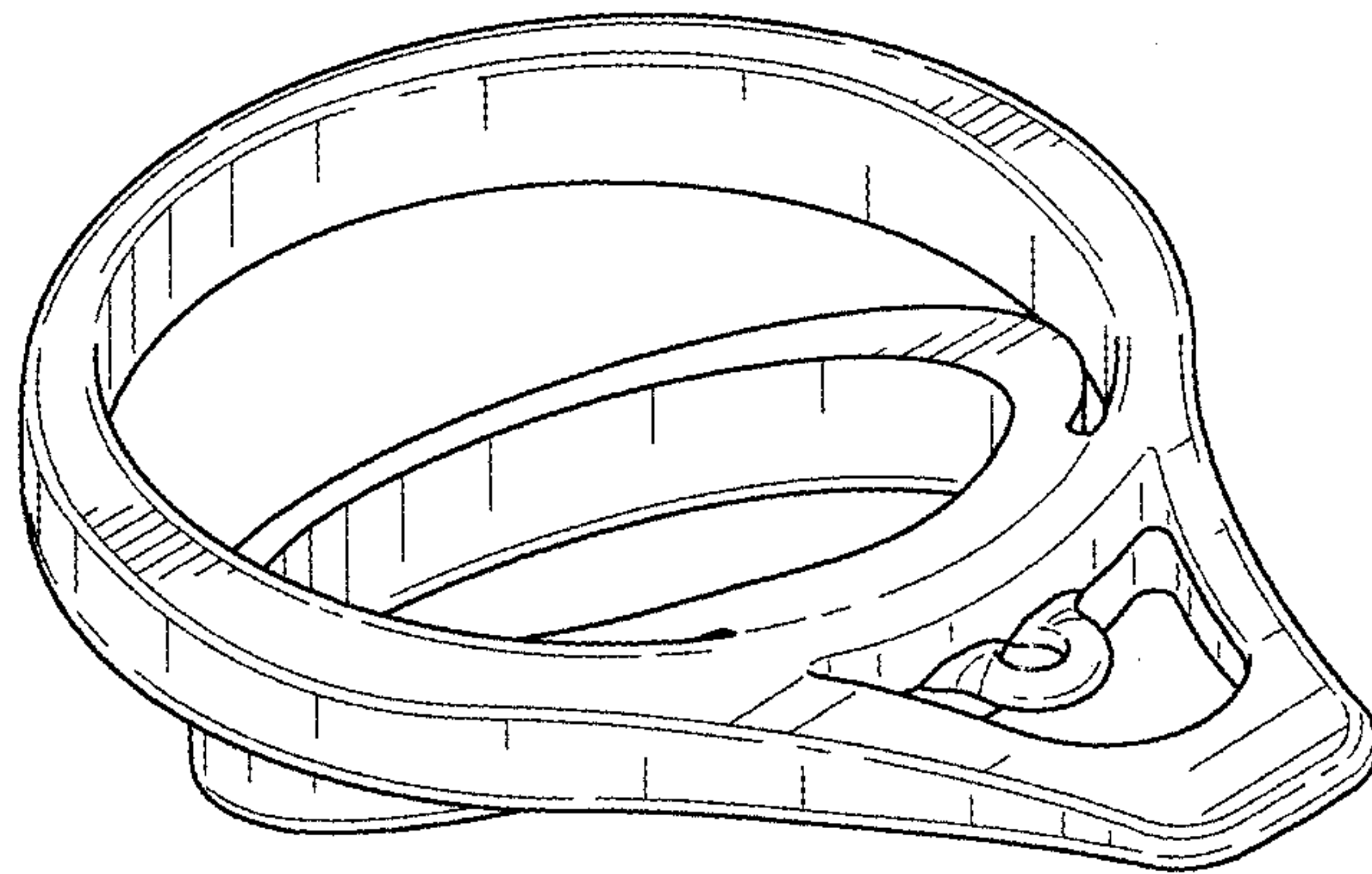


FIG. 1



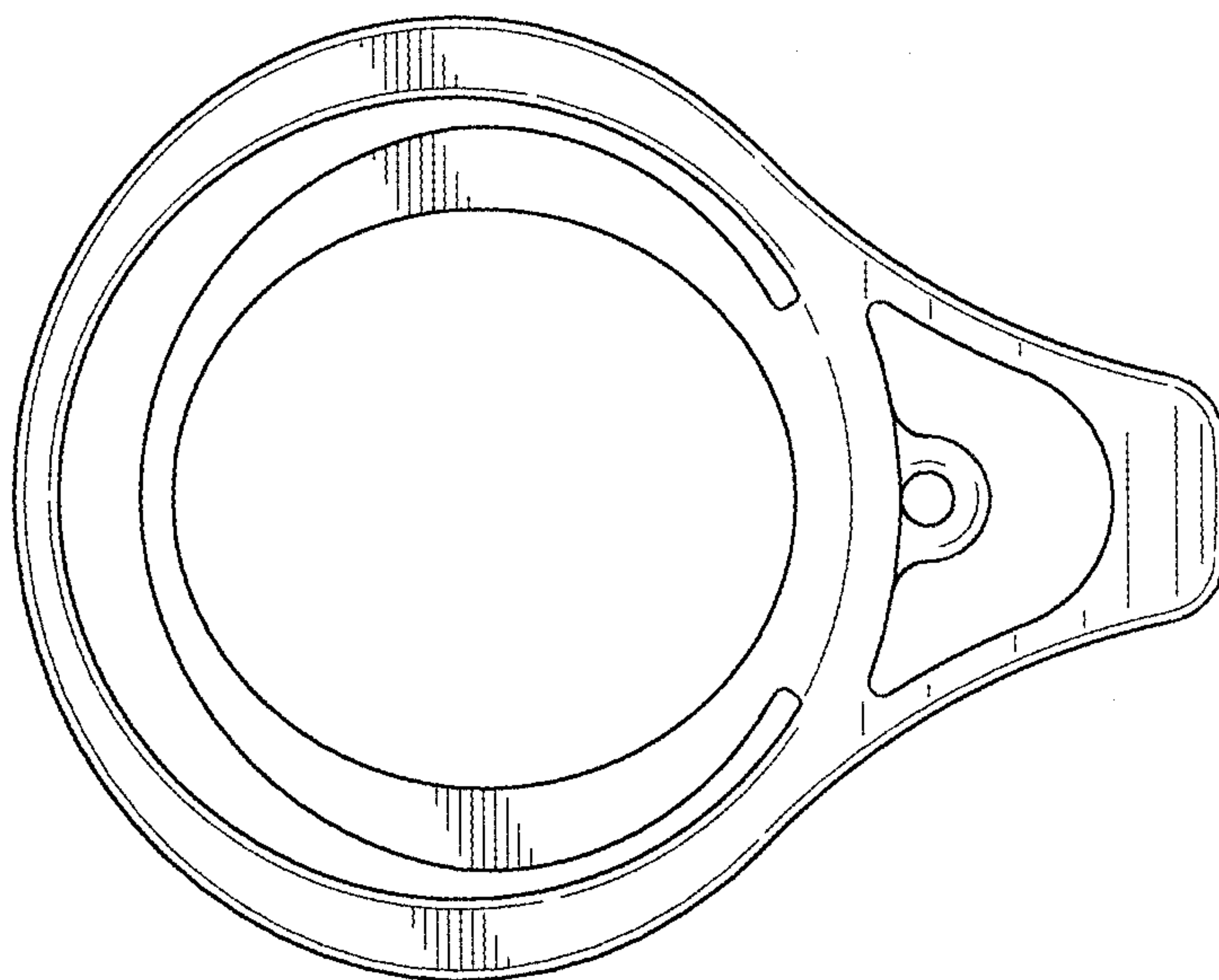


FIG. 2

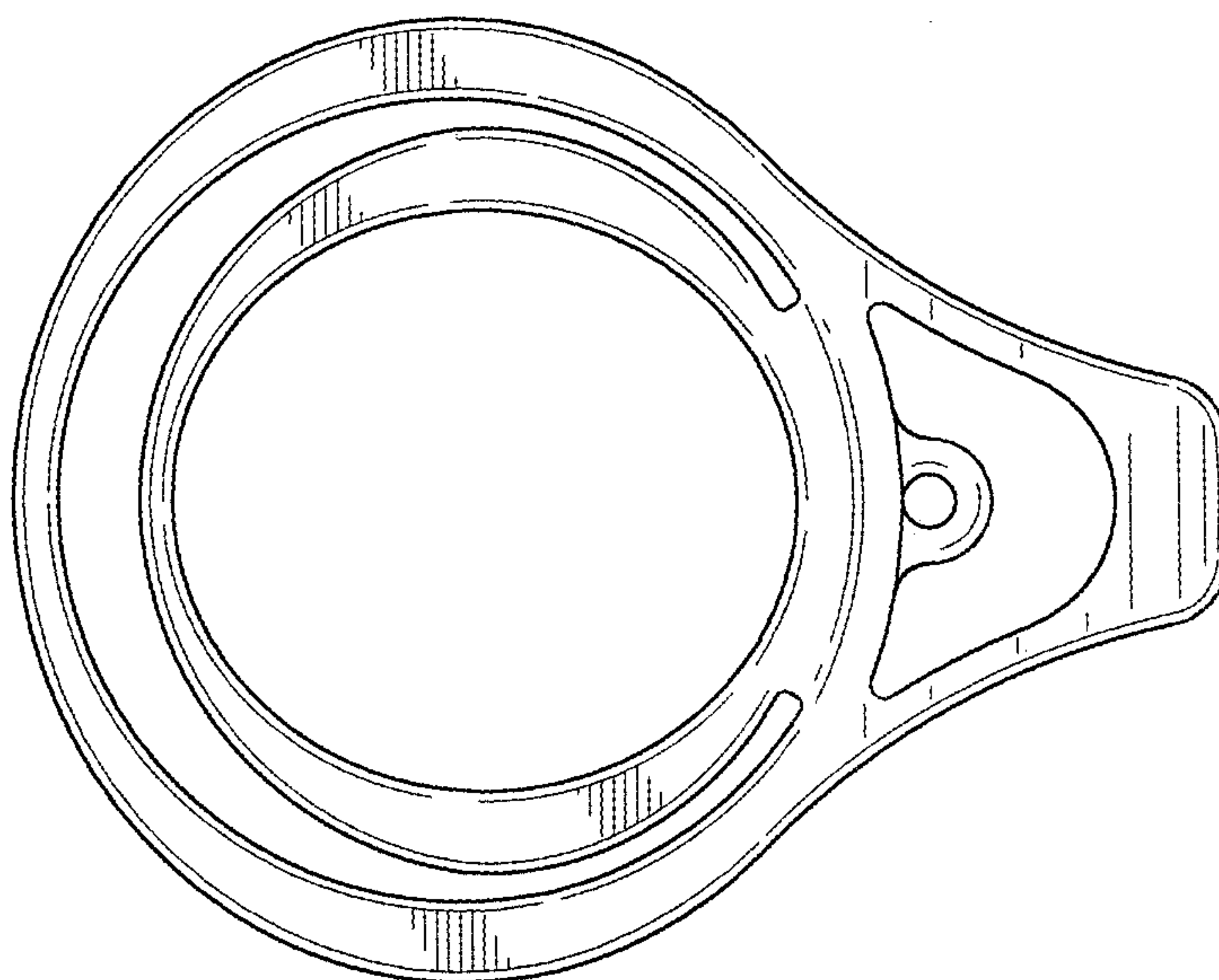


FIG. 3

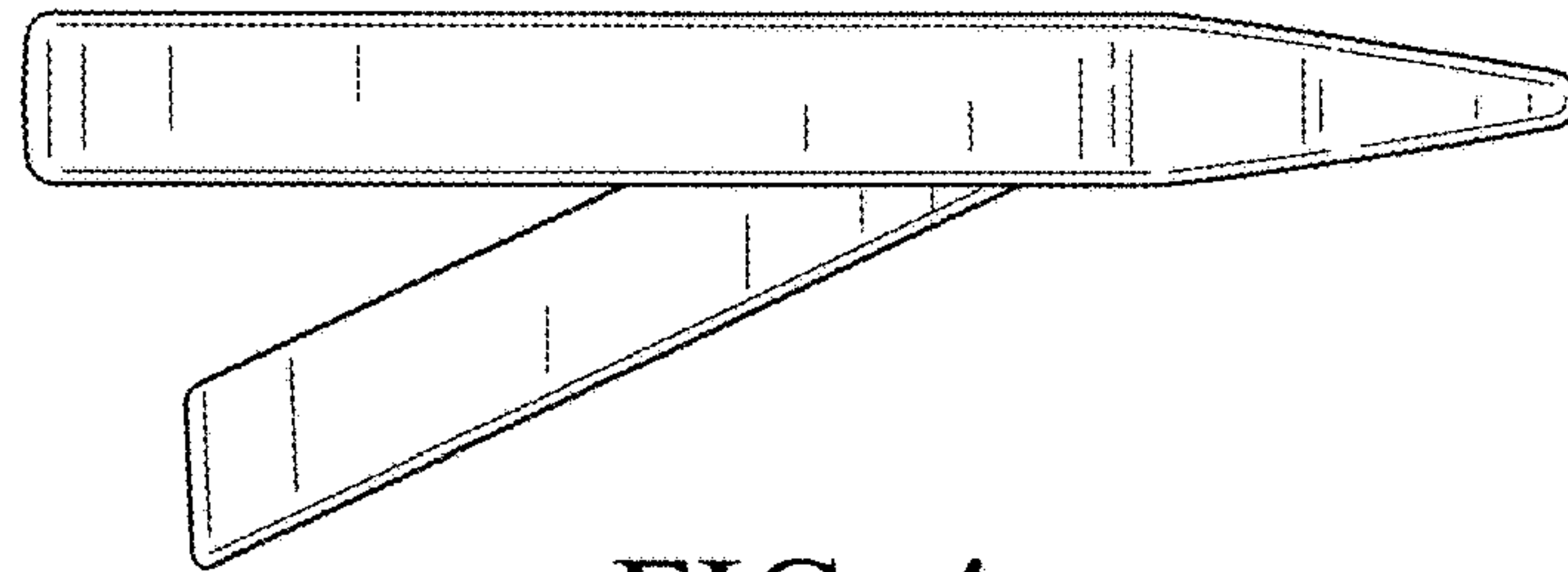


FIG. 4

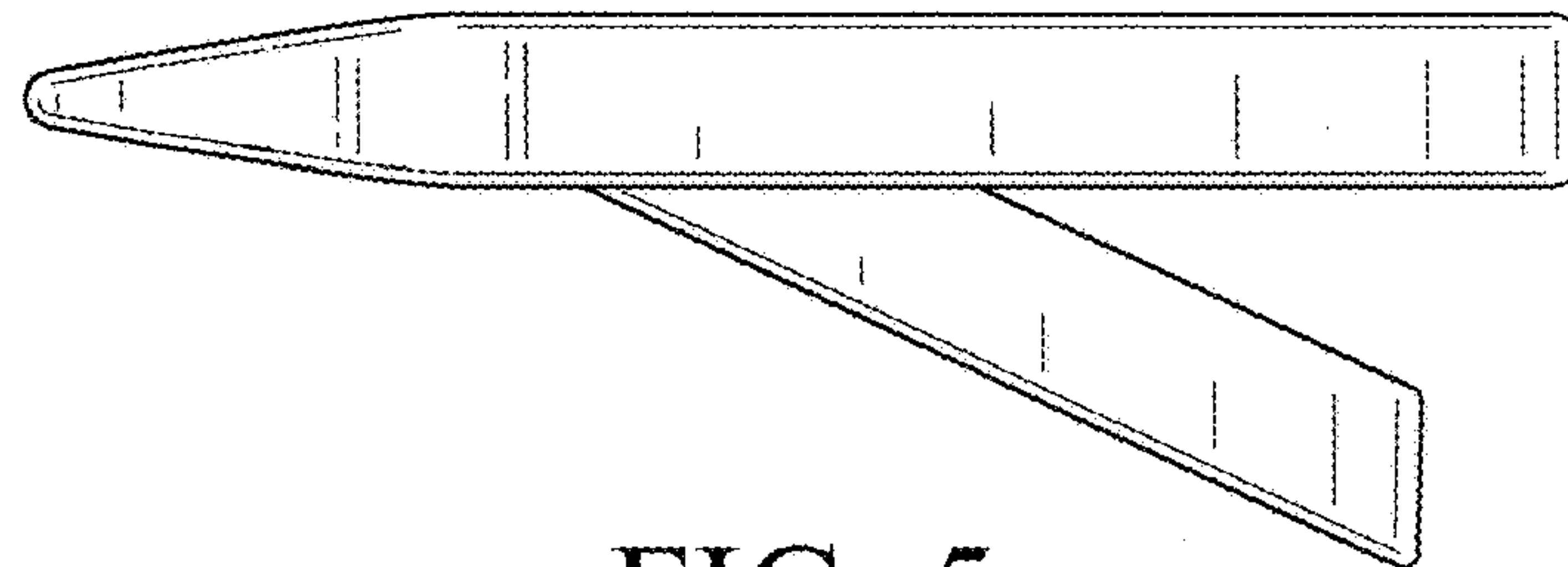


FIG. 5

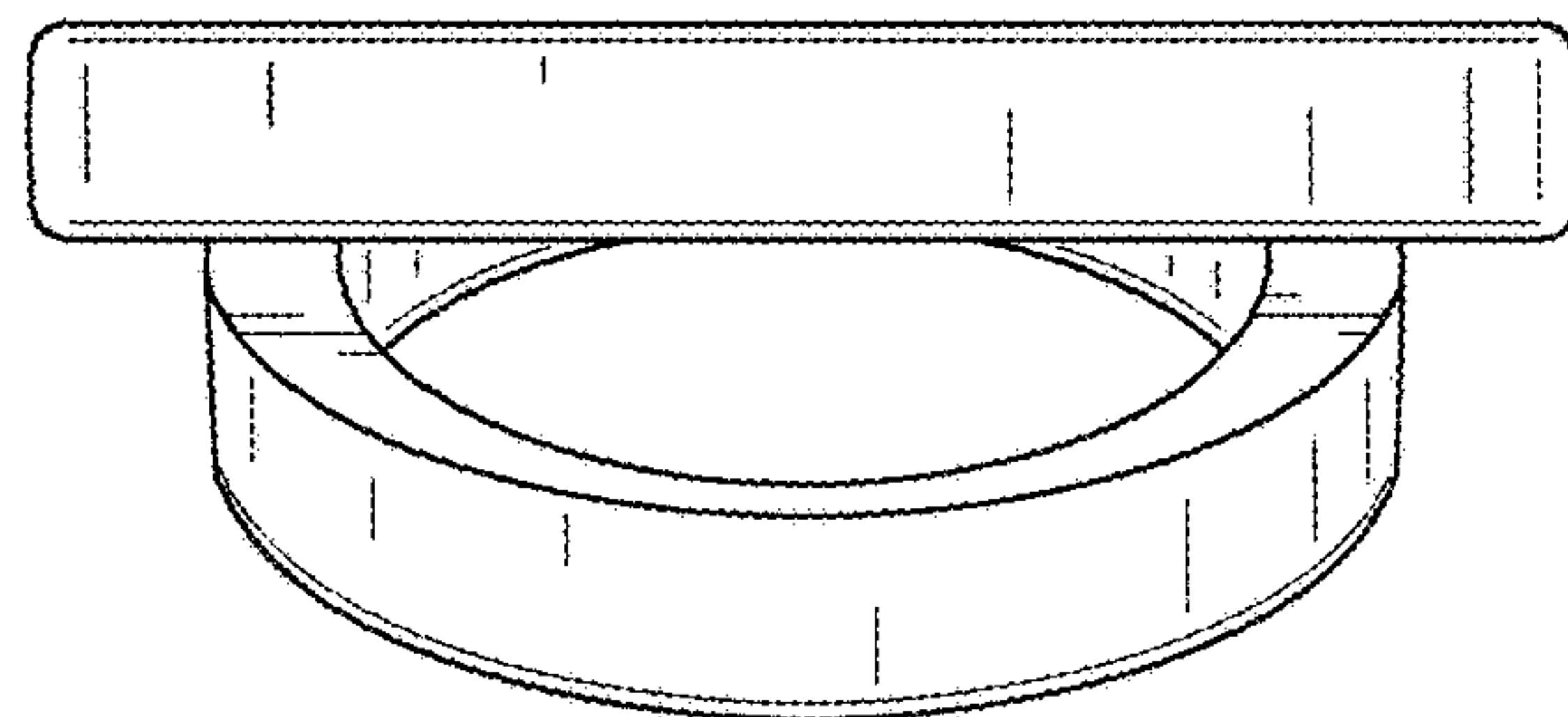


FIG. 6

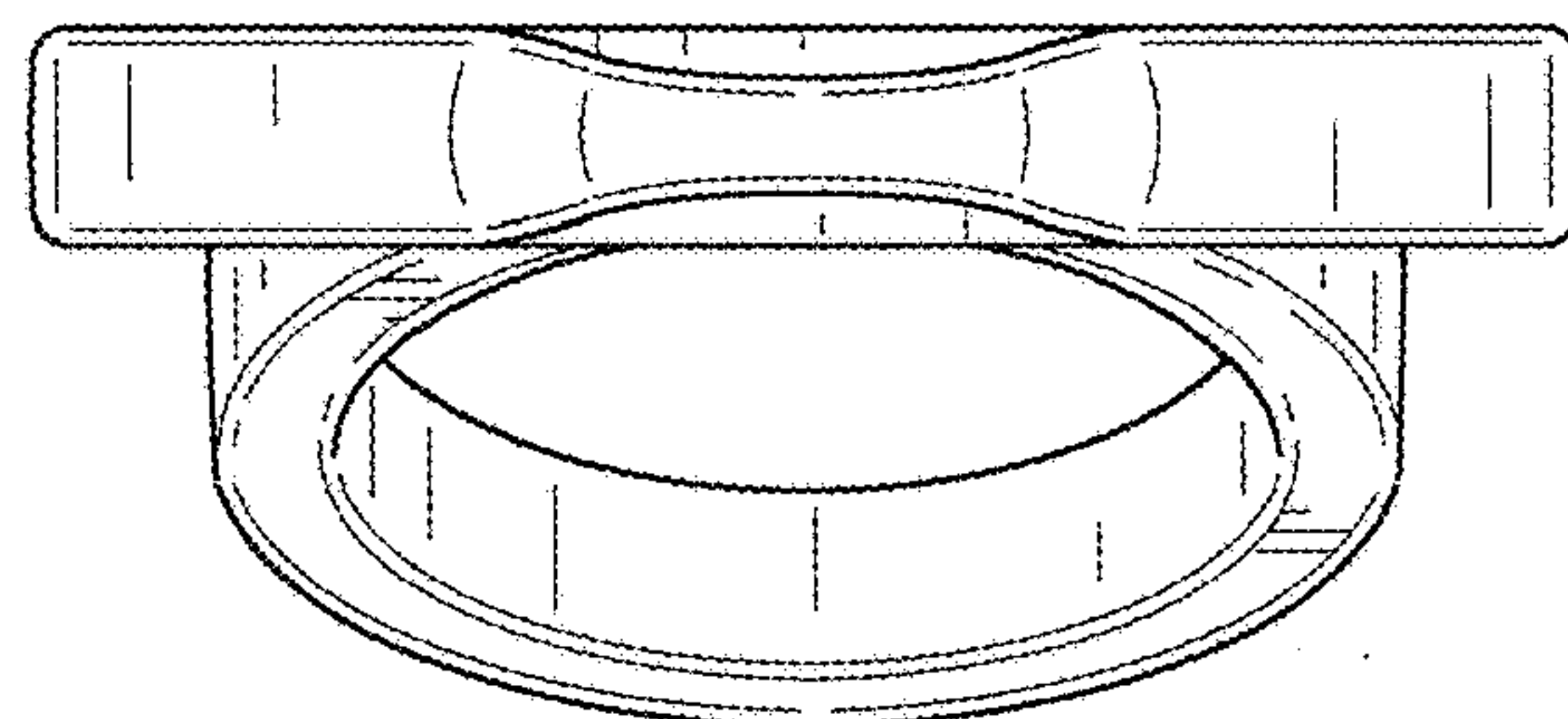


FIG. 7