



US00D832436S

(12) **United States Design Patent** (10) **Patent No.:** **US D832,436 S**
Loewe (45) **Date of Patent:** **** Oct. 30, 2018**

(54) **ELECTROMAGNETIC LOCALIZER**

(71) Applicant: **ERGOSURG GMBH**, Ismaning (DE)

(72) Inventor: **Erik Loewe**, Ismaning (DE)

(73) Assignee: **ERGOSURG GMBH**, Ismaning (DE)

(**) Term: **15 Years**

(21) Appl. No.: **29/594,207**

(22) Filed: **Feb. 16, 2017**

(51) **LOC (11) Cl.** **24-02**

(52) **U.S. Cl.**

USPC **D24/140**

(58) **Field of Classification Search**

USPC D24/133, 135, 136, 140, 143, 150, 151,
D24/152, 176, 144, 170, 233; 600/210,
600/217, 235, 237, 201, 214, 240;
606/191; 433/140, 141; D8/40, 382, 397
CPC . A61B 17/02; A61B 17/0206; A61B 17/0218;
A61B 1/00; A61B 1/32; A61B 17/1703

See application file for complete search history.

(56) **References Cited**

U.S. PATENT DOCUMENTS

D364,882 S * 12/1995 Junkers D15/199
D429,335 S * 8/2000 Caspers D24/155
6,283,912 B1 * 9/2001 Hu A61B 17/02
600/210
D585,994 S * 2/2009 Mulhauser D24/133
D616,094 S * 5/2010 Boone, III D24/133
D705,425 S * 5/2014 Boone, III D24/147
8,758,236 B2 * 6/2014 Albrecht A61B 17/0293
600/208
8,864,494 B2 * 10/2014 Guenter A61C 8/0087
433/141

D726,529 S * 4/2015 McCallum D8/382
D741,495 S * 10/2015 Snyder D24/176
D757,935 S * 5/2016 Solingen D24/133
D799,311 S * 10/2017 Mamie D8/382
D805,883 S * 12/2017 Evitt D8/382
2005/0059865 A1 * 3/2005 Kahle A61B 17/3423
600/206
2010/0228094 A1 * 9/2010 Ortiz A61B 17/3423
600/205
2012/0123418 A1 * 5/2012 Giurgi A61B 17/16
606/80
2012/0209255 A1 * 8/2012 Blocher A61B 17/29
606/1

* cited by examiner

Primary Examiner — Jeffrey D Asch

Assistant Examiner — Rebekah A Caruso

(74) *Attorney, Agent, or Firm* — Norris McLaughlin P.A.

(57) **CLAIM**

The ornamental design for an electromagnetic localizer, as shown and described.

DESCRIPTION

FIG. 1 is a bottom perspective view of my new design for an electromagnetic localizer;

FIG. 2 is a bottom perspective view;

FIG. 3 is a first side perspective view;

FIG. 4 is an opposite side perspective view;

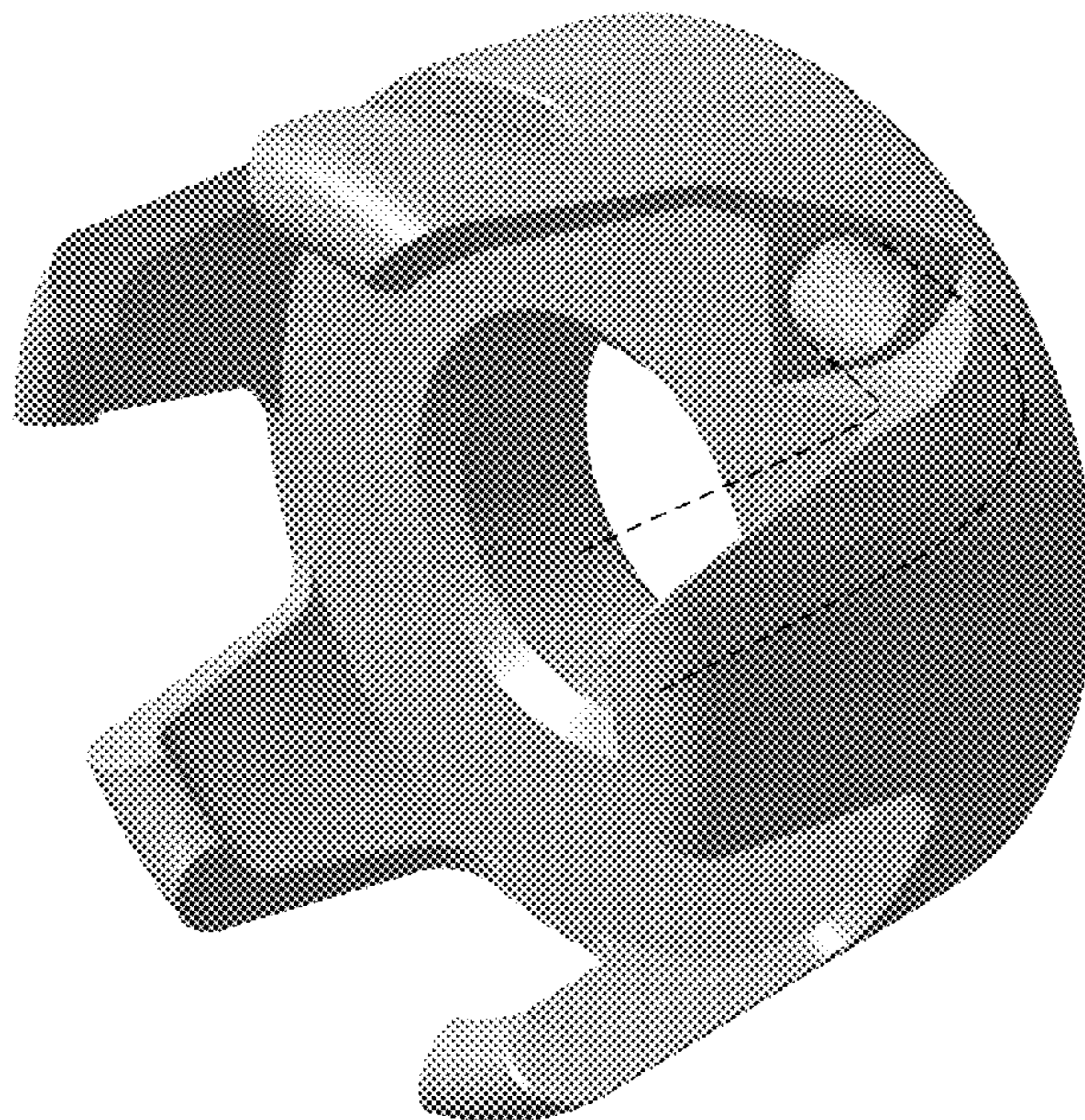
FIG. 5 is a third side perspective view;

FIG. 6 is a fourth side perspective view; and,

FIG. 7 is a top perspective view.

The broken lines represent a portion of the system associated with the electromagnetic localizer and form no part of the claimed design.

1 Claim, 7 Drawing Sheets



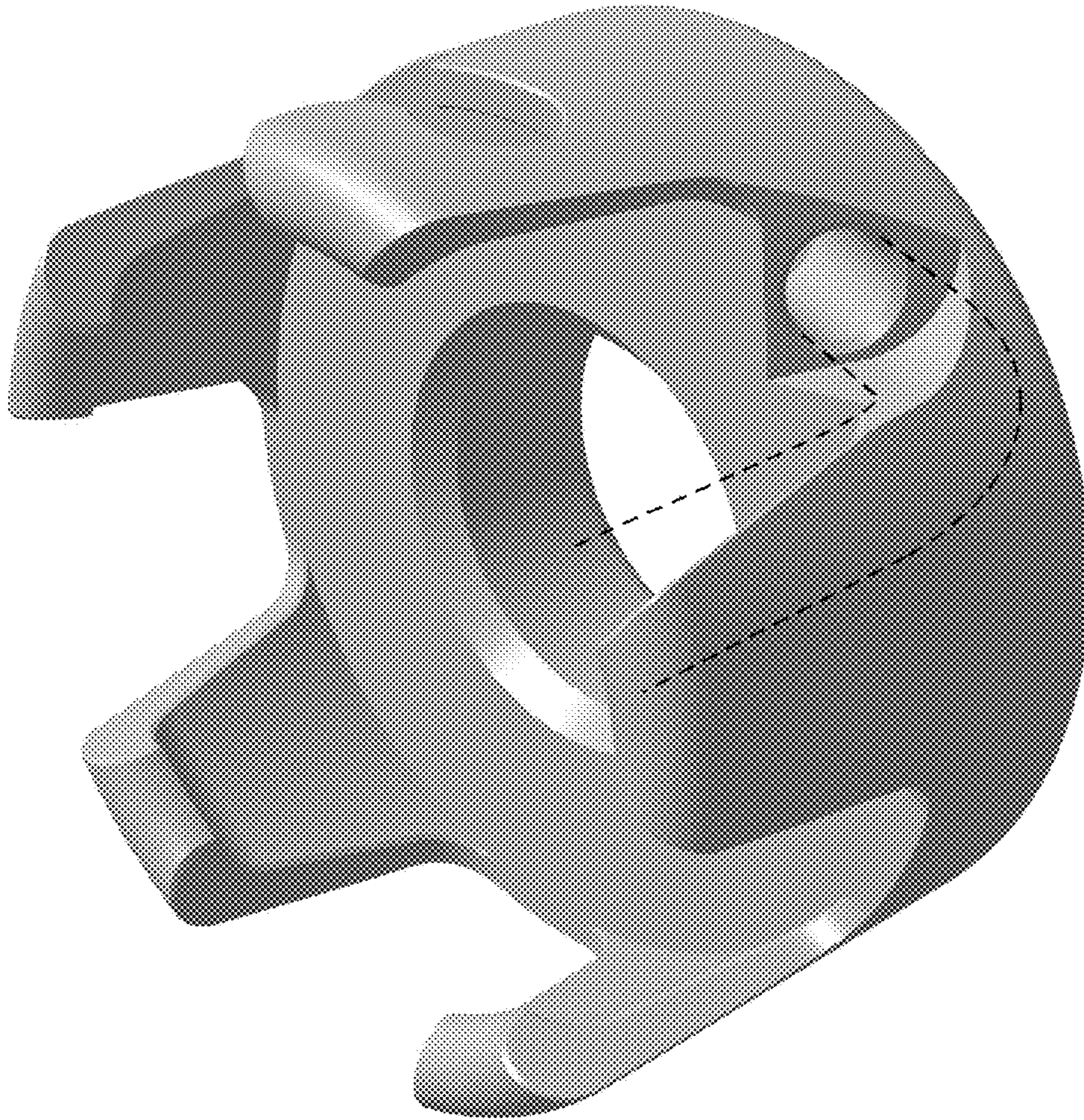


FIG. 1

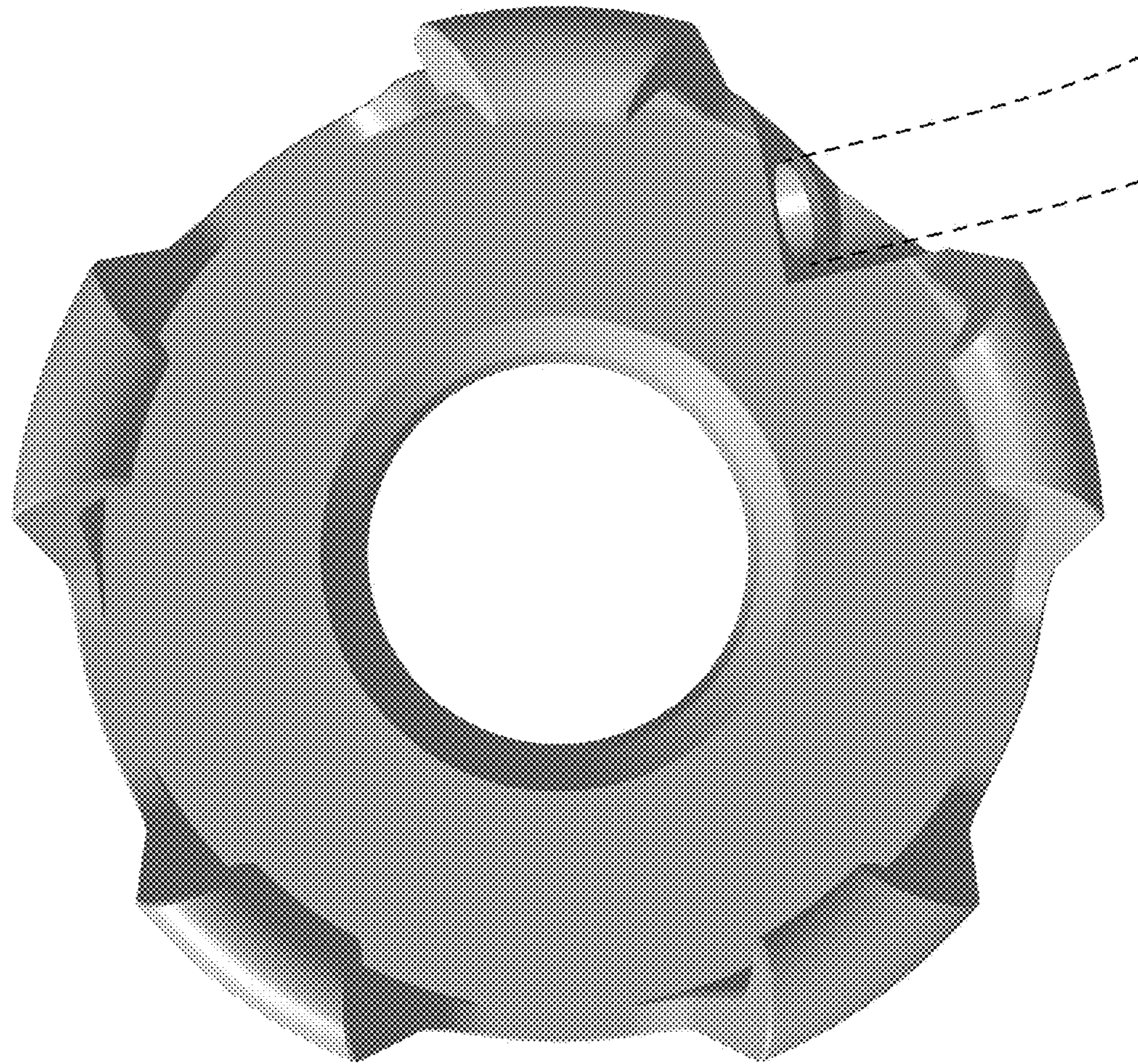


FIG. 2

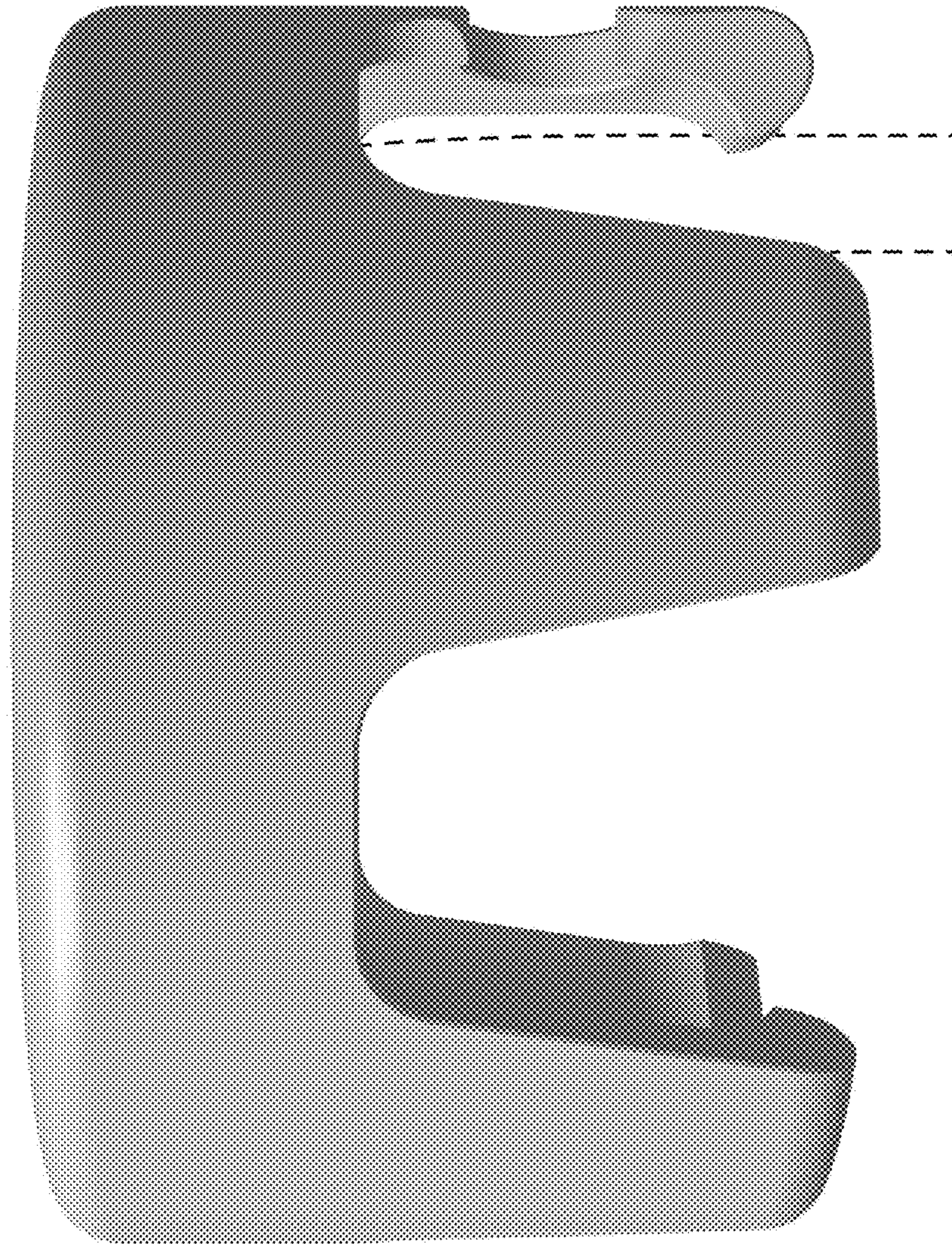


FIG. 3

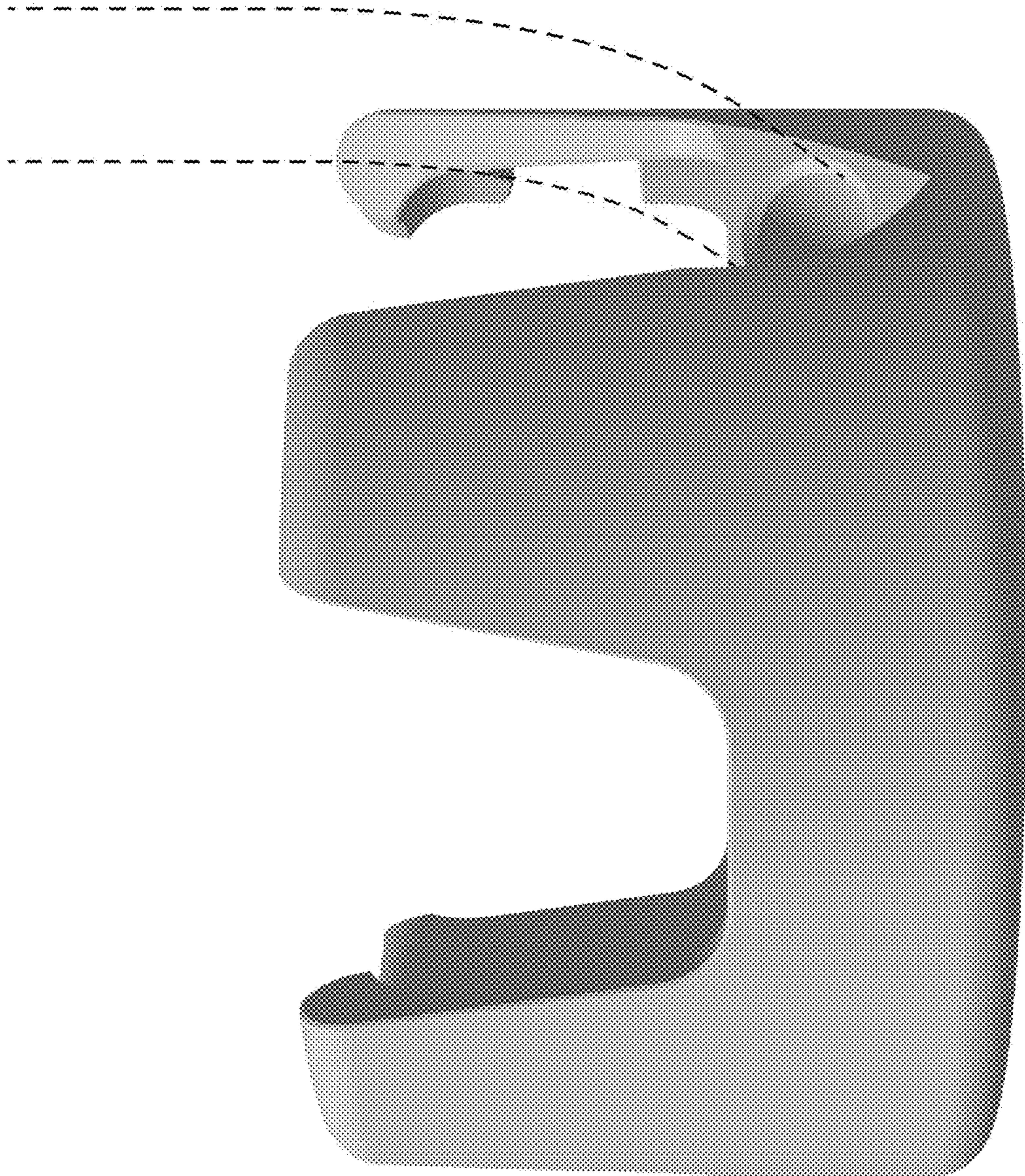


FIG. 4

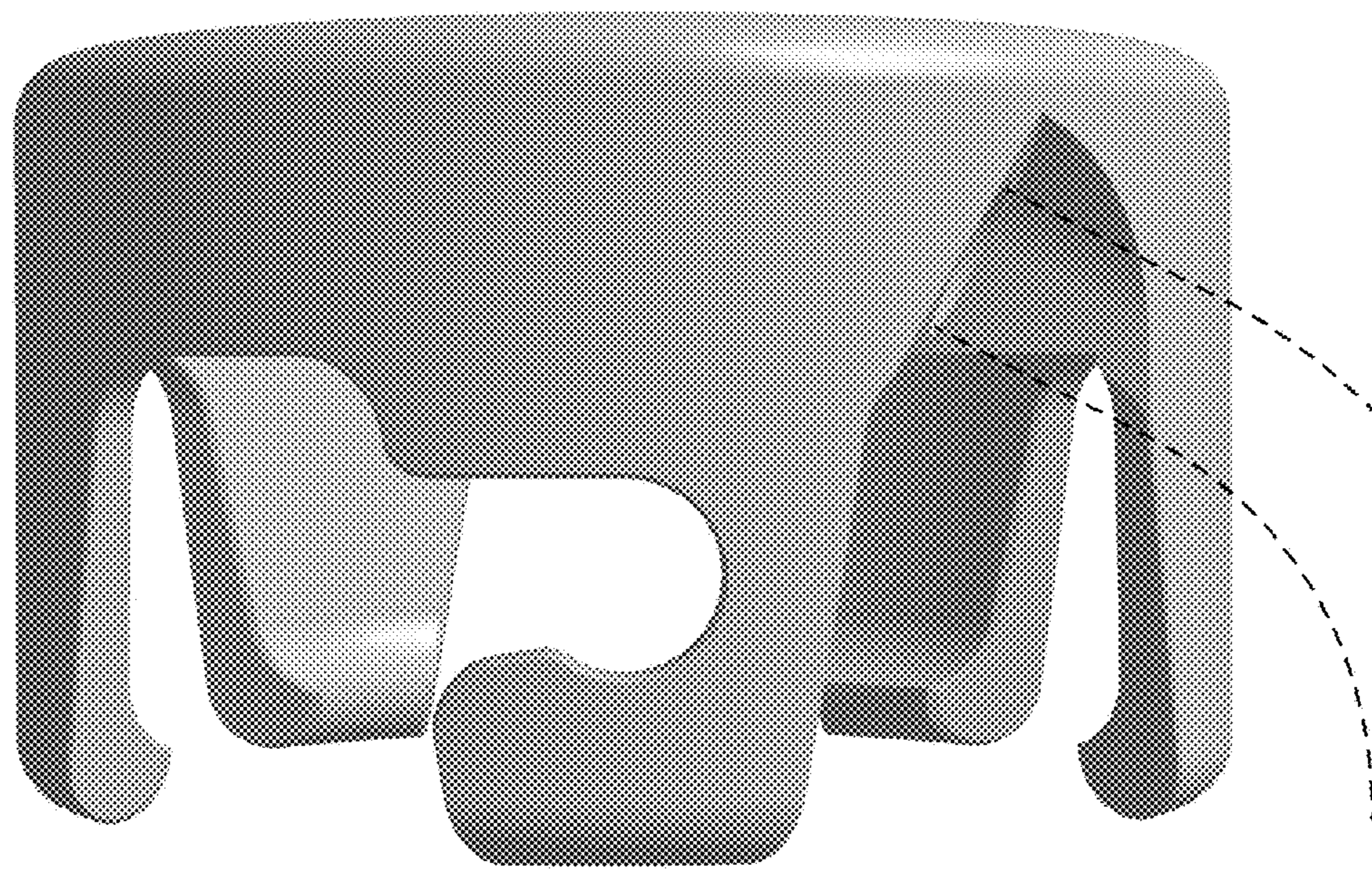


FIG. 5

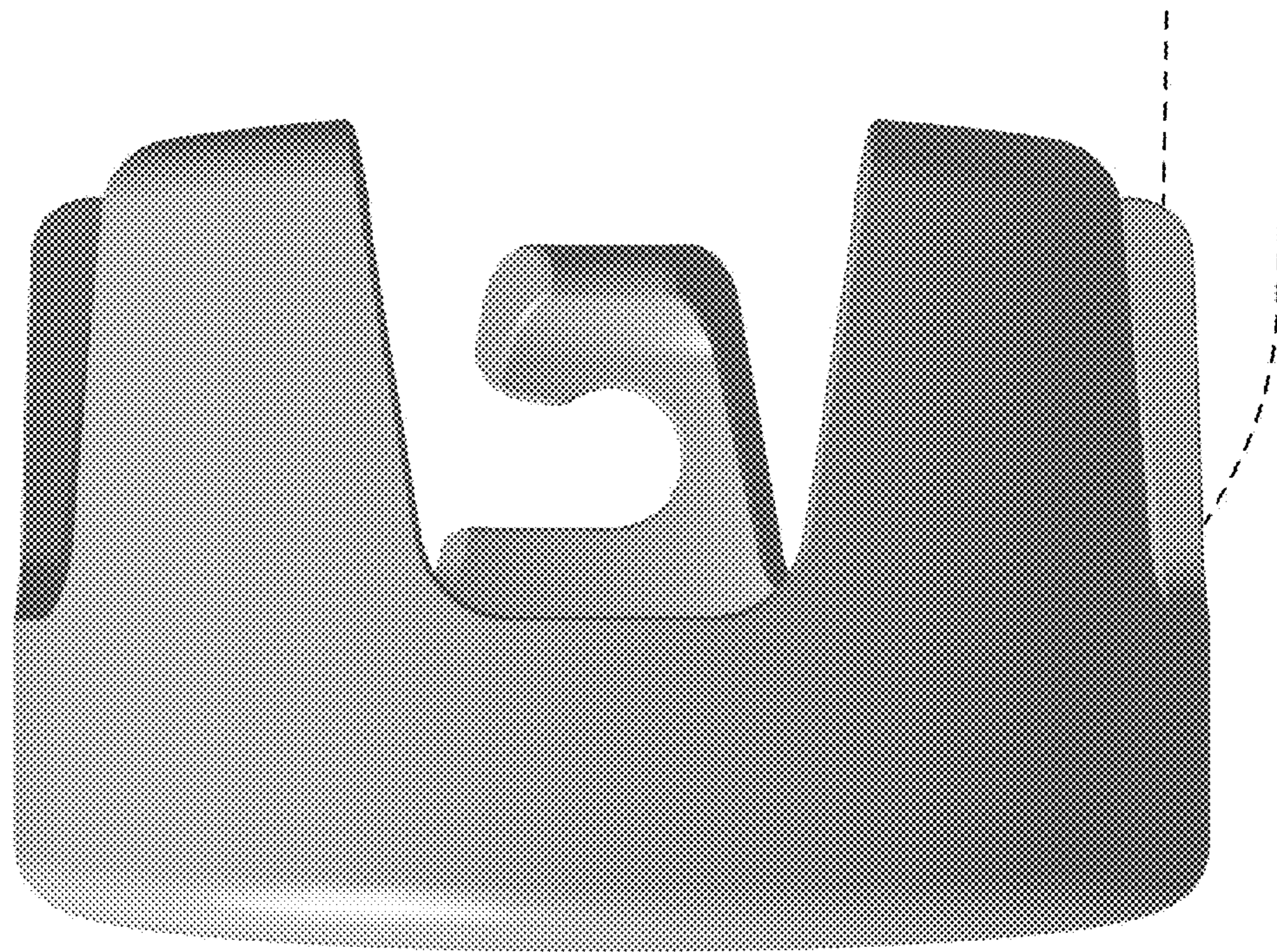


FIG. 6

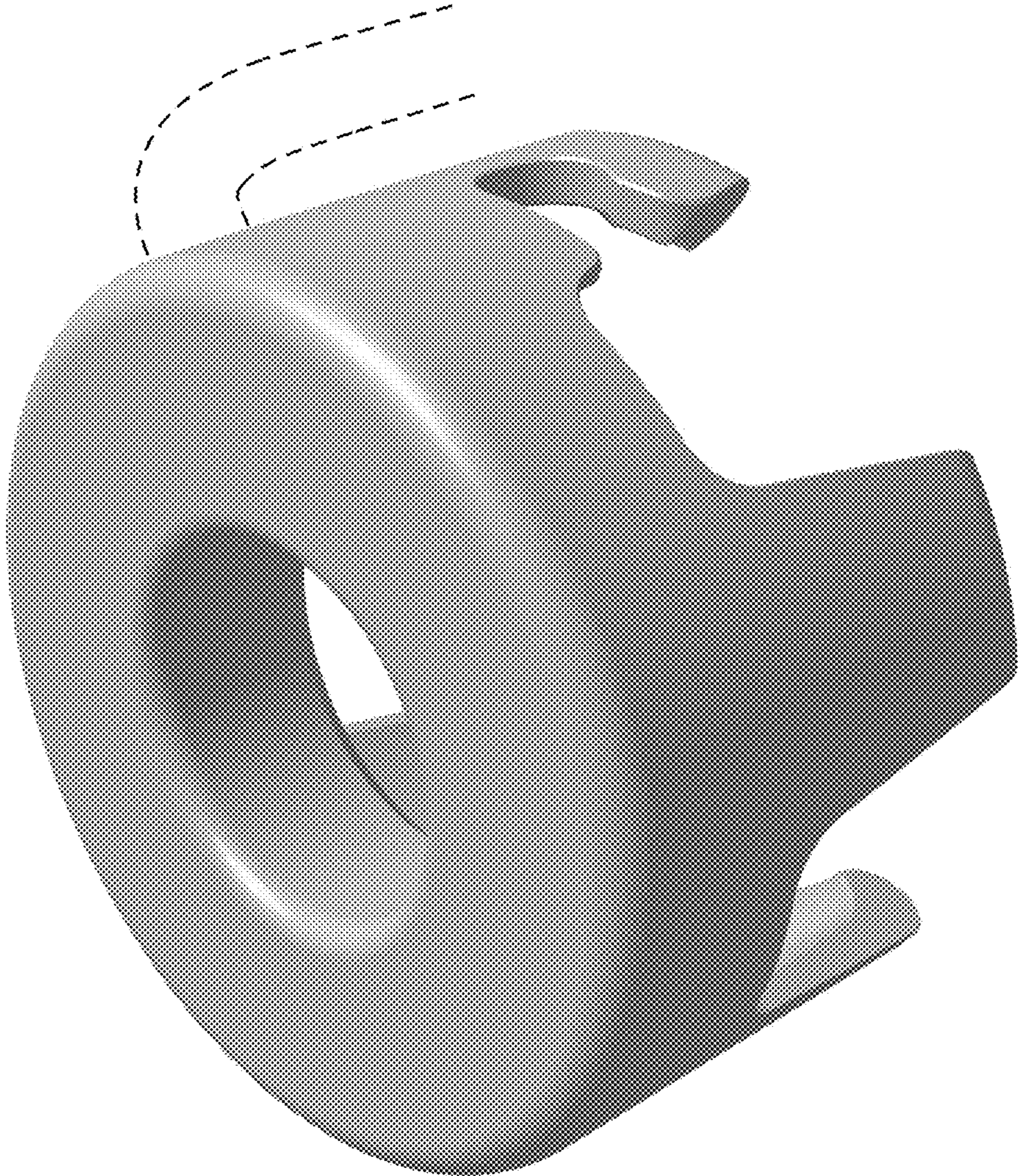


FIG. 7