

US00D832435S

(12) **United States Design Patent**
Tanaka et al.

(10) **Patent No.:** **US D832,435 S**

(45) **Date of Patent:** **** Oct. 30, 2018**

(54) **CONTROL DEVICE FOR ENDOSCOPE**

(71) Applicant: **FUJIFILM Corporation**, Minato-ku,
Tokyo (JP)

(72) Inventors: **Kunihiko Tanaka**, Kanagawa (JP);
Koji Yoshida, Kanagawa (JP)

(73) Assignee: **FUJIFILM Corporation**, Tokyo (JP)

(**) Term: **15 Years**

(21) Appl. No.: **29/599,505**

(22) Filed: **Apr. 4, 2017**

(30) **Foreign Application Priority Data**

Oct. 5, 2016 (JP) 2016-021700

(51) **LOC (11) Cl.** **24-02**

(52) **U.S. Cl.**
USPC **D24/138**

(58) **Field of Classification Search**
USPC D24/108, 160, 111, 138
CPC A61B 1/00; A61B 1/00137; A61B 1/005;
A61B 1/0014; A61B 1/0676; A61B
1/0669; A61B 1/00121; A61B 1/00133;
A61B 1/00071; A61B 1/00064; A61B
1/00068; A61B 1/00112; A61B 1/0125;
A61B 17/3478

See application file for complete search history.

(56) **References Cited**

U.S. PATENT DOCUMENTS

D412,977 S * 8/1999 Hayamizu D24/107
D481,123 S * 10/2003 Hayamizu D24/107
D535,745 S * 1/2007 Hayamizu D24/107

D564,094 S * 3/2008 Hayashi D24/107
D598,100 S * 8/2009 Tanaka D24/107
D641,081 S * 7/2011 Onuma D24/138
D641,082 S * 7/2011 Onuma D24/138
D670,806 S * 11/2012 Hayamizu D24/138
D719,259 S * 12/2014 Shimobayashi D24/138
D789,533 S * 6/2017 Tanaka D24/138
D793,554 S * 8/2017 Shimobayashi D24/138
D794,189 S * 8/2017 Sakai D24/138
D799,035 S * 10/2017 Shimobayashi D24/138

* cited by examiner

Primary Examiner — Janice Hallmark

Assistant Examiner — Eliza Z Bennett-Hattan

(74) *Attorney, Agent, or Firm* — Sughrue Mion, PLLC

(57) **CLAIM**

The ornamental design for a control device for endoscope,
as shown and described.

DESCRIPTION

FIG. 1 is a top, front and right side perspective view of a control device for endoscope showing our new design; FIG. 2 is a front elevational view thereof; FIG. 3 is a rear elevational view thereof; FIG. 4 is a top plan view thereof; FIG. 5 is a bottom plan view thereof; FIG. 6 is a left side elevational view thereof; FIG. 7 is a right side elevational view thereof; and, FIG. 8 is a top, front and right side perspective view of the control device for endoscope in an environment of use with an endoscope, a processing apparatus, a water bottle, a monitor display, and connection cables. The broken lines showing environmental subject matter in FIG. 8 are for illustrative purposes only and form no part of the claimed design.

1 Claim, 6 Drawing Sheets

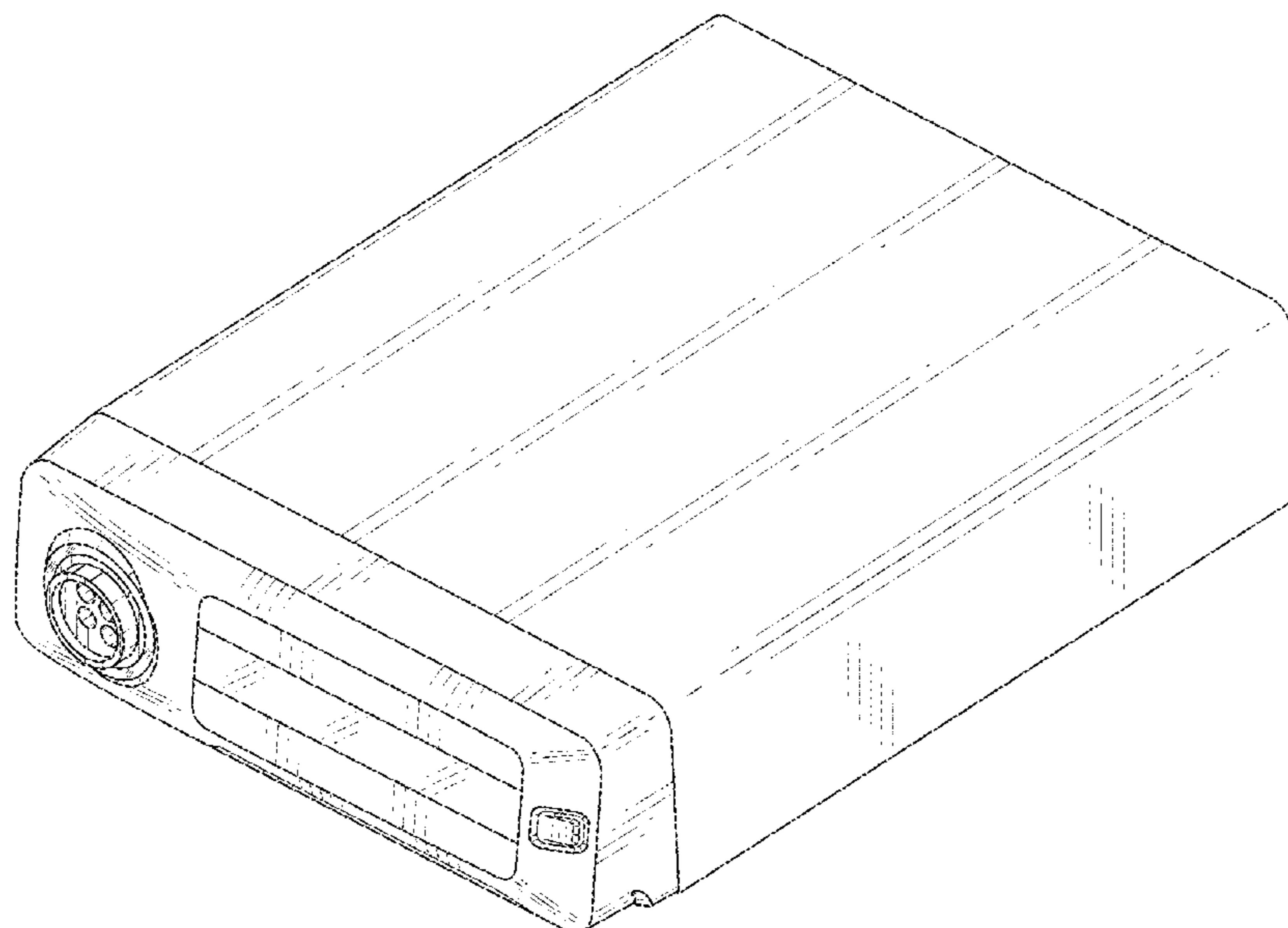


FIG. 1

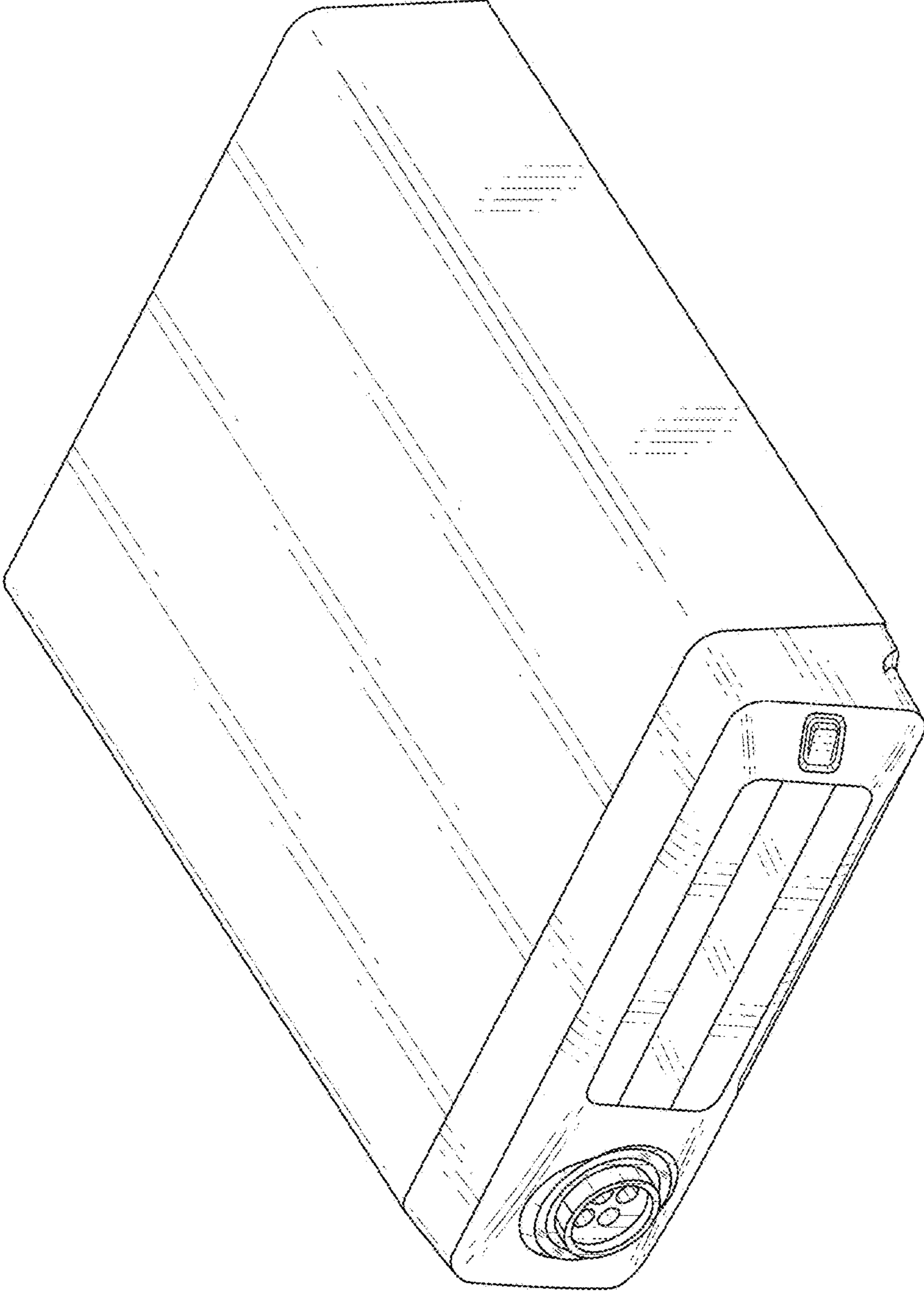


FIG. 2

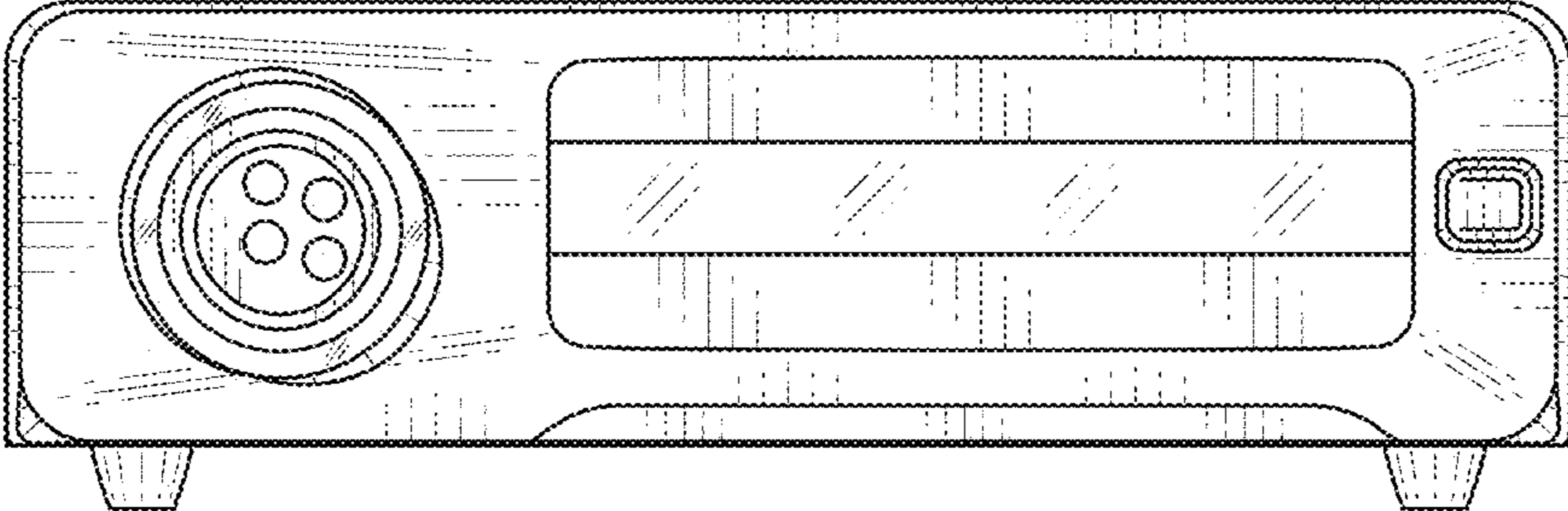


FIG. 3

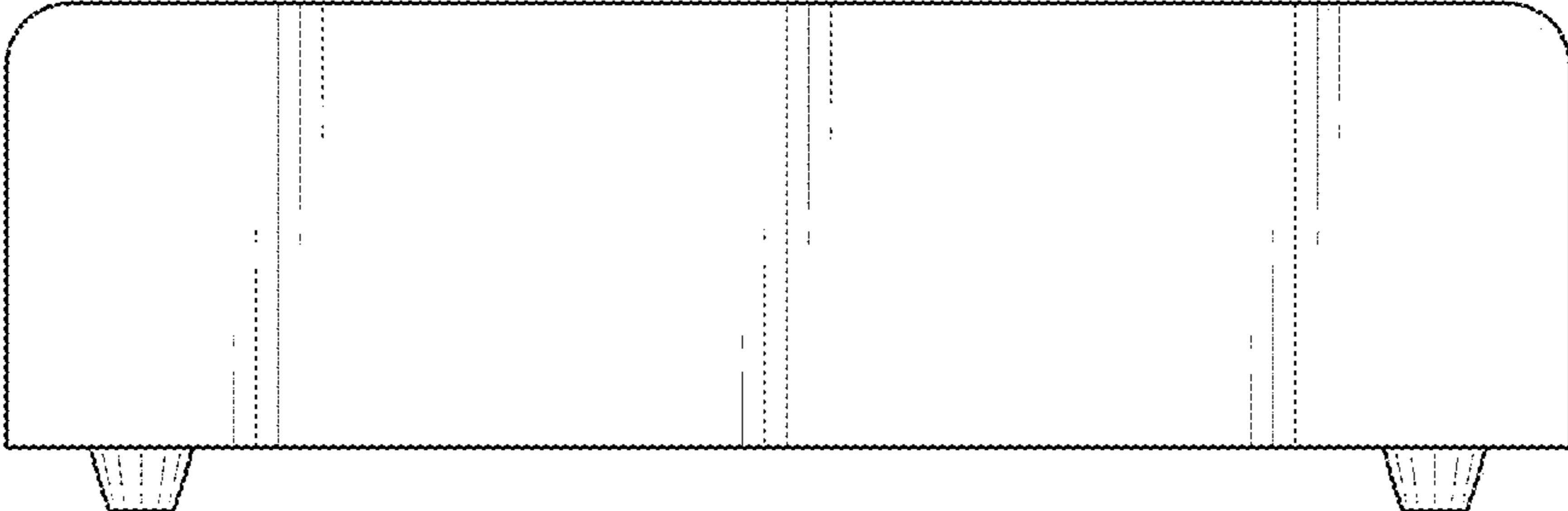


FIG. 4

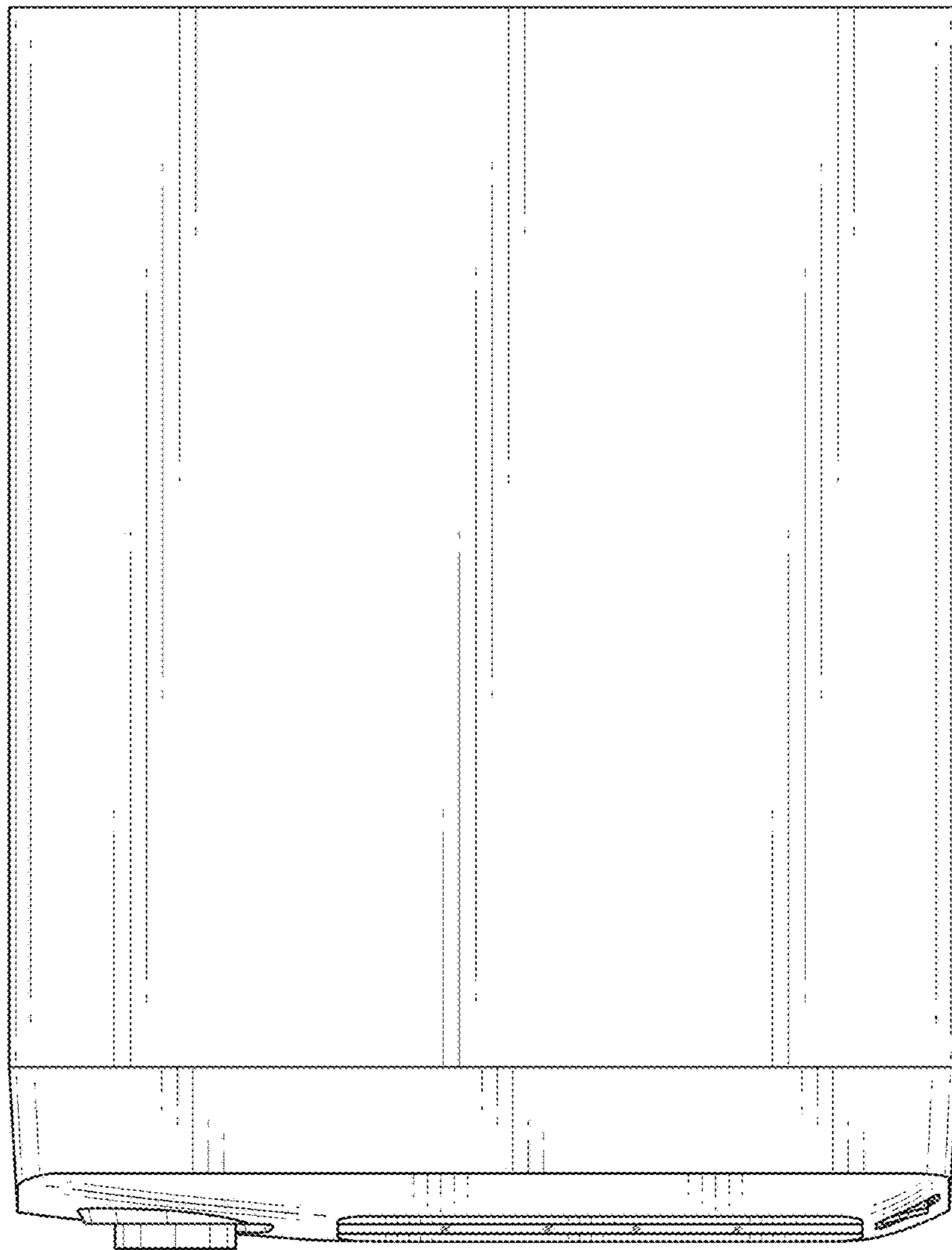


FIG. 5

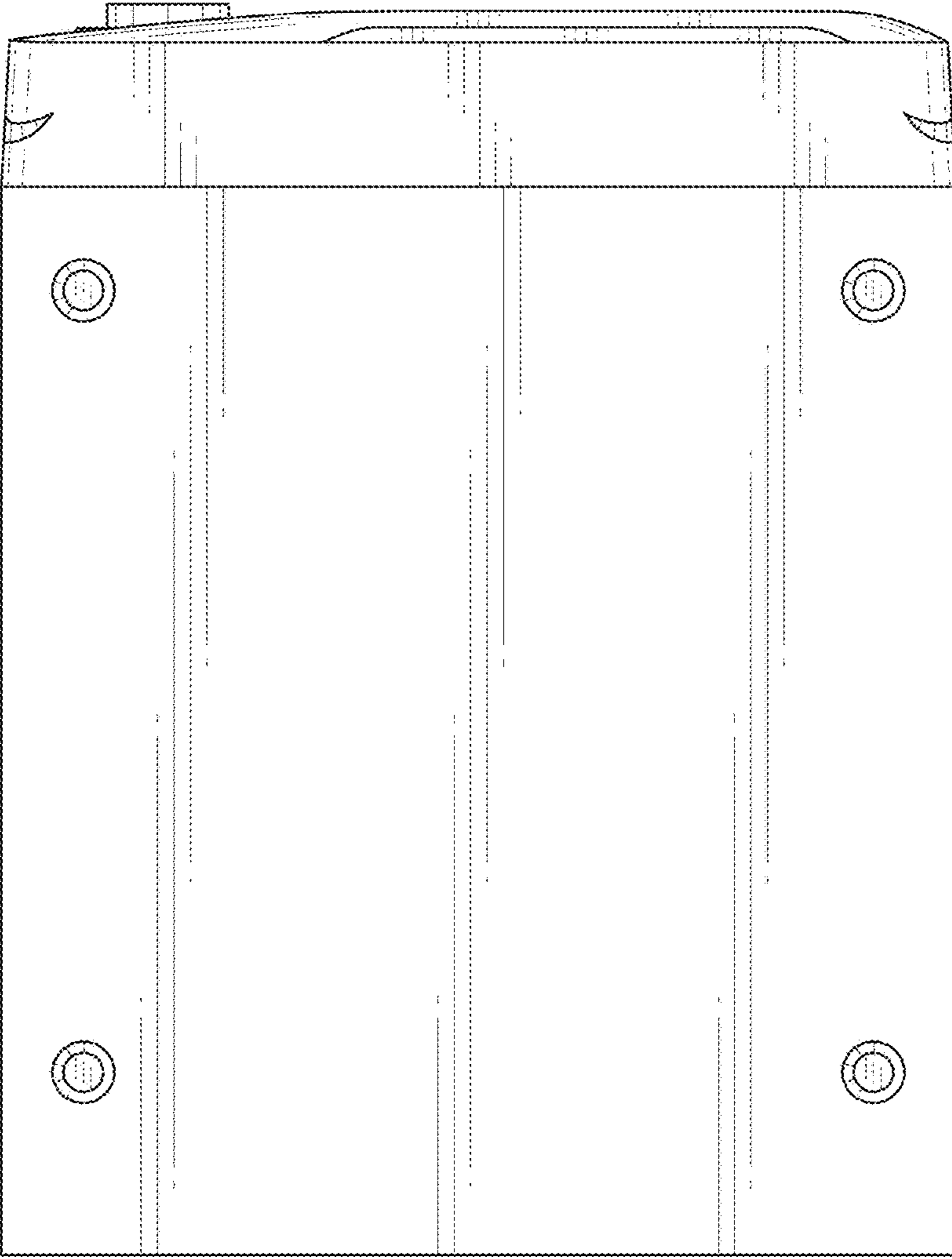


FIG. 6

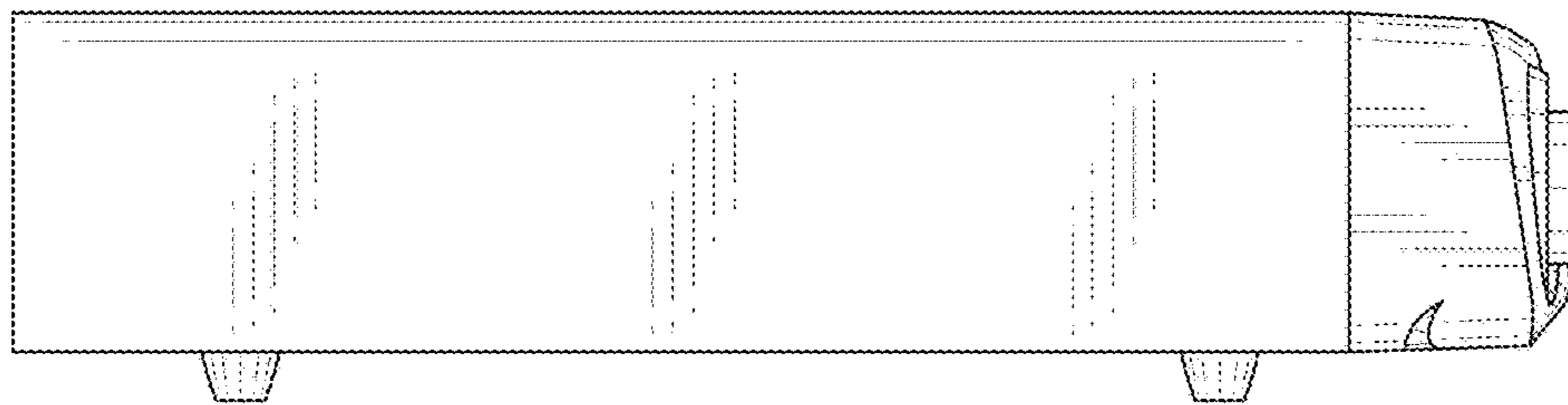


FIG. 7

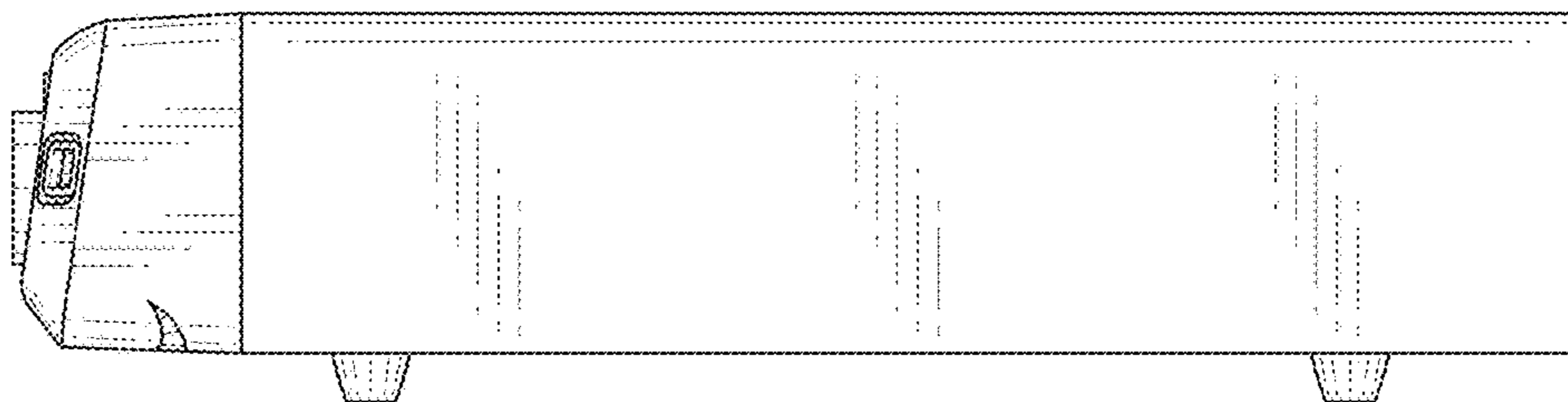


FIG. 8

