



US00D832434S

(12) **United States Design Patent**  
**Tanaka et al.**

(10) **Patent No.:** **US D832,434 S**

(45) **Date of Patent:** **\*\* Oct. 30, 2018**

(54) **ULTRASONIC CONTROL DEVICE**

(71) Applicant: **FUJIFILM Corporation**, Tokyo (JP)

(72) Inventors: **Kunihiko Tanaka**, Ashigarakami-gun (JP); **Koji Yoshida**, Ashigarakami-gun (JP)

(73) Assignee: **FUJIFILM Corporation**, Tokyo (JP)

(\*\*) Term: **15 Years**

(21) Appl. No.: **29/596,386**

(22) Filed: **Mar. 8, 2017**

(30) **Foreign Application Priority Data**

Sep. 9, 2016 (JP) ..... 2016-019586

(51) **LOC (11) Cl.** ..... **24-02**

(52) **U.S. Cl.**  
USPC ..... **D24/138**

(58) **Field of Classification Search**  
USPC ..... D24/108, 160, 111, 138  
CPC ..... A61B 1/00; A61B 1/00137; A61B 1/005;  
A61B 1/0014; A61B 1/0676; A61B  
1/0669; A61B 1/00121; A61B 1/00133;  
A61B 1/00071; A61B 1/00064; A61B  
1/00068; A61B 1/00112; A61B 1/0125;  
A61B 17/3478

See application file for complete search history.

(56) **References Cited**

**U.S. PATENT DOCUMENTS**

D412,977 S \* 8/1999 Hayamizu ..... D24/107  
D481,123 S \* 10/2003 Hayamizu ..... D24/107  
D535,745 S \* 1/2007 Hayamizu ..... D24/107  
D564,094 S \* 3/2008 Hayashi ..... D24/107  
D598,100 S \* 8/2009 Tanaka ..... D24/107

D641,081 S \* 7/2011 Onuma ..... D24/138  
D641,082 S \* 7/2011 Onuma ..... D24/138  
D670,806 S \* 11/2012 Hayamizu ..... D24/138  
D719,259 S \* 12/2014 Shimobayashi ..... D24/138  
D789,533 S \* 6/2017 Tanaka ..... D24/138  
D793,554 S \* 8/2017 Shimobayashi ..... D24/138  
D794,189 S \* 8/2017 Sakai ..... D24/138  
D799,035 S \* 10/2017 Shimobayashi ..... D24/138

\* cited by examiner

*Primary Examiner* — Janice Hallmark

*Assistant Examiner* — Eliza Z Bennett-Hattan

(74) *Attorney, Agent, or Firm* — Sughrue Mion, PLLC

(57) **CLAIM**

The ornamental design for an ultrasonic control device, as shown and described.

**DESCRIPTION**

FIG. 1 is a top, front and right side perspective view of an ultrasonic control device showing our new design; FIG. 2 is a front elevational view thereof; FIG. 3 is a rear elevational view thereof; FIG. 4 is a top plan view thereof; FIG. 5 is a bottom plan view thereof; FIG. 6 is a left side elevational view thereof; FIG. 7 is a right side elevational view thereof; FIG. 8 is a top, front and right side perspective view of the ultrasonic control device shown in an environment of use on a cart platform; and, FIG. 9 is a top, front and right side perspective view of the ultrasonic control device shown in an environment of use with a connection cable, scanning device, ultrasonic probe, and an endoscope.

The broken lines showing environmental subject matter in FIG. 8 and FIG. 9 are for illustrative purposes only and form no part of the claimed design.

**1 Claim, 7 Drawing Sheets**

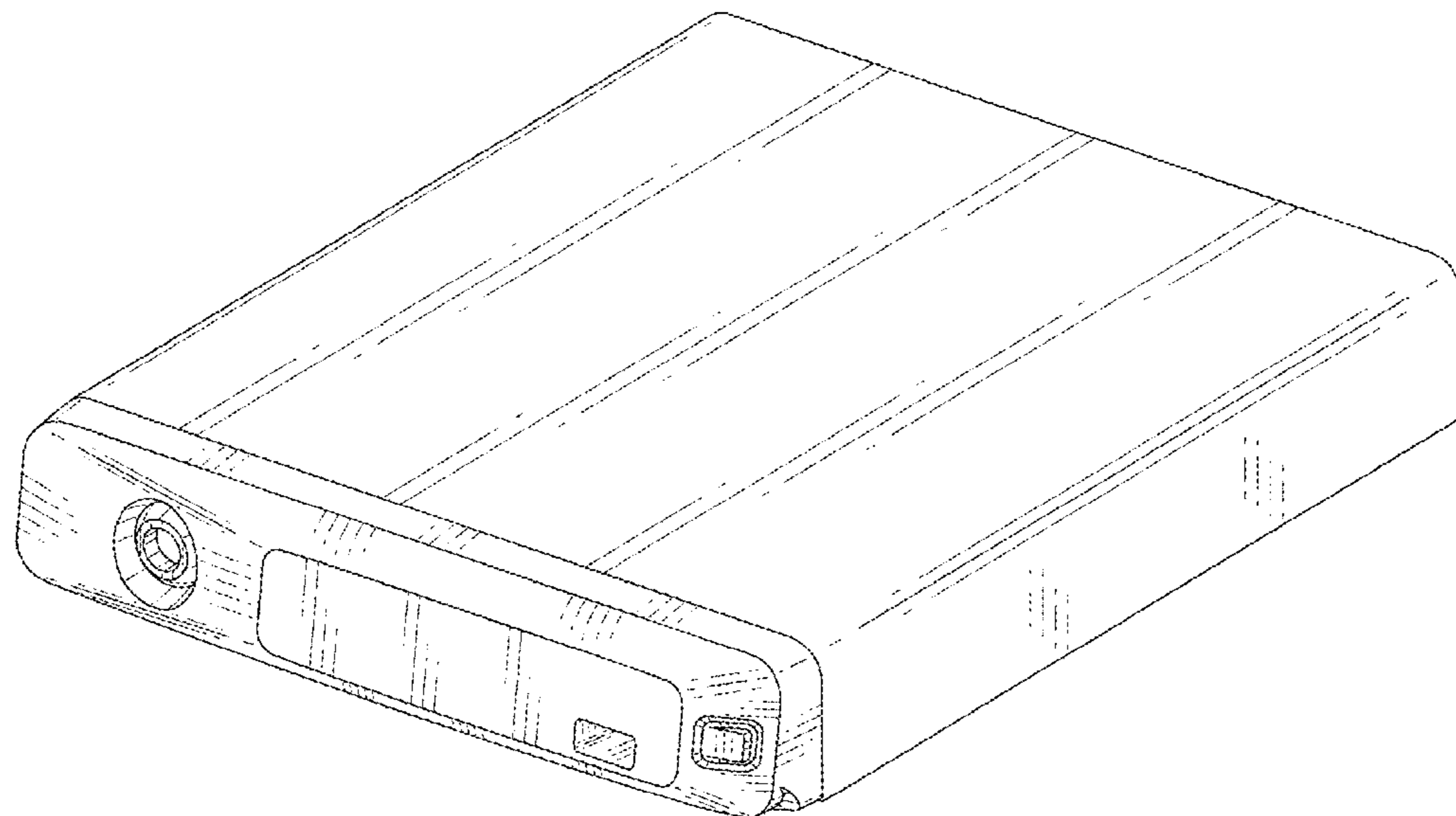


FIG. 1

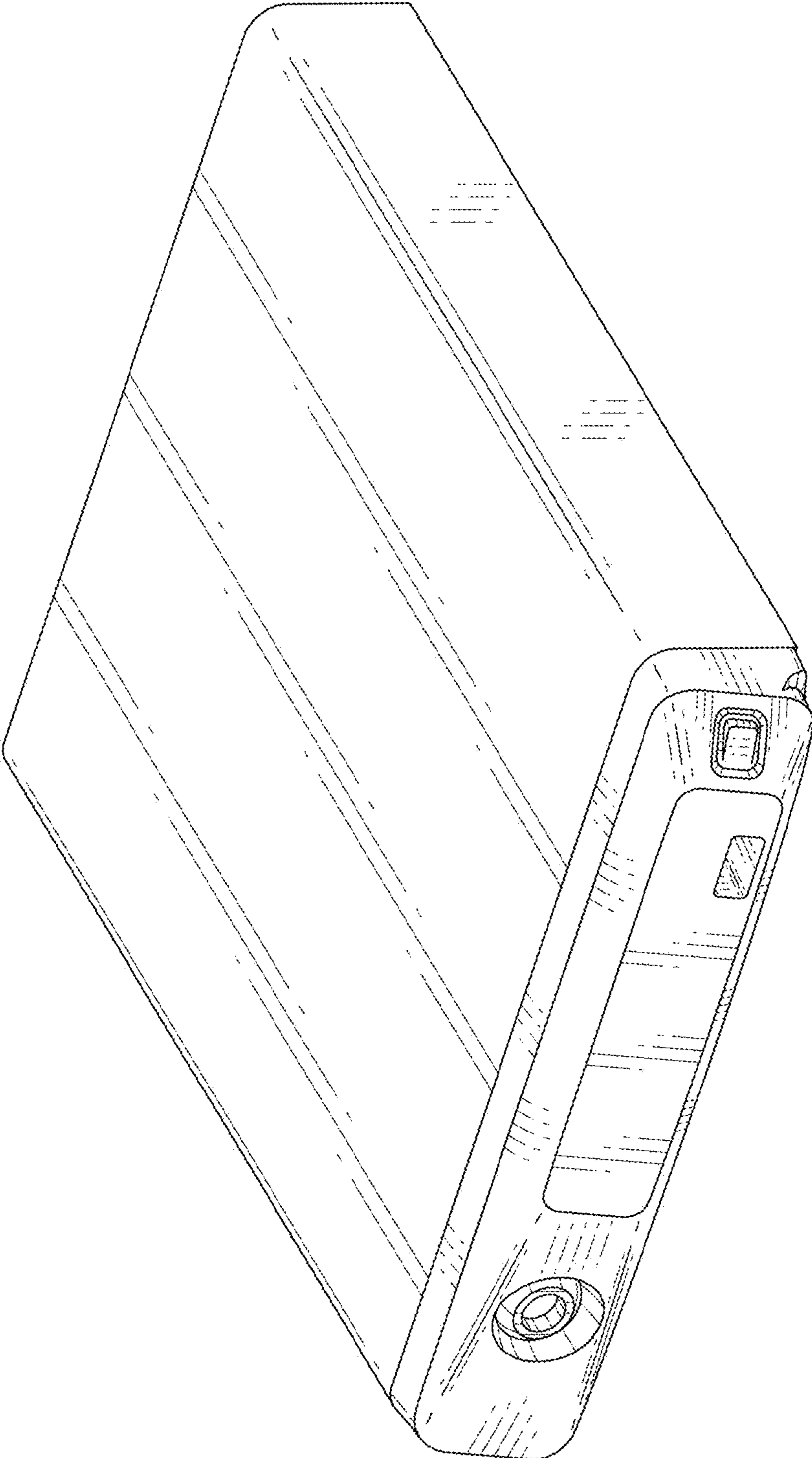


FIG. 2

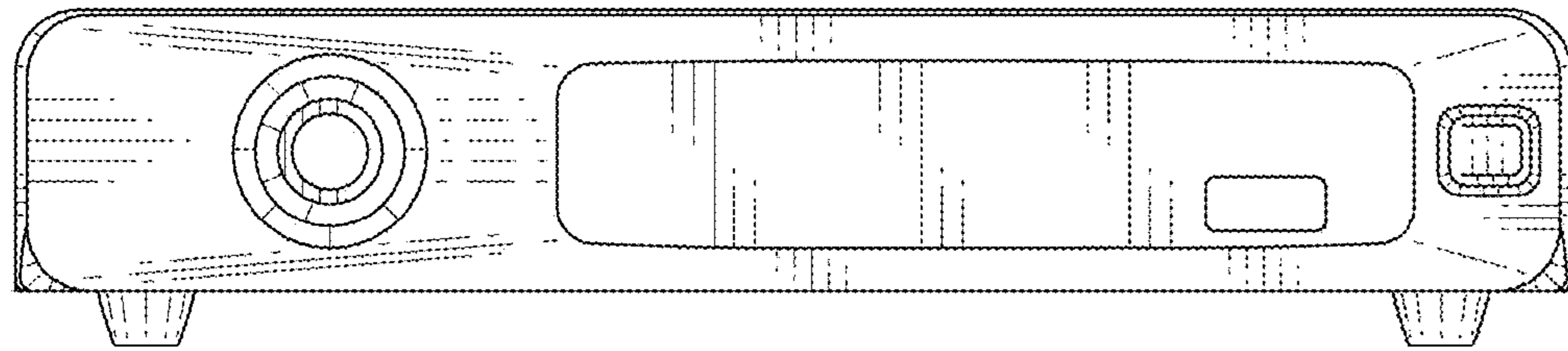


FIG. 3

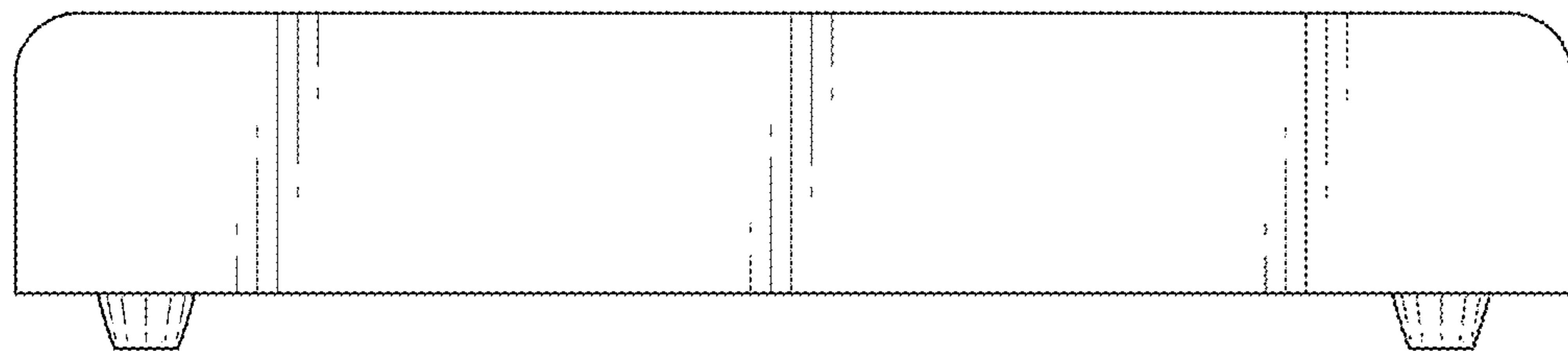


FIG. 4

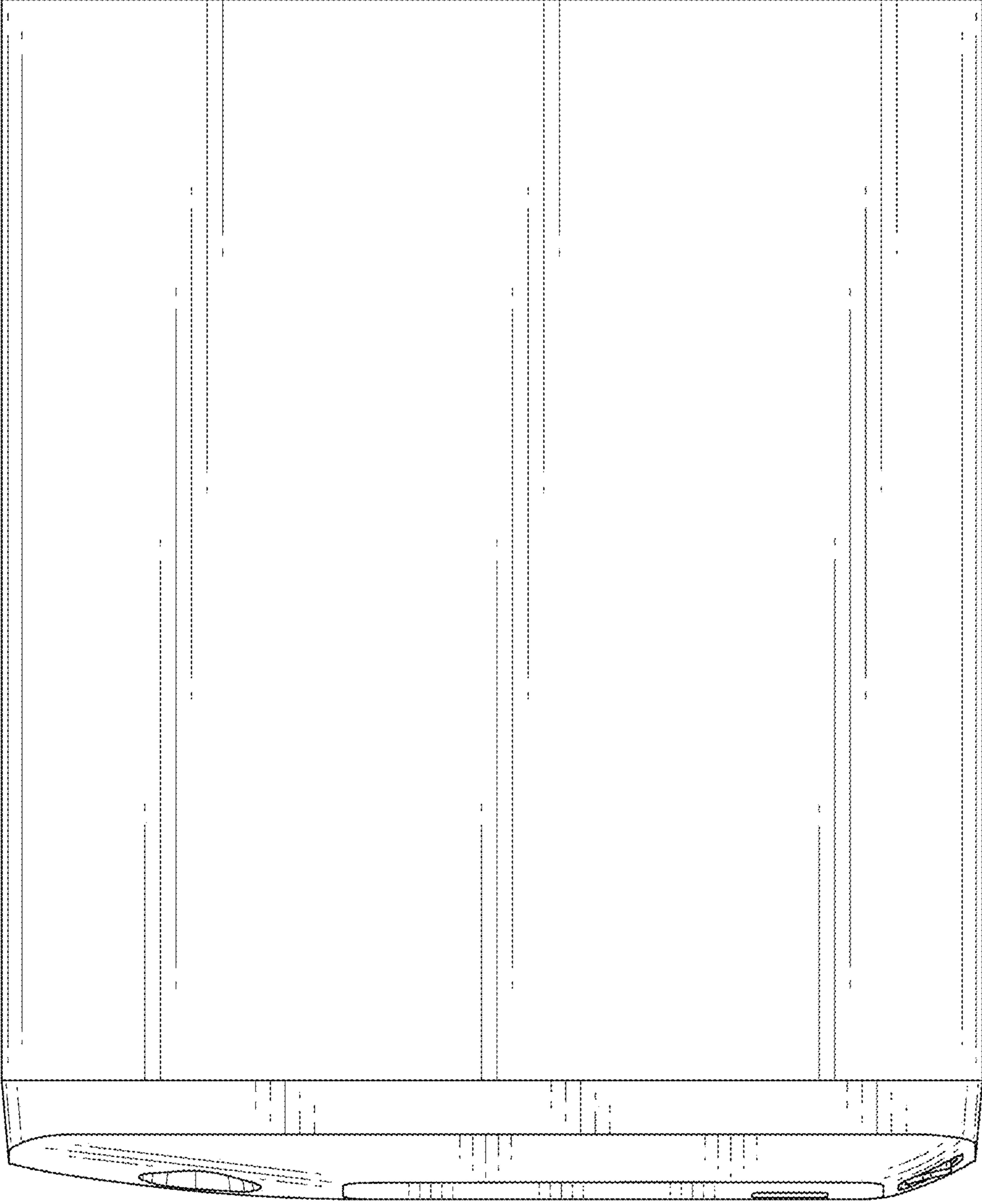


FIG. 5

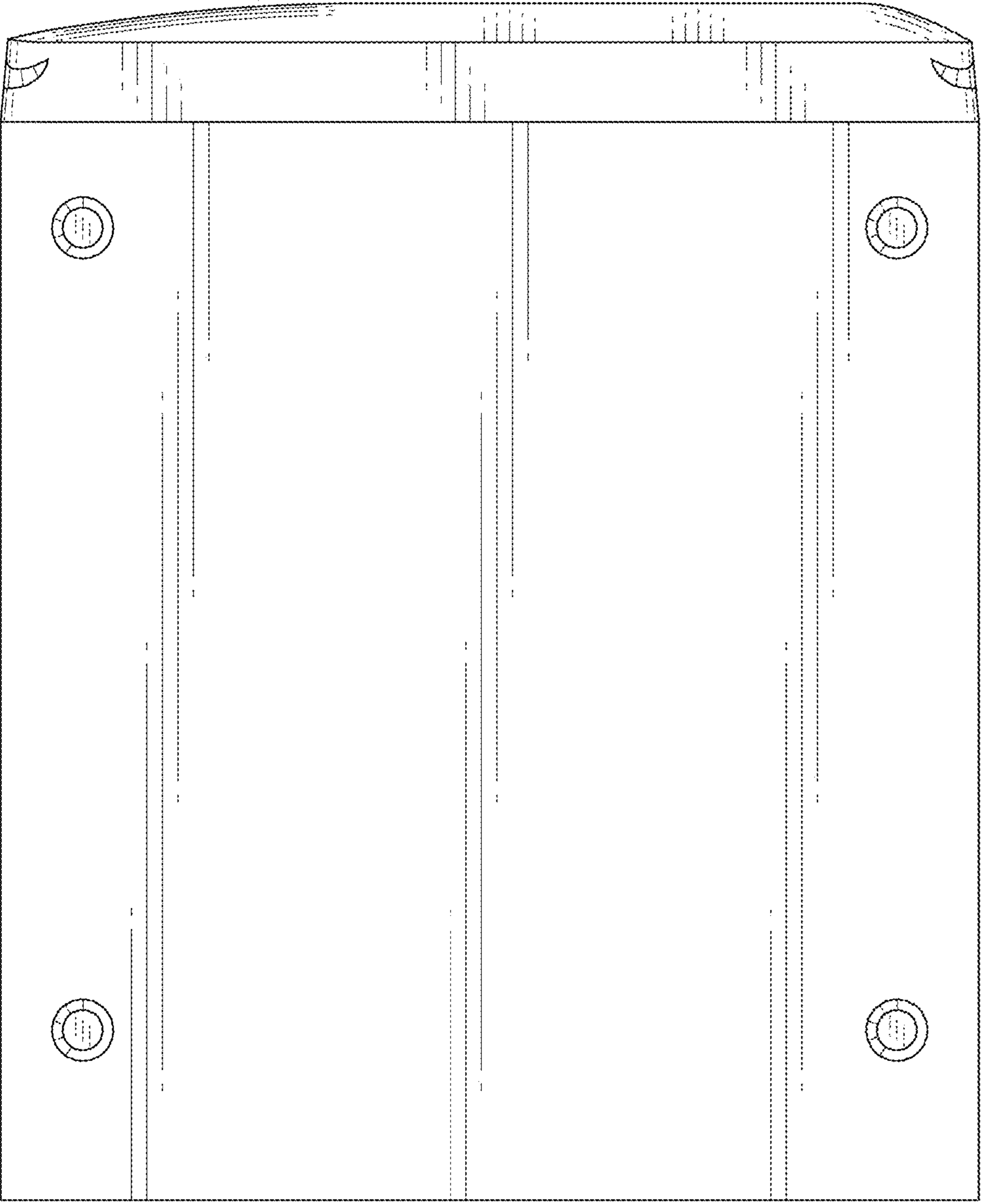


FIG. 6

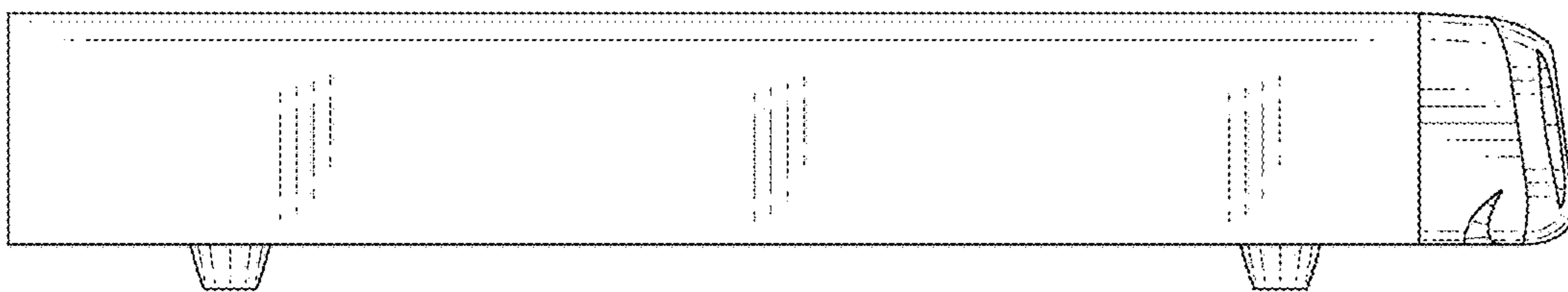


FIG. 7

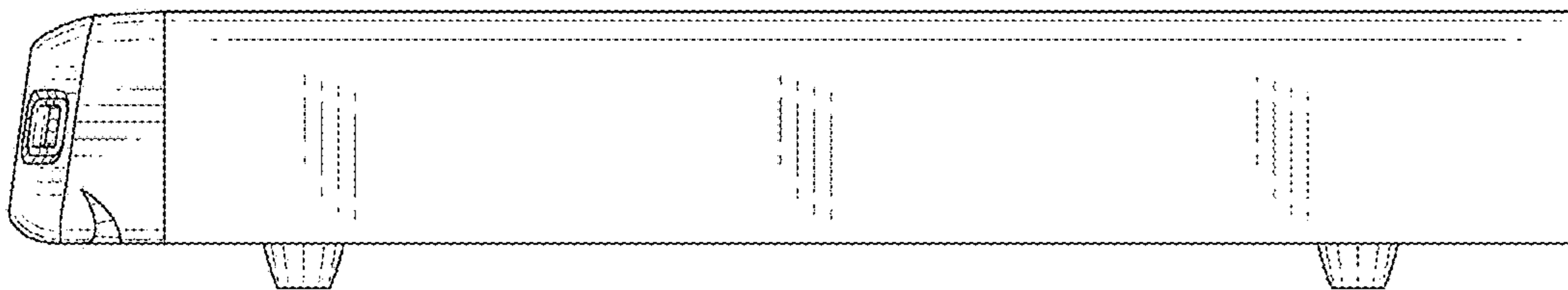


FIG. 8

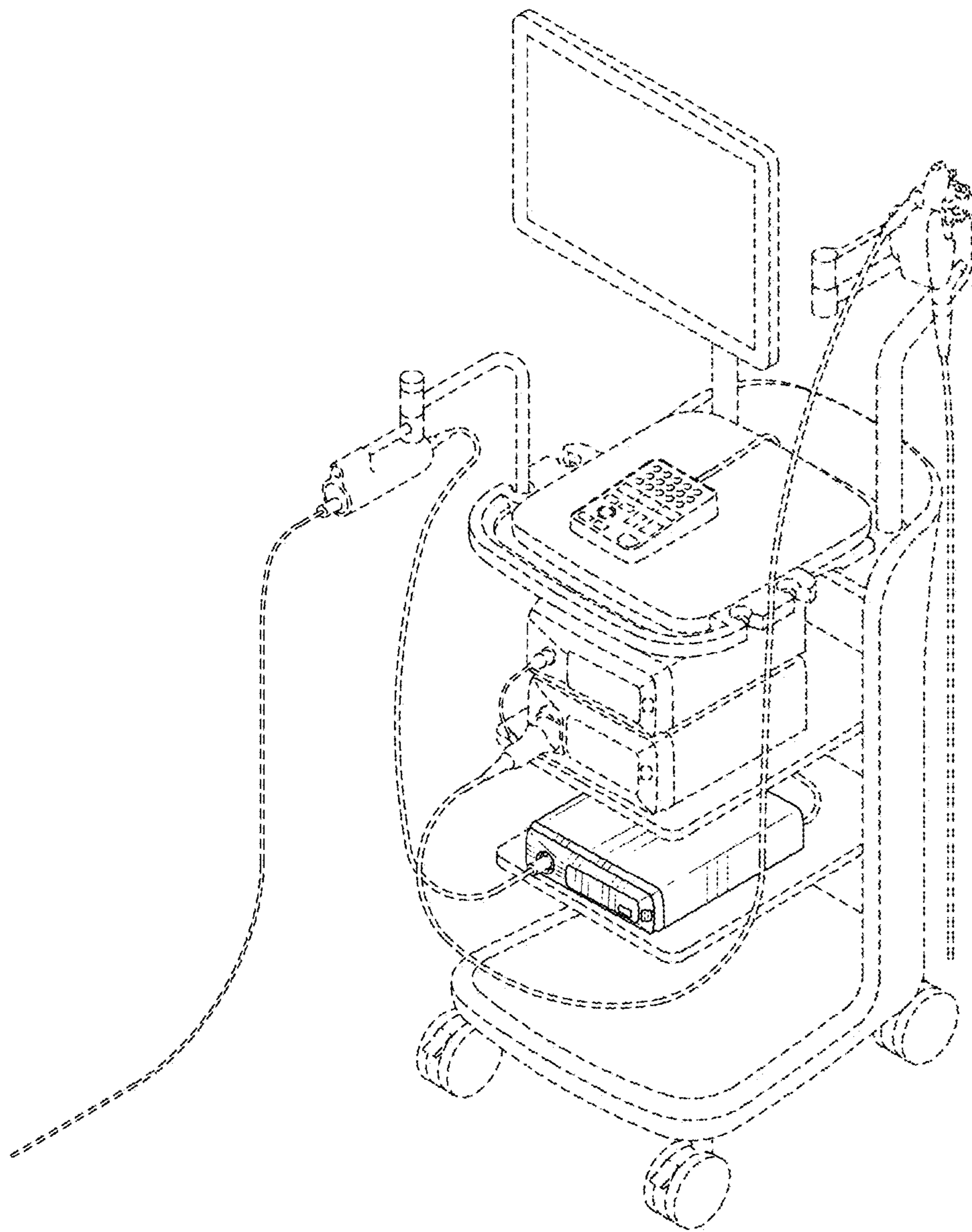


FIG. 9

