



(56)

References Cited

U.S. PATENT DOCUMENTS

D427,308	S	6/2000	Zinger	
6,127,320	A *	10/2000	van Ooij .....	A61M 39/045 508/138
D461,407	S *	8/2002	Barnes .....	D9/435
6,585,229	B2	7/2003	Cote	
6,595,964	B2	7/2003	Finley	
D495,416	S	8/2004	Dimeo	
D630,318	S	1/2011	Goodwin	
8,062,267	B2	11/2011	McKinnon	
D674,088	S	1/2013	Lev	
8,372,059	B2	2/2013	Ziman	
8,409,145	B2	4/2013	Raymond	
D691,261	S	10/2013	Kawamura	
D703,519	S	4/2014	Senseney	
D708,937	S *	7/2014	Lemler .....	D8/386
D708,946	S	7/2014	Hutchison	
D714,935	S *	10/2014	Nishioka .....	D24/130
8,905,994	B1	12/2014	Lev	
D734,868	S	7/2015	Gilboa	
D736,914	S *	8/2015	Schultz .....	D24/129
D746,446	S	12/2015	Turturro	
D750,775	S	3/2016	Carrel	
D761,421	S *	7/2016	Nakagami .....	D24/129
D785,789	S	5/2017	Turturro	
D791,310	S *	7/2017	Maurice .....	D24/129
D791,939	S	7/2017	Turturro	
D796,035	S	8/2017	Turturro	
9,884,176	B2 *	2/2018	Fangrow .....	A61M 39/10
D819,803	S *	6/2018	Kheradpir .....	D24/112
2012/0271246	A1	10/2012	Guala	
2013/0012881	A1	1/2013	Lacy	
2014/0371724	A1 *	12/2014	Tsai .....	A61M 39/10 604/538

\* cited by examiner

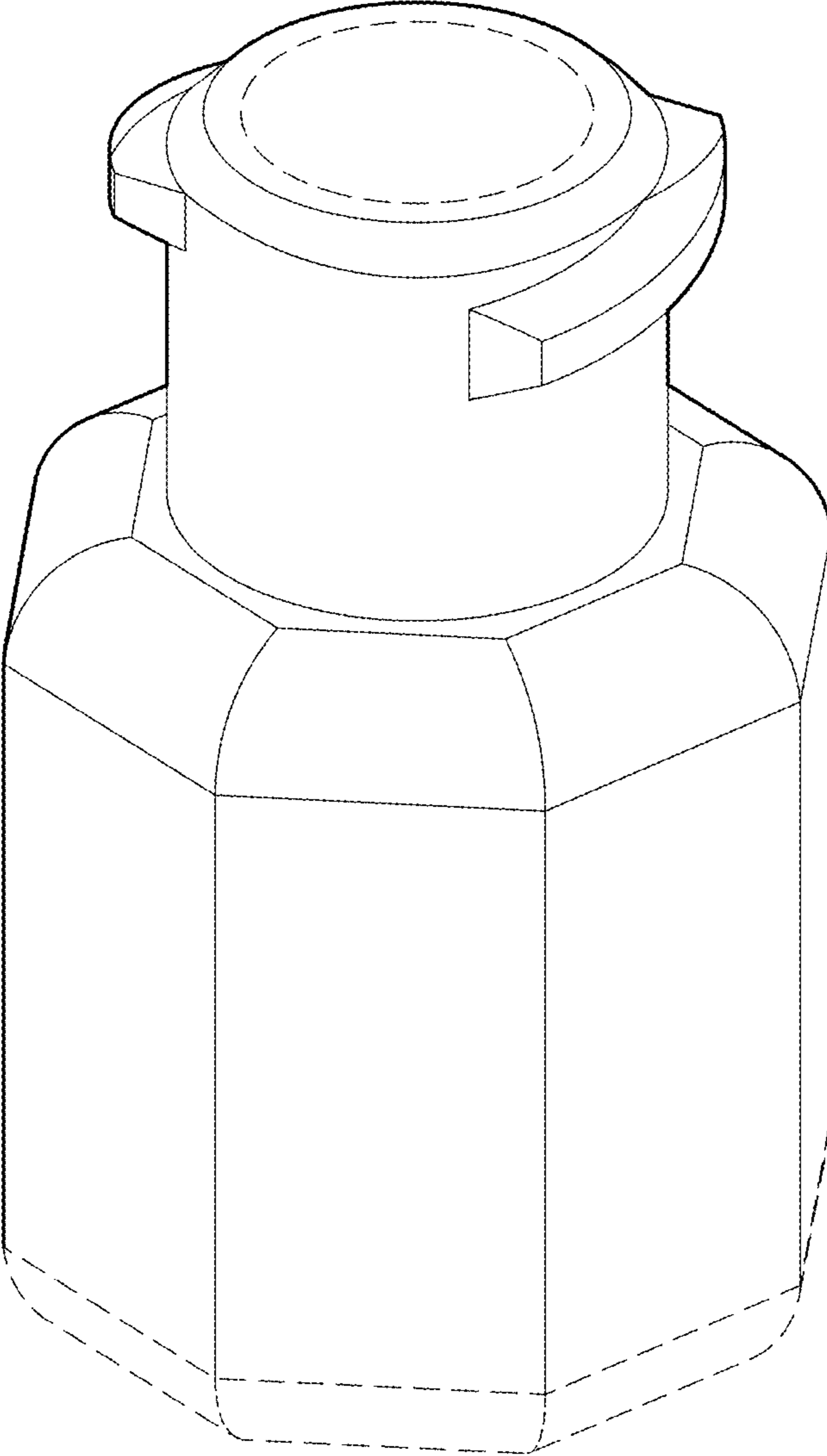


FIG. 1

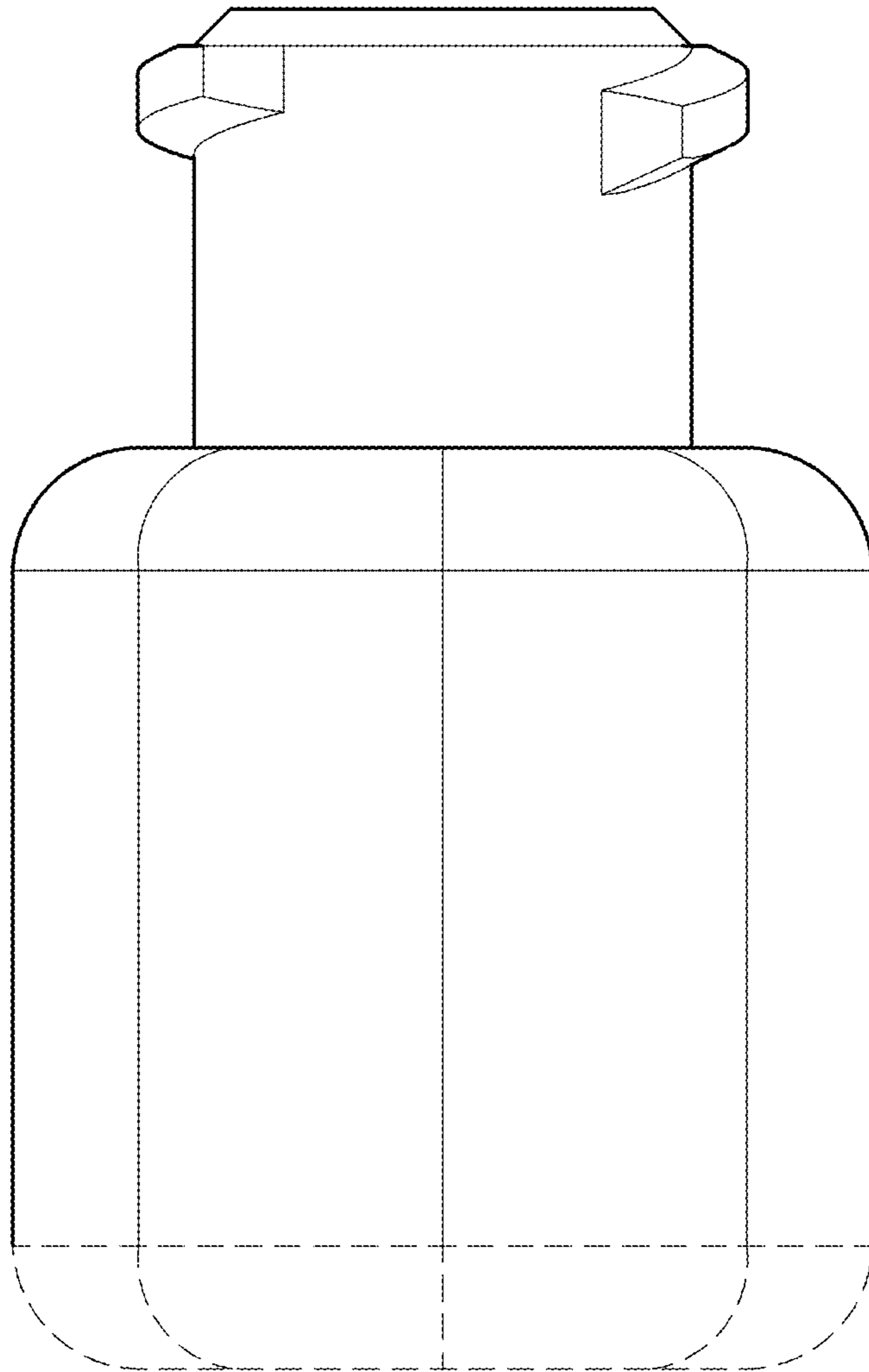


FIG. 2

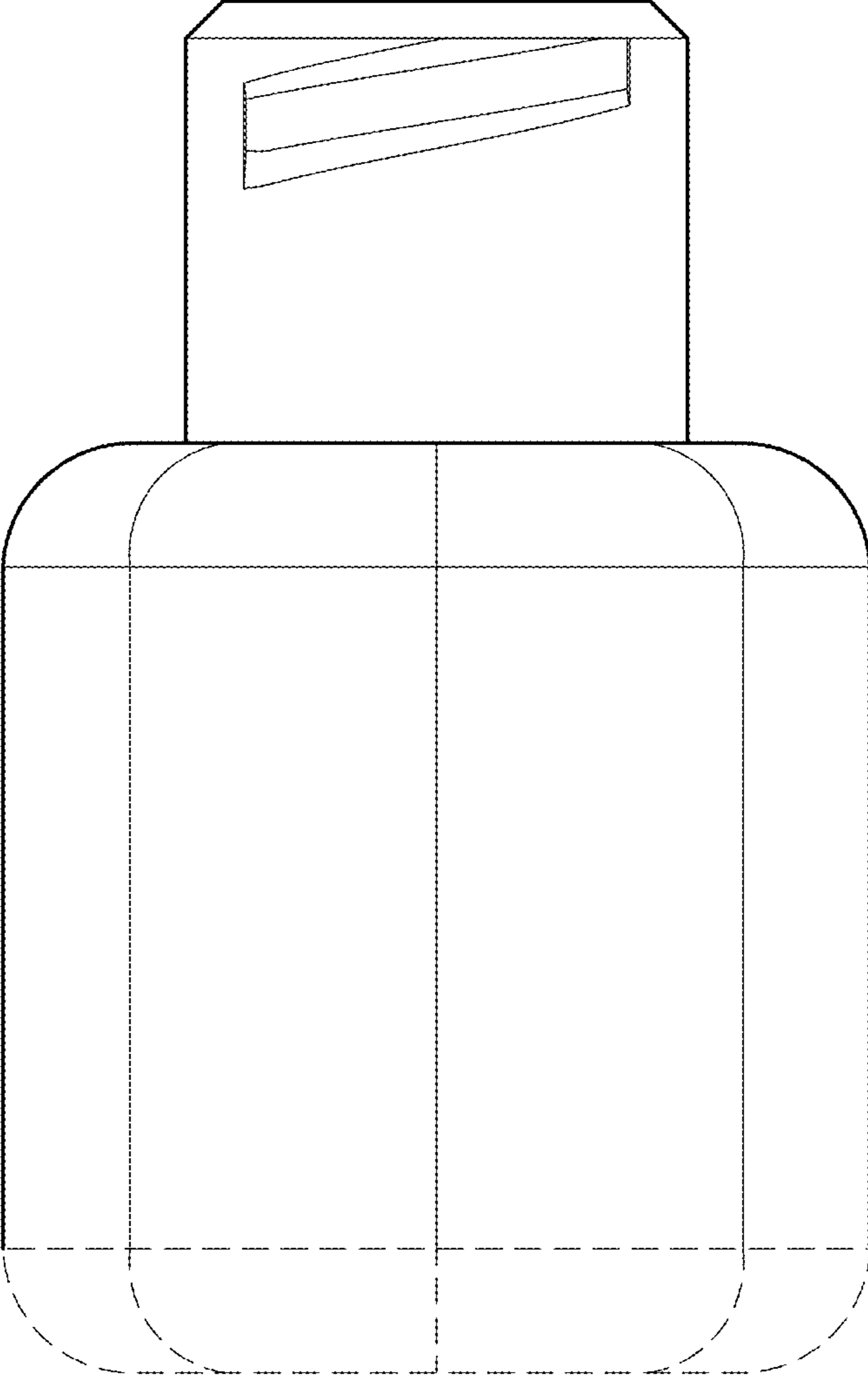


FIG. 3

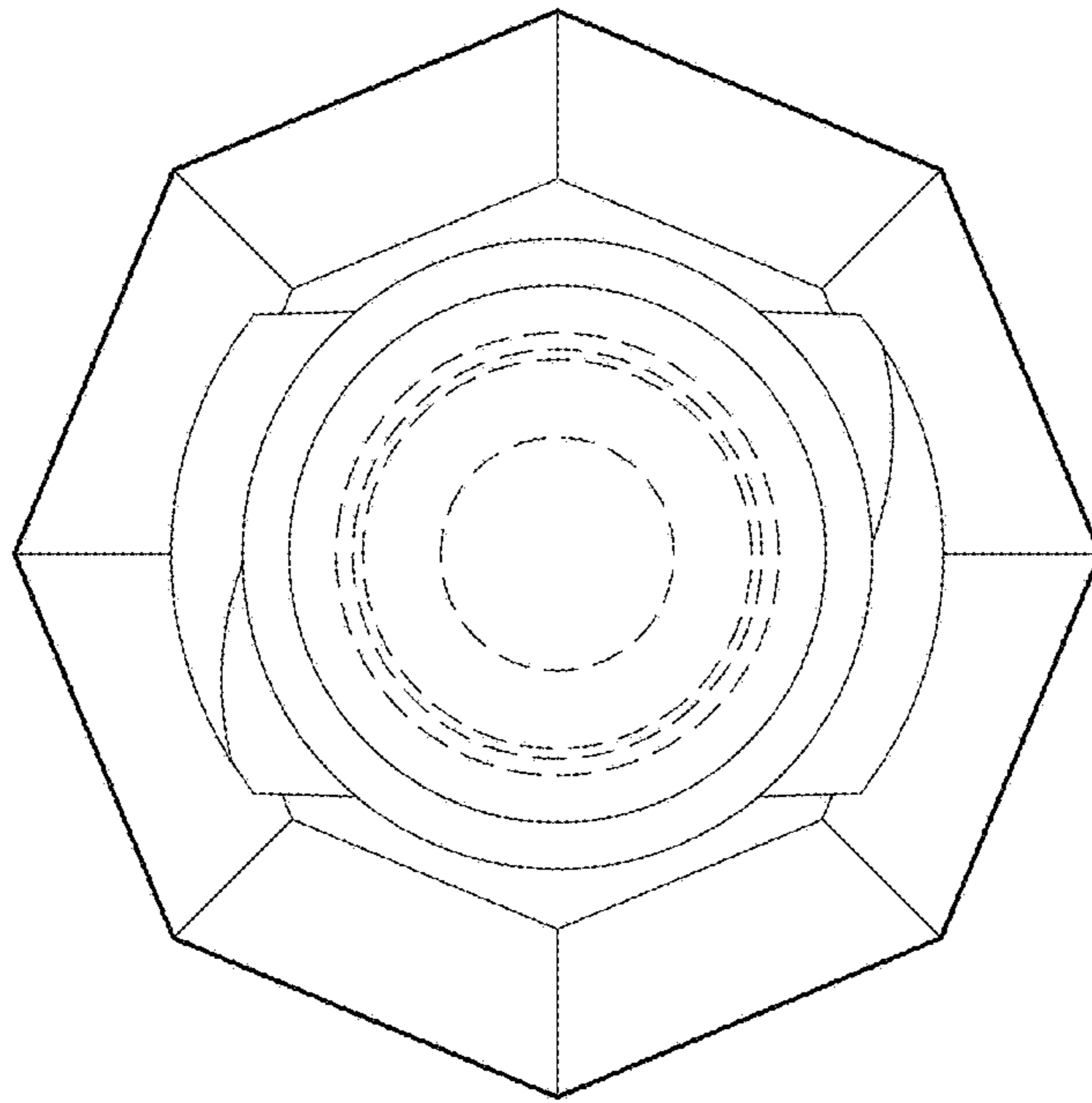


FIG. 4

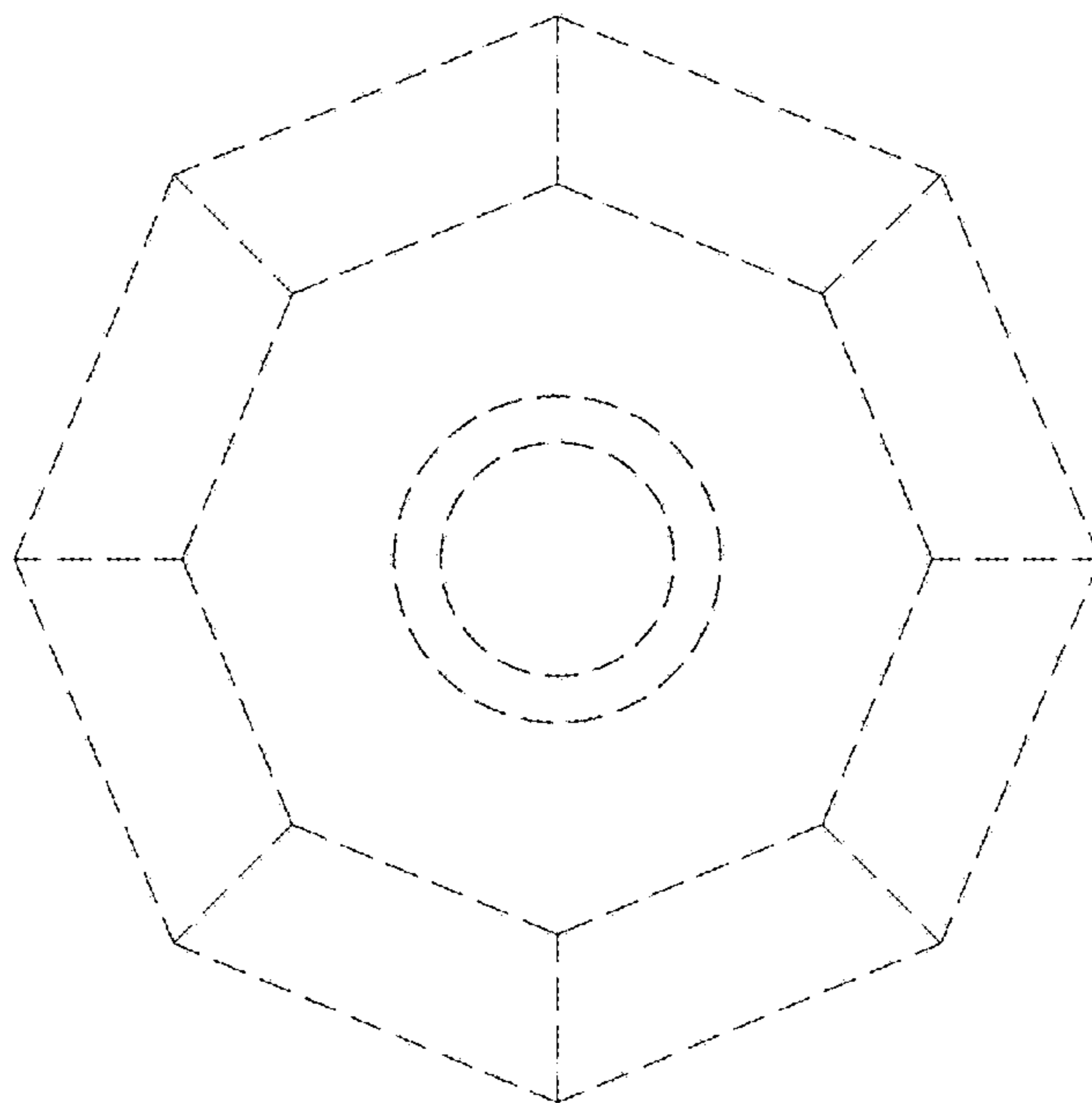


FIG. 5