



US00D832429S

(12) **United States Design Patent** (10) **Patent No.:** **US D832,429 S**  
**Sharpe et al.** (45) **Date of Patent:** **\*\* Oct. 30, 2018**

(54) **IV LOCK BOX**

(71) Applicant: **Gary L. Sharpe**, Naples, FL (US)

(72) Inventors: **Gary L. Sharpe**, Naples, FL (US);  
**Brian Dutro**, Dublin, OH (US)

(73) Assignee: **Gary L. Sharpe**, Naples, FL (US)

(\*\*) Term: **15 Years**

(21) Appl. No.: **29/613,047**

(22) Filed: **Aug. 7, 2017**

(51) **LOC (11) Cl.** ..... **24-02**

(52) **U.S. Cl.**  
USPC ..... **D24/128**

(58) **Field of Classification Search**  
USPC ..... D24/127-131, 112-114, 133, 186;  
606/181, 185; 604/264, 523-528, 272,  
604/187, 158, 164.01-164.11, 181, 184,  
604/227; 600/101, 139, 143;  
128/200.24, 207.14, 207.15; D3/203.1  
CPC .. A61M 25/065; A61M 5/42; A61M 25/0612;  
A61M 25/00; A61M 39/00; A61M 27/00;  
A61M 25/0043; A61M 25/0067; A61M  
25/0097; A61F 2/958

See application file for complete search history.

(56) **References Cited**

**U.S. PATENT DOCUMENTS**

D578,386 S *	10/2008	Silvenis	.....	D3/203.1
7,510,564 B2 *	3/2009	MacE	.....	A61B 5/150022
				606/181
D591,859 S *	5/2009	Stark	.....	D24/131
D621,152 S *	8/2010	Lebow	.....	D3/203.1
D622,839 S *	8/2010	Fisher	.....	D24/129
D623,398 S	9/2010	Meiser et al.		
D624,645 S *	9/2010	Shaffer	.....	D24/129
D650,986 S *	12/2011	Brady	.....	D3/203.1

(Continued)

Primary Examiner — David Muller

(74) *Attorney, Agent, or Firm* — Standley Law Group  
LLP; Jeffrey Standley; Beverly Marsh

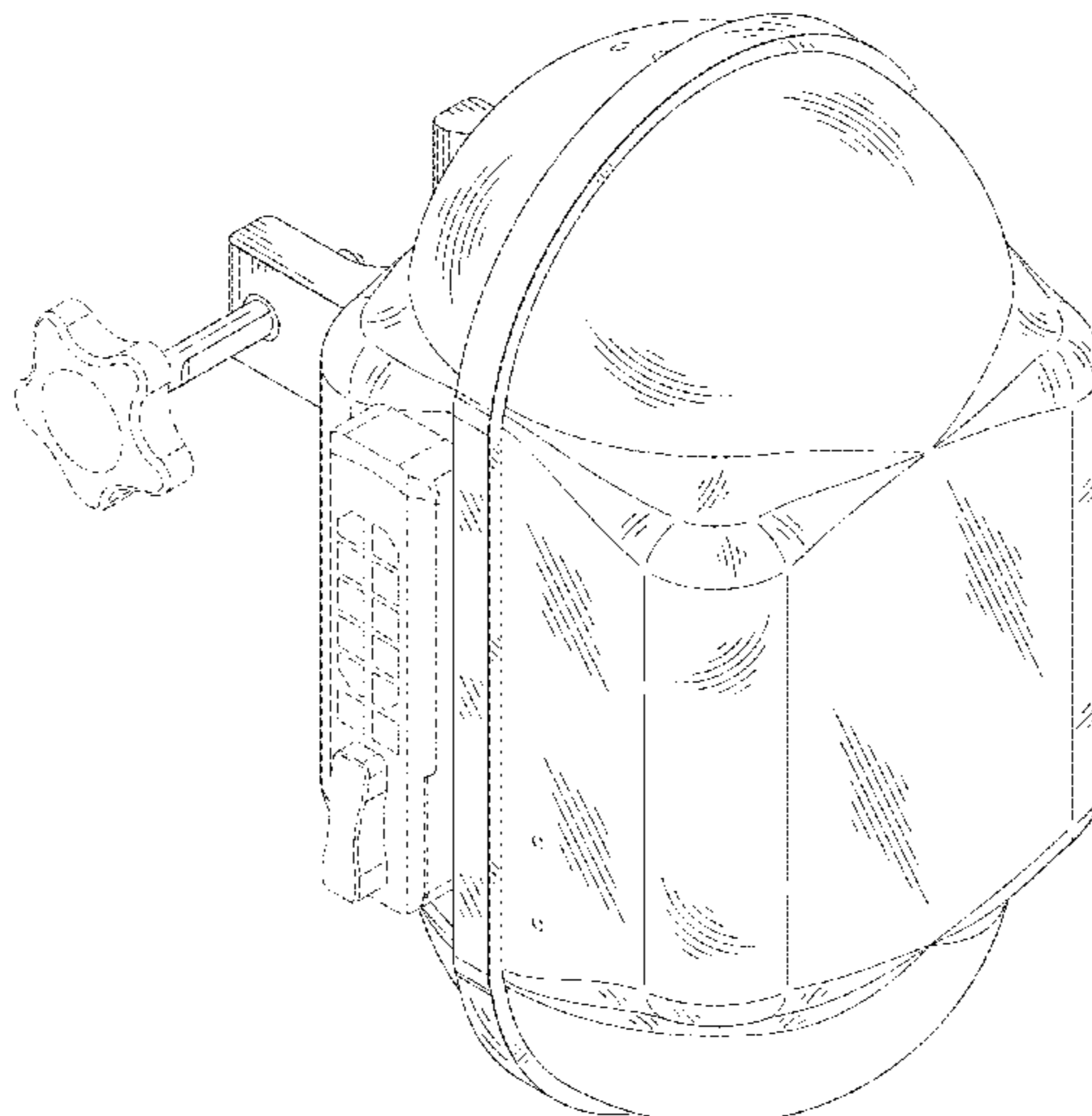
(57) **CLAIM**

The ornamental design for a IV lock box, as shown and described.

**DESCRIPTION**

FIG. 1 is a front perspective view of an embodiment of the IV lock box, in a first closed configuration;  
 FIG. 2 is a front elevation view of the FIG. 1 device in the first configuration;  
 FIG. 3 is a rear elevation view of the FIG. 1 device in the first configuration;  
 FIG. 4 is a right-side elevation view of the FIG. 1 device in the first configuration;  
 FIG. 5 is a left-side elevation view of the FIG. 1 device in the first configuration;  
 FIG. 6 is a top plan view of the FIG. 1 device in the first configuration;  
 FIG. 7 is a bottom plan view of the FIG. 1 device in the first configuration;  
 FIG. 8 is a front perspective view of the FIG. 1 device in a second open configuration;  
 FIG. 9 is a front elevation view of the FIG. 1 device in the second configuration;  
 FIG. 10 is a rear elevation view of the FIG. 1 device in the second configuration;  
 FIG. 11 is a right-side elevation view of the FIG. 1 device in the second configuration;  
 FIG. 12 is a left-side elevation view of the FIG. 1 device in the second configuration;  
 FIG. 13 is a top plan view of the FIG. 1 device in the second configuration; and,  
 FIG. 14 is a bottom plan view of the FIG. 1 device in the second configuration.  
 The broken line showing of parts of the drawings is included for the purpose of illustrating use and environment and forms no part of the claimed design.

**1 Claim, 14 Drawing Sheets**



(56)

**References Cited**

U.S. PATENT DOCUMENTS

8,491,618 B2 \* 7/2013 Nicholls ..... A61B 5/150022  
606/181  
8,876,798 B2 \* 11/2014 Clark ..... A61M 39/1011  
604/533  
8,900,206 B2 \* 12/2014 Halili ..... A61M 5/162  
604/201  
8,950,580 B2 2/2015 Sharpe et al.  
9,114,201 B2 \* 8/2015 Iio ..... A61M 5/002  
D746,058 S \* 12/2015 Serell ..... D3/203.1  
D808,152 S \* 1/2018 Giannopoulos ..... D3/203.1

\* cited by examiner

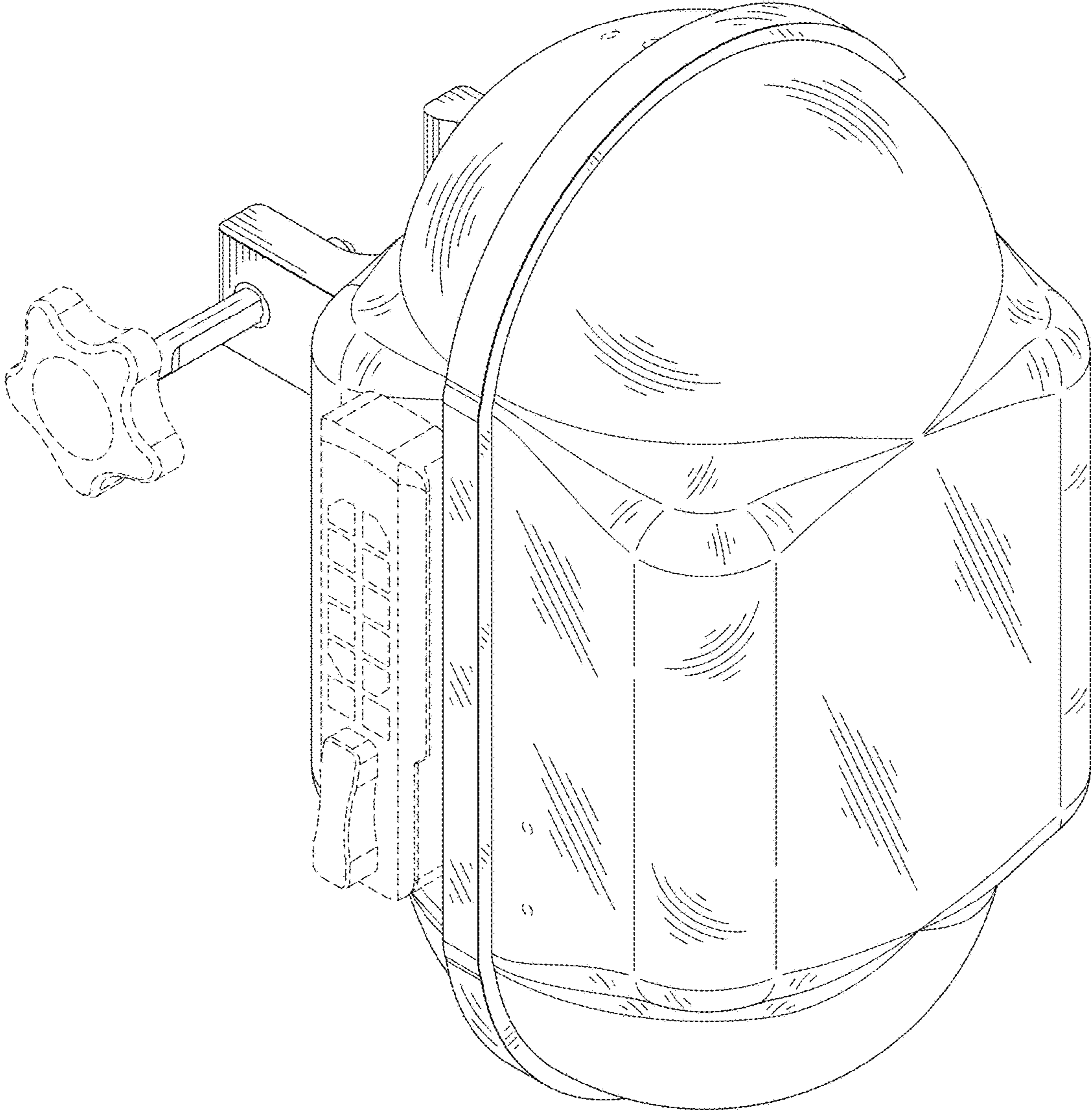


FIG. 1

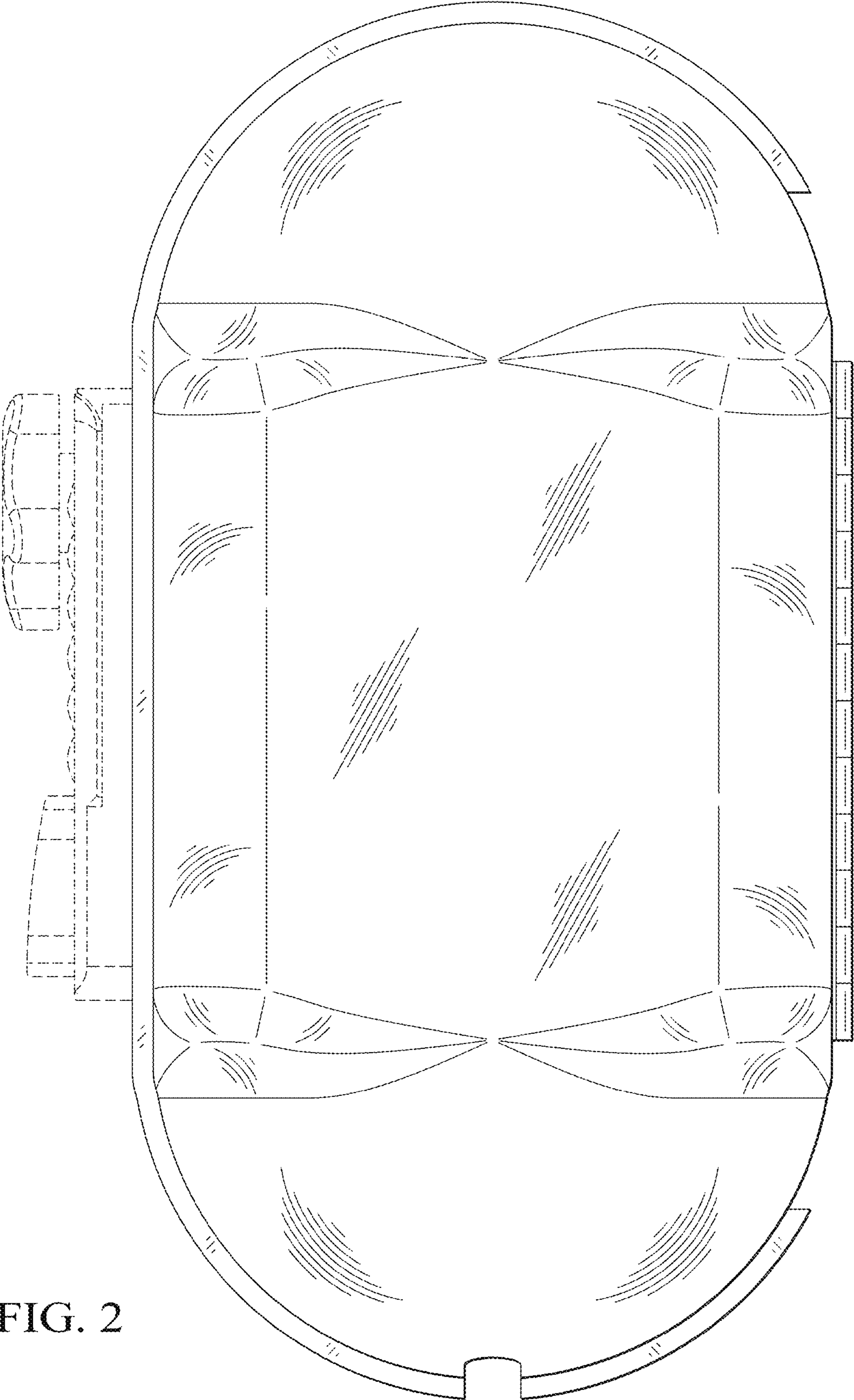


FIG. 2



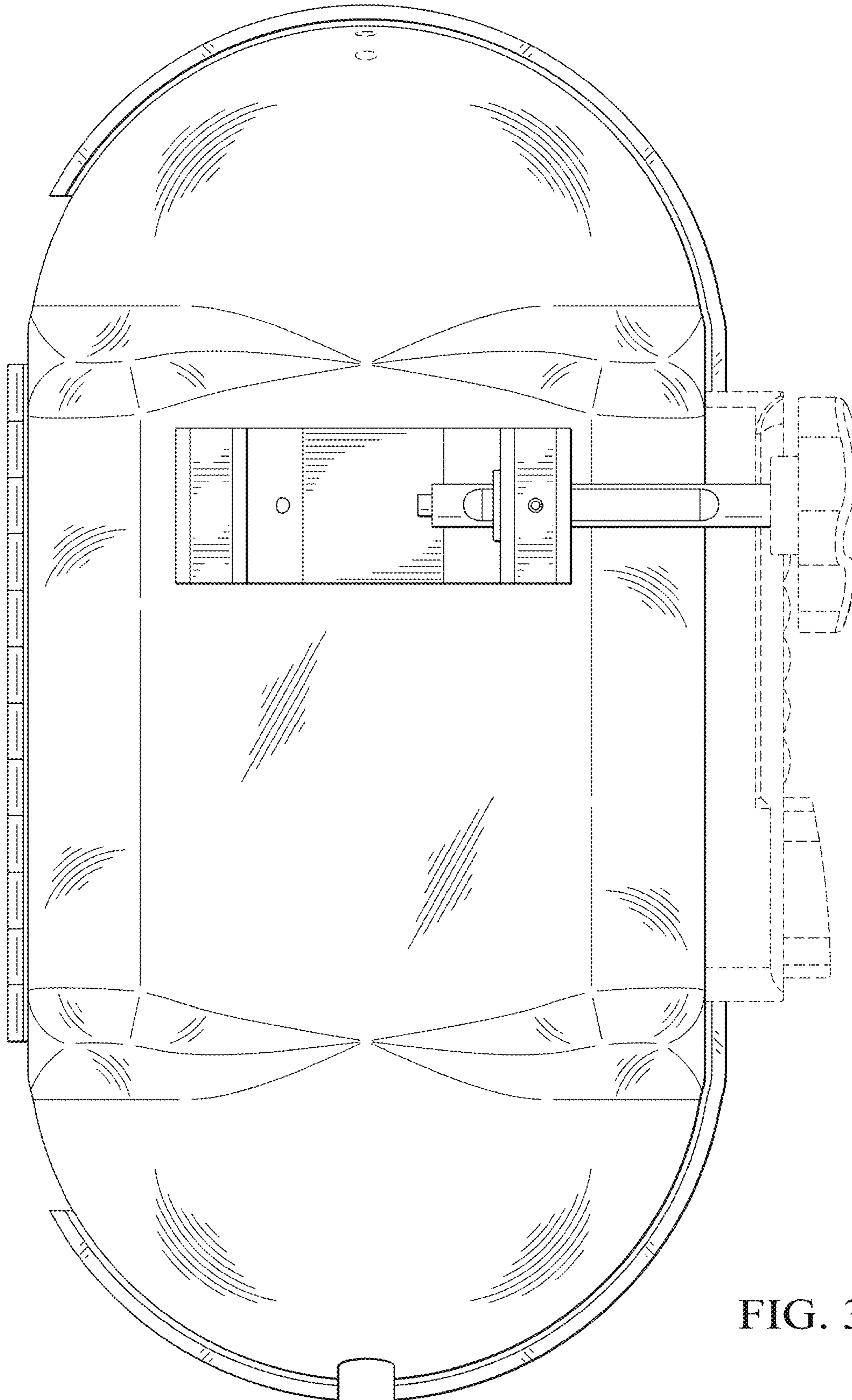


FIG. 3

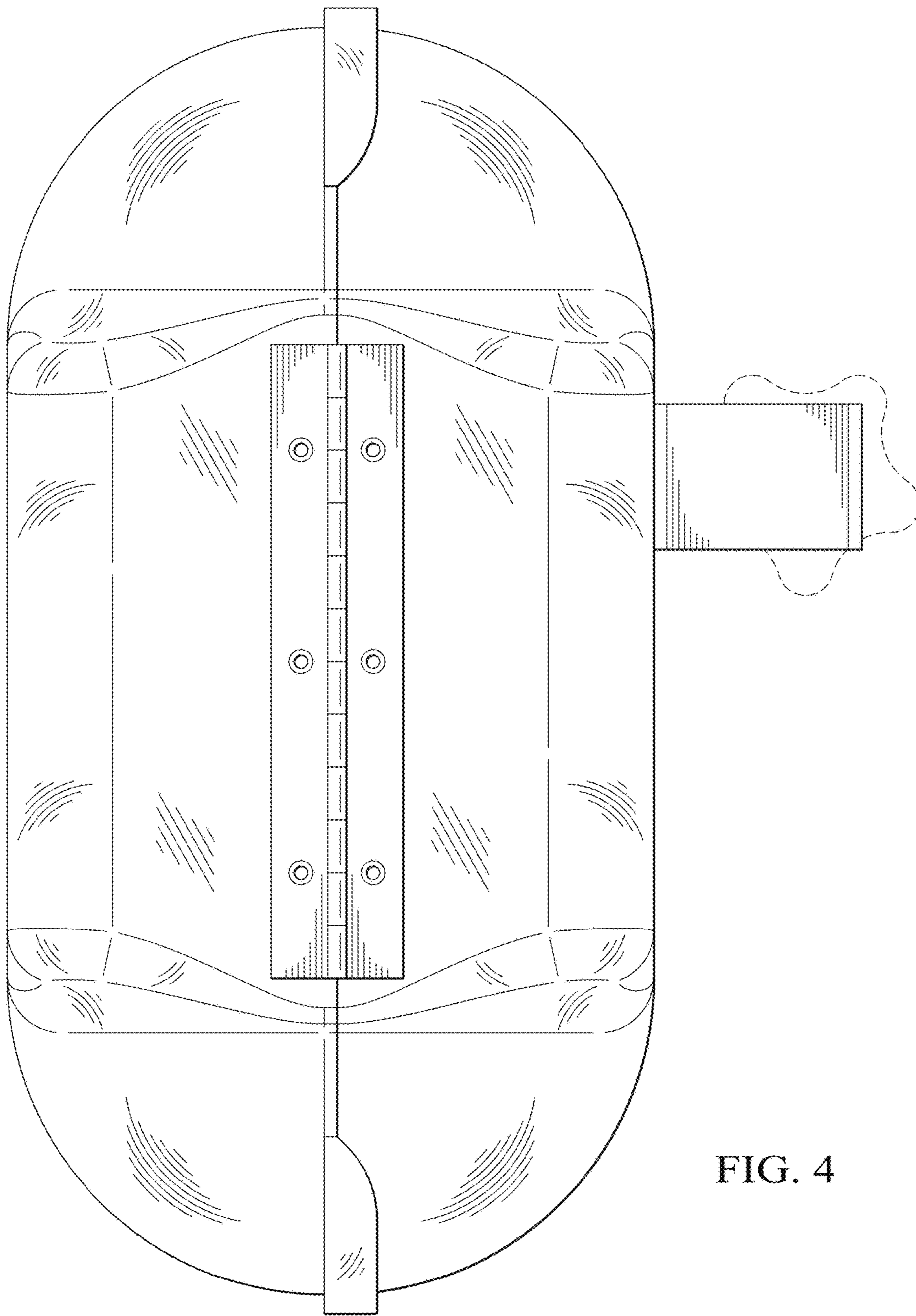


FIG. 4

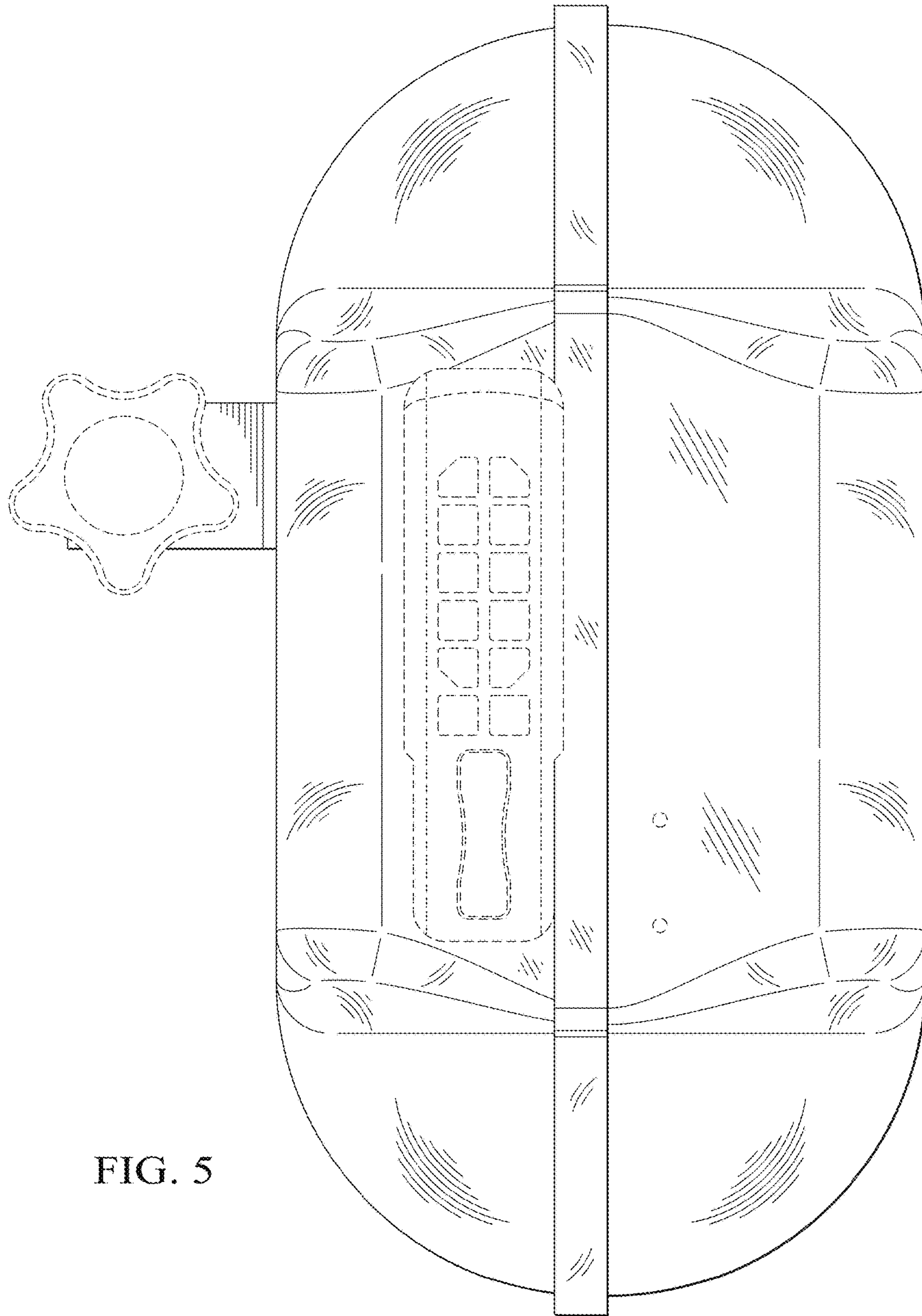


FIG. 5

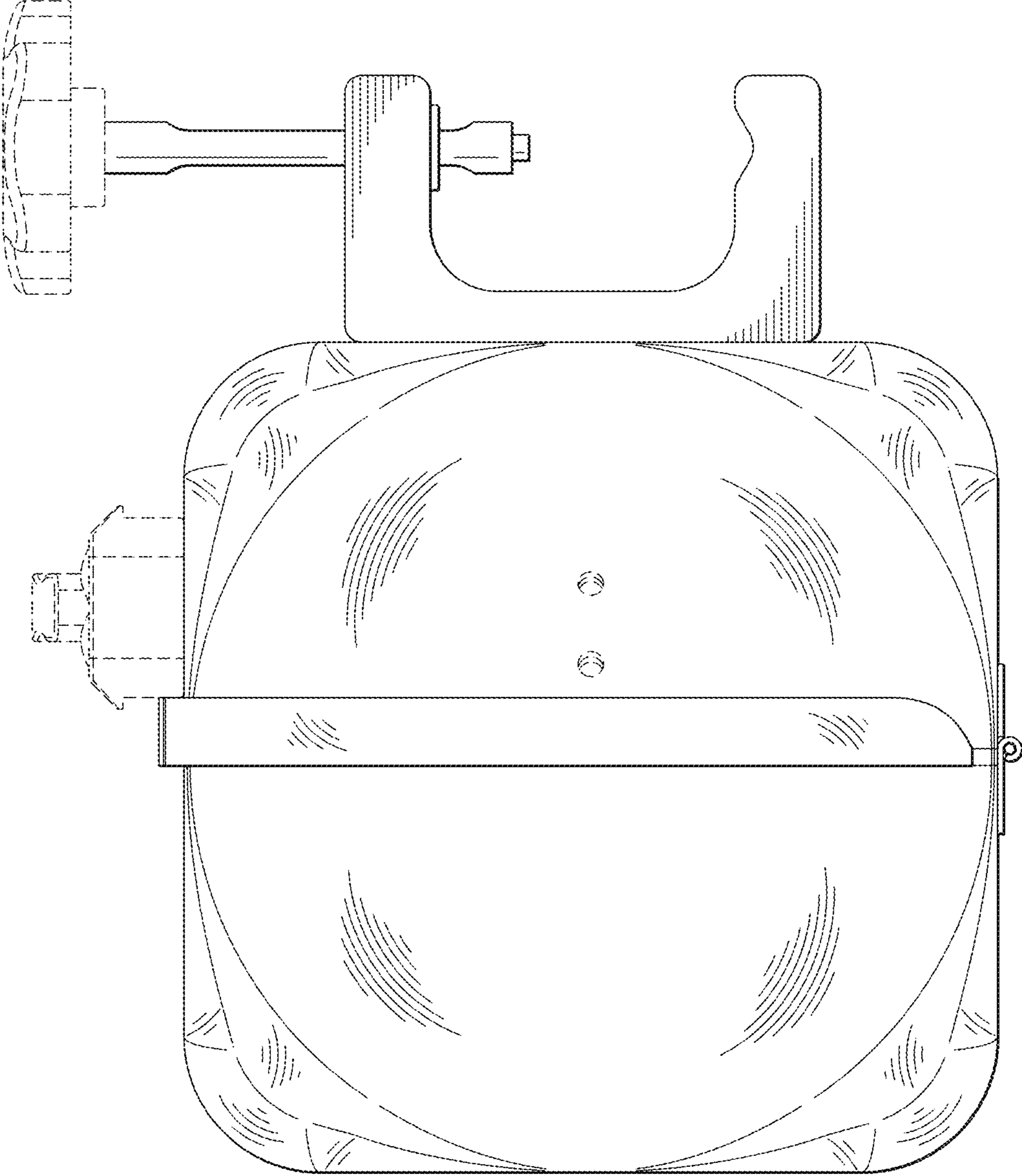


FIG. 6



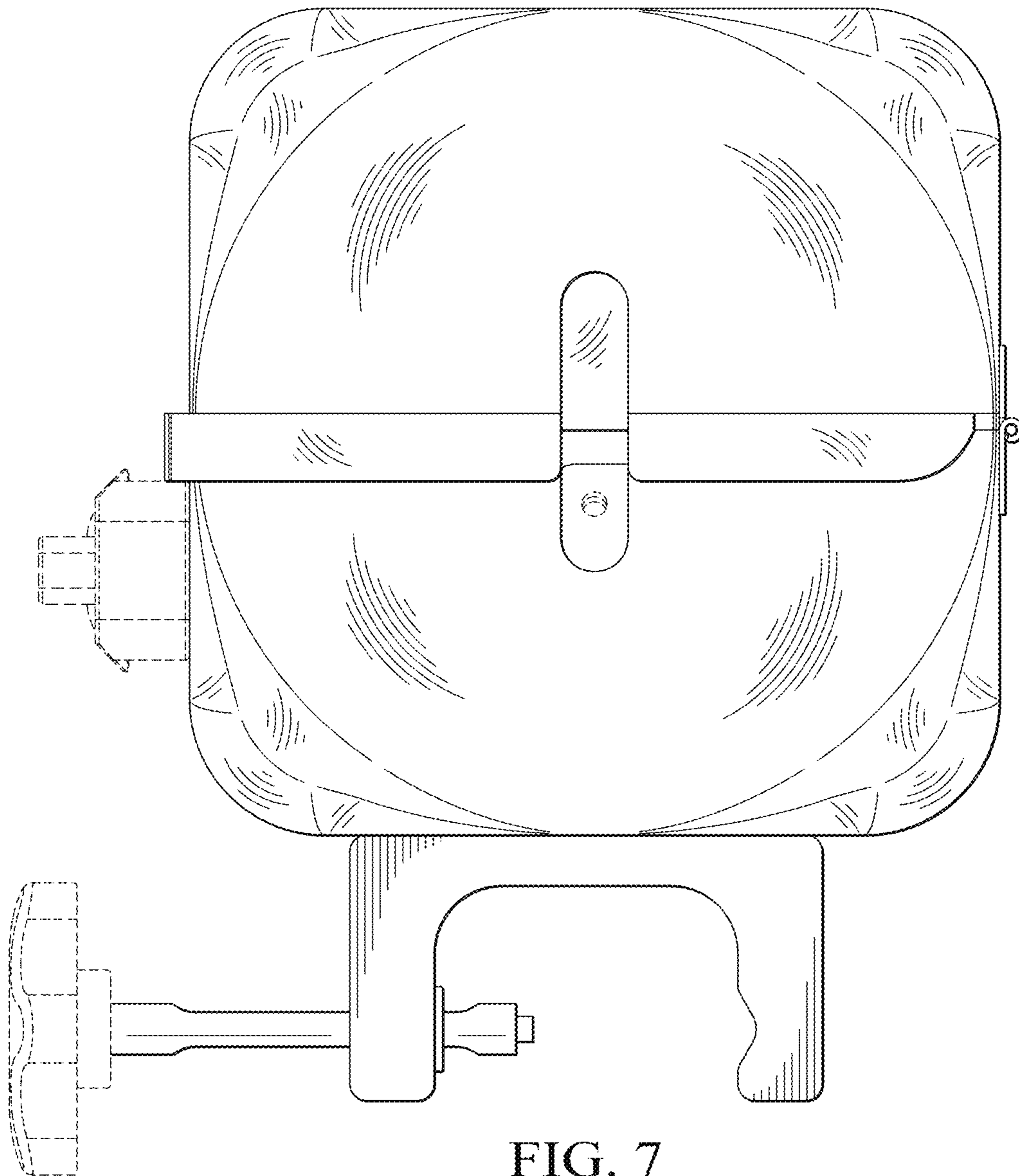


FIG. 7

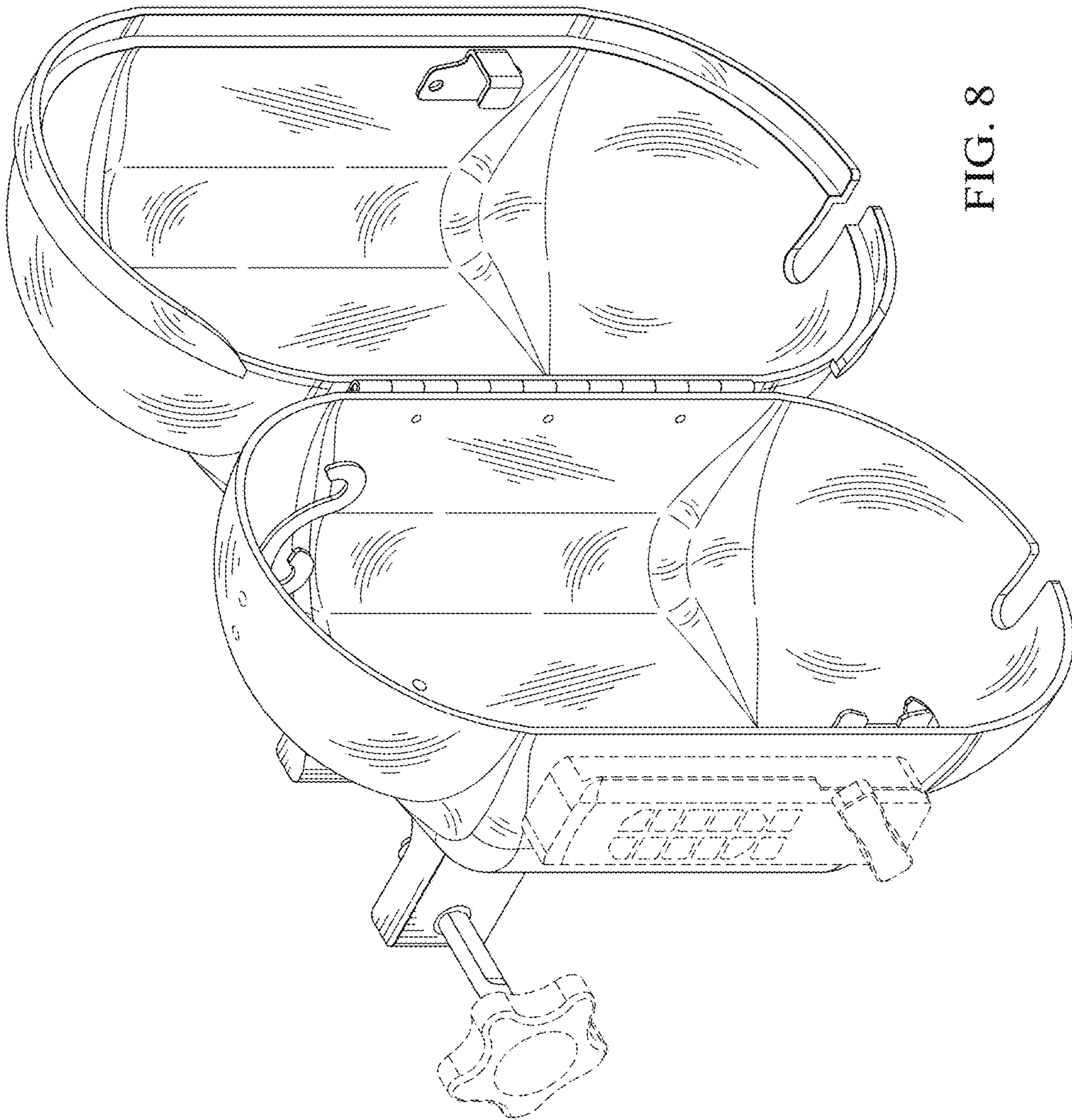


FIG. 8

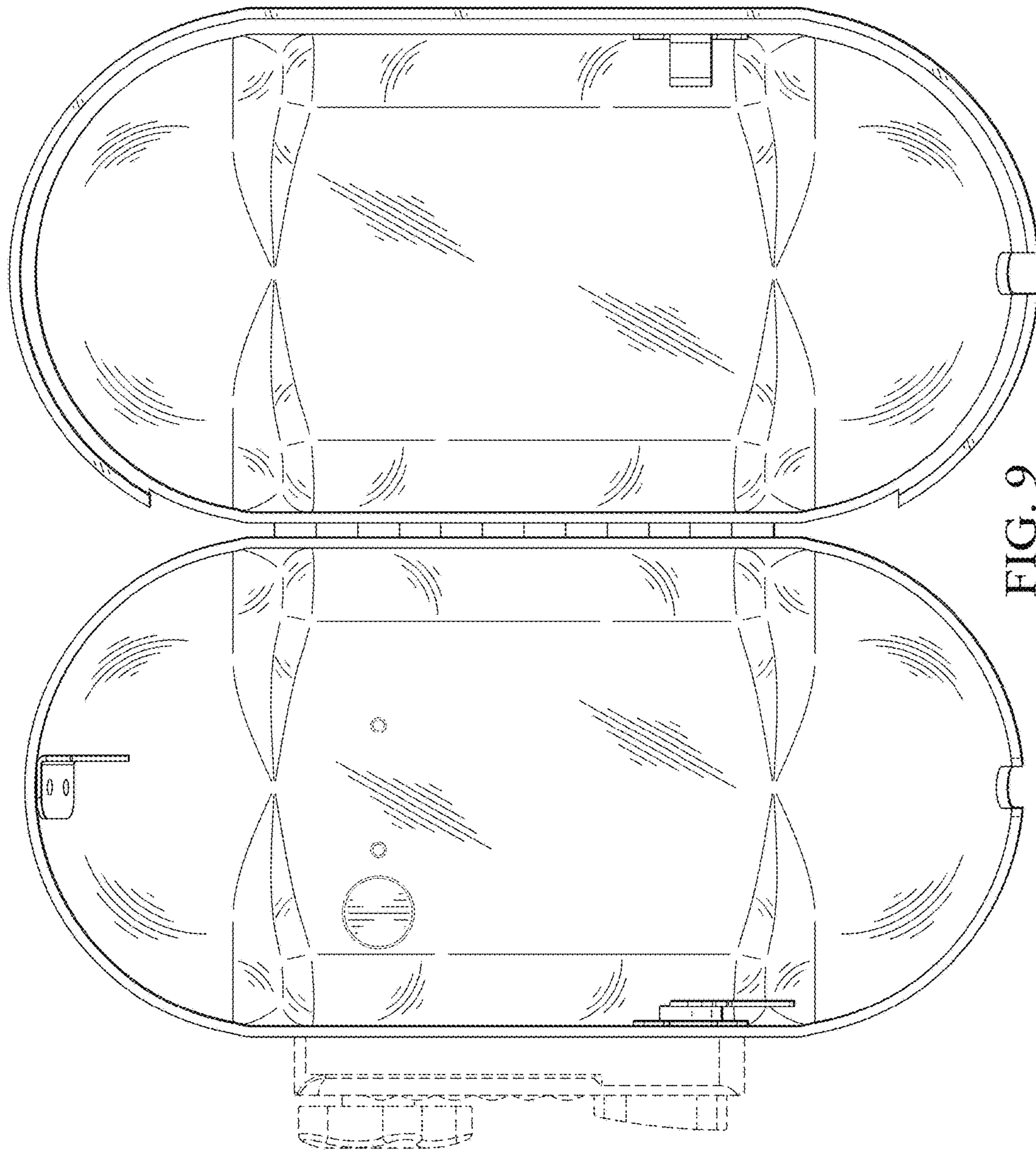


FIG. 9

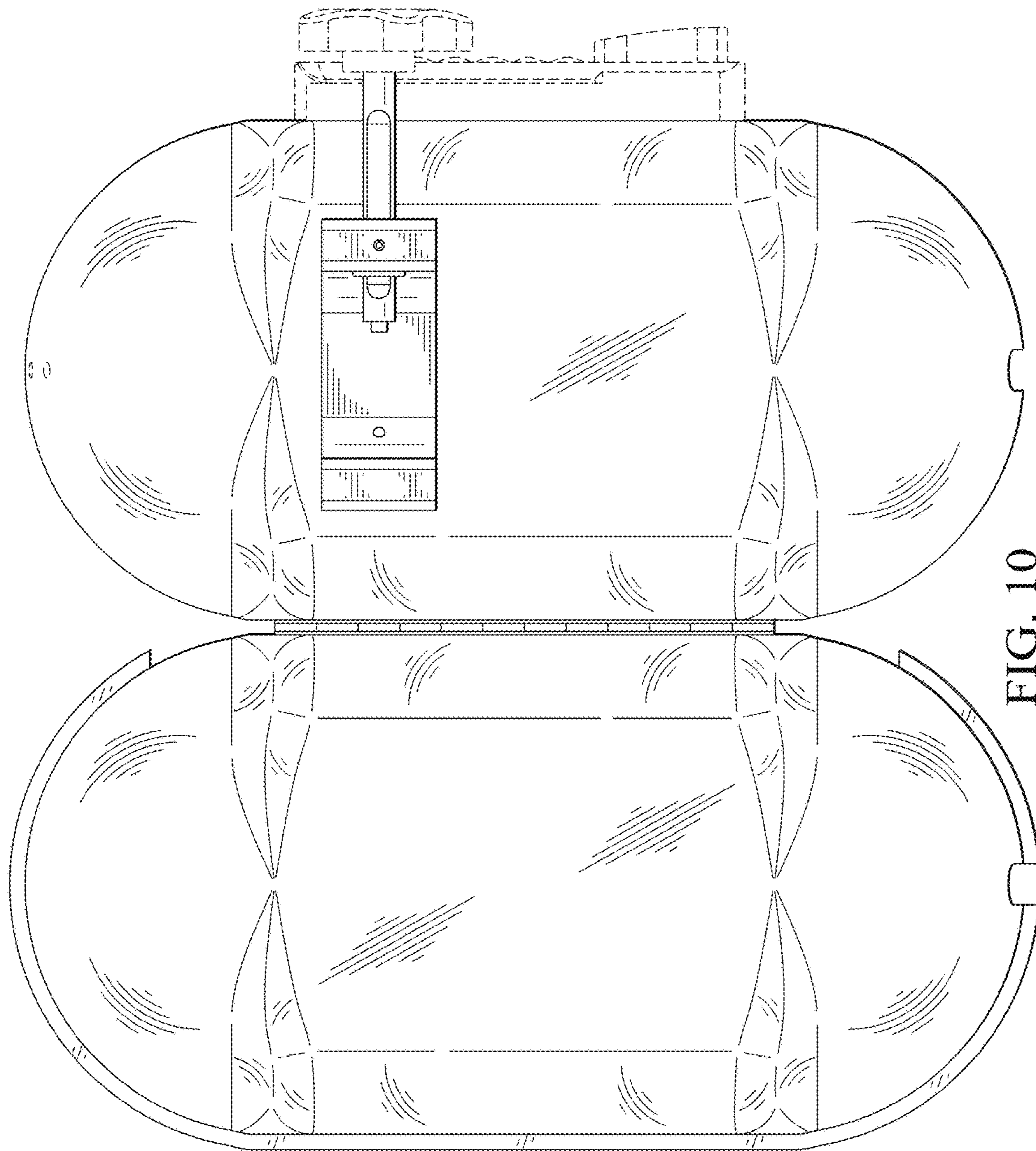


FIG. 10



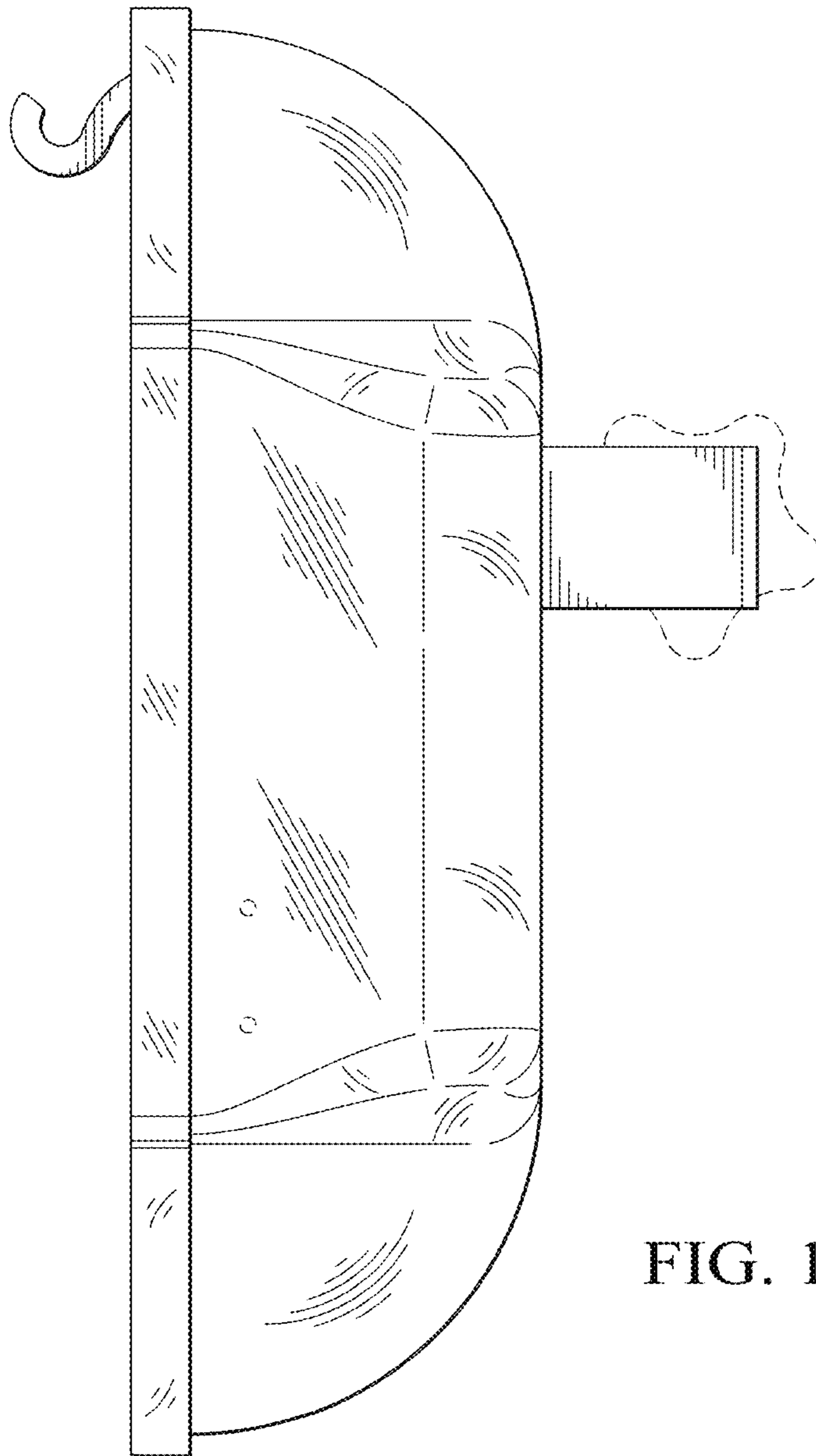


FIG. 11

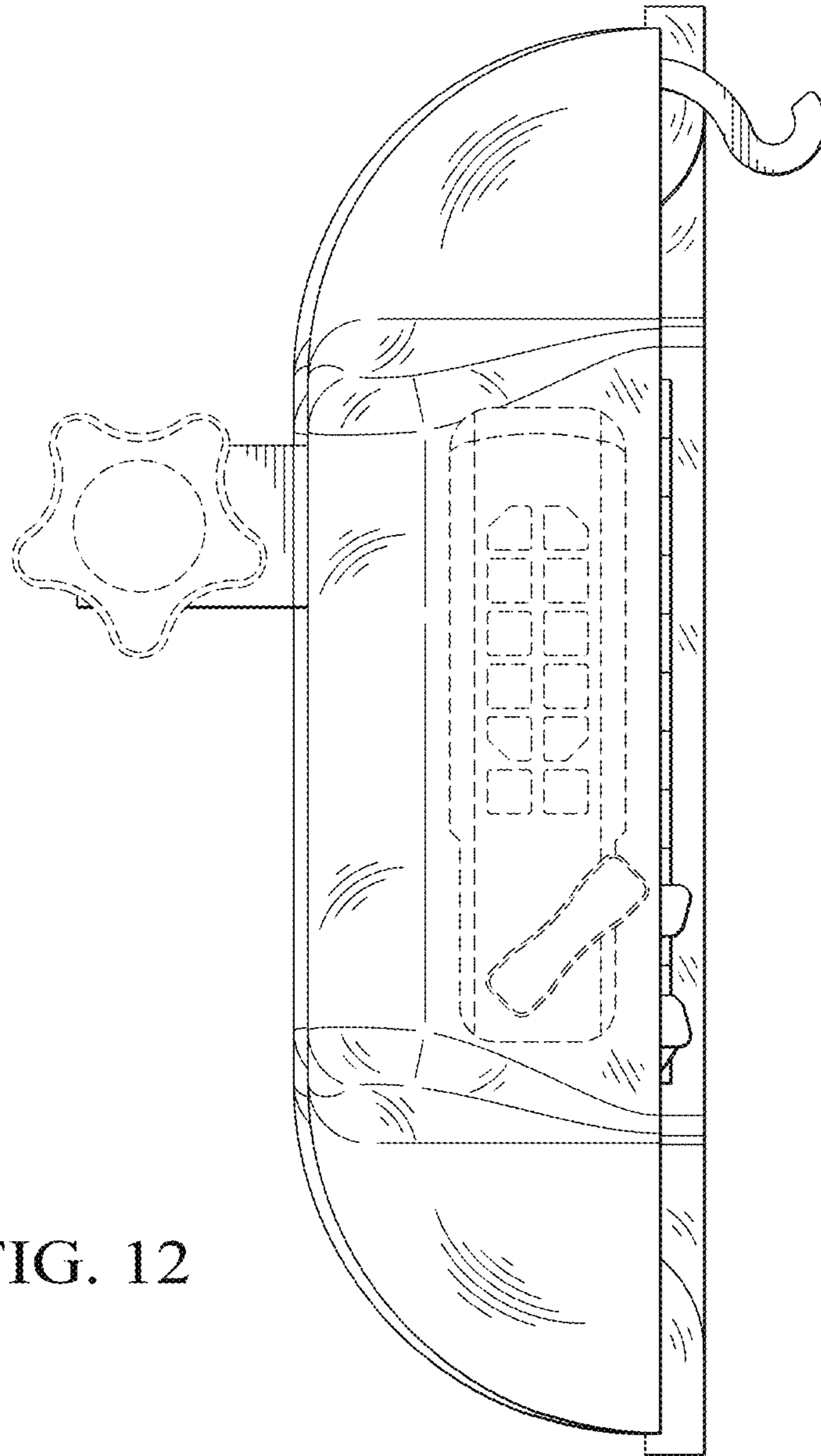


FIG. 12

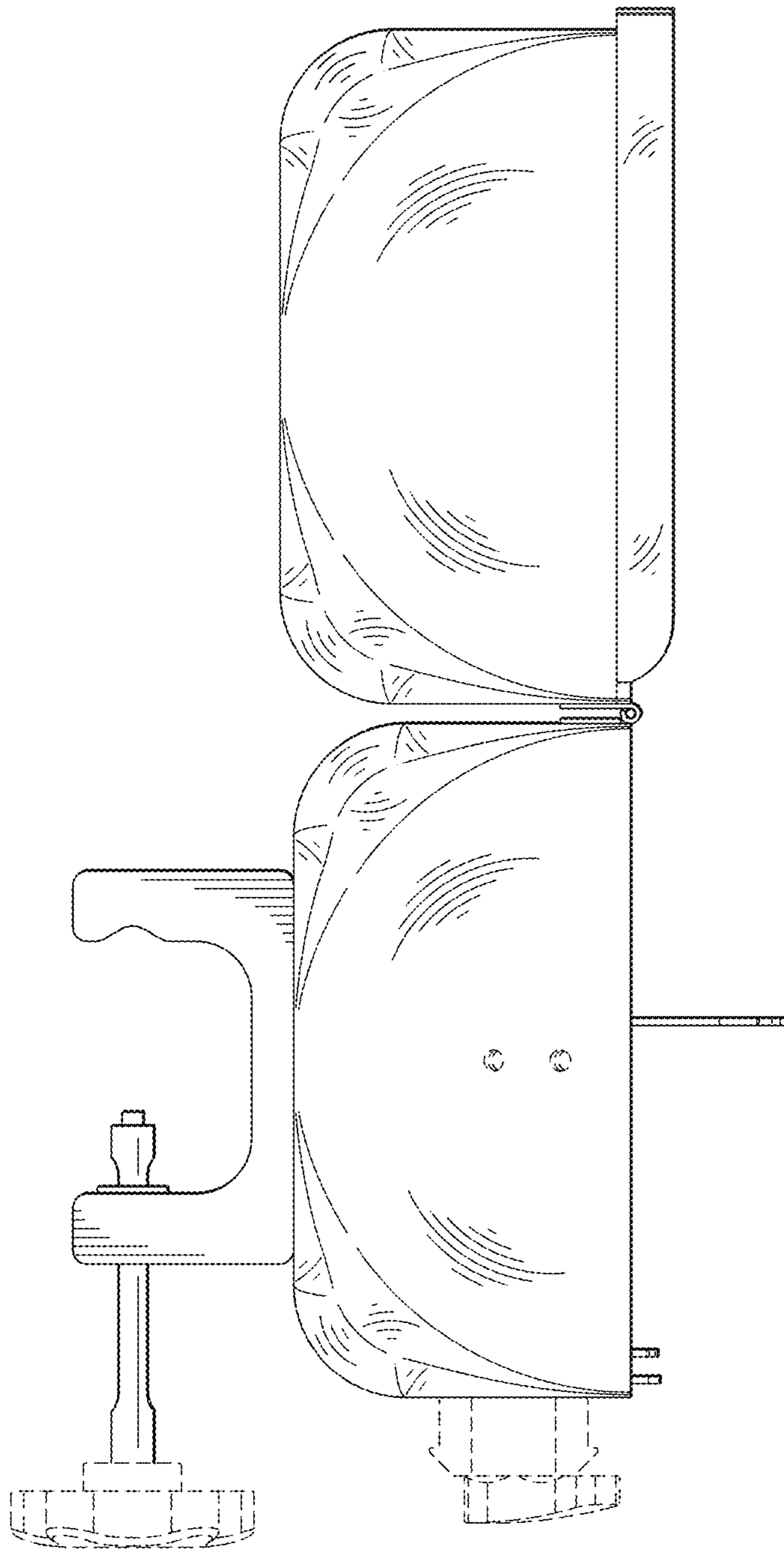


FIG. 13

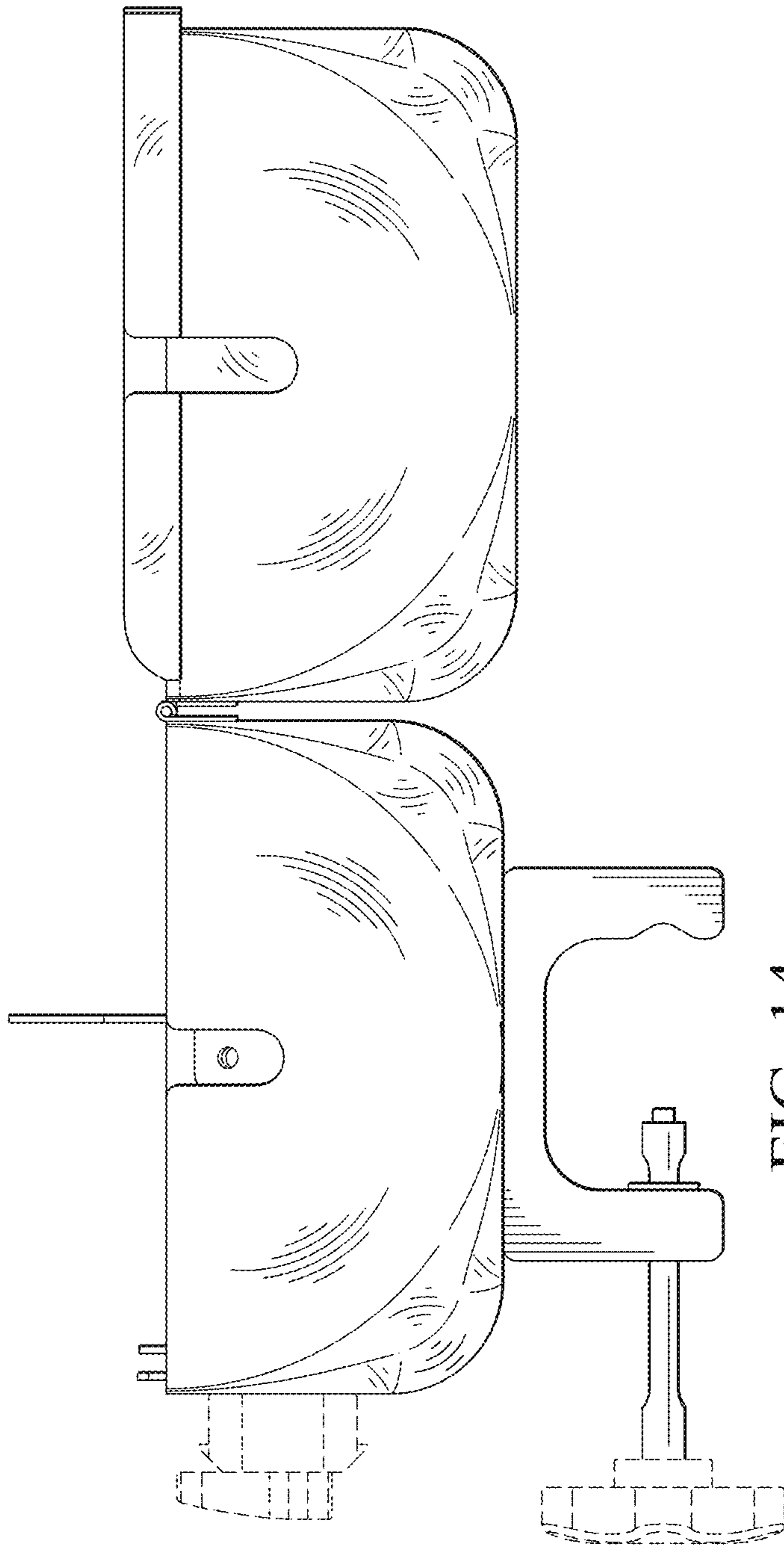


FIG. 14