



US00D832428S

(12) **United States Design Patent**
Kyvik

(10) **Patent No.:** **US D832,428 S**
(45) **Date of Patent:** **** Oct. 30, 2018**

(54) **WINGED CVC, ARTERIAL SHEATH AND
PICC SECUREMENT DEVICE**

Primary Examiner — David G Muller
(74) *Attorney, Agent, or Firm* — Thomas C. Saitta

(71) Applicant: **Kurt T. Kyvik**, Satellite Beach, FL
(US)

(72) Inventor: **Kurt T. Kyvik**, Satellite Beach, FL
(US)

(73) Assignee: **KT KYVIK, LLC**, Satellite Beach, FL
(US)

(**) Term: **15 Years**

(21) Appl. No.: **29/609,459**

(22) Filed: **Jun. 30, 2017**

(51) **LOC (11) Cl.** **24-02**

(52) **U.S. Cl.**
USPC **D24/128**

(58) **Field of Classification Search**
USPC D24/127–131, 112–114, 133, 186;
606/181, 185; 604/264, 523–528, 272,
604/187, 158, 164.01–164.11, 181, 184,
604/227; 600/101, 139, 143;
128/200.24, 207.14, 207.15
CPC .. A61M 25/065; A61M 5/42; A61M 25/0612;
A61M 25/00; A61M 39/00; A61M 27/00;
A61M 25/0043; A61M 25/0067; A61M
25/0097; A61F 2/958

See application file for complete search history.

(56) **References Cited**

U.S. PATENT DOCUMENTS

D290,041 S *	5/1987	Scott	D24/128
4,758,229 A *	7/1988	Doerschner	A61M 5/3216
				206/365
D425,619 S *	5/2000	Bierman	D24/128
6,663,604 B1 *	12/2003	Huet	A61M 5/3275
				604/263
D608,887 S	1/2010	Kyvik et al.		
D616,091 S	5/2010	Kyvik et al.		

(Continued)

(57) **CLAIM**

The ornamental design for a winged CVC, arterial sheath and PICC securement device, as shown and described.

DESCRIPTION

FIG. 1 is a perspective view of the winged CVC, arterial sheath and PICC securement device, shown with release layers partially opened.

FIG. 2 is a top view of the device with the release layers shown in the closed position.

FIG. 3 is a bottom view of the device with the release layers shown in the closed position.

FIG. 4 is a front view of the device with the release layers shown in the closed position.

FIG. 5 is a rear view of the device with the release layers shown in the closed position.

FIG. 6 is a left side view of the device with the release layers shown in the closed position.

FIG. 7 is a right side view of the device with the release layers shown in the closed position.

FIG. 8 is a top view of the device with the release layers removed.

FIG. 9 is a bottom view of the device with the release layers removed and showing an exposed transparent layer.

FIG. 10 is a front view of the device with the release layers removed.

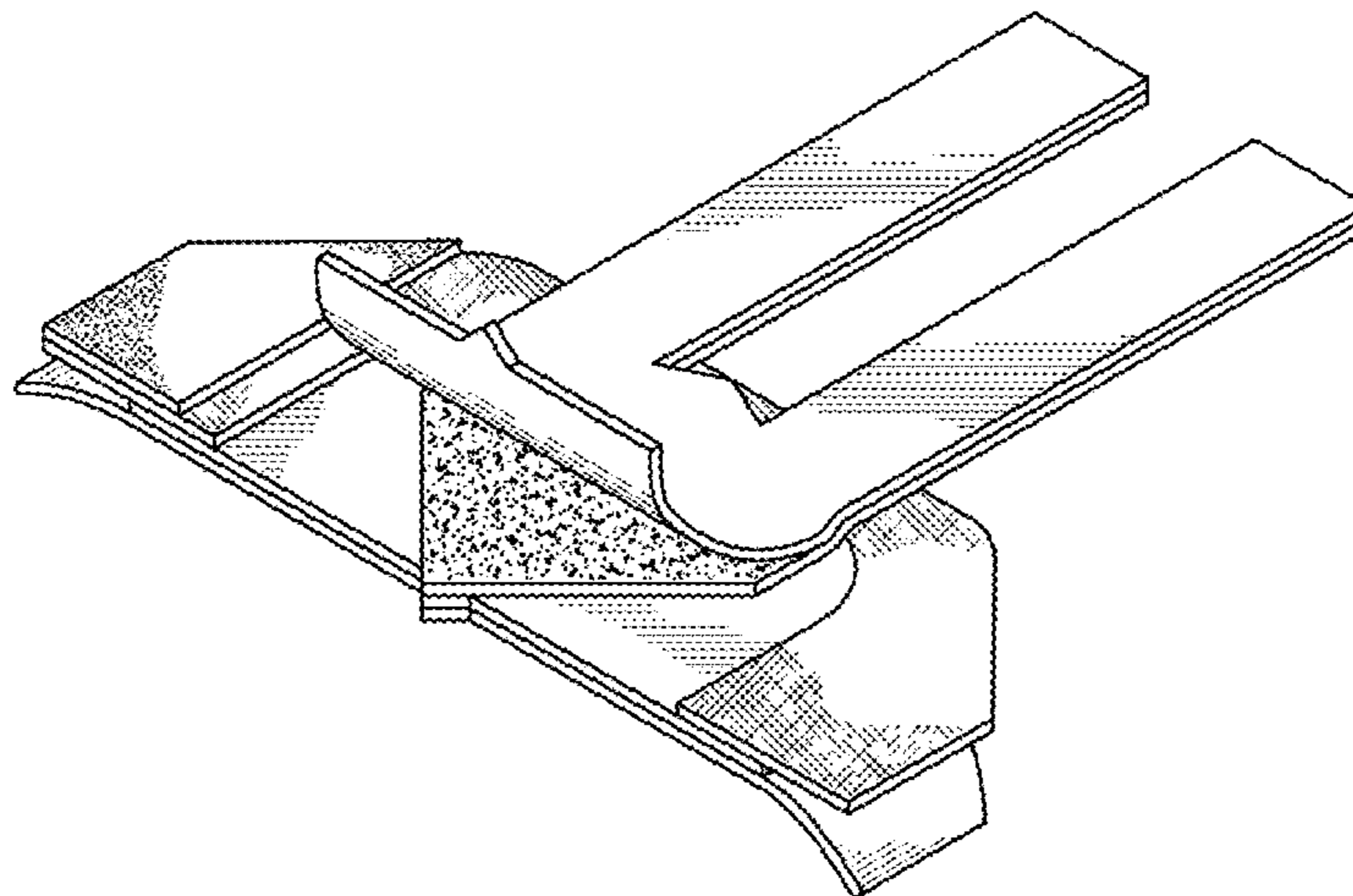
FIG. 11 is a rear view of the device with the release layers removed.

FIG. 12 is a left side view of the device with the release layers removed.

FIG. 13 is a right side view of the device with the release layers removed; and,

FIG. 14 is a top view of the device with the release layers removed, shown in the folded position.

1 Claim, 6 Drawing Sheets



(56)

References Cited

U.S. PATENT DOCUMENTS

D616,542 S *	5/2010	Kyvik	D24/128
D616,983 S	6/2010	Kyvik et al.	
D625,002 S	10/2010	Kyvik et al.	
D663,021 S *	7/2012	Wilborn	D24/128
D717,946 S *	11/2014	Kyvik	D24/128
D755,962 S *	5/2016	Adams	D24/128
D780,914 S *	3/2017	Kyvik	D24/130
D789,527 S *	6/2017	Kyvik	D24/128
D797,280 S *	9/2017	Kyvik	D24/128
D824,514 S *	7/2018	Kyvik	D24/128
D824,515 S *	7/2018	Kyvik	D24/128

* cited by examiner

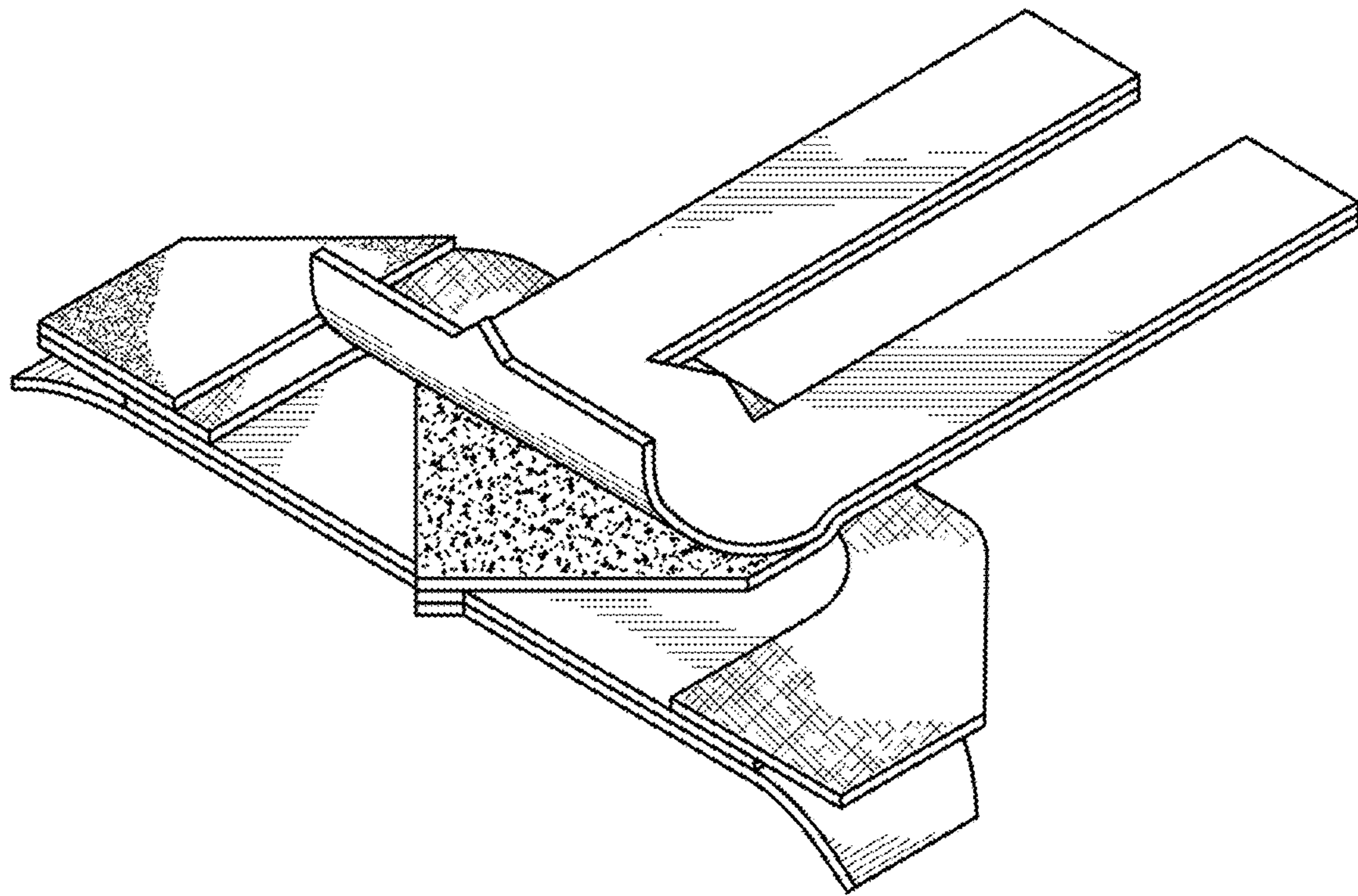


Fig. 1

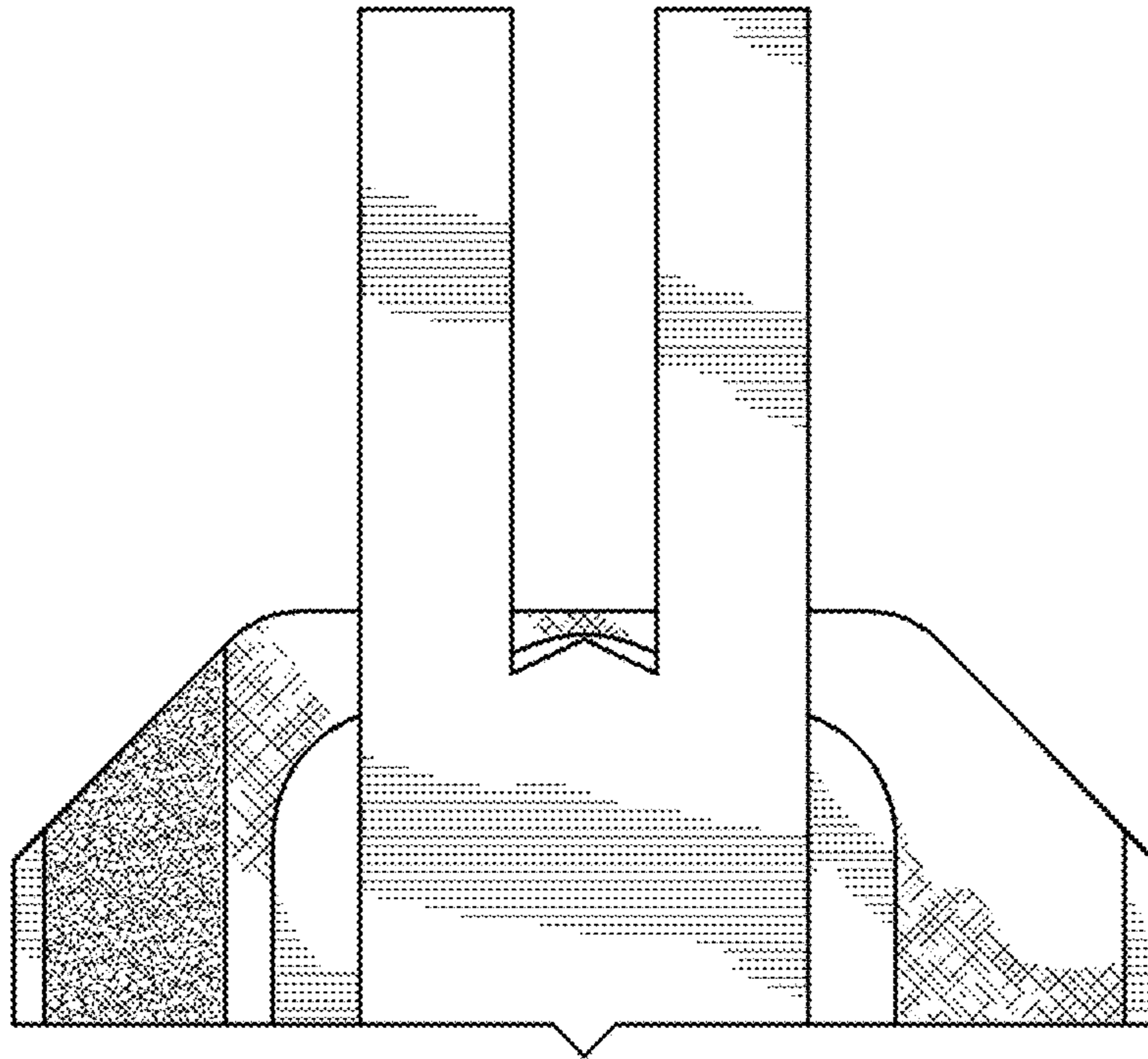


Fig. 2

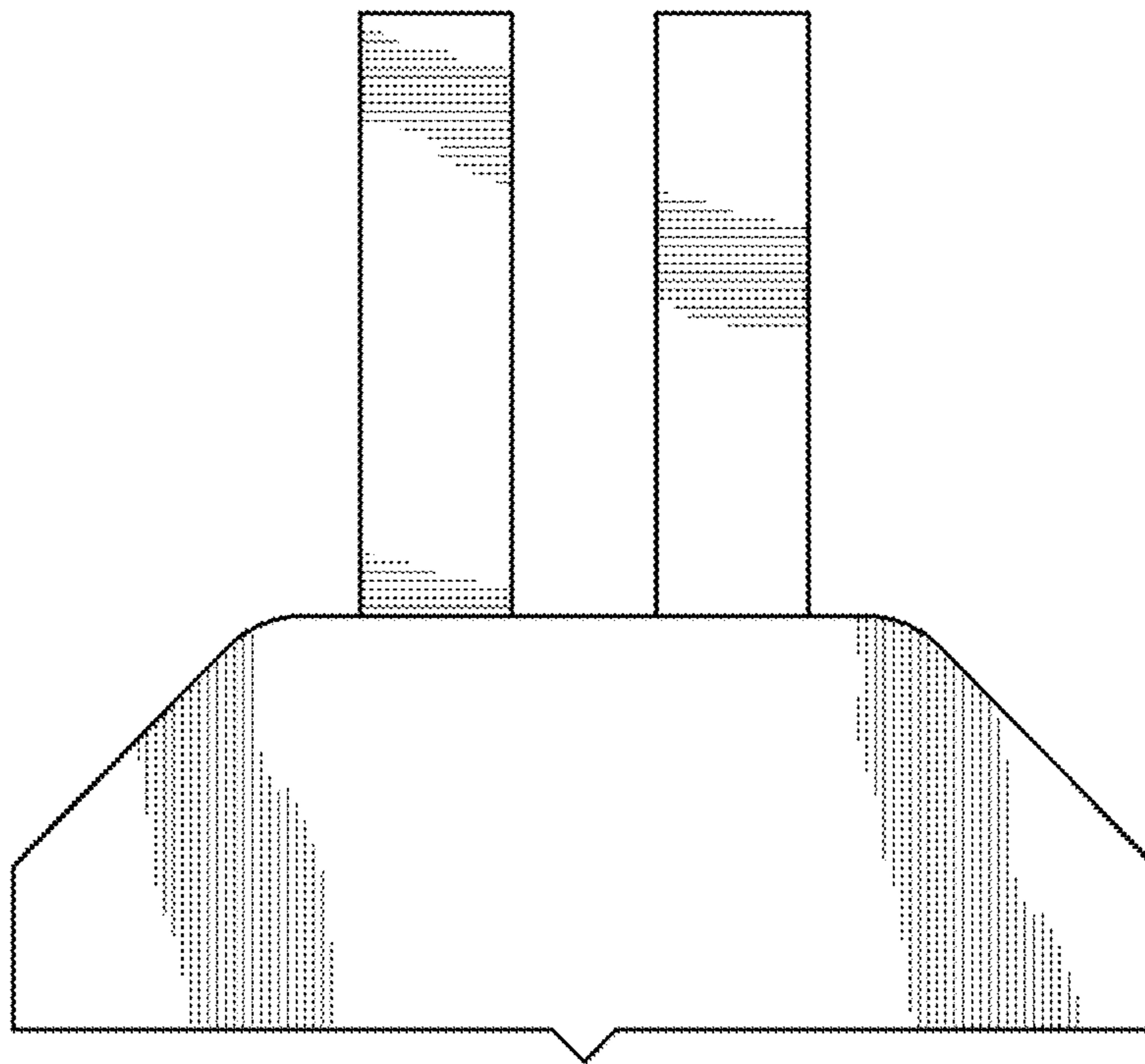


Fig. 3



Fig. 4



Fig. 5

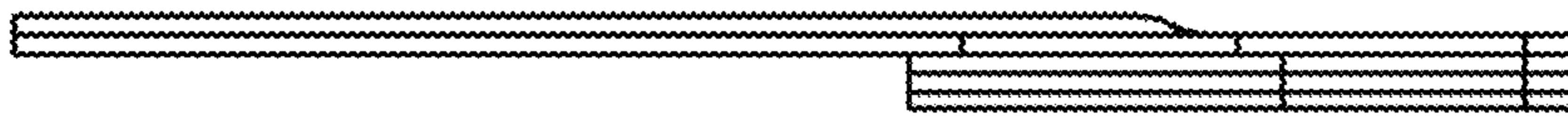


Fig. 6



Fig. 7

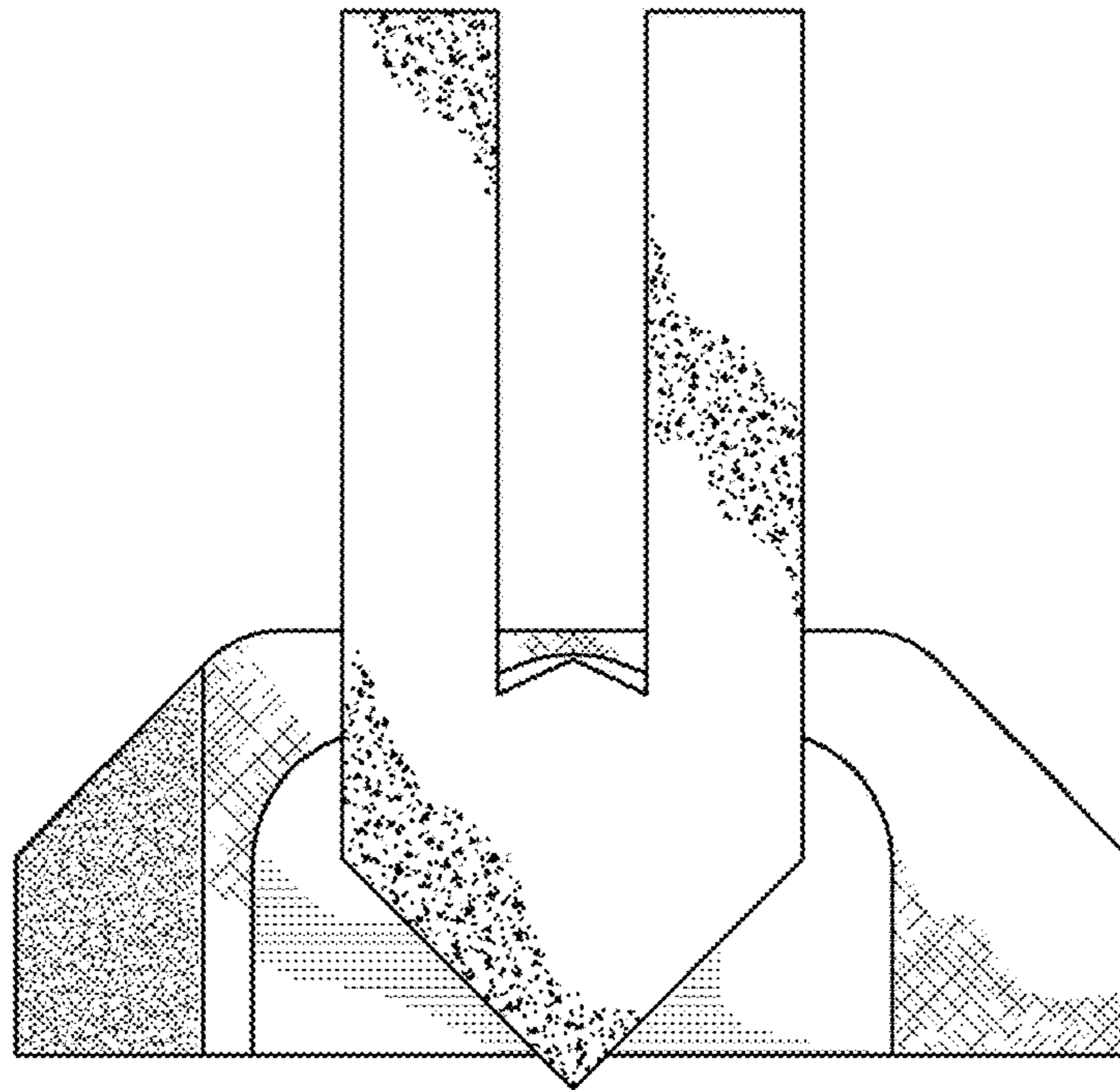


Fig. 8

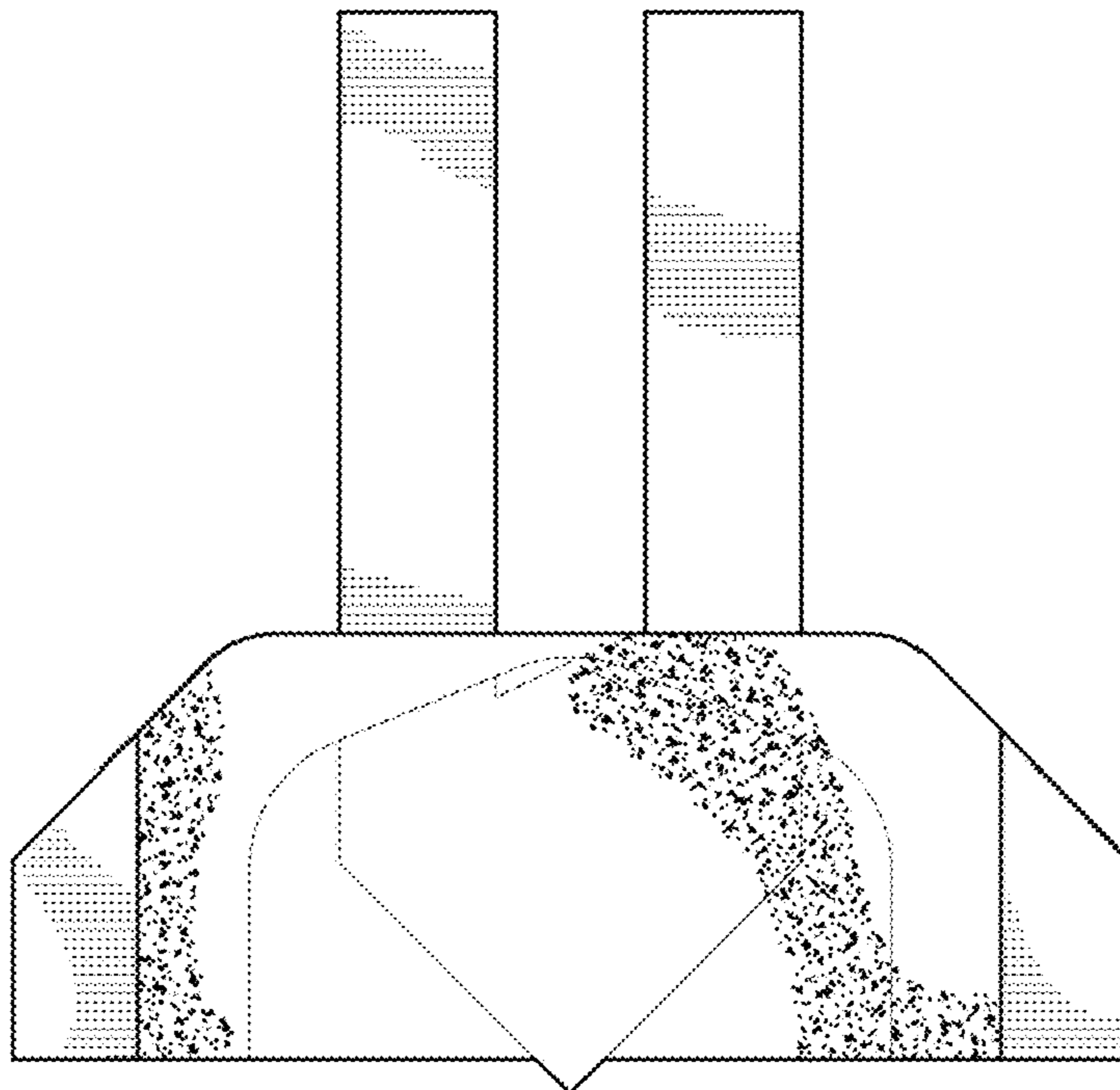


Fig. 9

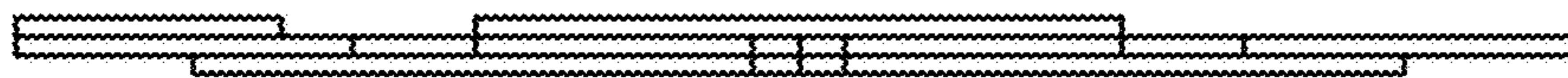


Fig. 10

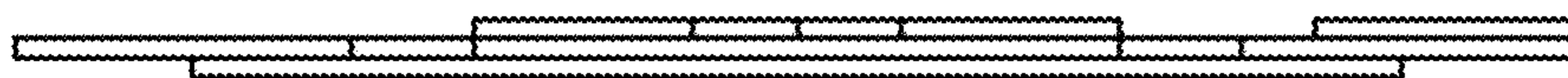


Fig. 11

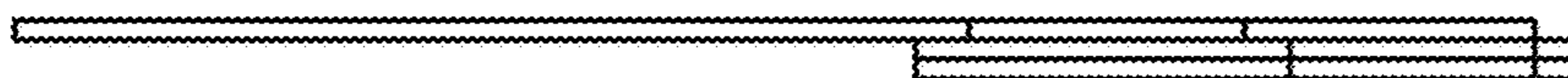


Fig. 12



Fig. 13

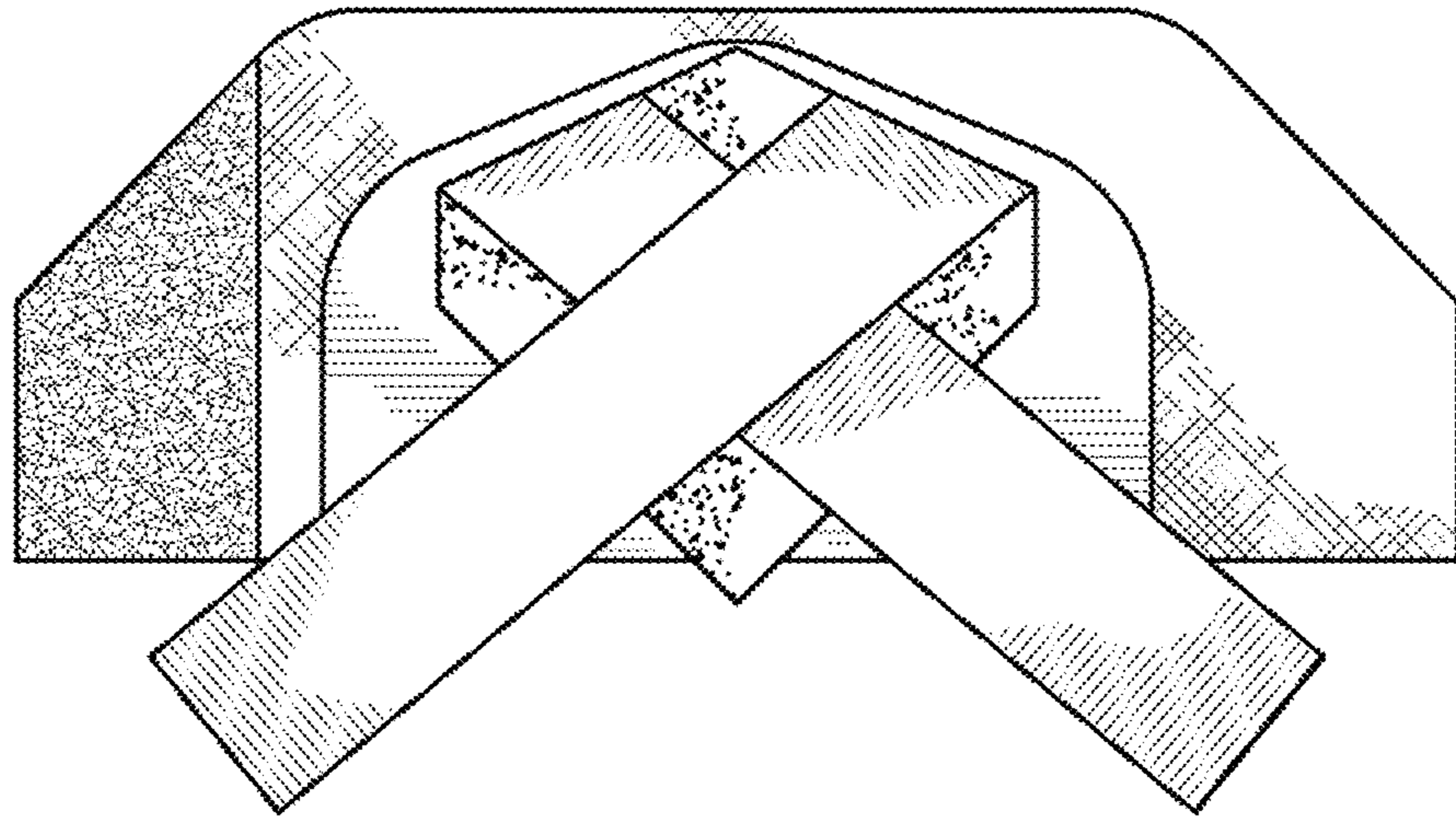


Fig. 14