



US00D832425S

(12) **United States Design Patent** (10) **Patent No.:** **US D832,425 S**  
**Adams, III** (45) **Date of Patent:** **\*\* Oct. 30, 2018**

(54) **URINAL**

(71) Applicant: **GMAX Industries, Inc.**, Hauppauge, NY (US)

(72) Inventor: **Adam Edward Adams, III**, Naperville, IL (US)

(73) Assignee: **GMAX Industries, Inc.**, Hauppauge, NY (US)

(\*\*) Term: **15 Years**

(21) Appl. No.: **29/584,669**

(22) Filed: **Nov. 16, 2016**

(51) **LOC (11) Cl.** ..... **24-04**

(52) **U.S. Cl.**  
USPC ..... **D24/122**

(58) **Field of Classification Search**  
USPC ..... D24/121-123, 117, 224; D23/276, 295, D23/302, 274, 309, 200; 4/450-460, 4/144.1-144.4, DIG. 5; 600/573, 574; 604/329, 317, 318, 334  
CPC ..... A61G 9/00; A61G 9/006; A61G 9/003  
See application file for complete search history.

(56) **References Cited**

U.S. PATENT DOCUMENTS

- D297,462 S \* 8/1988 Meunchen ..... D24/122
- D304,373 S \* 10/1989 Floyd ..... D24/122
- D348,315 S \* 6/1994 Hanifl ..... D24/117
- D360,943 S \* 8/1995 Lafond ..... D24/122
- D371,842 S \* 7/1996 Pilsworth ..... D24/122
- D389,240 S \* 1/1998 Corona ..... D24/121
- D390,657 S \* 2/1998 Asta ..... D23/302
- D399,308 S \* 10/1998 Garlock ..... D24/122
- 6,021,530 A \* 2/2000 Davis ..... A61G 9/006  
4/144.1
- D439,970 S \* 4/2001 Fisher ..... D24/121

- D578,211 S \* 10/2008 Maze ..... D24/122
- D685,465 S \* 7/2013 Reda ..... D24/122
- 2017/0312157 A1\* 11/2017 Solazzo ..... A61G 9/006

\* cited by examiner

*Primary Examiner* — David G Muller

(74) *Attorney, Agent, or Firm* — Vinson & Elkins LLP

(57) **CLAIM**

I claim the ornamental design for a urinal, as shown and described.

**DESCRIPTION**

FIG. 1 is a rear view of my urinal design with the lid attached in an assembled state.

FIG. 2 is a bottom perspective view of my urinal design with the lid attached in an assembled state.

FIG. 3 is a rear view of my urinal design with the lid detached.

FIG. 4 is a top view of my urinal design.

FIG. 5 is a left side view my urinal design.

FIG. 6 is a rear view my urinal design.

FIG. 7 is a right side view my urinal design.

FIG. 8 is a rear view my urinal design.

FIG. 9 is top front perspective view of my urinal design.

FIG. 10 is a top rear perspective view of my urinal design.

FIG. 11 is a bottom view of my urinal design.

FIG. 12 is an alternative perspective view of my urinal design.

FIG. 13 is a top view of the lid of my urinal design.

FIG. 14 is a side view of the lid of my urinal design.

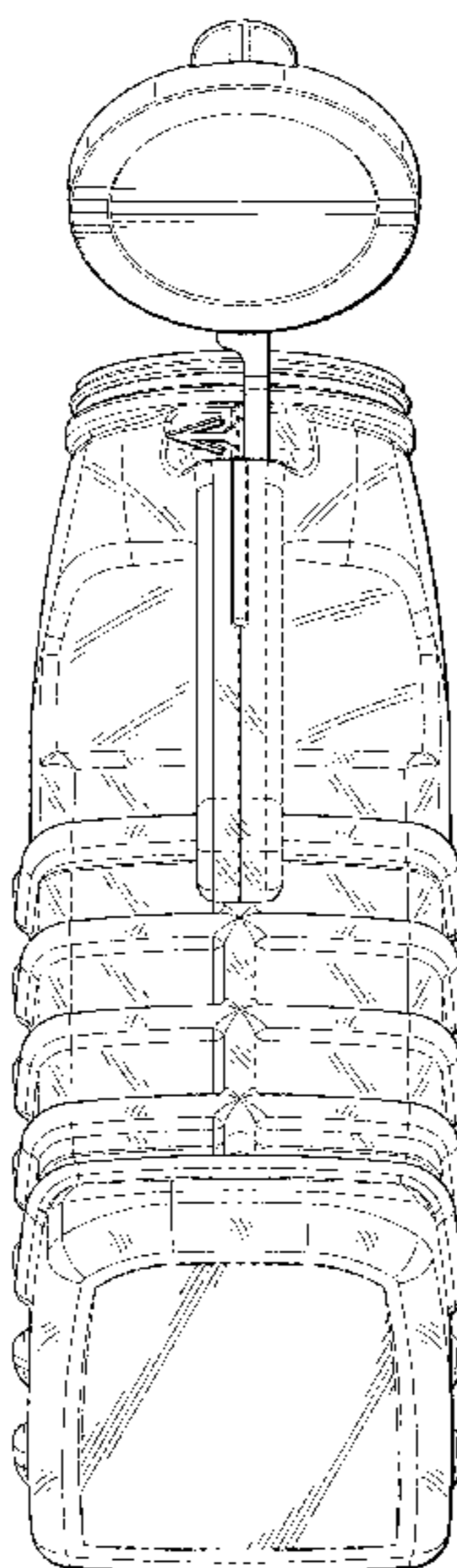
FIG. 15 is a bottom view of the lid of my urinal design.

FIG. 16 is a bottom perspective view of the lid of my urinal design; and,

FIG. 17 is an alternative bottom perspective view of the lid of my urinal design.

Broken lines in the figures indicate boundaries that form no part of the claimed design.

**1 Claim, 17 Drawing Sheets**



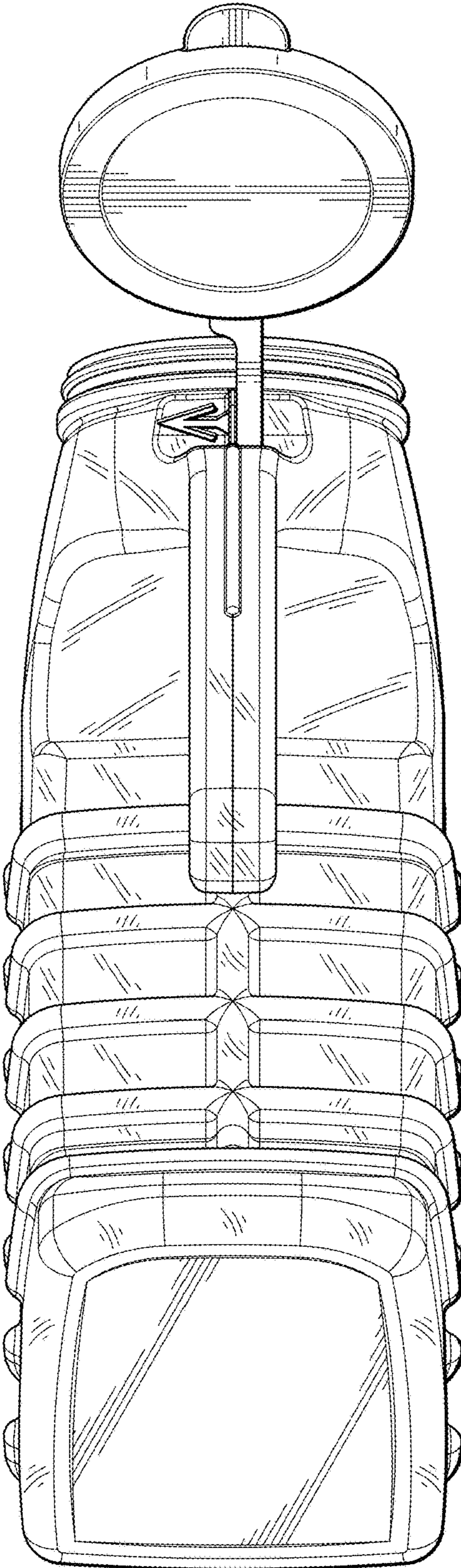


FIG. 1

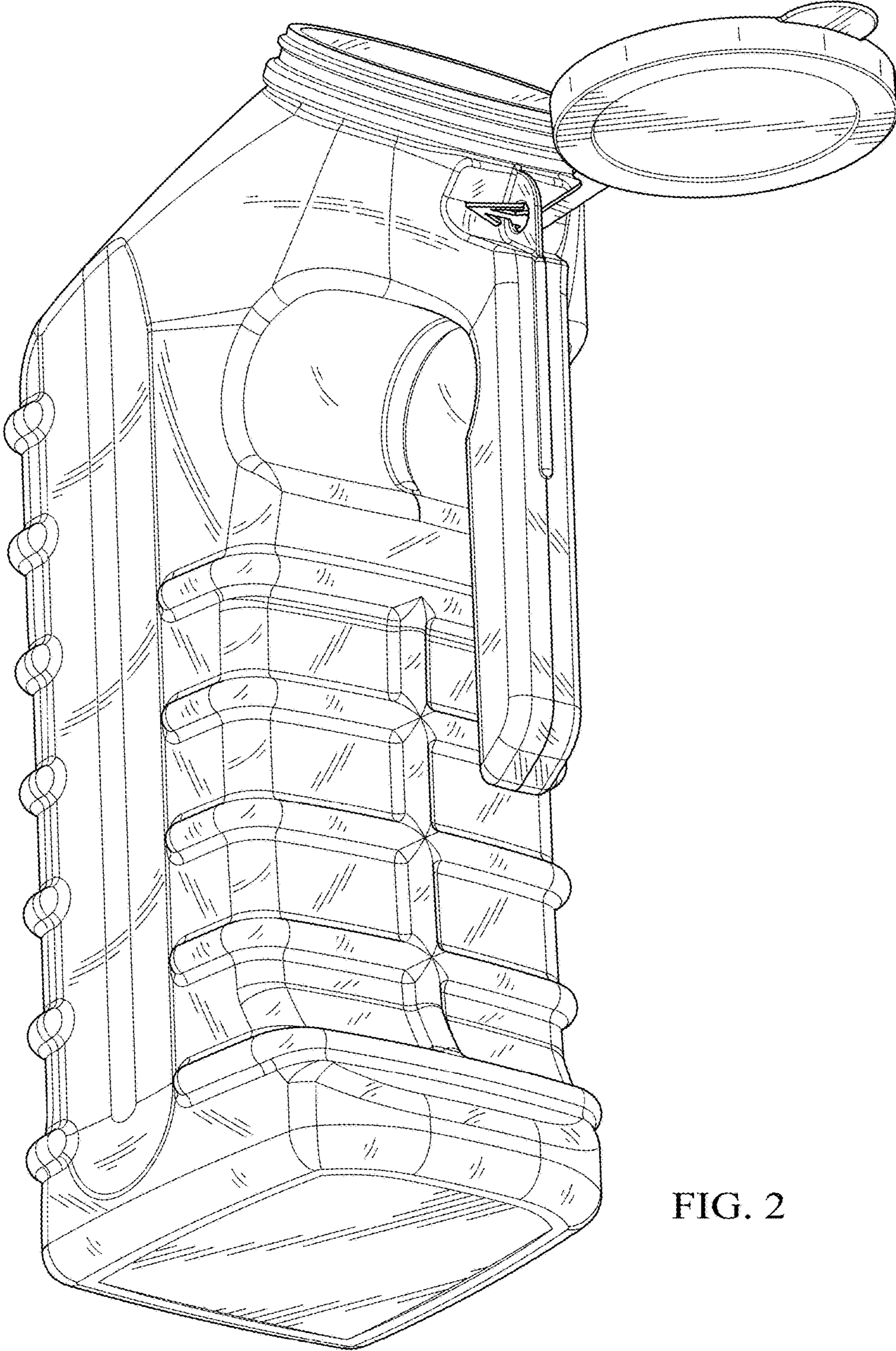


FIG. 2

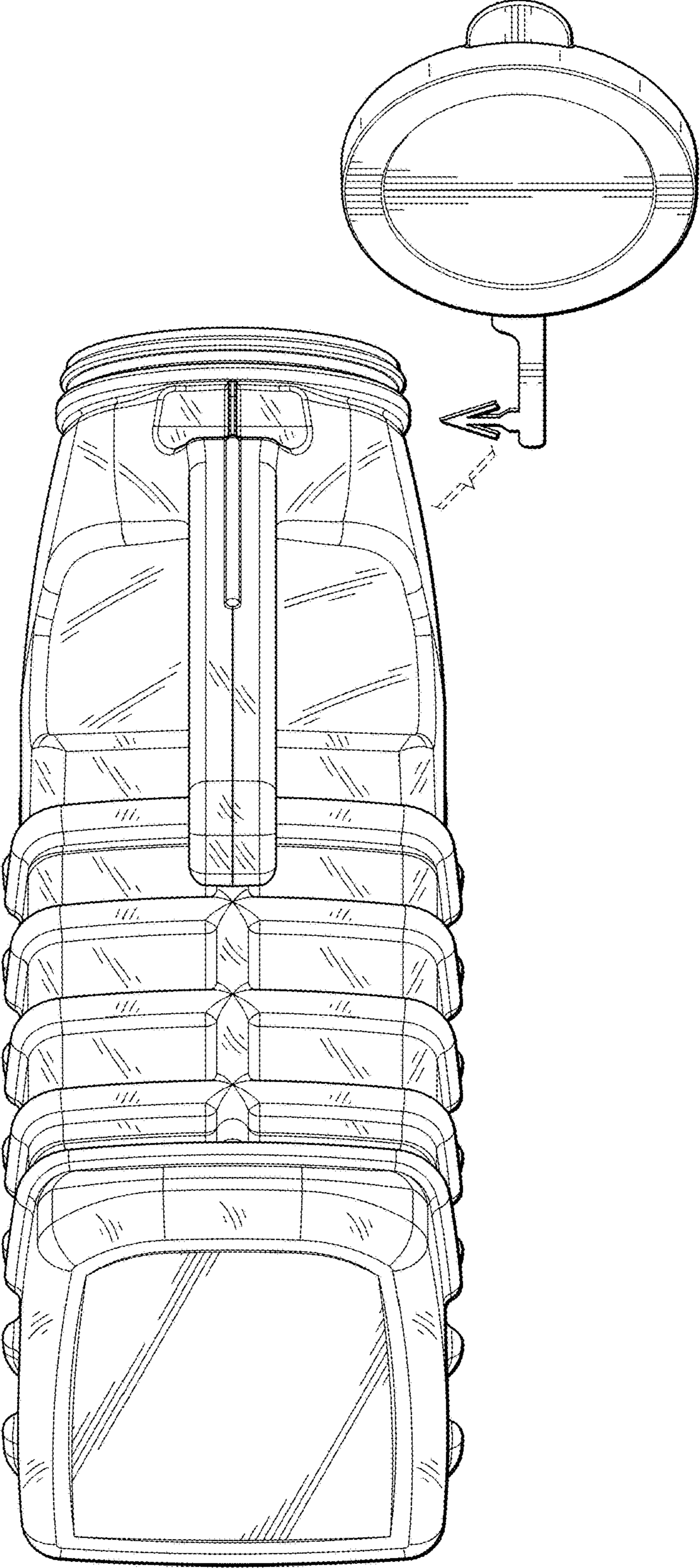


FIG. 3

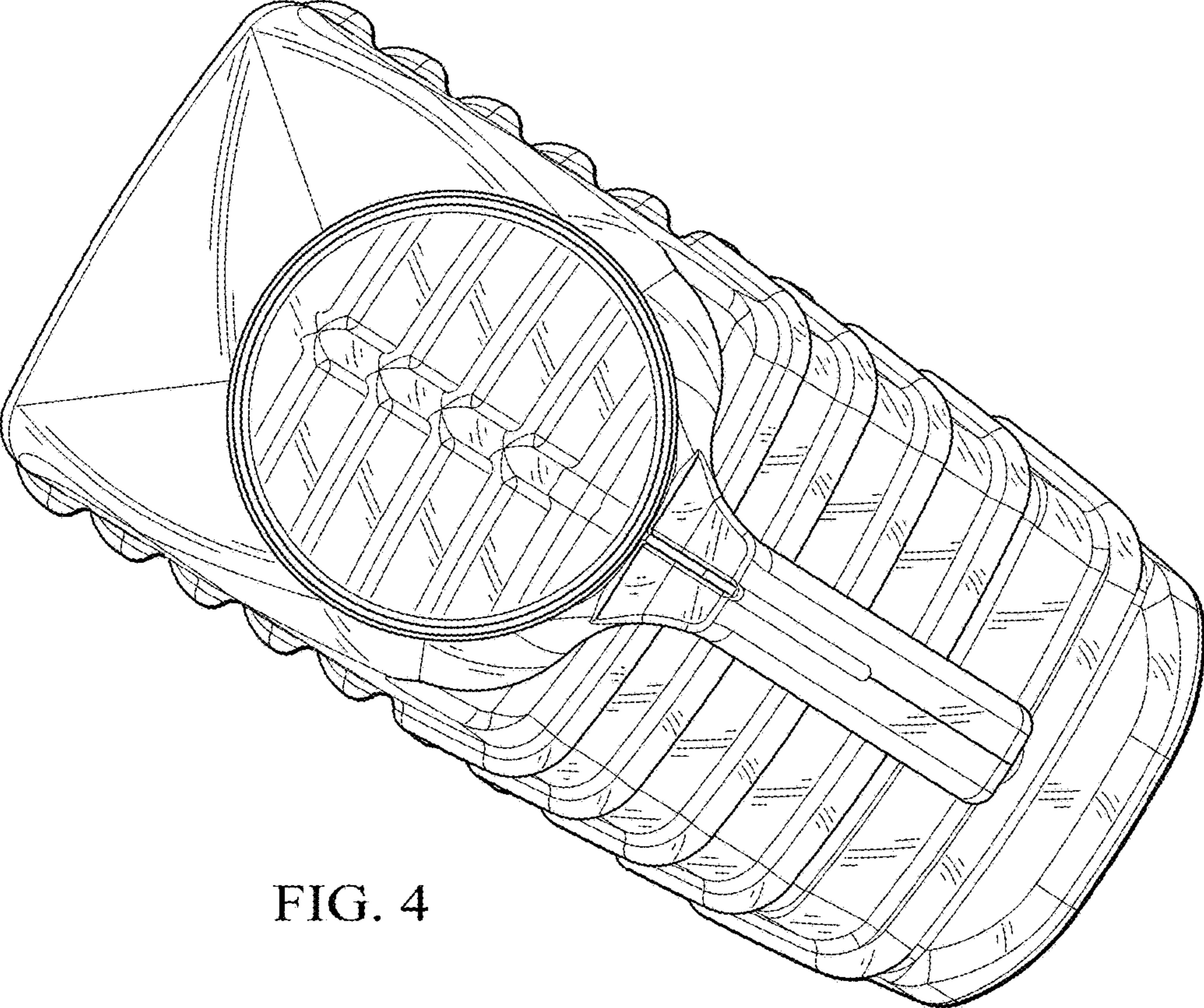


FIG. 4

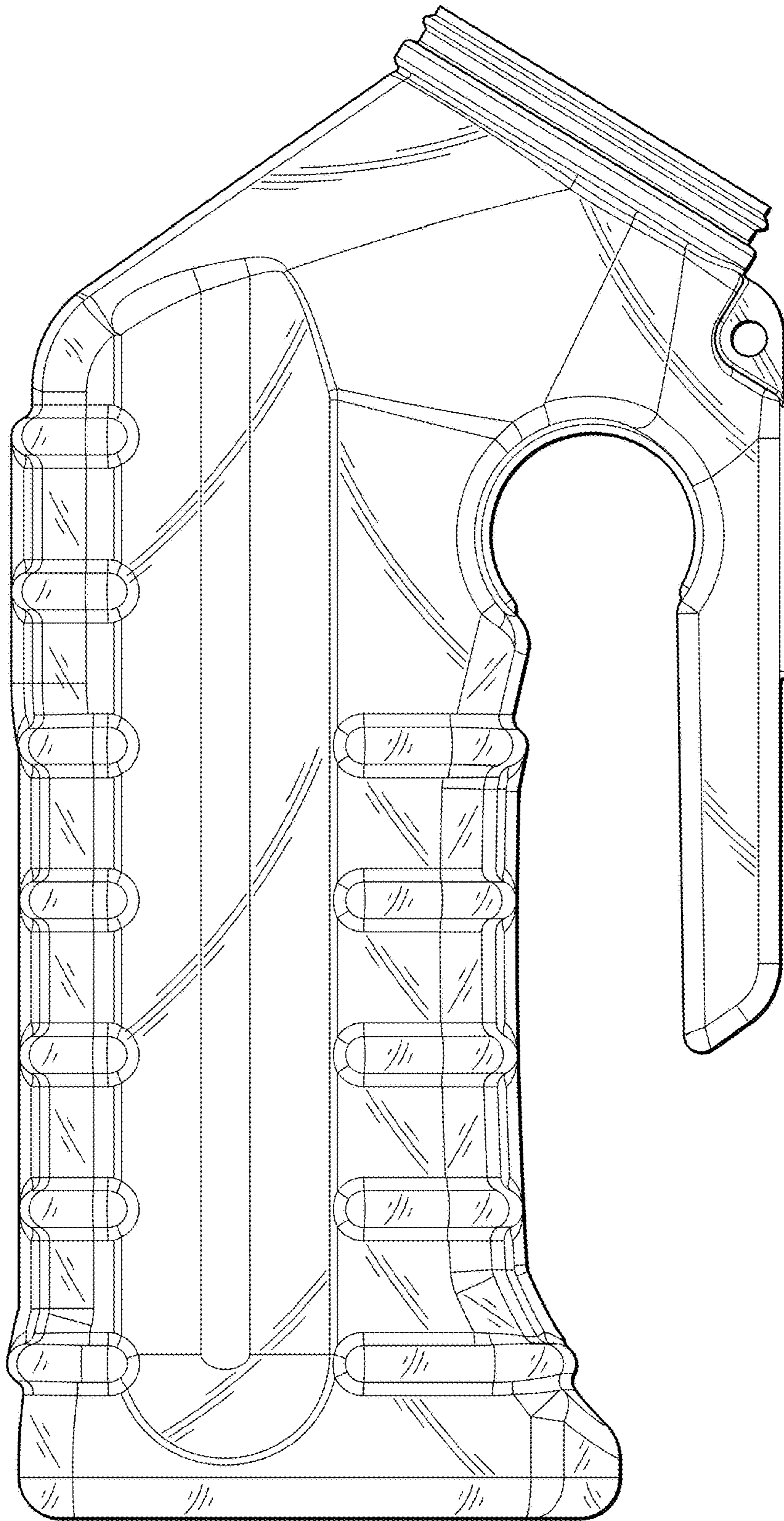


FIG. 5

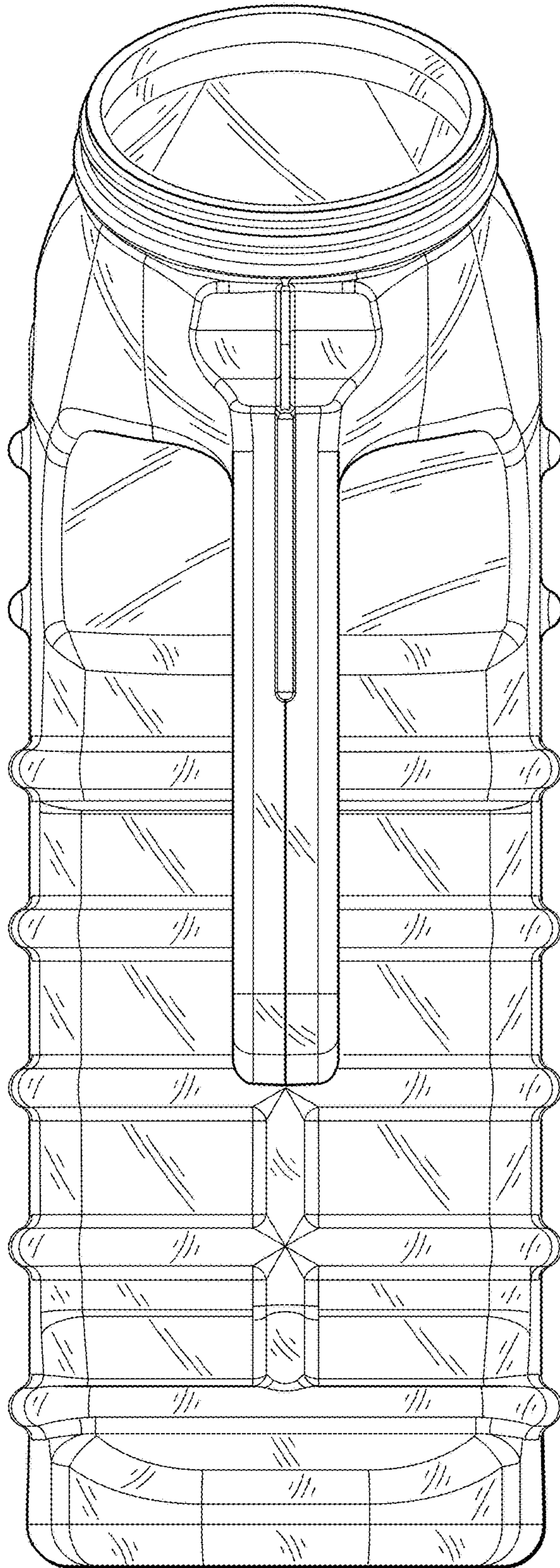


FIG. 6

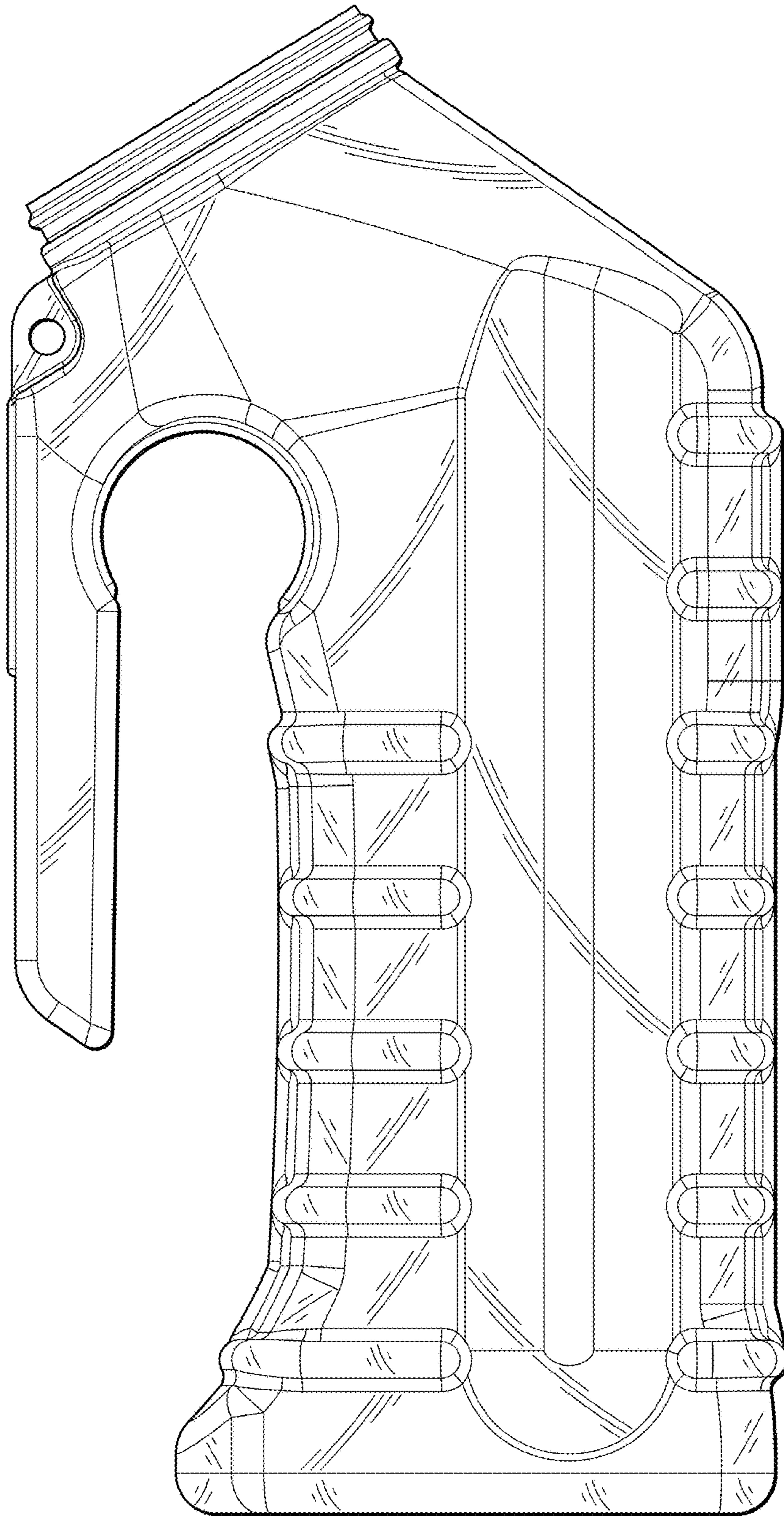


FIG. 7



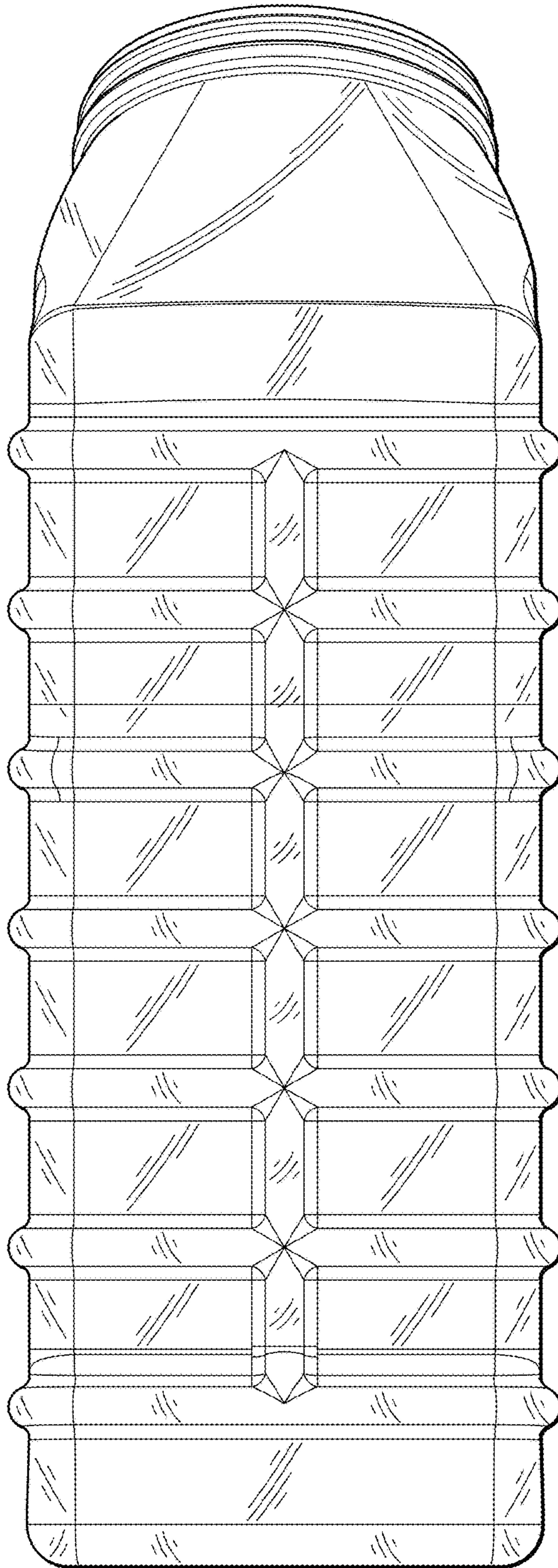


FIG. 8

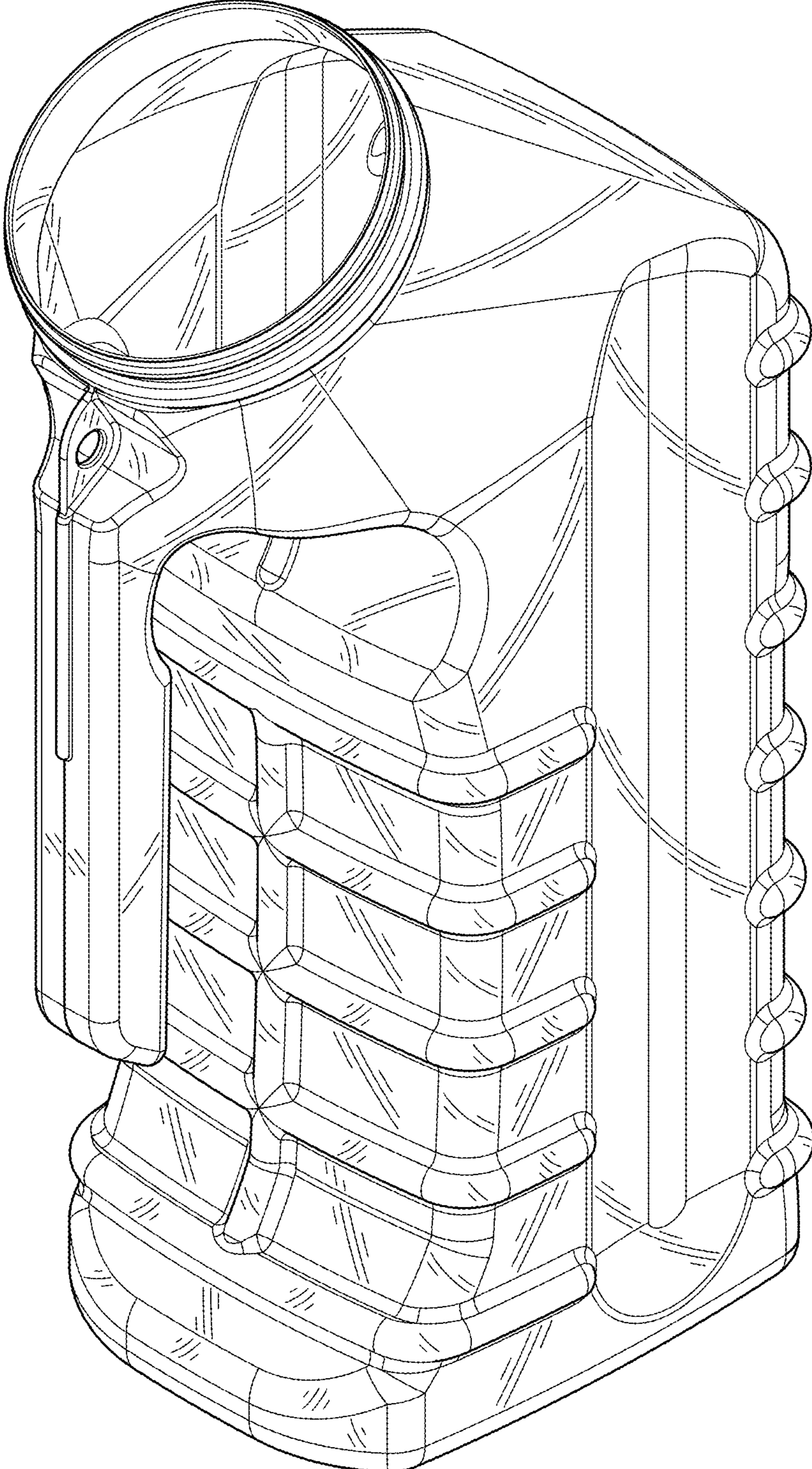


FIG. 9

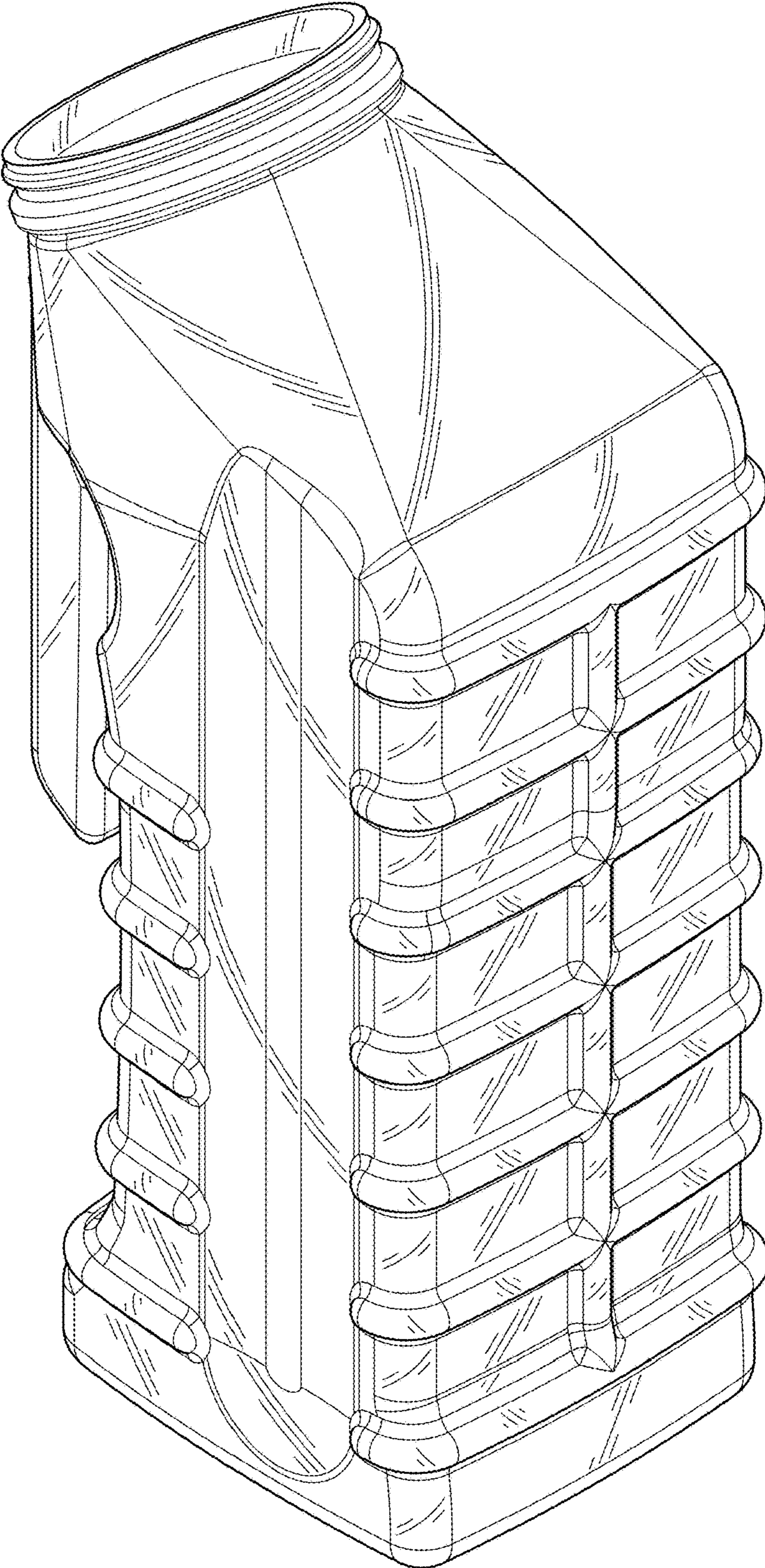


FIG. 10

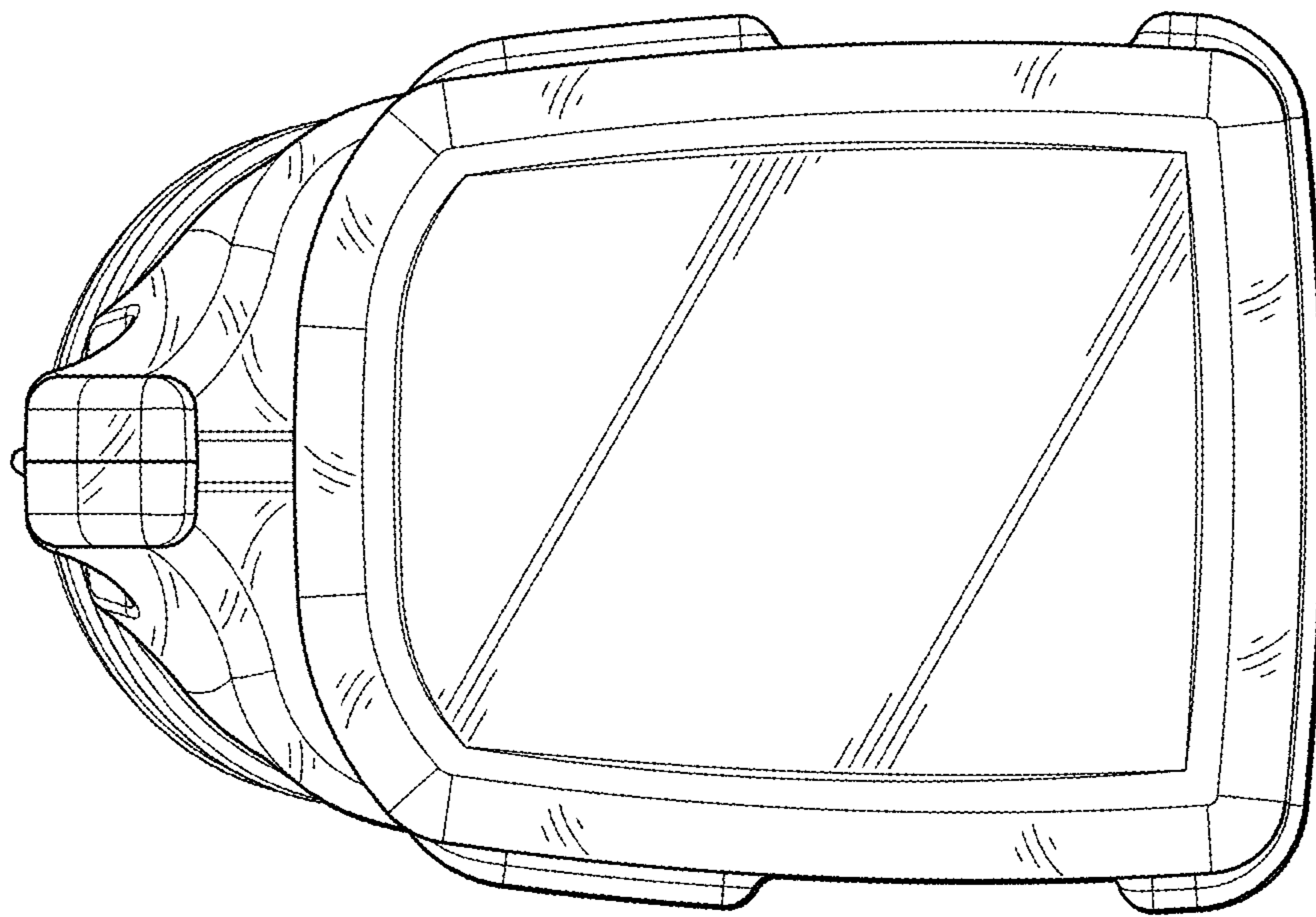


FIG. 11

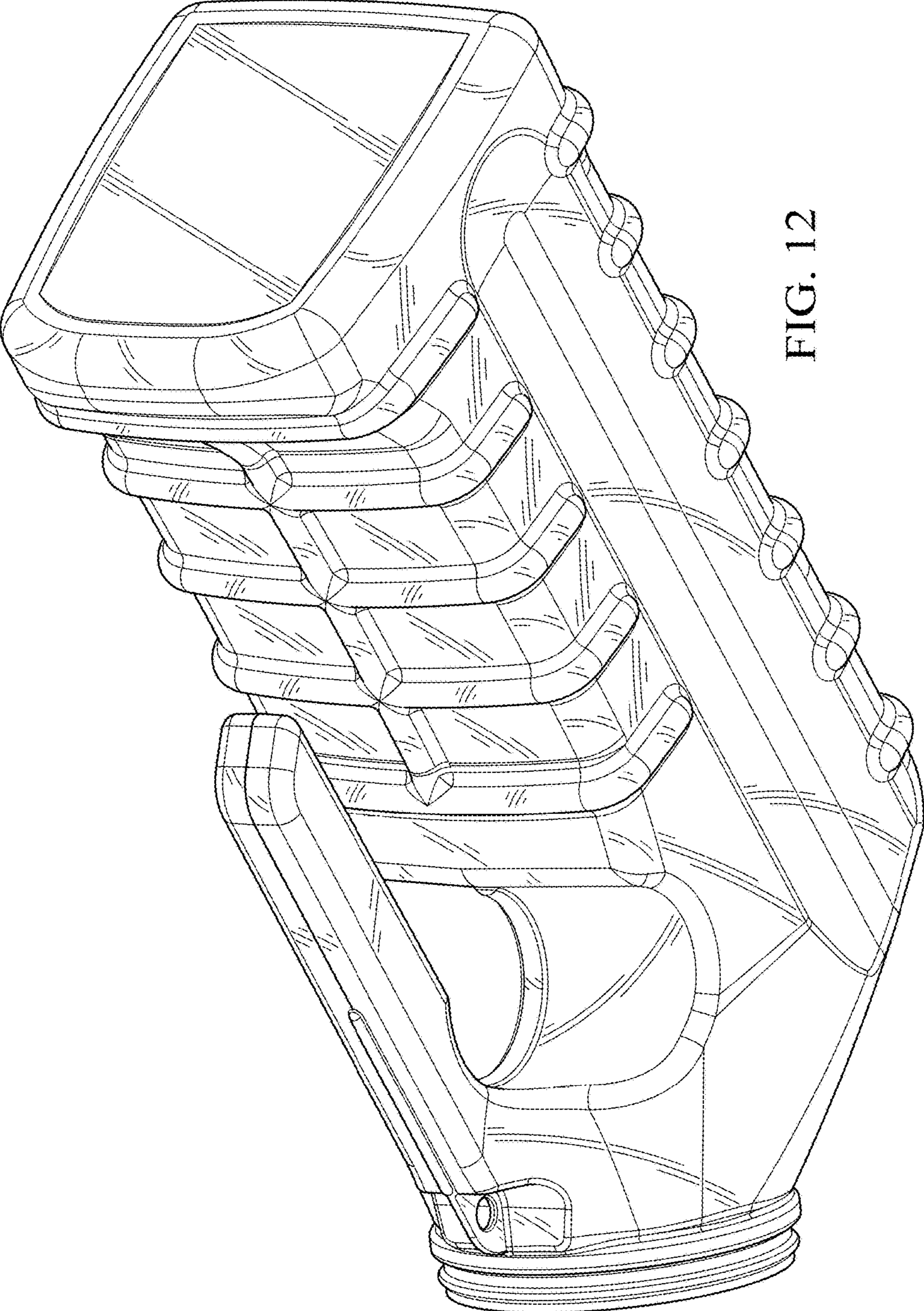


FIG. 12

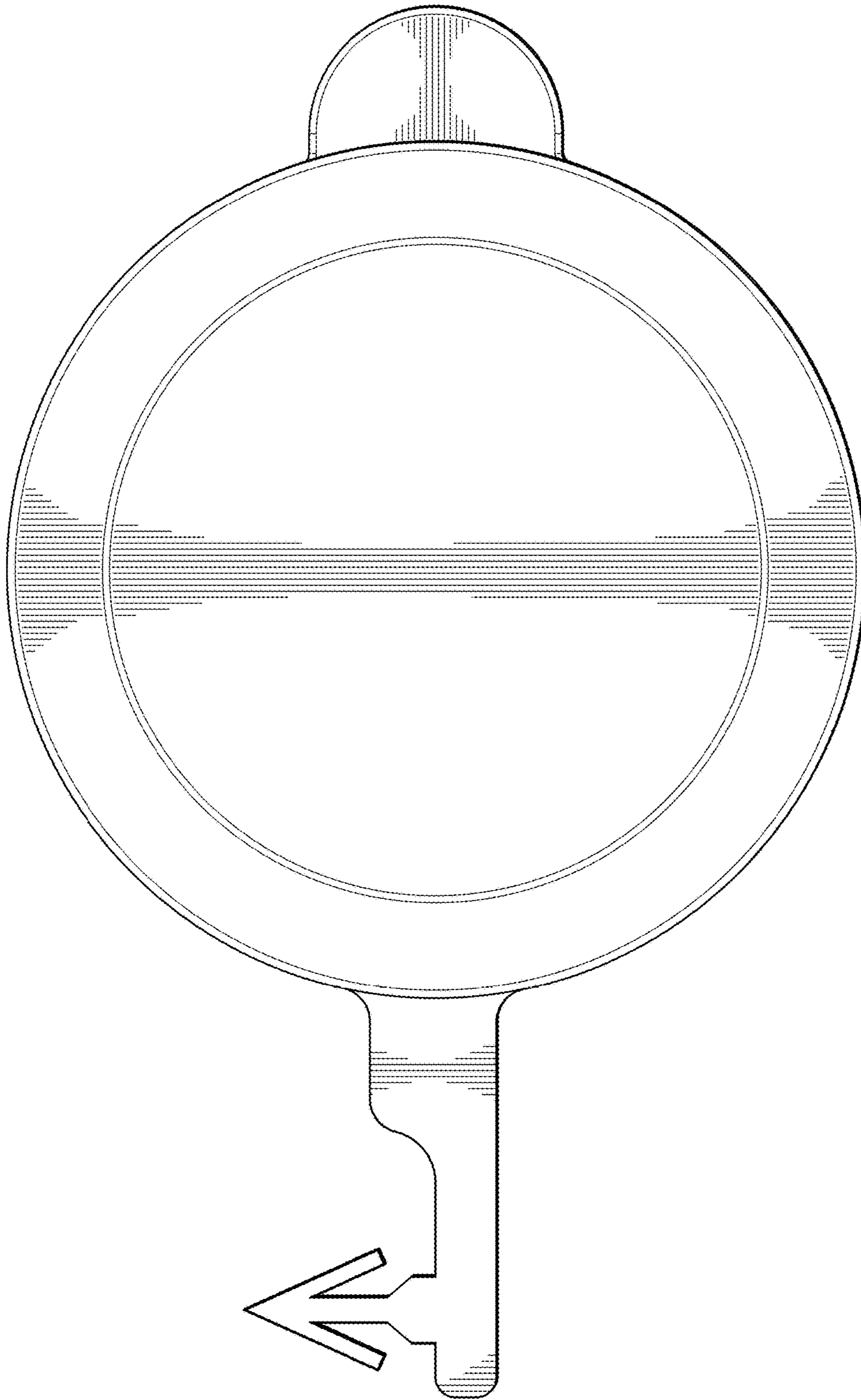


FIG. 13

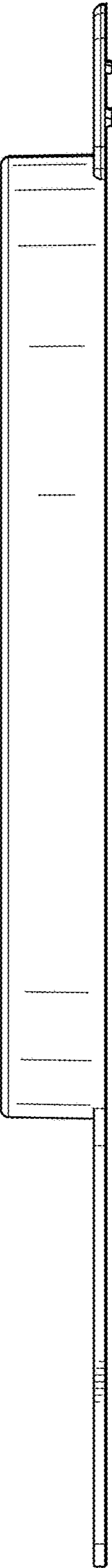


FIG. 14

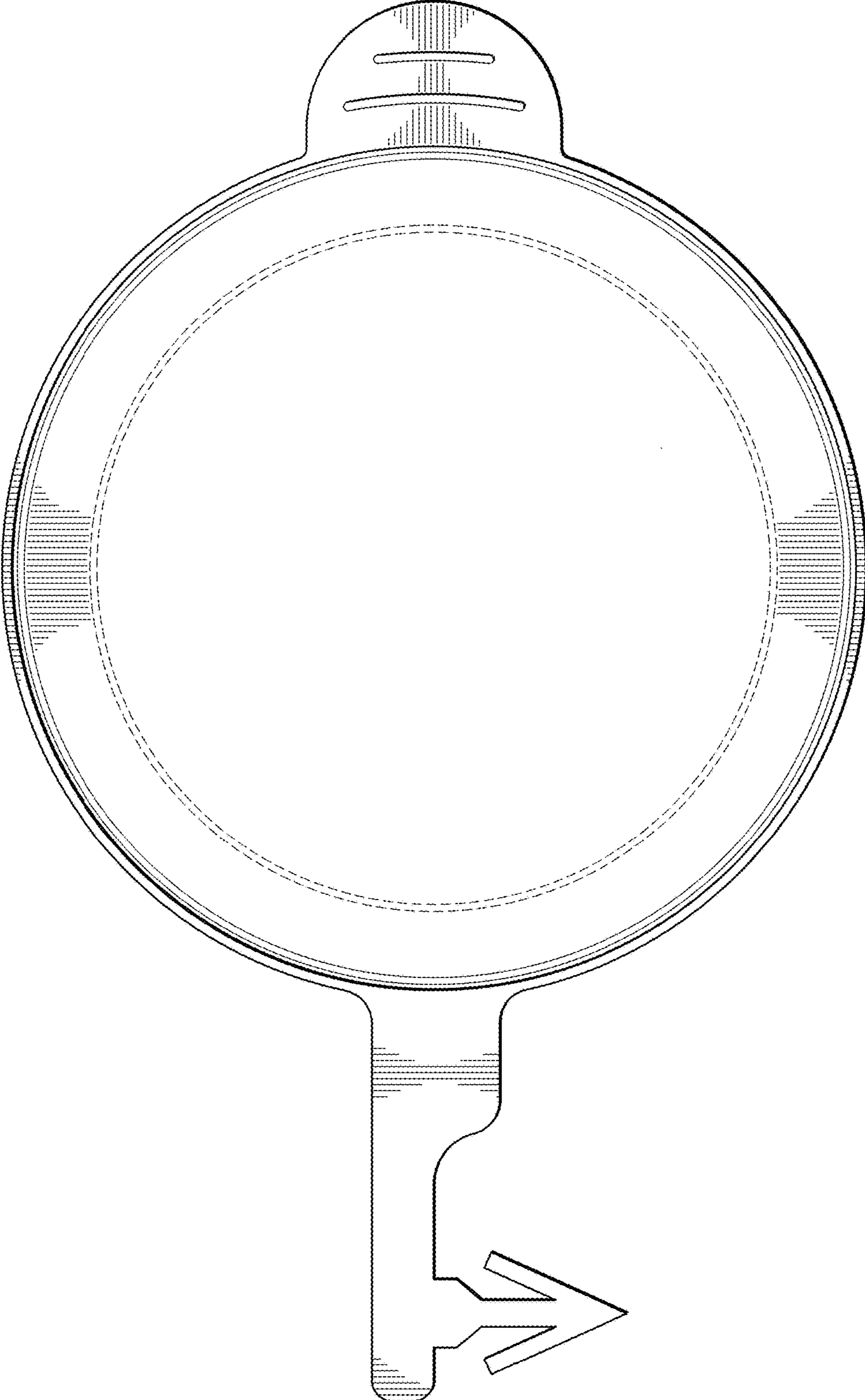


FIG. 15



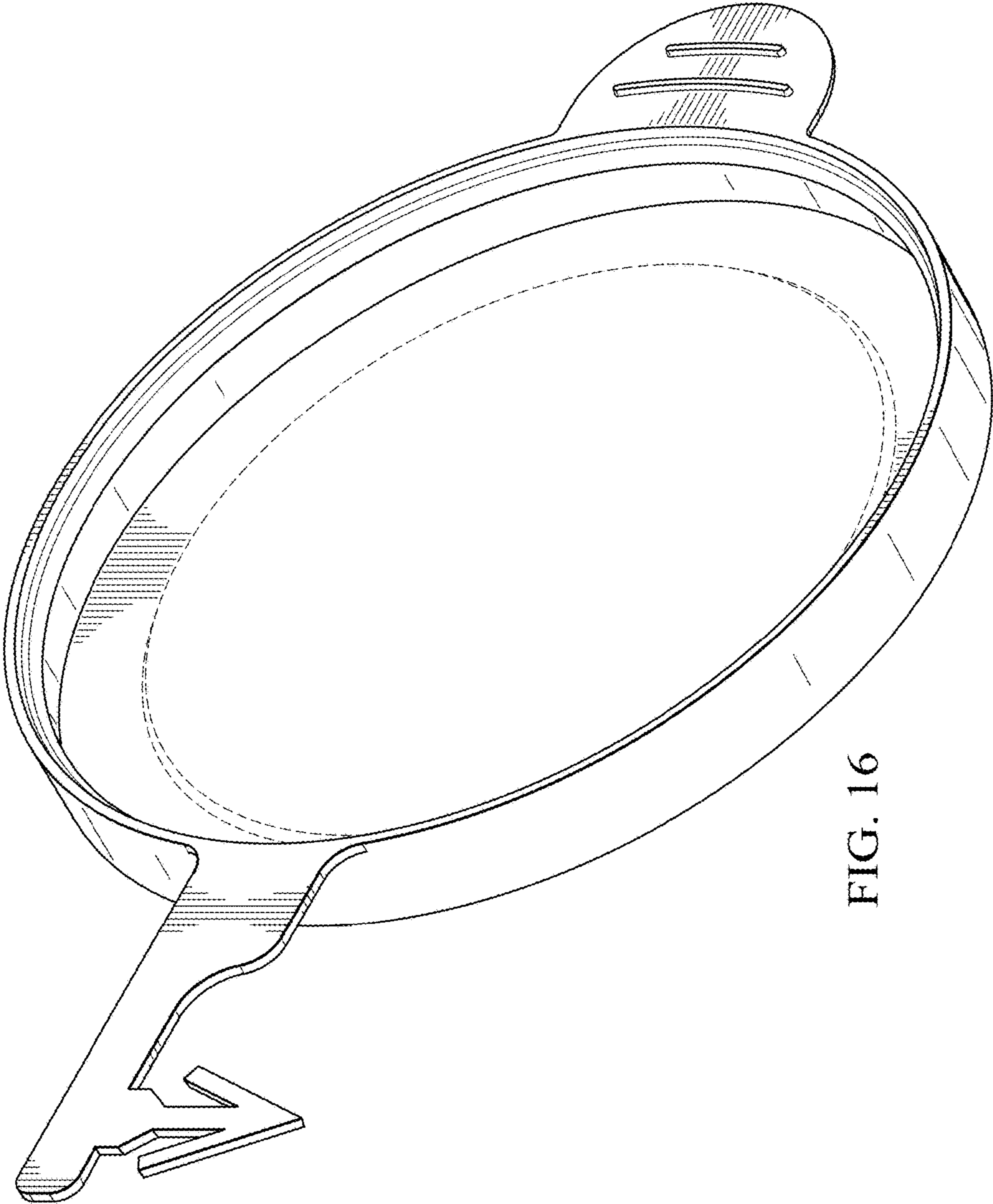


FIG. 16

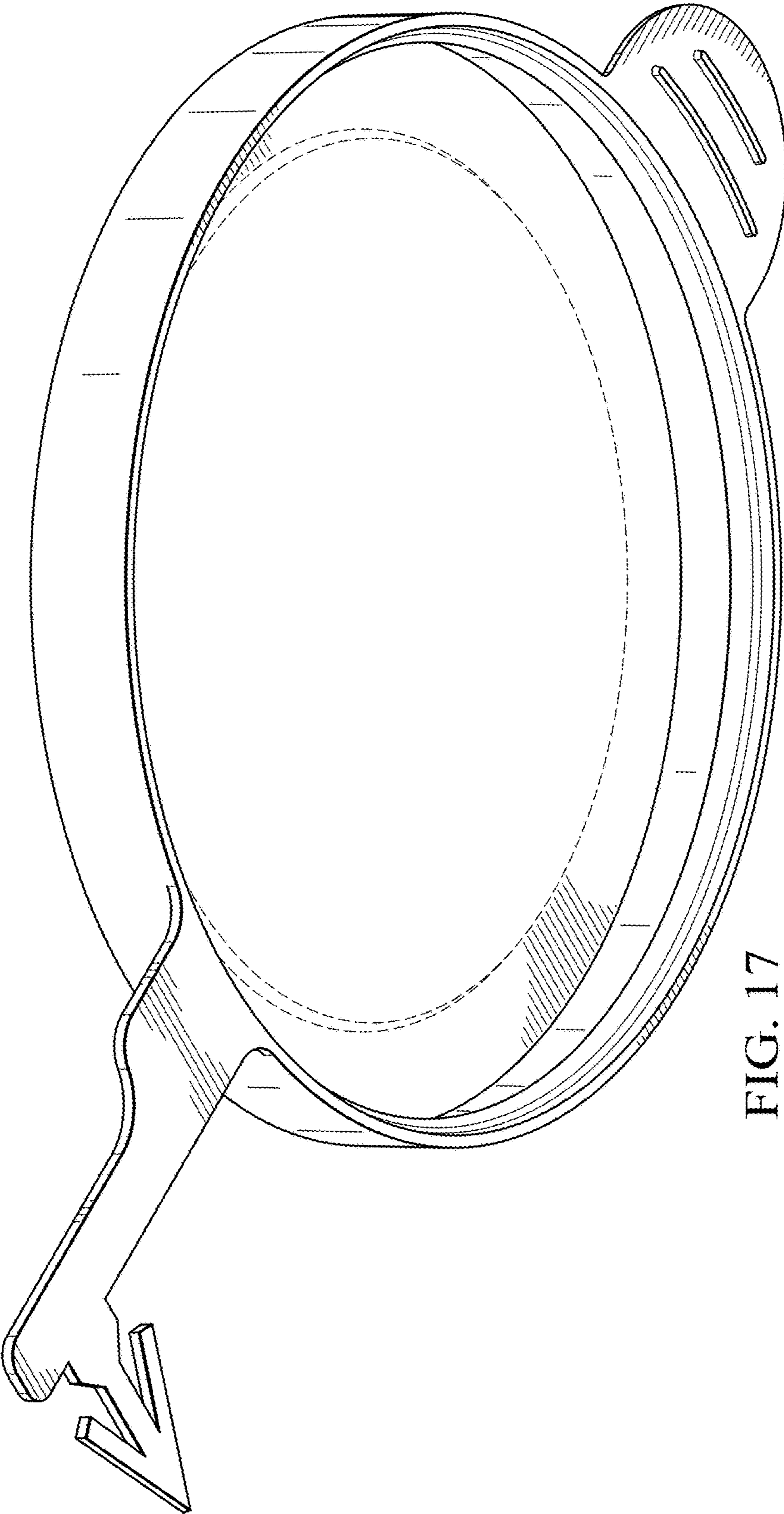


FIG. 17