



US00D832423S

(12) **United States Design Patent** (10) **Patent No.:** **US D832,423 S**
Ishida (45) **Date of Patent:** **** Oct. 30, 2018**

(54) **CATHETER ASSEMBLY WITH NEEDLE,
GUIDE WIRE AND CATHETER**

(71) Applicant: **TERUMO KABUSHIKI KAISHA,**
Shibuya-ku, Tokyo (JP)

(72) Inventor: **Masahiro Ishida,** Kanagawa (JP)

(73) Assignee: **TERUMO KABUSHIKI KAISHA,**
Tokyo (JP)

(**) Term: **15 Years**

(21) Appl. No.: **29/654,494**

(22) Filed: **Jun. 25, 2018**

Related U.S. Application Data

(63) Continuation of application No. 14/960,484, filed on
Dec. 7, 2015, which is a continuation of application
No. PCT/JP2014/058490, filed on Mar. 26, 2014.

(51) **LOC (11) Cl.** **24-02**

(52) **U.S. Cl.**
USPC **D24/112**

(58) **Field of Classification Search**
USPC D24/112–114, 108, 133, 130, 127, 186;
606/181, 185; 604/264, 272, 187, 181,
604/184, 227
CPC A61M 5/178; A61M 5/31; A61M 5/20;
A61M 5/3146; A61M 5/3129; A61M
5/3148; A61M 5/315

See application file for complete search history.

(56) **References Cited**

U.S. PATENT DOCUMENTS

4,525,157 A 6/1985 Vaillancourt
4,652,256 A 3/1987 Vaillancourt
5,366,441 A 11/1994 Crawford
5,507,807 A * 4/1996 Shippert A61F 2/12
604/181

(Continued)

FOREIGN PATENT DOCUMENTS

CN 101242868 A 8/2008
CN 102939129 A 2/2013

(Continued)

OTHER PUBLICATIONS

Japanese Notification of Reasons for Refusal dated Dec. 26, 2016
issued by the Japanese Patent Office in corresponding Japanese
Patent Application No. 2016-059718 (4 pages).

(Continued)

Primary Examiner — David G Muller

(74) *Attorney, Agent, or Firm* — Buchanan Ingersoll &
Rooney PC

(57) **CLAIM**

The ornamental design for a catheter assembly with needle,
guide wire and catheter, as shown and described.

DESCRIPTION

FIG. 1 is a top perspective view of a catheter assembly with
needle, guide wire and catheter showing my new design in
a first configuration.

FIG. 2 is a right side elevational view thereof.

FIG. 3 is a left side elevational view thereof.

FIG. 4 is top plan view thereof.

FIG. 5 is bottom plan view thereof.

FIG. 6 is front elevational view thereof.

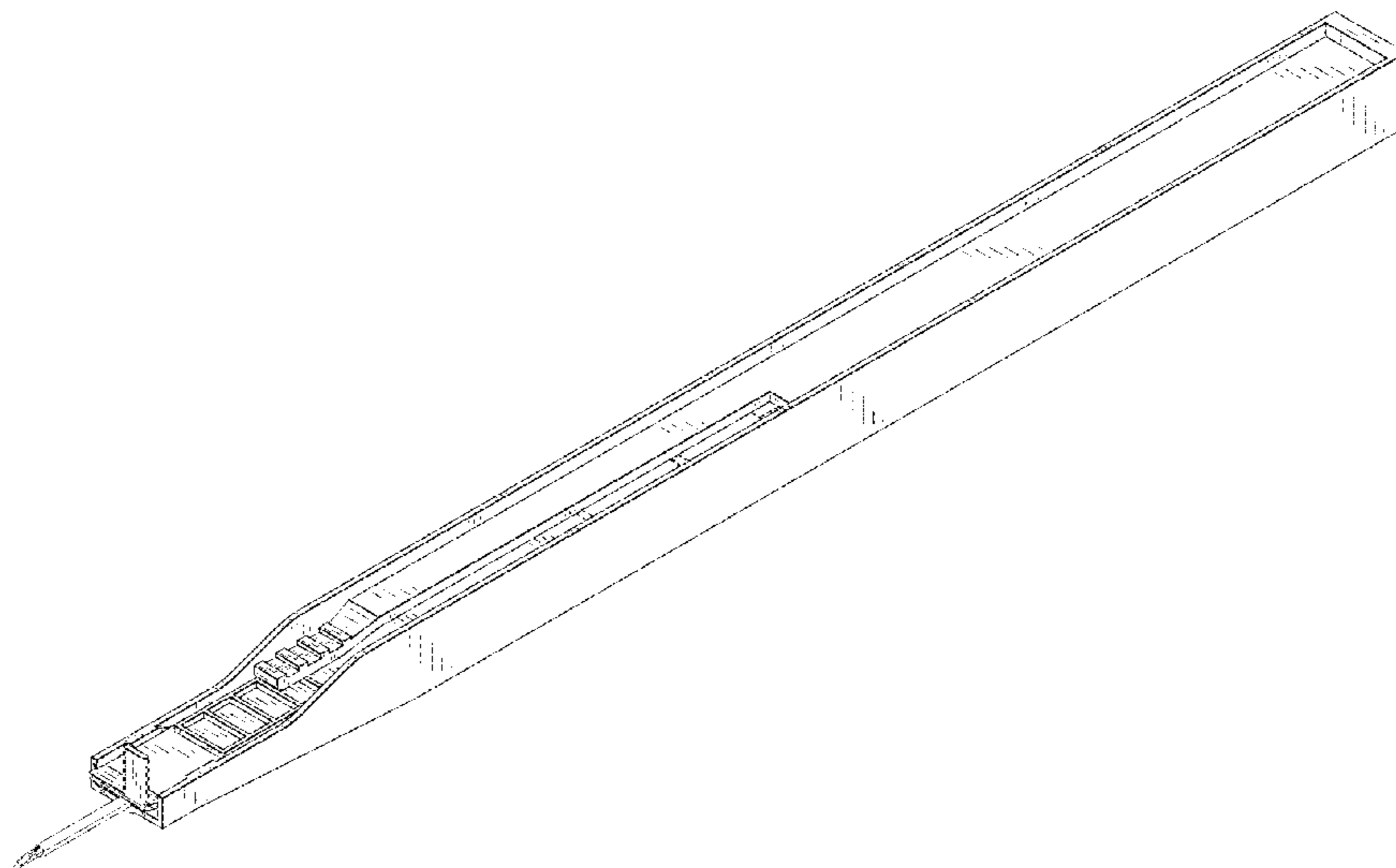
FIG. 7 is a rear elevational view thereof; and,

FIG. 8 is a top perspective view thereof in a second
configuration.

The broken line showing of portions of the catheter assem-
bly with needle, guide wire and catheter form no part of the
claimed design.

The dot-dash-dot line shown in the drawings defines a
boundary line for the claimed design.

1 Claim, 5 Drawing Sheets



(56)

References Cited

U.S. PATENT DOCUMENTS

D373,190 S * 8/1996 Monson D24/112
 D384,148 S * 9/1997 Monson D24/112
 6,197,001 B1 3/2001 Wilson et al.
 D496,457 S 9/2004 Prais et al.
 6,953,448 B2 10/2005 Moulton et al.
 7,322,996 B2 * 1/2008 Taylor A61B 5/150022
 606/181
 D611,601 S 3/2010 Tamai et al.
 D619,251 S * 7/2010 Justiniano-Garcia
 A61B 17/32053
 D24/133
 8,177,749 B2 * 5/2012 Slate A61M 5/20
 604/131
 8,449,480 B2 * 5/2013 Fowler A61B 5/1411
 600/583
 D702,833 S 4/2014 Cecchi
 D702,835 S 4/2014 Vinchon
 9,186,133 B2 11/2015 Gregoire et al.
 D746,442 S * 12/2015 Wollbold D24/112
 9,375,551 B2 6/2016 Harding
 D779,661 S * 2/2017 McKnight D24/127
 D792,969 S * 7/2017 Taylor D24/130
 D802,752 S 11/2017 Holland
 D806,862 S * 1/2018 Semmann D24/112
 D817,482 S * 5/2018 Howell A61B 5/1405
 D24/112
 D823,461 S * 7/2018 Shaw D24/114

2010/0094310 A1 4/2010 Warring et al.
 2011/0282285 A1 11/2011 Blandard et al.
 2013/0023826 A1 1/2013 Ishida

FOREIGN PATENT DOCUMENTS

EP 1378263 A2 1/2004
 JP 2012-005647 A 1/2012
 JP 2012205692 A 10/2012
 JP 5108882 B2 12/2012
 WO 2011/118643 A1 9/2011
 WO 2011/143621 A1 11/2011

OTHER PUBLICATIONS

Supplementary European Search Report dated Feb. 6, 2017 issued by the European Patent Office in corresponding European Patent Application No. 14811087.7 (7 pages).
 Extended European Search Report dated Jul. 18, 2017 issued by the European Patent Office in corresponding European Patent Application No. 14811087.7 (14 pages).
 Chinese Official Action dated Jul. 24, 2017 issued by the Chinese Patent Office in corresponding Chinese Patent Application No. 201480018070.8 (10 pages).
 Japanese Official Action dated Aug. 31, 2017 issued by the Japanese Patent Office in corresponding Japanese Patent Application No. 2015-522600, and English language translation of Official Action (6 pages).

* cited by examiner

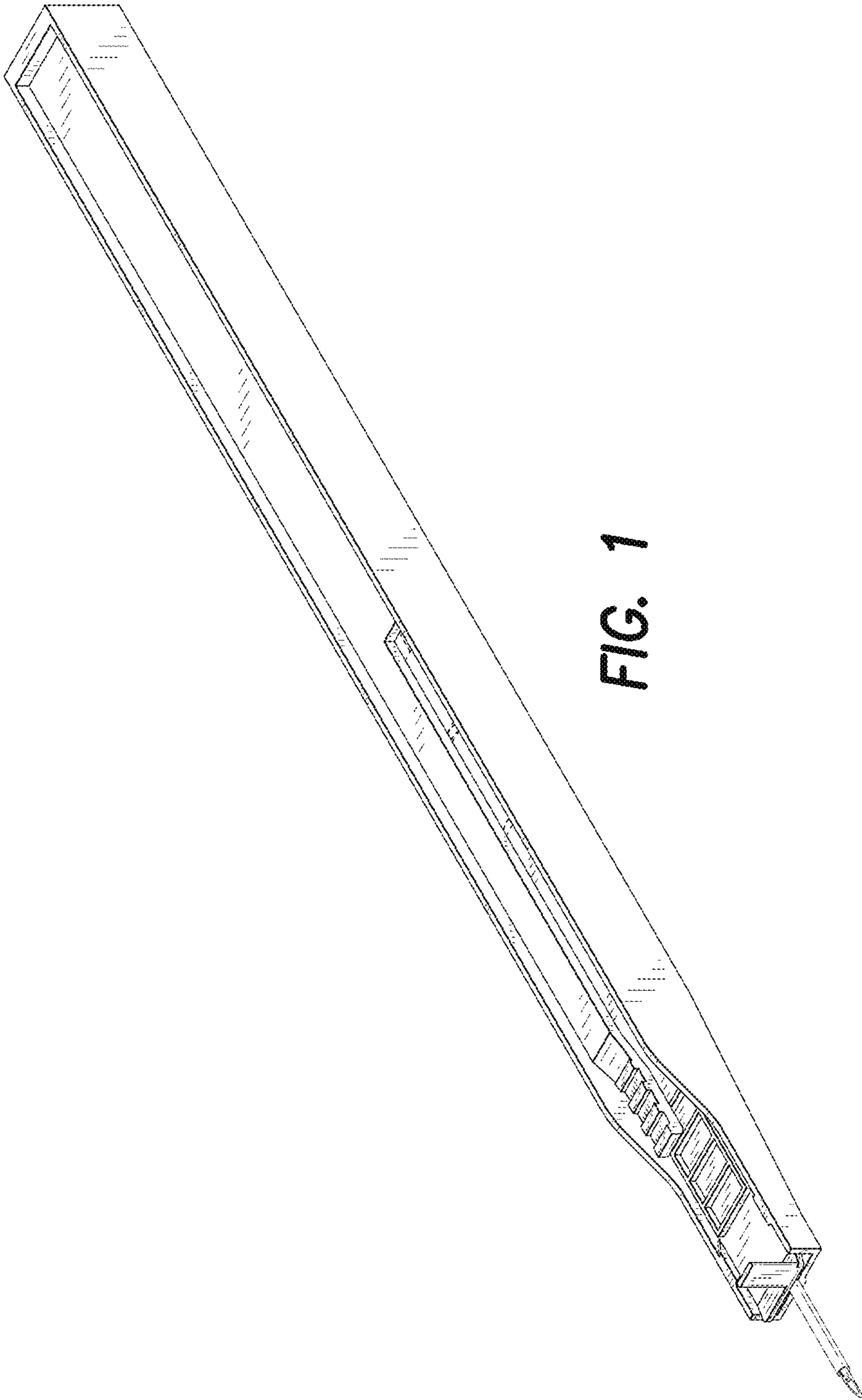


FIG. 1

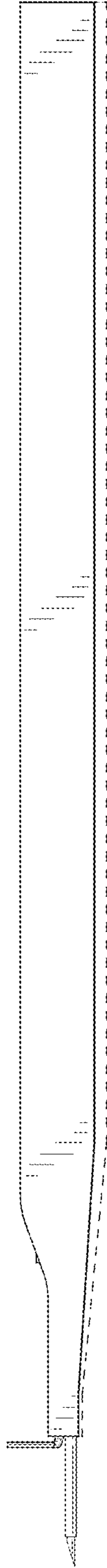


FIG. 2

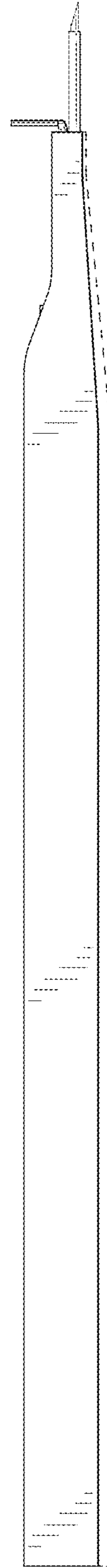


FIG. 3



FIG. 4

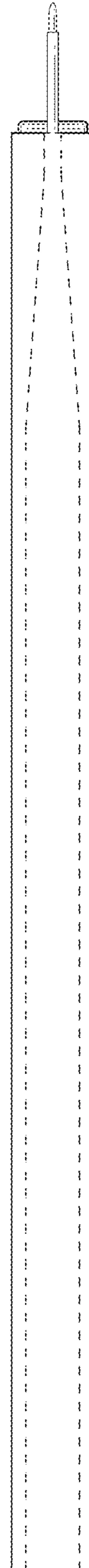


FIG. 5

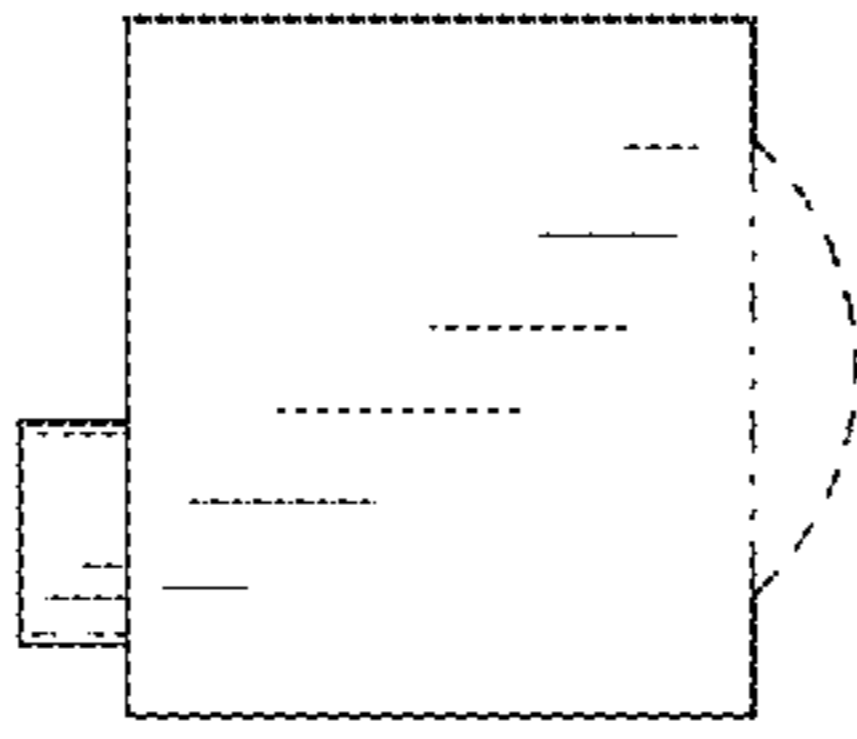


FIG. 7

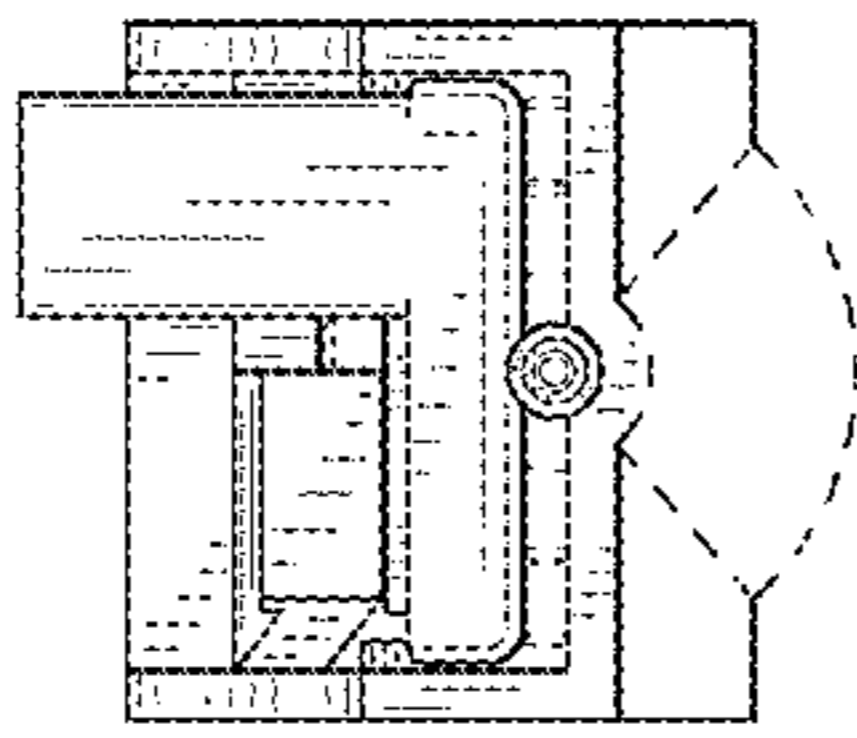


FIG. 6

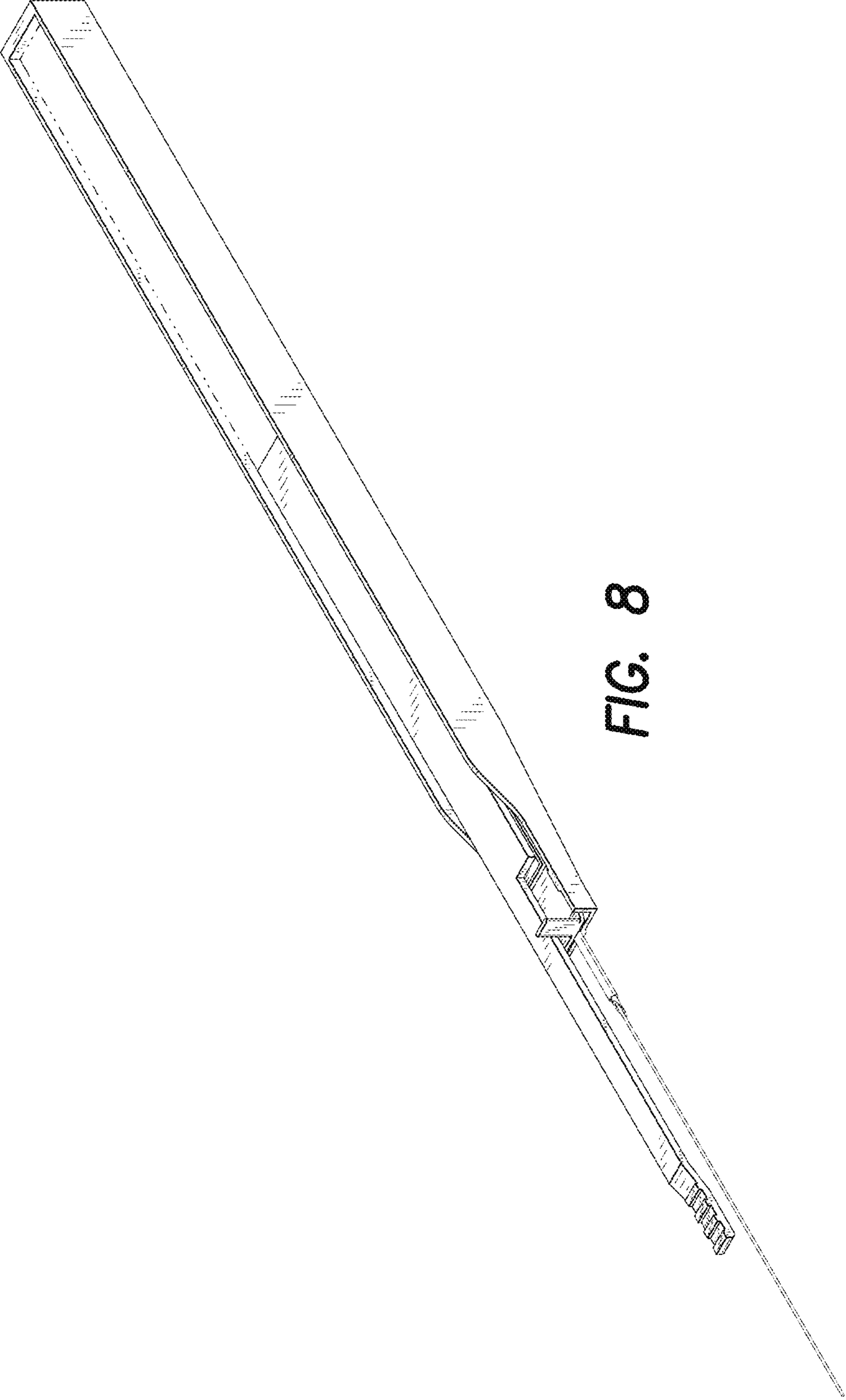


FIG. 8