



US00D832422S

(12) **United States Design Patent** (10) **Patent No.:** **US D832,422 S**  
**Kohler** (45) **Date of Patent:** **\*\* Oct. 30, 2018**

(54) **DENTAL INSTRUMENT WITH ATTACHMENT**  
(71) Applicant: **ONVI, Inc.**, Wilmette, IL (US)  
(72) Inventor: **Craig S. Kohler**, Glenview, IL (US)  
(73) Assignee: **ONVI, Inc.**, Wilmette, IL (US)  
(\*\*) Term: **15 Years**  
(21) Appl. No.: **29/611,078**  
(22) Filed: **Jul. 18, 2017**

**Related U.S. Application Data**

(63) Continuation of application No. 29/558,152, filed on Mar. 15, 2016, now Pat. No. Des. 795,419.  
(51) **LOC (11) Cl.** ..... **24-02**  
(52) **U.S. Cl.**  
USPC ..... **D24/111; D24/152; D24/137; D4/101; D4/108**  
(58) **Field of Classification Search**  
USPC ..... D24/108, 111-113, 133, 137, 152, 176; D4/101, 108, 138  
CPC ..... A61C 17/0205; A61C 17/0202; A61C 17/224; A61C 17/20; A61C 17/005; A61C 17/028; A61C 17/02; A61C 17/36; A61C 17/00; A61C 17/0211; A61C 17/0214; A61C 17/28; A61C 17/043; A61C 17/22; A61C 17/222; A61C 17/225  
See application file for complete search history.

(56) **References Cited**

**U.S. PATENT DOCUMENTS**

D303,876 S \* 10/1989 Clemens ..... D4/101  
D341,943 S \* 12/1993 Si-Hoe ..... D4/101  
D353,490 S \* 12/1994 Hartwein ..... D13/108  
D354,168 S \* 1/1995 Hartwein ..... D13/108

D363,605 S \* 10/1995 Kou ..... D4/101  
D414,867 S \* 10/1999 Moriwaki ..... D24/152  
D441,861 S \* 5/2001 Hafliger ..... D24/111  
D599,018 S \* 8/2009 Plank ..... D24/152  
D613,865 S \* 4/2010 De Charentenay ..... D24/137  
D618,799 S \* 6/2010 Plank ..... D24/152  
D619,717 S \* 7/2010 Toshima ..... D24/152  
D630,747 S \* 1/2011 Shinohara ..... D24/137  
D711,951 S \* 8/2014 Mazuir ..... D16/218  
D741,935 S \* 10/2015 Sundheim ..... D16/208  
D766,581 S \* 9/2016 Bloch ..... D4/101  
D795,419 S \* 8/2017 Kohler ..... D24/111  
D810,293 S \* 2/2018 Peel ..... D24/152  
2005/0003323 A1 \* 1/2005 Katsuda ..... A61B 1/00089  
433/29  
2005/0281758 A1 \* 12/2005 Dodd ..... A61K 8/26  
424/49  
2015/0230899 A1 \* 8/2015 Vetter ..... A61C 17/221  
700/90

(Continued)

*Primary Examiner* — Karen E Kearney

*Assistant Examiner* — Lilyana Bekic

(74) *Attorney, Agent, or Firm* — Greenberg Traurig, LLP

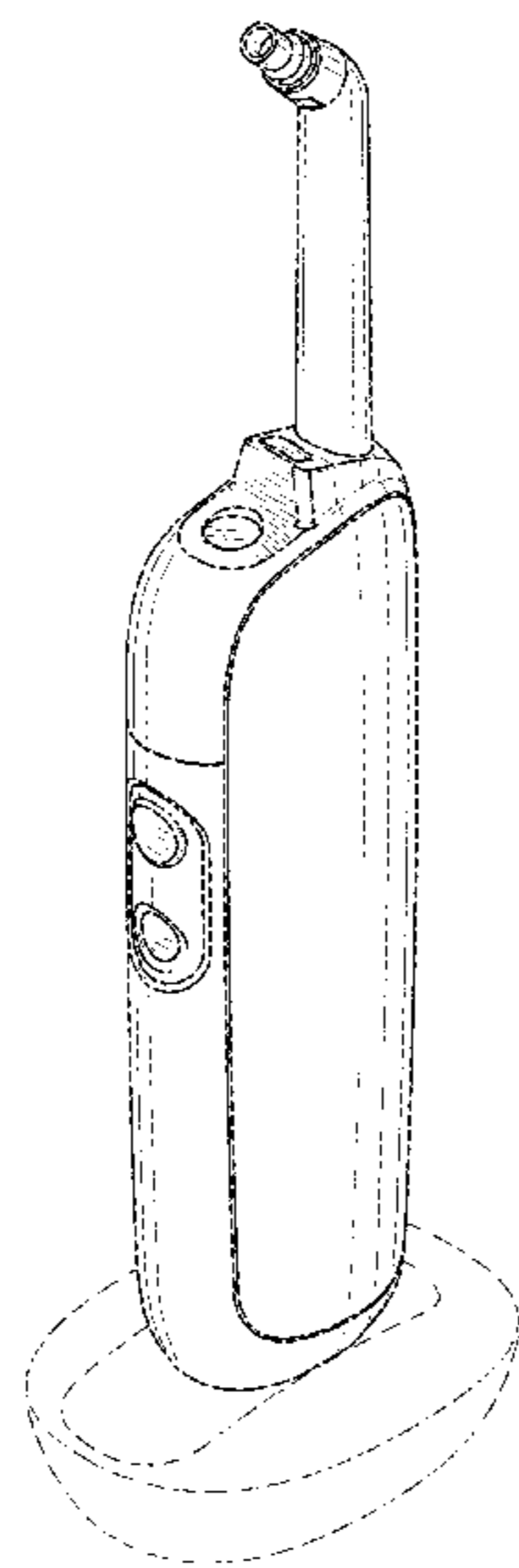
(57) **CLAIM**

The ornamental design for a dental instrument with attachment, as shown and described.

**DESCRIPTION**

FIG. 1 is an isometric view of a dental instrument with attachment of the present design;  
FIG. 2 is a front elevation view thereof;  
FIG. 3 is a rear elevation view thereof;  
FIG. 4 is a left side elevation view thereof; the right side elevation view is a mirror image;  
FIG. 5 is a top plan view thereof; and,  
FIG. 6 is a bottom plan view thereof.  
The broken lines shown in the drawings depict the environment of the dental instrument with attachment and form no part of the claimed design.

**1 Claim, 4 Drawing Sheets**



(56)

**References Cited**

U.S. PATENT DOCUMENTS

2015/0257636 A1\* 9/2015 Kohler ..... A61B 1/247  
433/29  
2016/0338808 A1\* 11/2016 Bloch ..... A61C 17/221  
2017/0056142 A1\* 3/2017 Baragona ..... A61C 17/0202  
2017/0079754 A1\* 3/2017 Sedillo ..... A61C 17/005  
2017/0189151 A1\* 7/2017 Fischer ..... A61C 17/222  
2017/0224452 A1\* 8/2017 Chang ..... A61C 17/028  
2017/0296314 A1\* 10/2017 Schaefer ..... A61C 17/34  
2018/0140404 A1\* 5/2018 Schaefer ..... A61C 17/222

\* cited by examiner

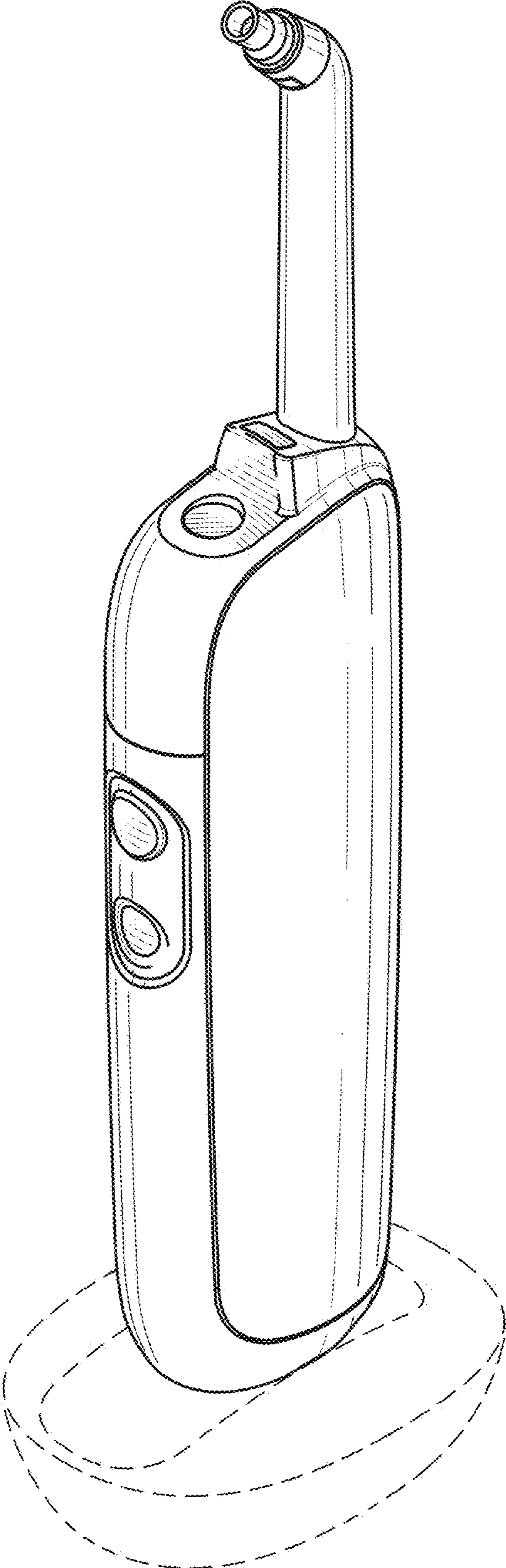
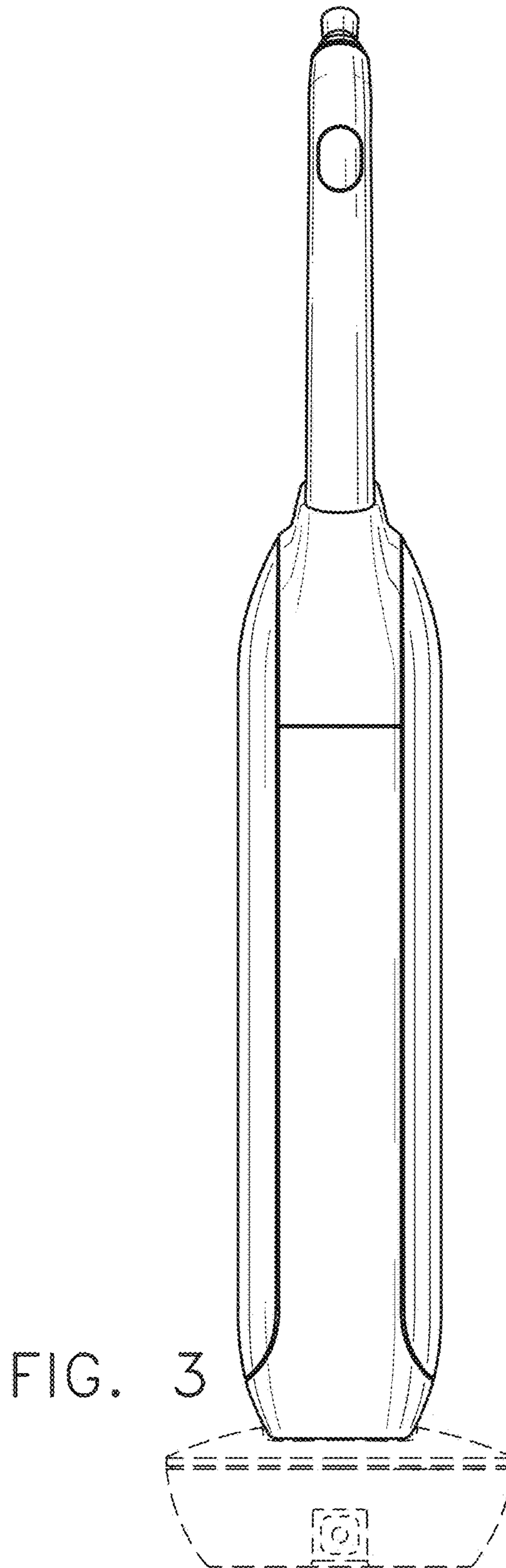
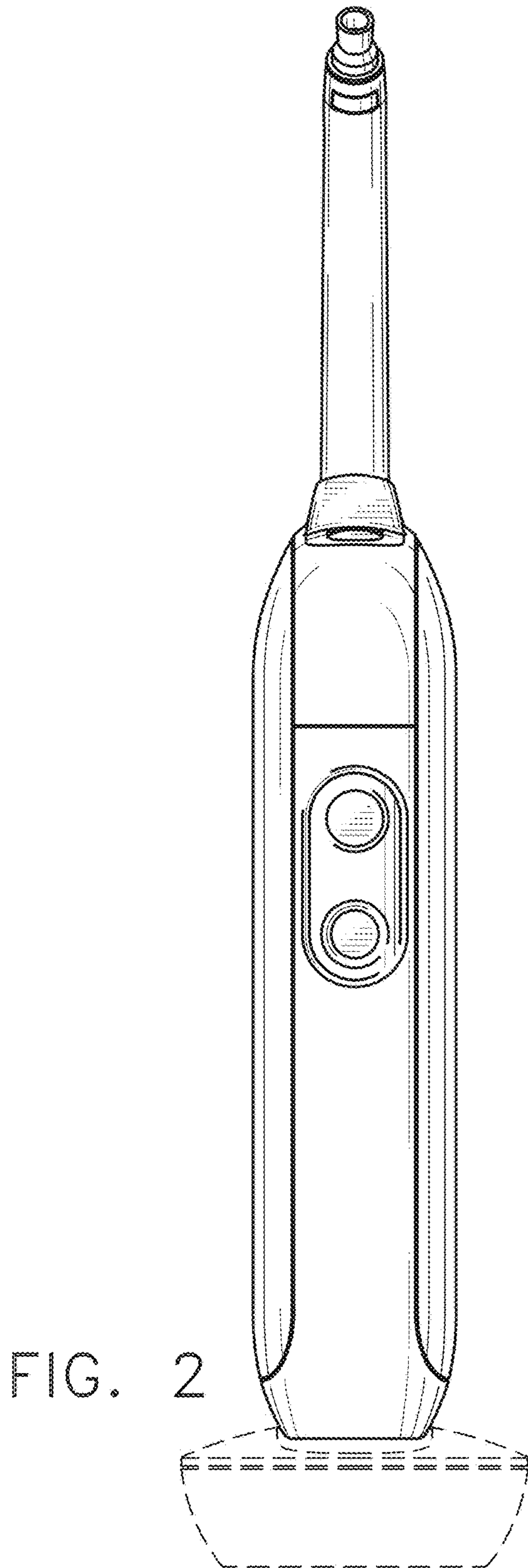


FIG. 1



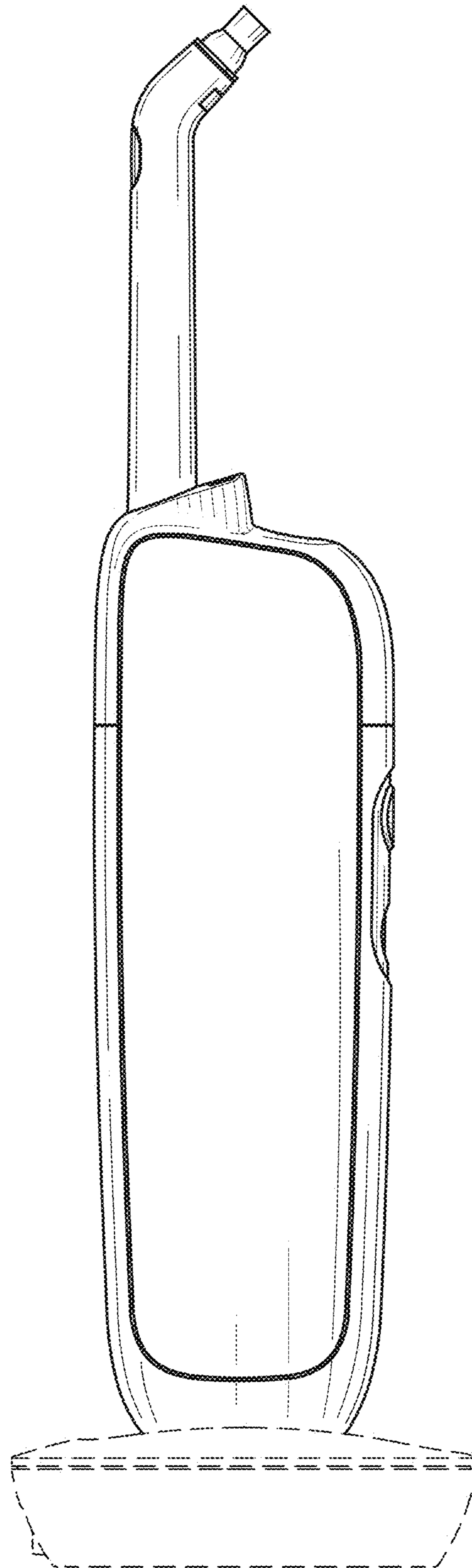


FIG. 4

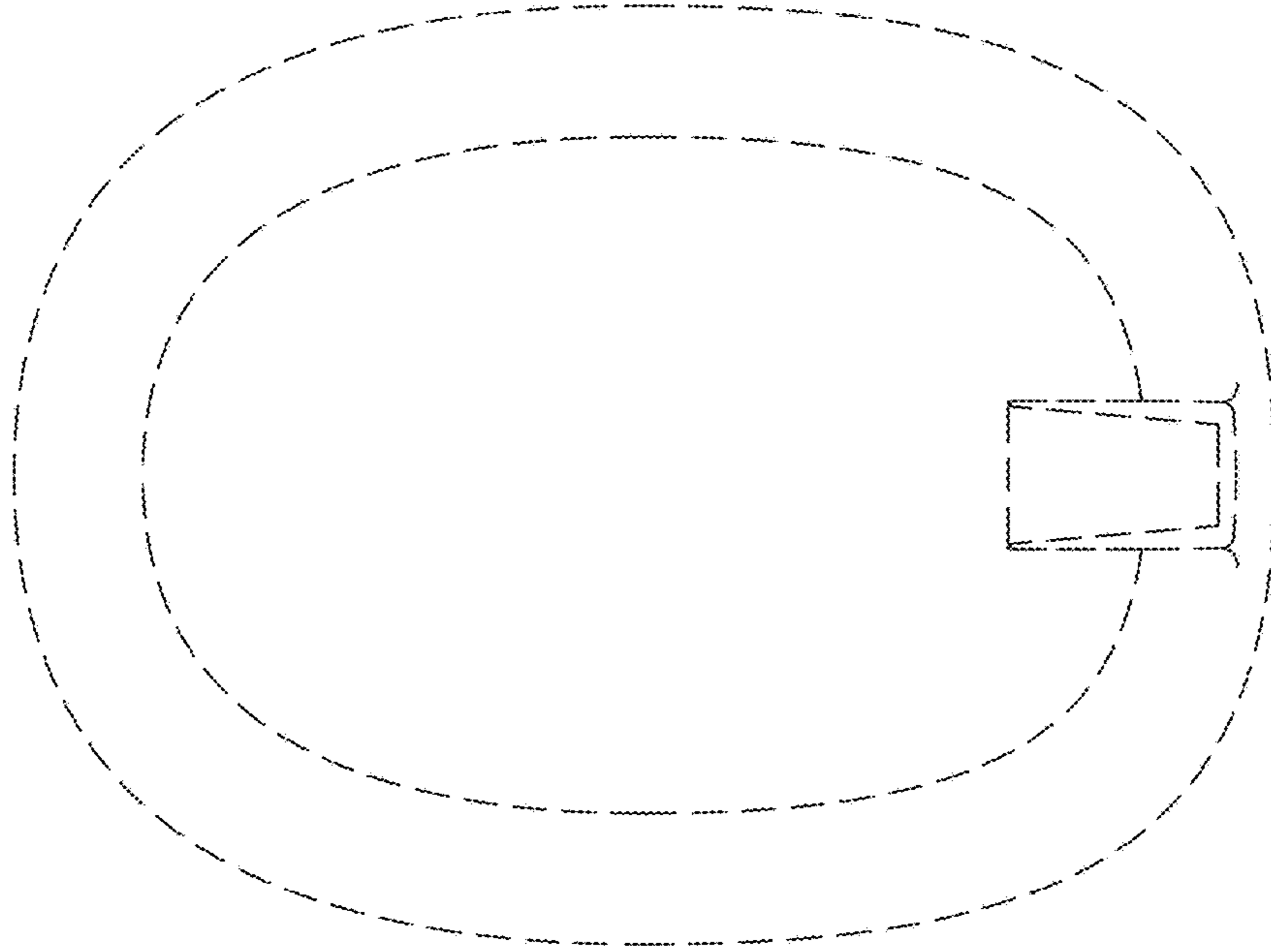


FIG. 6

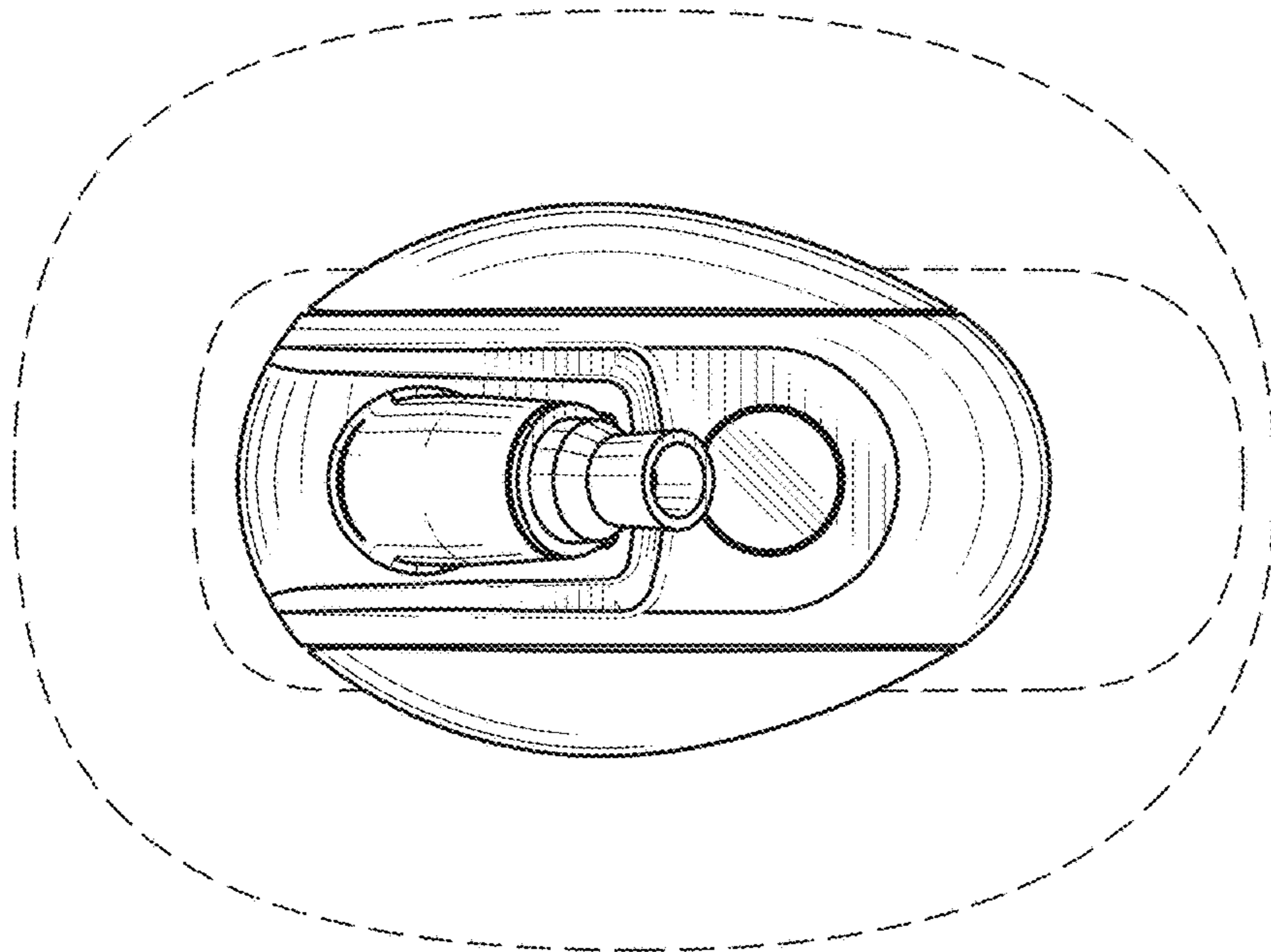


FIG. 5