



US00D832421S

(12) **United States Design Patent** (10) **Patent No.:** **US D832,421 S**
Kohler (45) **Date of Patent:** **** Oct. 30, 2018**

- (54) **DENTAL INSTRUMENT BODY**
- (71) Applicant: **ONVI, Inc.**, Wilmette, IL (US)
- (72) Inventor: **Craig S. Kohler**, Glenview, IL (US)
- (73) Assignee: **ONVI, Inc.**, Wilmette, IL (US)
- (**) Term: **15 Years**
- (21) Appl. No.: **29/611,065**
- (22) Filed: **Jul. 18, 2017**

Related U.S. Application Data

- (63) Continuation of application No. 29/558,152, filed on Mar. 15, 2016, now Pat. No. Des. 795,419.
- (51) **LOC (11) Cl.** **24-02**
- (52) **U.S. Cl.**
USPC **D24/111; D24/152; D24/137; D4/101; D4/108**
- (58) **Field of Classification Search**
USPC D24/108, 111-113, 133, 137, 152, 176; D4/101, 108, 138
CPC A61C 17/0205; A61C 17/0202; A61C 17/224; A61C 17/20; A61C 17/005; A61C 17/028; A61C 17/02; A61C 17/36; A61C 17/00; A61C 17/0211; A61C 17/0214; A61C 17/28; A61C 17/043; A61C 17/22; A61C 17/222; A61C 17/225
See application file for complete search history.

References Cited

U.S. PATENT DOCUMENTS

- D303,876 S * 10/1989 Clemens D4/101
- D341,943 S * 12/1993 Si-Hoe D4/101
- D353,490 S * 12/1994 Hartwein D13/108
- D354,168 S * 1/1995 Hartwein D13/108
- D363,605 S * 10/1995 Kou D4/101
- D414,867 S * 10/1999 Moriwaki D24/152

- D441,861 S * 5/2001 Hafliger D24/111
- D599,018 S * 8/2009 Plank D24/152
- D613,865 S * 4/2010 De Charentenay D24/137
- D618,799 S * 6/2010 Plank D24/152
- D619,717 S * 7/2010 Toshima D24/152
- D630,747 S * 1/2011 Shinohara D24/137
- D711,951 S * 8/2014 Mazuir D16/218
- D741,935 S * 10/2015 Sundheim D16/208
- D766,581 S * 9/2016 Bloch D4/101
- D795,419 S * 8/2017 Kohler D24/111
- D810,293 S * 2/2018 Peel D24/152
- 2005/0003323 A1* 1/2005 Katsuda A61B 1/00089
433/29
- 2005/0281758 A1* 12/2005 Dodd A61K 8/26
424/49
- 2015/0230899 A1* 8/2015 Vetter A61C 17/221
700/90
- 2015/0257636 A1* 9/2015 Kohler A61B 1/247
433/29

(Continued)

Primary Examiner — Karen E Kearney
Assistant Examiner — Lilyana Bekic
(74) *Attorney, Agent, or Firm* — Greenberg Traurig, LLP

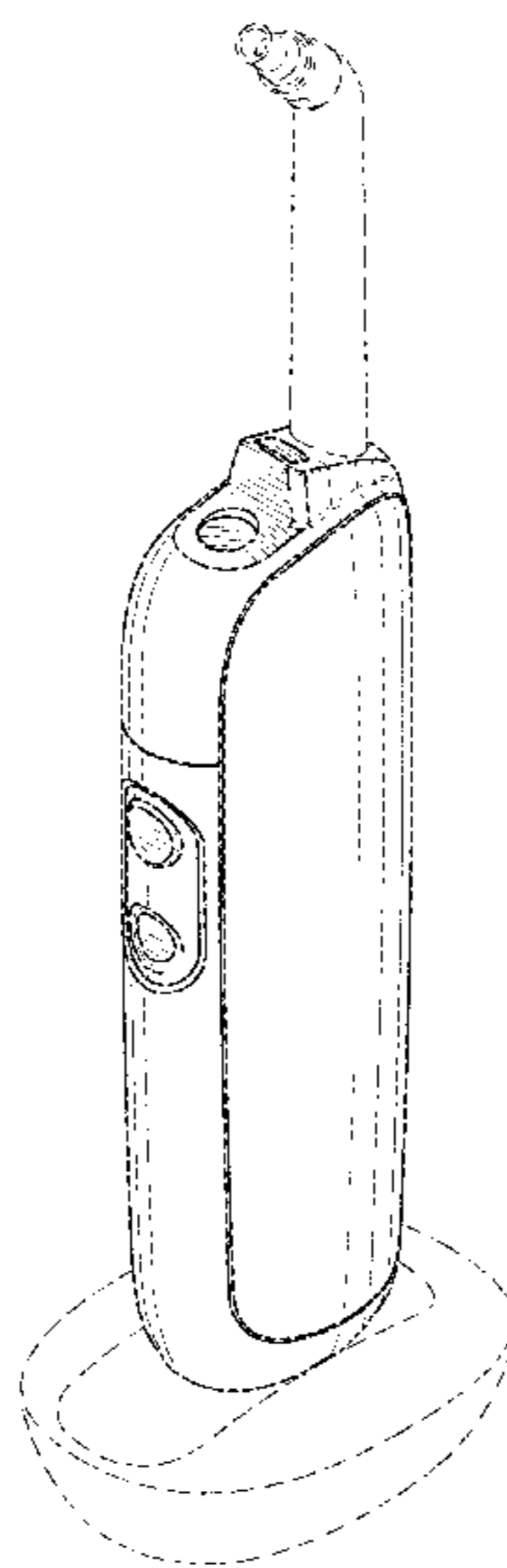
(57) **CLAIM**

The ornamental design for a dental instrument body, as shown and described.

DESCRIPTION

FIG. 1 is an isometric view of a dental instrument body of the present design;
FIG. 2 is a front elevation view thereof;
FIG. 3 is a rear elevation view thereof;
FIG. 4 is a left side elevation view thereof; the right side elevation view is a mirror image;
FIG. 5 is a top plan view thereof; and,
FIG. 6 is a bottom plan view thereof.
The broken lines shown in the drawings depict the environment of the dental instrument body and form no part of the claimed design.

1 Claim, 4 Drawing Sheets



(56)

References Cited

U.S. PATENT DOCUMENTS

2016/0338808 A1* 11/2016 Bloch A61C 17/221
2017/0056142 A1* 3/2017 Baragona A61C 17/0202
2017/0079754 A1* 3/2017 Sedillo A61C 17/005
2017/0189151 A1* 7/2017 Fischer A61C 17/222
2017/0224452 A1* 8/2017 Chang A61C 17/028
2017/0296314 A1* 10/2017 Schaefer A61C 17/34
2018/0140404 A1* 5/2018 Schaefer A61C 17/222

* cited by examiner

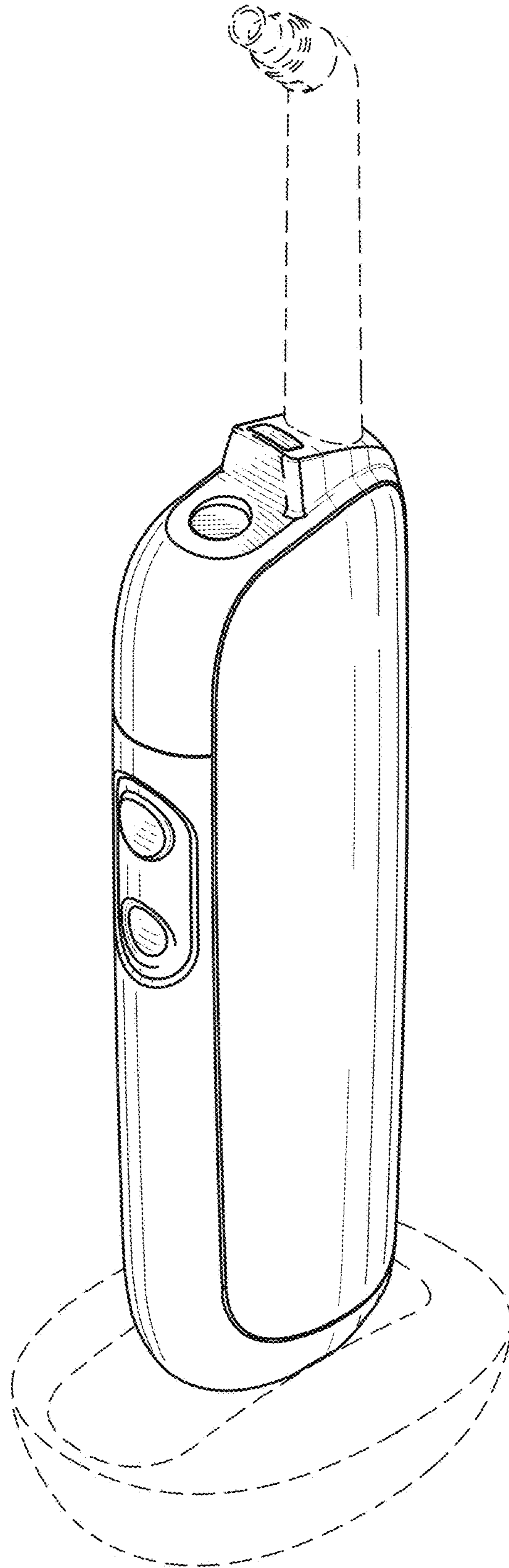
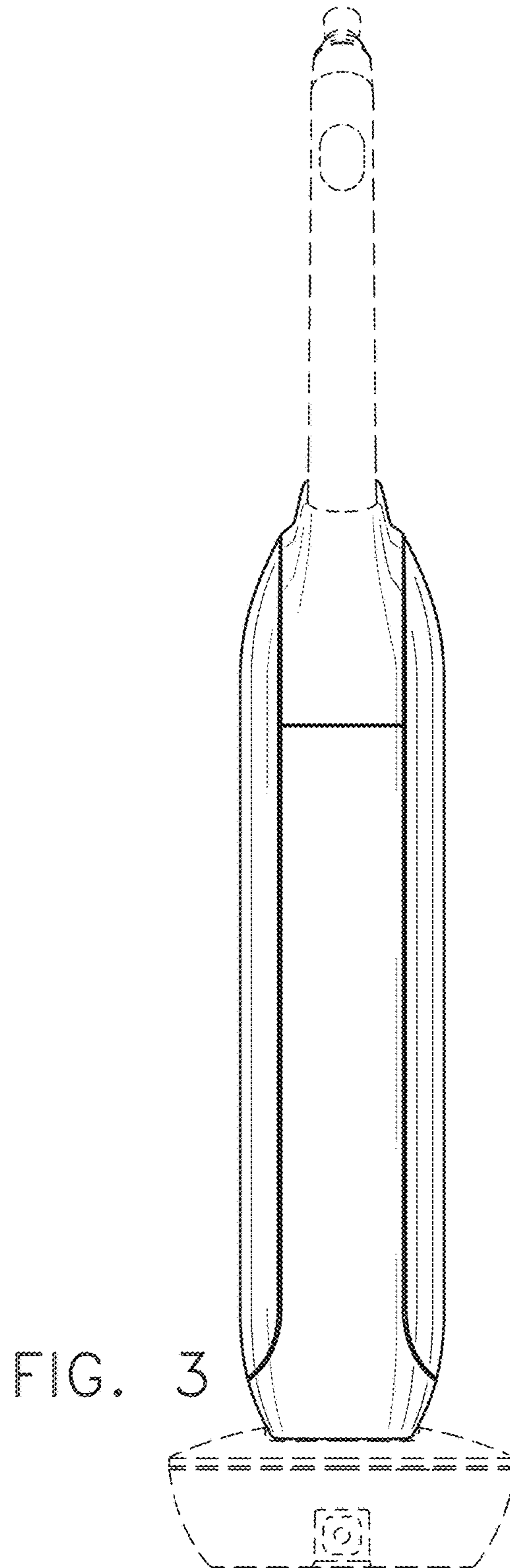
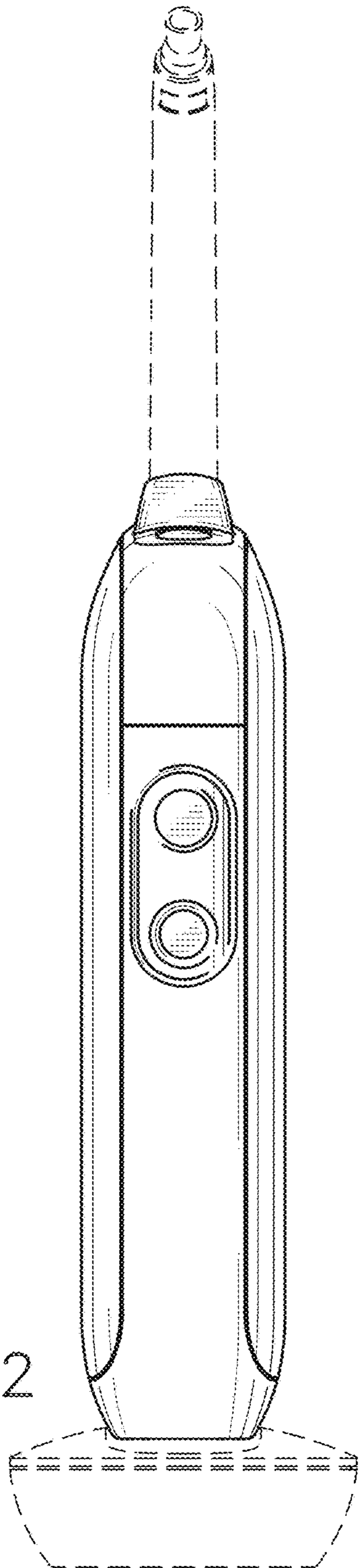


FIG. 1



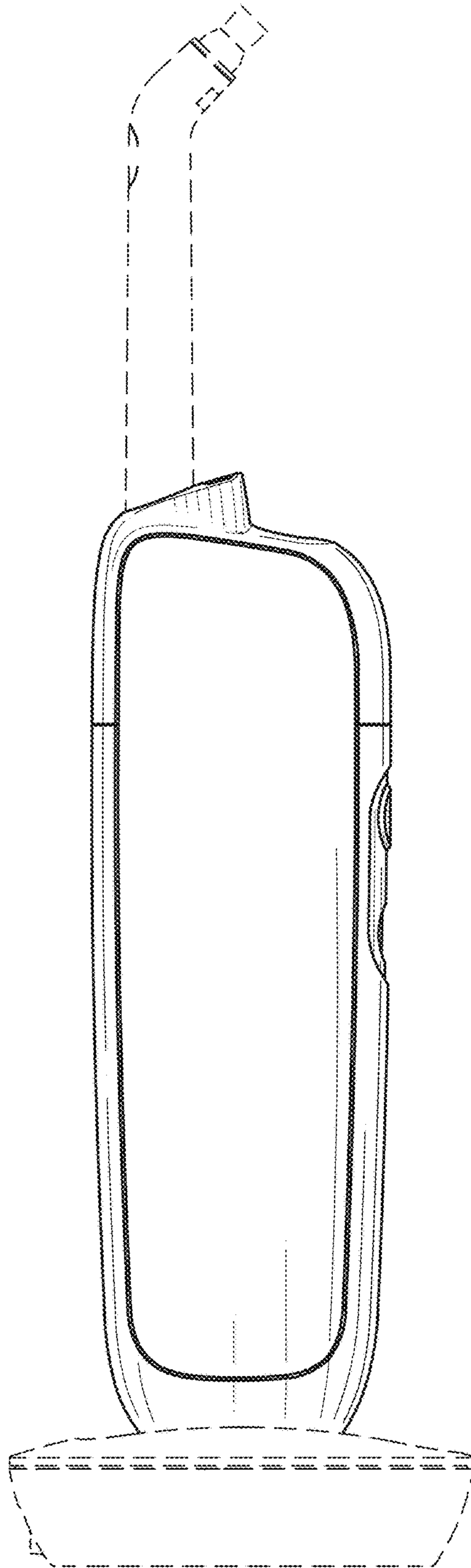


FIG. 4

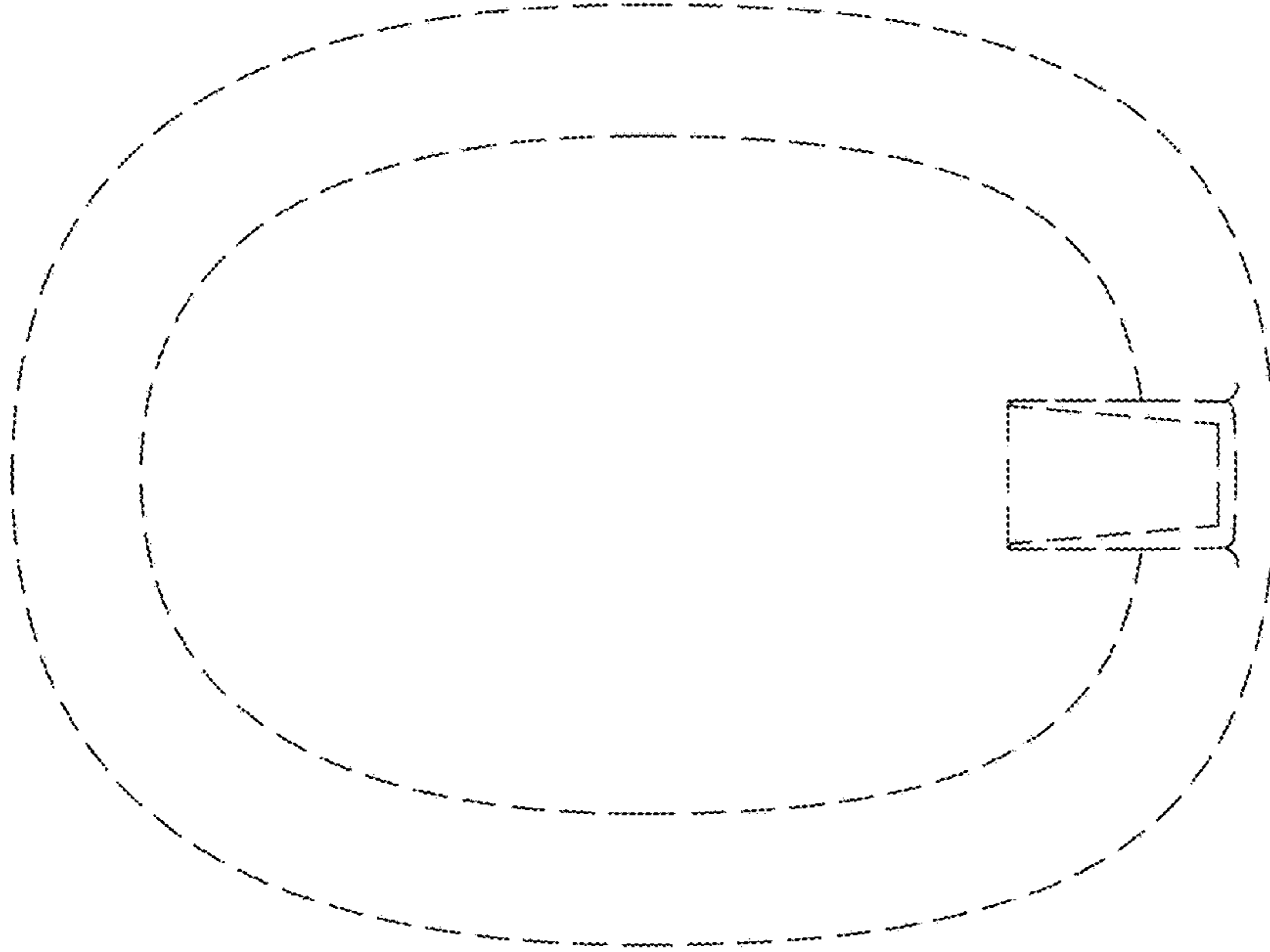


FIG. 6

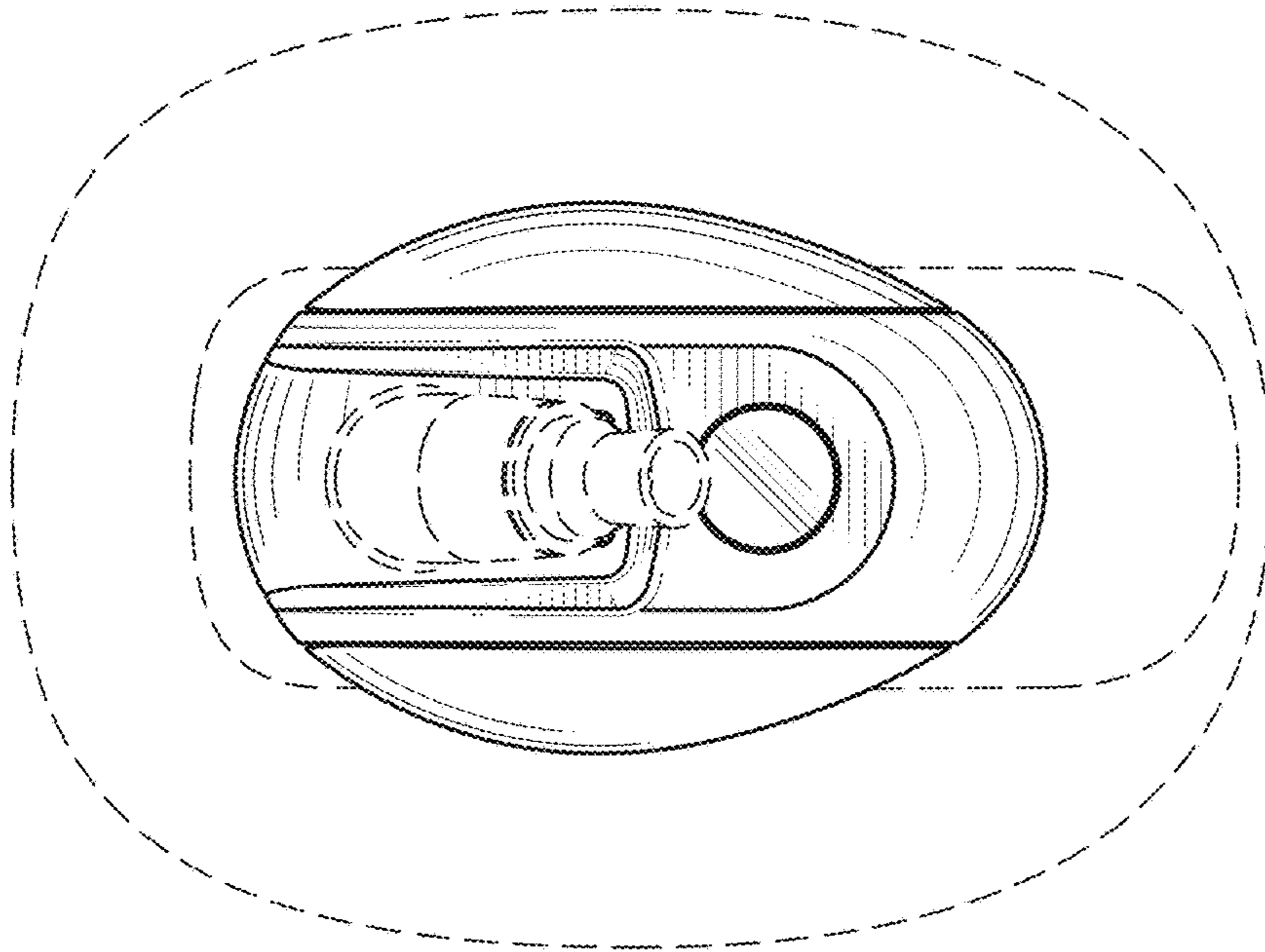


FIG. 5