

US00D832417S

(12) **United States Design Patent**  
**Papson**

(10) **Patent No.:** **US D832,417 S**

(45) **Date of Patent:** **\*\* Oct. 30, 2018**

- (54) **FIREPLACE ANDIRON**
- (71) Applicant: **Costa L. Papson**, Bronx, NY (US)
- (72) Inventor: **Costa L. Papson**, Bronx, NY (US)
- (\*\*) Term: **15 Years**
- (21) Appl. No.: **29/622,498**
- (22) Filed: **Oct. 17, 2017**
- (51) **LOC (11) Cl.** ..... **23-03**
- (52) **U.S. Cl.**  
USPC ..... **D23/407**
- (58) **Field of Classification Search**  
USPC ..... D23/402, 403, 407, 409, 410, 415  
CPC ..... A47J 37/0786; A47J 37/108; A47J 36/34;  
F21K 9/23; F21S 10/04; F21S 10/046;  
F21V 17/02; F21V 17/06; F21V 17/10;  
F23D 14/06; F23D 14/065; F23D 14/26;  
F23D 14/58; F23D 14/586; F23D 14/60;  
F23D 14/74; F23R 3/14; F23R 3/28;  
F24B 1/181; F24B 1/189; F24B 1/193;  
F24B 1/195; F24B 15/002; F24C 3/006;  
F24C 3/008; F24C 3/085; F24C 7/004;  
F24C 15/005; F24C 15/101; F24C  
15/107; G01F 11/18; G07F 11/18; G07F  
13/02; G07F 17/00; G09F 19/00; H01K  
7/06; H05B 37/02

See application file for complete search history.

(56) **References Cited**

**U.S. PATENT DOCUMENTS**

- 836,145 A \* 11/1906 Schutz ..... F23C 3/008  
110/104 R
- 1,488,196 A \* 3/1924 Dawson ..... F24B 1/193  
126/298
- 1,731,306 A \* 10/1929 Hileman ..... F23D 14/06  
239/415
- 1,932,740 A \* 10/1933 Kerr ..... F23D 14/586  
239/552
- 1,977,336 A \* 10/1934 Gorretta ..... F23D 14/60  
137/484.2

- 2,447,295 A \* 8/1948 Waggoner ..... F24B 1/193  
126/298
- 2,569,198 A \* 9/1951 Schoenheit ..... F24B 1/193  
126/298
- 3,444,637 A \* 5/1969 Joy ..... F24C 7/004  
40/428
- 3,522,798 A \* 8/1970 Frazer ..... F24B 1/193  
126/298
- 4,018,208 A \* 4/1977 Hamilton ..... F24B 1/1886  
126/522

(Continued)

**OTHER PUBLICATIONS**

19th c. cast iron Shaker stove, image post date 19th century, site visited Jul. 16, 2018, (online), <<https://copakeauction.hibid.com/lot/28936588/19th-c--shaker-stove/?cpage=2&ipp=100&ref=catalog>>.\*

(Continued)

*Primary Examiner* — Kevin K Rudzinski  
*Assistant Examiner* — Sean D Lough  
(74) *Attorney, Agent, or Firm* — Paul R. Martin

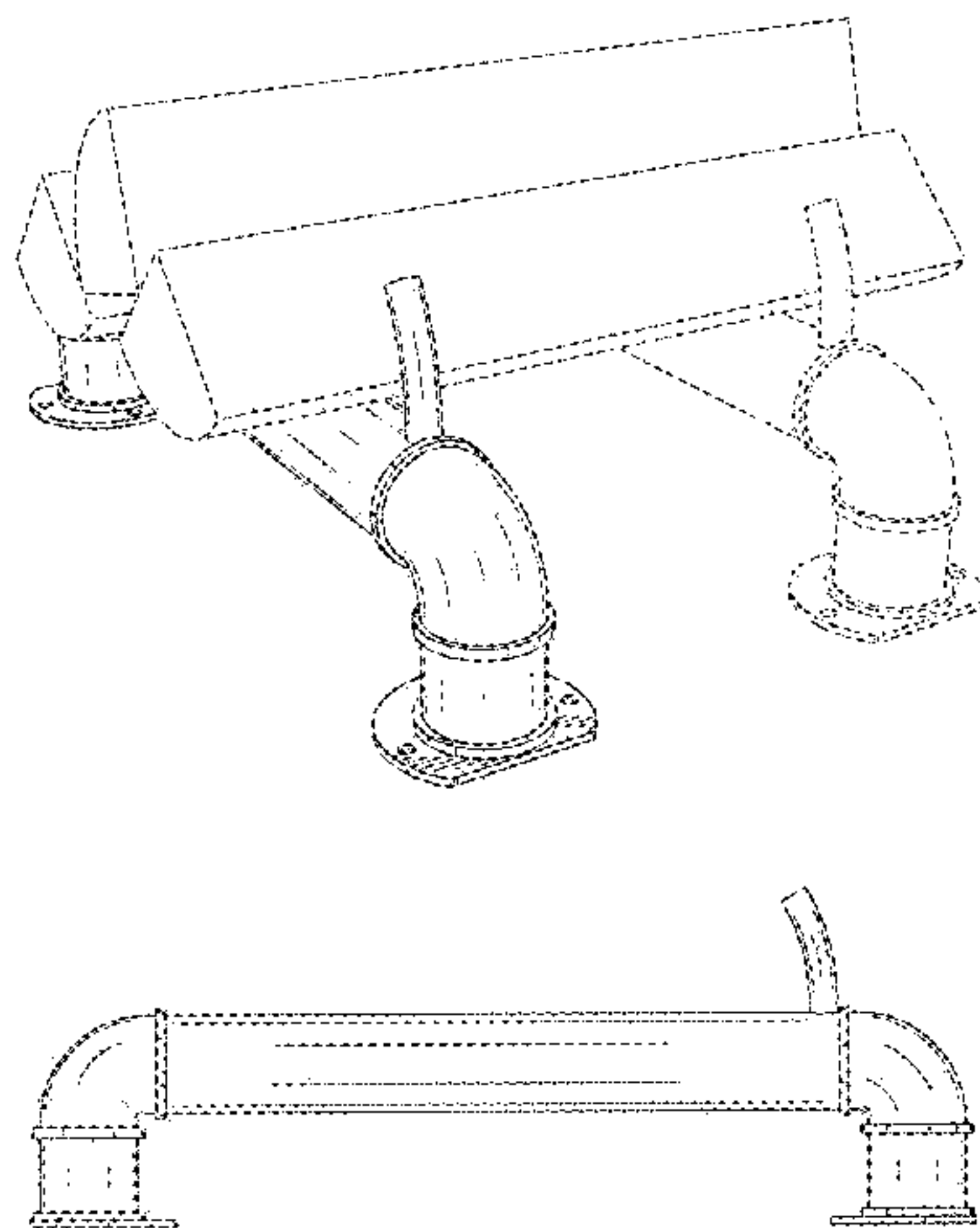
(57) **CLAIM**

The ornamental design for a fireplace andiron, as shown and described.

**DESCRIPTION**

FIG. 1 is a perspective view of the fireplace andiron of my new design showing it in a use with environment.  
FIG. 2 is a perspective view of the fireplace andiron.  
FIG. 3 is a front elevation view thereof.  
FIG. 4 is a back elevation view thereof.  
FIG. 5 is a left side elevation view thereof.  
FIG. 6 is a right side elevation view thereof.  
FIG. 7 is a top plan view thereof; and,  
FIG. 8 is a bottom plan view thereof.  
The broken lines of FIG. 1 illustrate environmental elements, and form no part of the claimed design.

**1 Claim, 6 Drawing Sheets**



(56)

References Cited

U.S. PATENT DOCUMENTS

4,131,108 A \* 12/1978 Bauder ..... F24B 1/193  
 126/298  
 4,170,217 A \* 10/1979 Mayes ..... F24B 1/193  
 126/201  
 4,493,308 A \* 1/1985 Hurley ..... A47J 37/067  
 122/17.2  
 D320,268 S \* 9/1991 Thies ..... 206/443  
 D329,090 S \* 9/1992 Vogelzang ..... D23/392  
 D332,385 S \* 1/1993 Adams ..... D8/107  
 D357,827 S \* 5/1995 Schultz ..... D23/410  
 D391,635 S \* 3/1998 Jack ..... D23/403  
 D392,034 S \* 3/1998 Pagani ..... D23/399  
 D417,497 S \* 12/1999 Schroeter ..... D23/393  
 D518,169 S \* 3/2006 Verbauwhede ..... D23/415  
 7,469,630 B1 \* 12/2008 Ray ..... A23B 4/052  
 99/482  
 9,117,325 B1 \* 8/2015 Sloan ..... G07F 13/02  
 D764,630 S \* 8/2016 Sutton ..... D23/235  
 D787,775 S \* 5/2017 Petersen ..... D1/199  
 D799,690 S \* 10/2017 Kawamura ..... D23/499  
 D800,916 S \* 10/2017 Spivey ..... D24/227  
 D812,701 S \* 3/2018 Parham ..... D21/715  
 D818,322 S \* 5/2018 Goodman ..... D7/601  
 2009/0050132 A1 \* 2/2009 Betz ..... F24C 3/006  
 126/540

2009/0205631 A1 \* 8/2009 Tsung ..... F23D 14/045  
 126/39 E  
 2015/0316264 A1 \* 11/2015 Prichard ..... F24C 3/10  
 431/43  
 2015/0354811 A1 \* 12/2015 Zink ..... F23D 14/58  
 431/9  
 2016/0061445 A1 \* 3/2016 Kim ..... F23N 1/02  
 431/354  
 2016/0334109 A1 \* 11/2016 Krohn ..... F23D 14/04  
 2017/0234531 A1 \* 8/2017 Briggs ..... B60P 3/224  
 431/5

OTHER PUBLICATIONS

DuraLiner 6 in. Masonry Thimble with Slip Connector, image post date Oct. 1, 2017, site visited Jul. 16, 2018, (online), <<https://www.homedepot.com/p/DuraVent-DuraLiner-6-in-Masonry-Thimble-with-Slip-Connector-6DLR-MTSC/205544513>>.\*  
 5-tube-fireplace-heater-no-blower-bcb—TinEye, image post date May 20, 2015, site visited Jul. 18, 2018, (online), <[https://www.tineye.com/search/4dd8f6bd7d0d772846a675f3a80b0152b478f076/?extension\\_ver=>](https://www.tineye.com/search/4dd8f6bd7d0d772846a675f3a80b0152b478f076/?extension_ver=>)>.\*  
 custom-zero-clearance-fireplace-heater-fhzc-kit-04c—TinEye, image post date May 15, 2015, site visited Jul. 18, 2018, (online), <<https://tineye.com/search/856b49cd3e28ae5fe2b9a1a099f9d9d3d648b342/>>.\*

\* cited by examiner

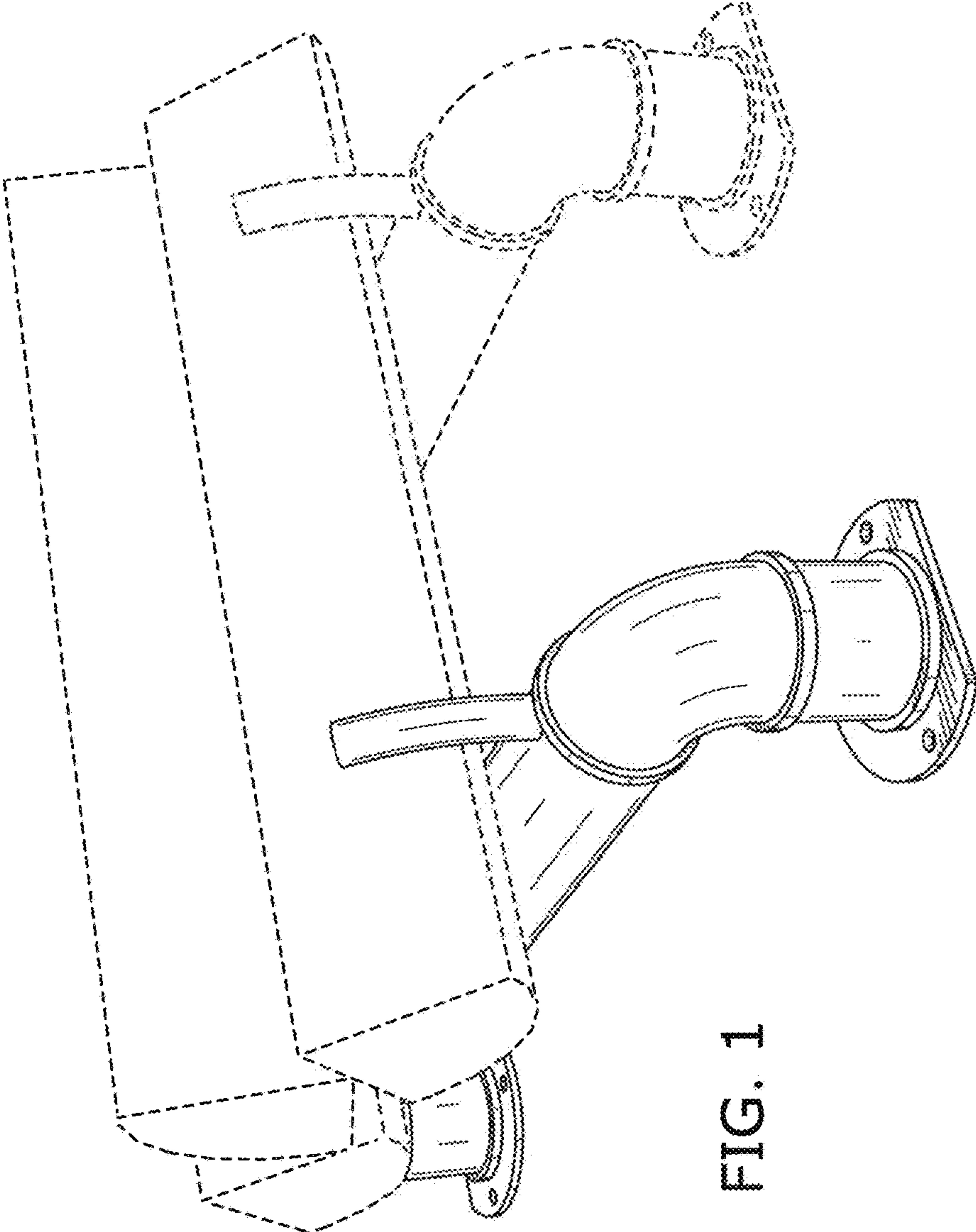


FIG. 1

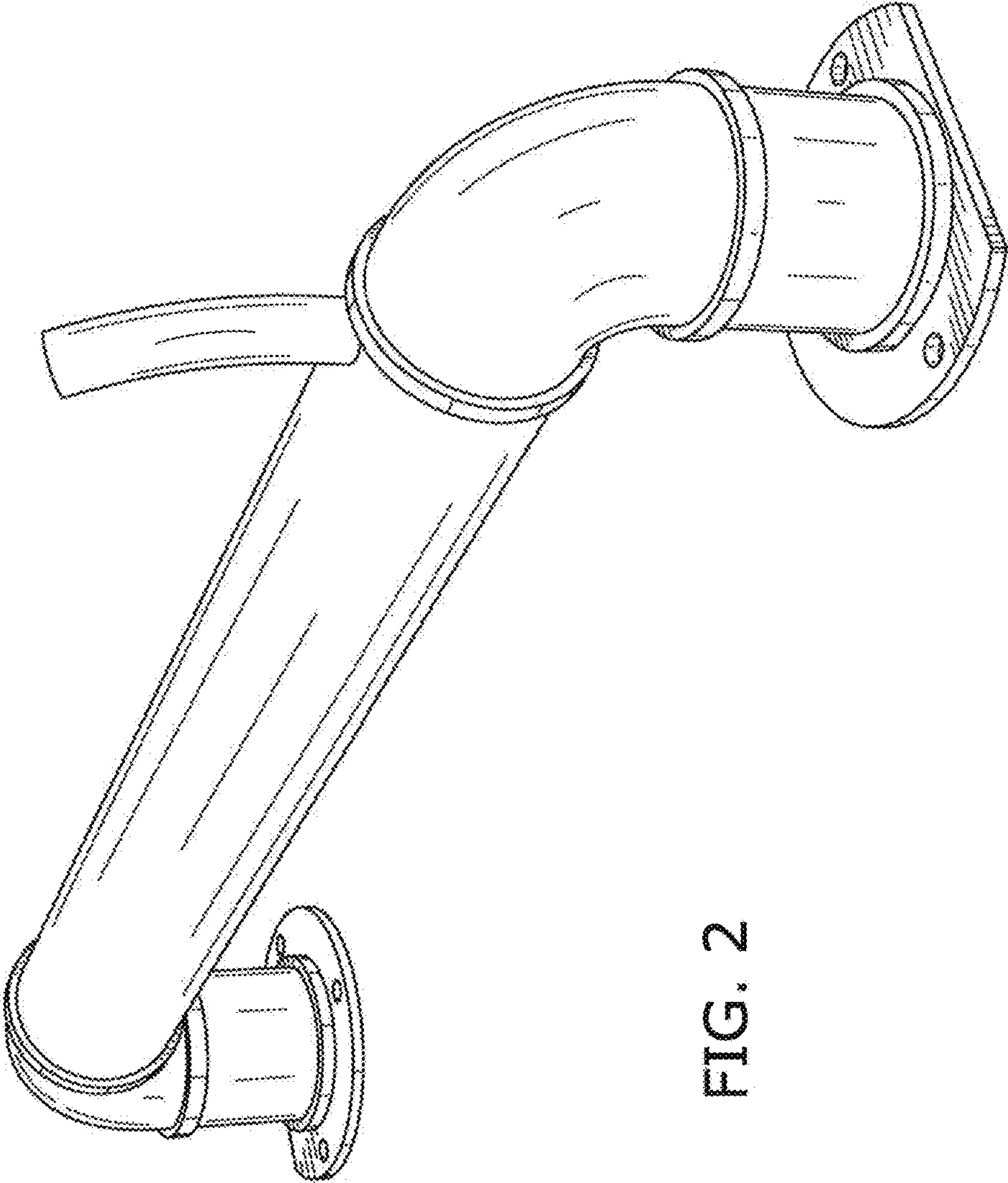


FIG. 2



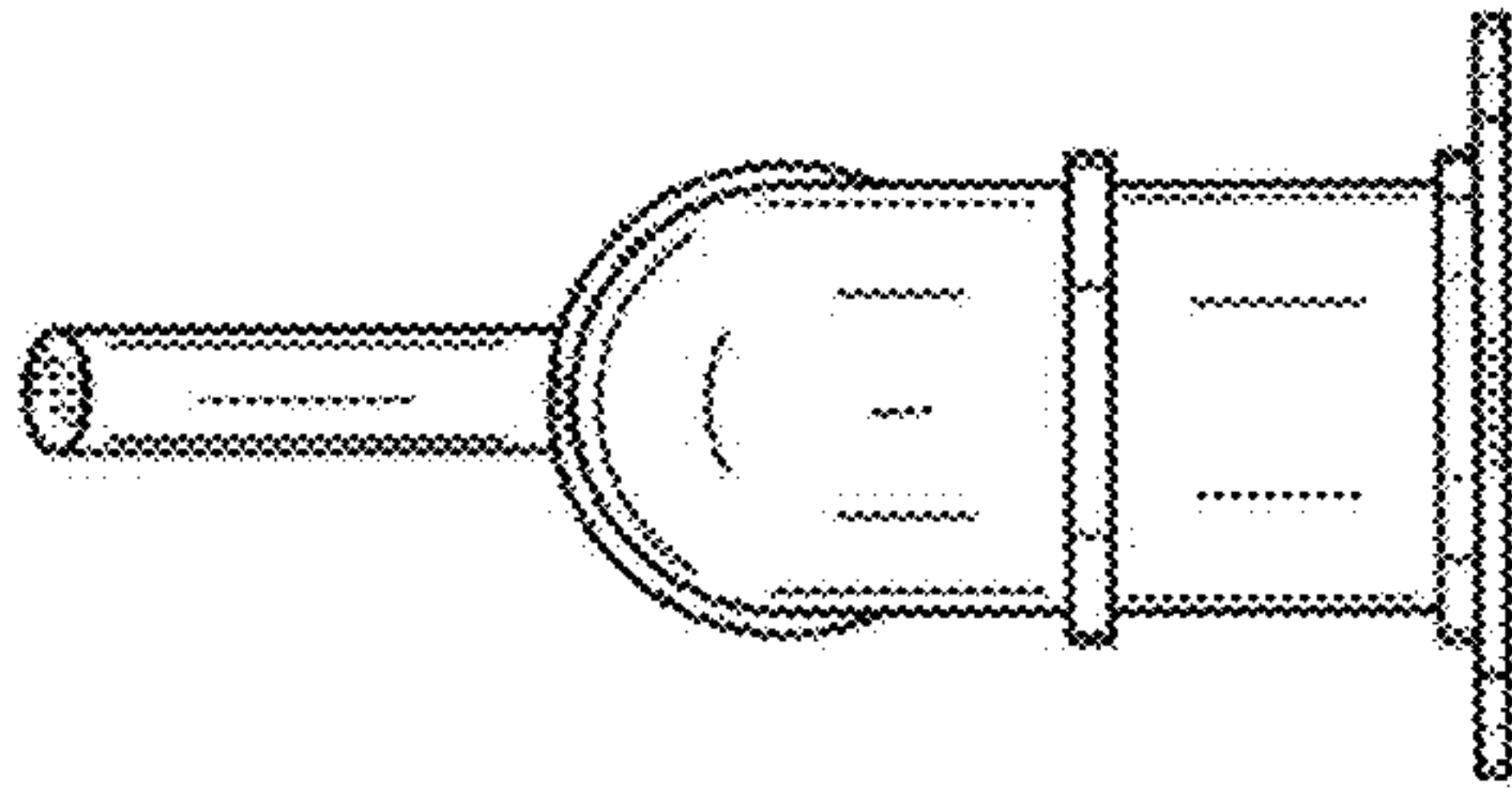


FIG. 4

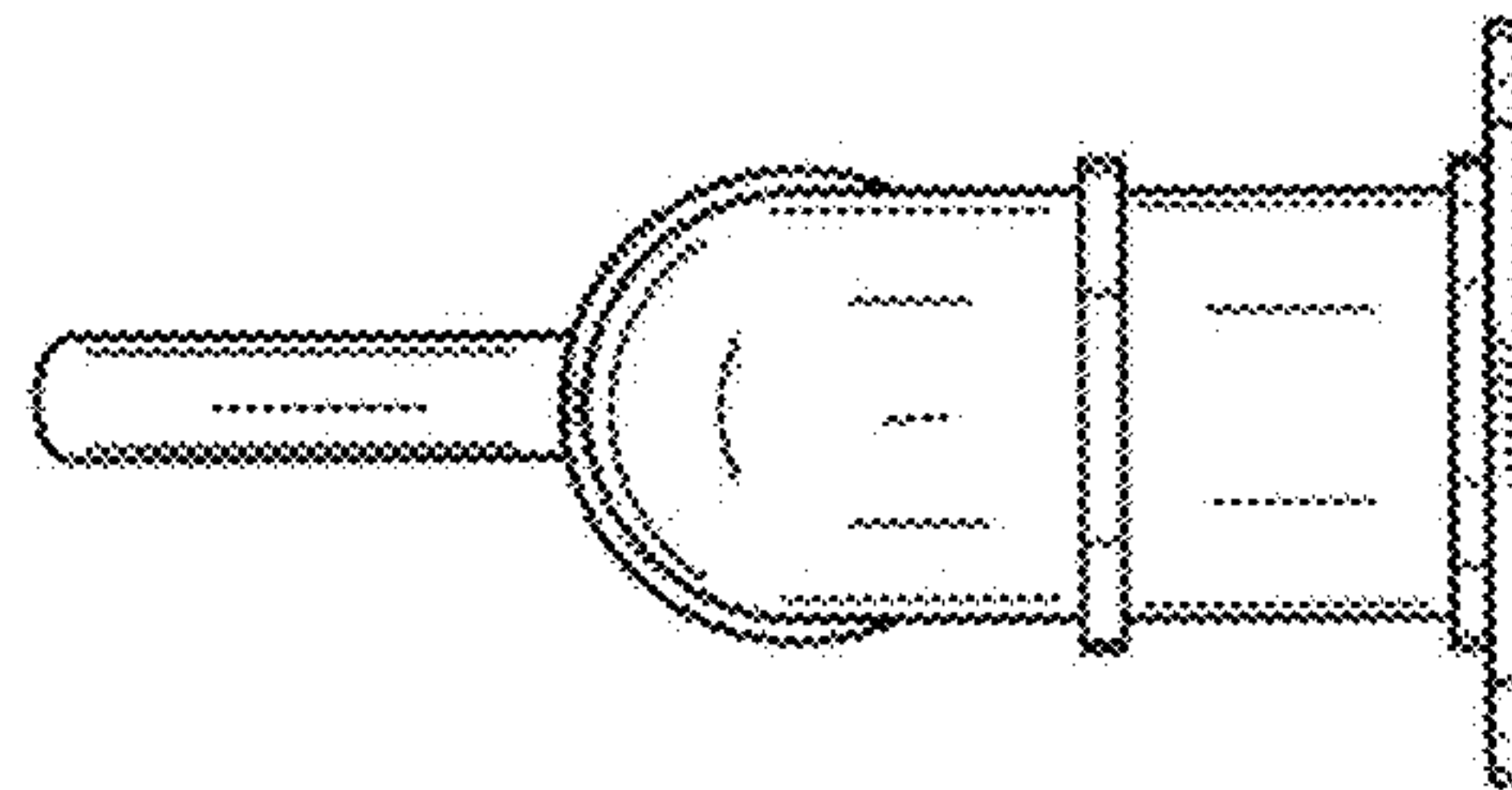


FIG. 3

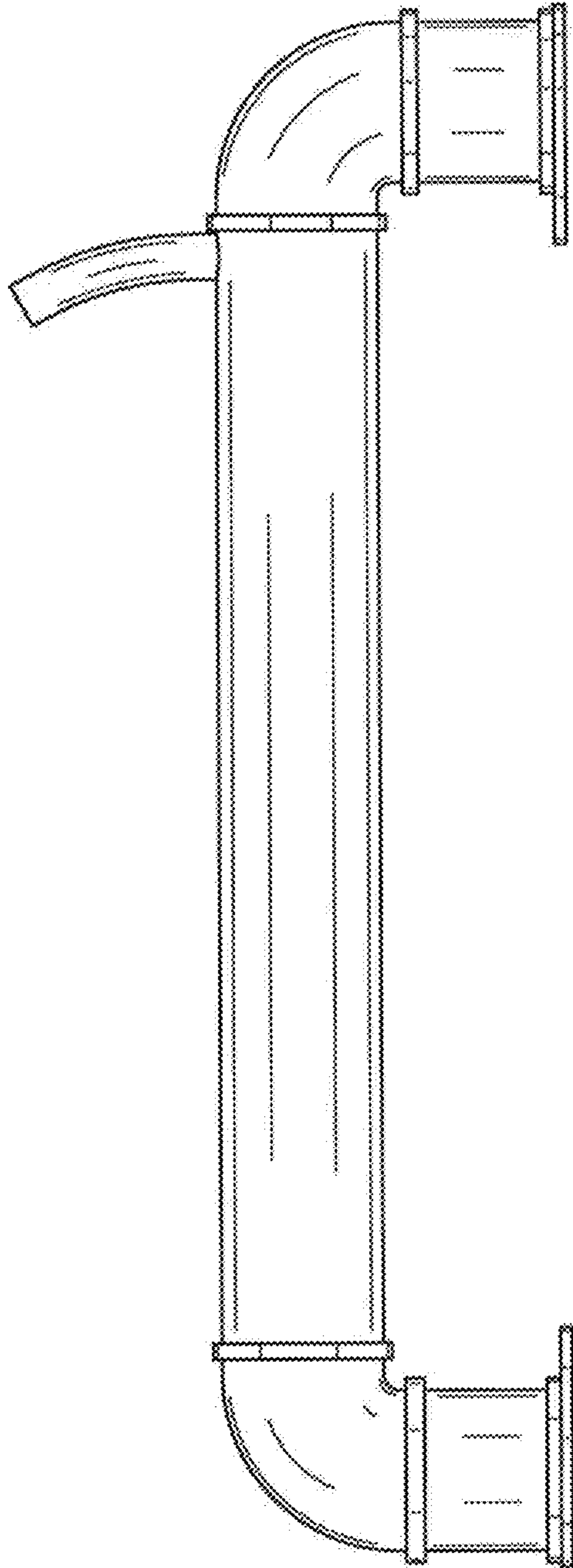


FIG. 5

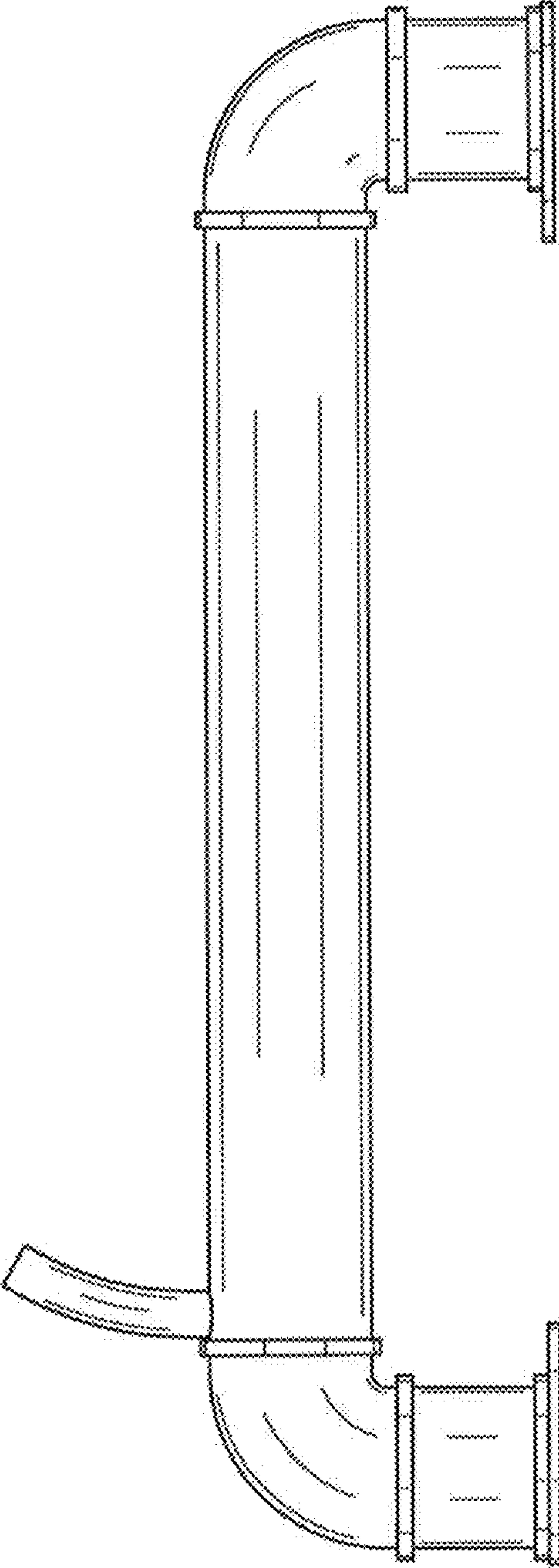


FIG. 6

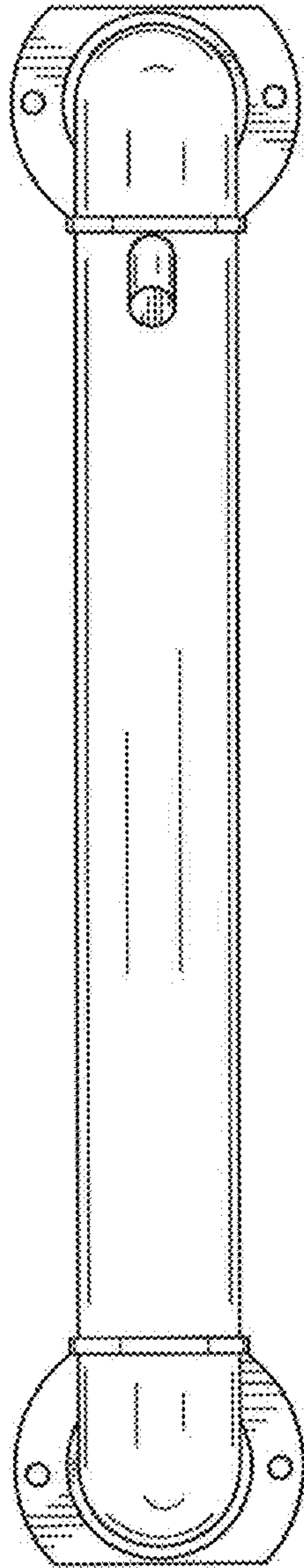


FIG. 7

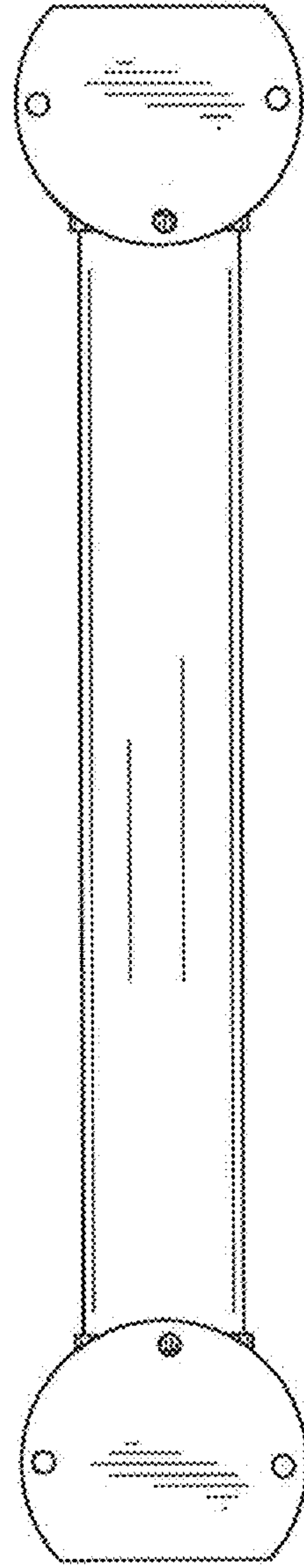


FIG. 8