



US00D832416S

(12) **United States Design Patent**
Huang et al.

(10) **Patent No.:** **US D832,416 S**
(45) **Date of Patent:** **** Oct. 30, 2018**

- (54) **VENTILATION FAN GRILLE**
- (71) Applicant: **DELTA ELECTRONICS, INC.**,
Taoyuan (TW)
- (72) Inventors: **Yu-Hsiang Huang**, Taoyuan (TW);
Chih-Hua Lin, Taoyuan (TW)
- (73) Assignee: **DELTA ELECTRONICS, INC.**,
Taoyuan (TW)
- (**) Term: **15 Years**
- (21) Appl. No.: **29/608,120**
- (22) Filed: **Jun. 19, 2017**
- (51) **LOC (11) Cl.** **23-04**
- (52) **U.S. Cl.**
USPC **D23/370**; D23/385; D26/59
- (58) **Field of Classification Search**
USPC D23/370–372, 381, 385–397, 411;
D26/59, 72, 74, 85, 88–89, 113, 118–120
CPC F24F 13/28; F24F 7/007; F24F 2001/0037;
F24F 7/10; F24F 13/06
See application file for complete search history.

(56) **References Cited**

U.S. PATENT DOCUMENTS

D212,899 S *	12/1968	Veslely	D26/24
D269,809 S *	7/1983	Chadd	D23/371
D329,239 S *	9/1992	Hahn	D14/219
6,179,451 B1 *	1/2001	Bodine	E04B 9/001 362/147
D452,905 S *	1/2002	Peng	D23/370
D452,906 S *	1/2002	Peng	D23/370
D517,678 S *	3/2006	Wiler	D23/388
D519,117 S *	4/2006	Lewis	D14/374
D538,422 S *	3/2007	Hooijmaaijers	D23/387
D558,382 S *	12/2007	Cesaro	D26/86
D560,786 S *	1/2008	Yoo	D23/351
D588,254 S *	3/2009	Deng	D23/372
D595,450 S *	6/2009	Ko	D26/120
D595,830 S *	7/2009	Deng	D23/372

D606,641 S *	12/2009	Kim	D23/351
7,651,390 B1 *	1/2010	Profeta	F24F 13/06 454/284
D649,678 S *	11/2011	Germain	D26/85

(Continued)

OTHER PUBLICATIONS

Modern Bathroom Ventilation Fans, posted Jan. 18, 2018, site visited Apr. 20, 2018, Available from Internet, <<http://astridclasen.info/modern-bathroom-ventilation-fans/>>.*

(Continued)

Primary Examiner — Cathron C Brooks

Assistant Examiner — Sharon S Oum

(74) *Attorney, Agent, or Firm* — Muncy, Geissler, Olds & Lowe, P.C.

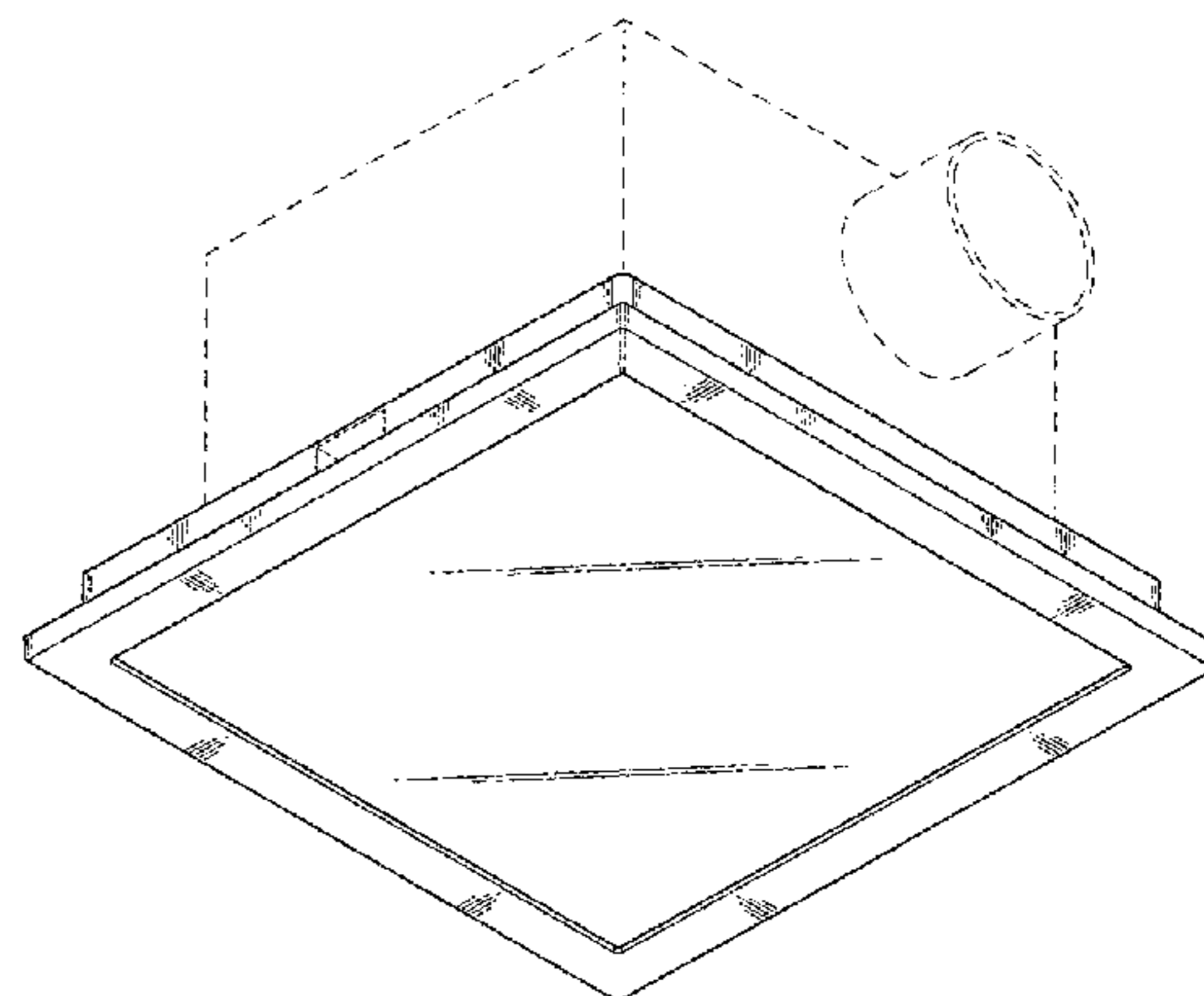
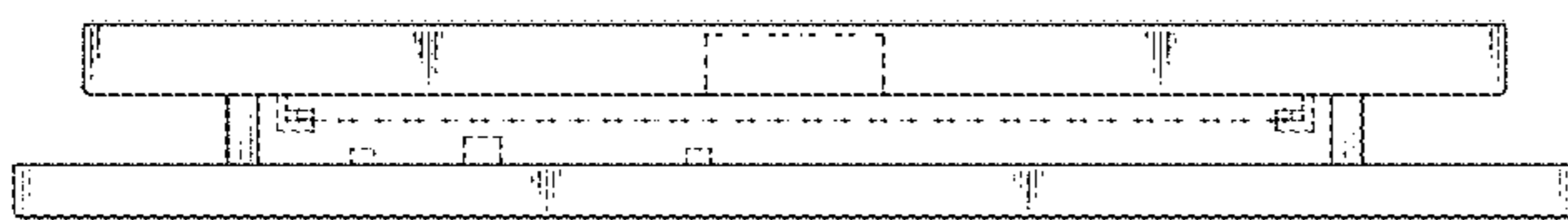
(57) **CLAIM**

The ornamental design for ventilation fan grille, as shown and described.

DESCRIPTION

FIG. 1 is a bottom perspective view of ventilation fan grille showing our new design;
 FIG. 2 is a front view thereof;
 FIG. 3 is a rear front view thereof;
 FIG. 4 is a left side view thereof;
 FIG. 5 is a right side view thereof;
 FIG. 6 is a top view thereof;
 FIG. 7 is a bottom view thereof;
 FIG. 8 is a top perspective view thereof; and,
 FIG. 9 is a view identical to FIG. 1, but shown with the broken line environmental subject matter in a position of use.
 The broken lines shown in FIG. 9 illustrate environmental structure, and the broken lines in the remaining views illustrate portions of the ventilation fan grille. None of the broken lines form part of the claimed design.

1 Claim, 7 Drawing Sheets



(56)

References Cited

U.S. PATENT DOCUMENTS

8,382,340 B2 * 2/2013 Boyer F21S 8/02
362/147
D680,257 S * 4/2013 Patrick D26/89
D683,009 S * 5/2013 Gartner D23/370
D706,916 S * 6/2014 Penlesky D23/370
D707,879 S * 6/2014 Hamilton D26/120
D713,950 S * 9/2014 Jepson D23/388
D713,952 S * 9/2014 Jepson D23/388
D713,953 S * 9/2014 Jepson D23/388
D731,690 S * 6/2015 Boyer D26/74
D752,200 S * 3/2016 Huang D23/385
D767,749 S * 9/2016 Nakai D23/388
D790,113 S * 6/2017 Chung D26/118
D814,009 S * 3/2018 Puffer D23/371
2012/0087128 A1 * 4/2012 Zakula F21V 33/0088
362/249.02
2017/0299208 A1 * 10/2017 Zakula F21V 33/0088

OTHER PUBLICATIONS

Low Profile LED Ceiling Light, date first available Nov. 20, 2016,
site visited Apr. 20, 2018, Copyright © 1996-2018, <https://www.amazon.com/LAIN-Fixtures-Dimmable-Recessed-Downlight/dp/B01N54MJEO/ref=sr_1_7?ie=UTF8&qid=1524238636&sr=8-7&keywords=led+light+low+profile+ceiling+light+square>.*

* cited by examiner

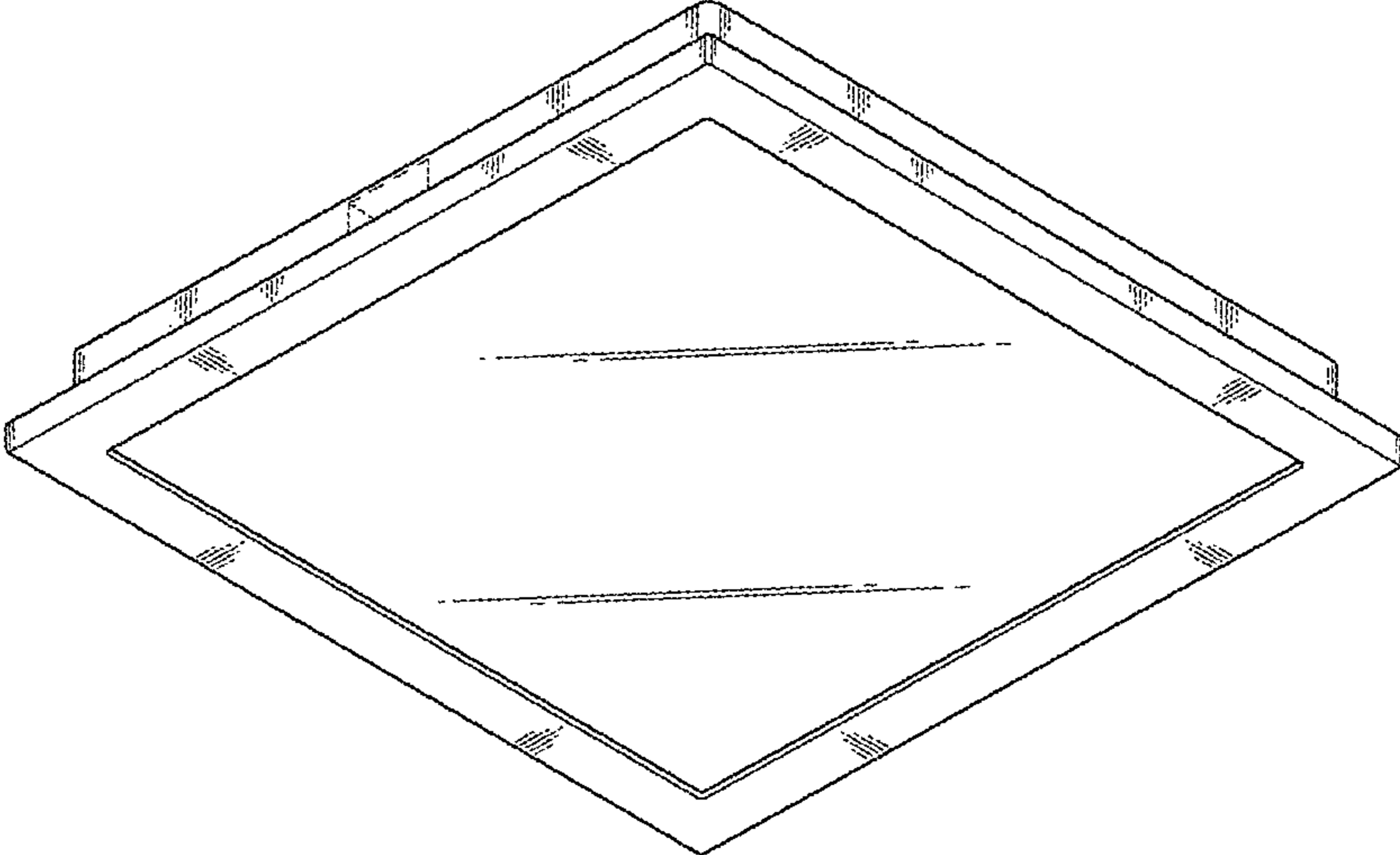


FIG.1

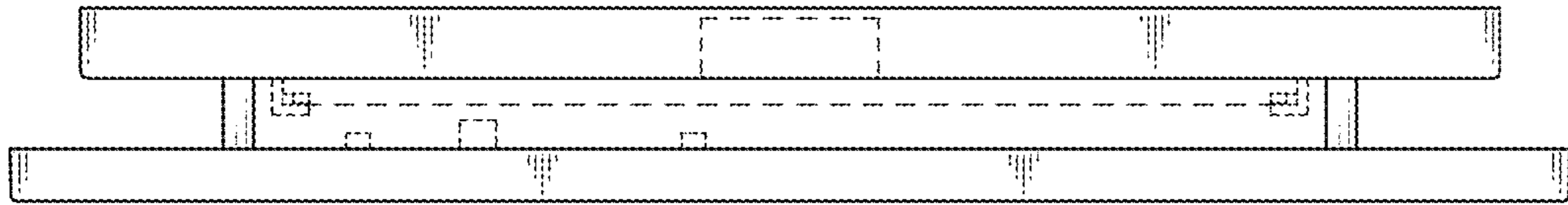


FIG.2

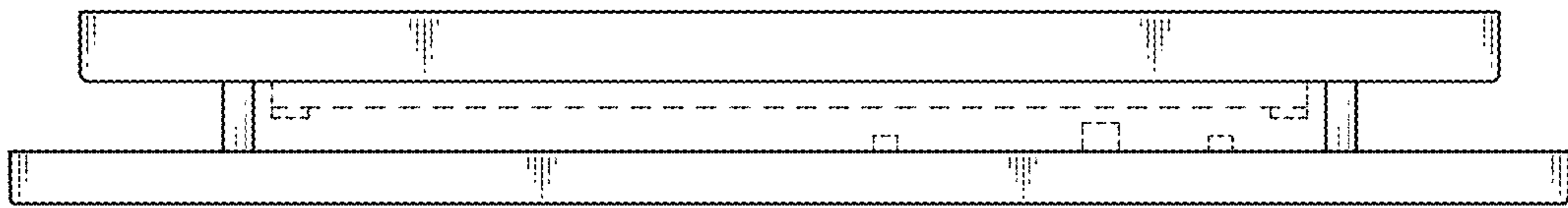


FIG.3

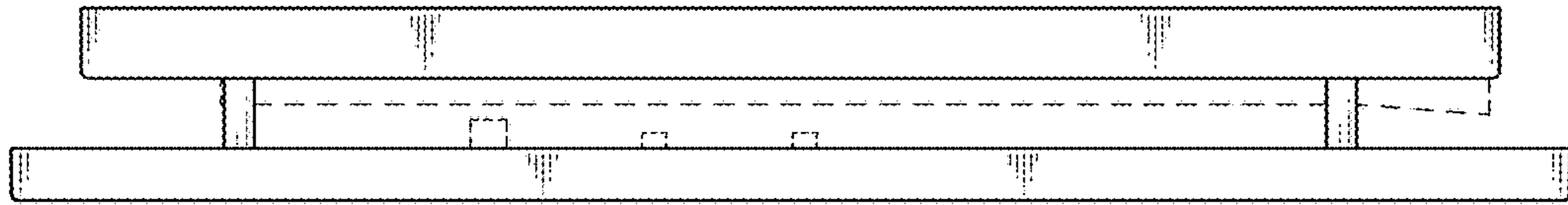


FIG.4

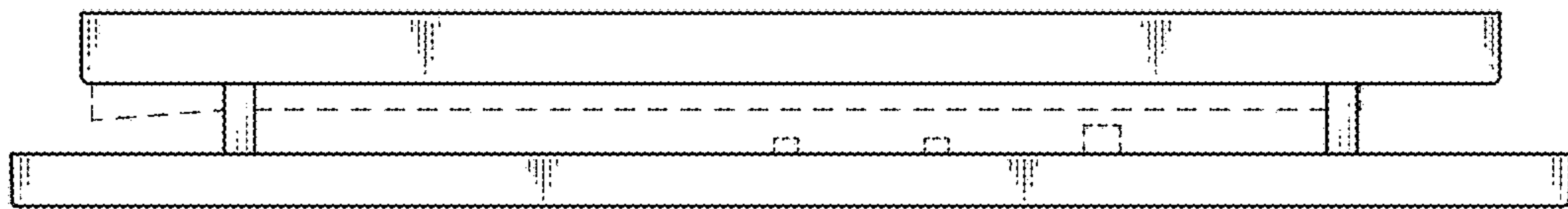


FIG.5

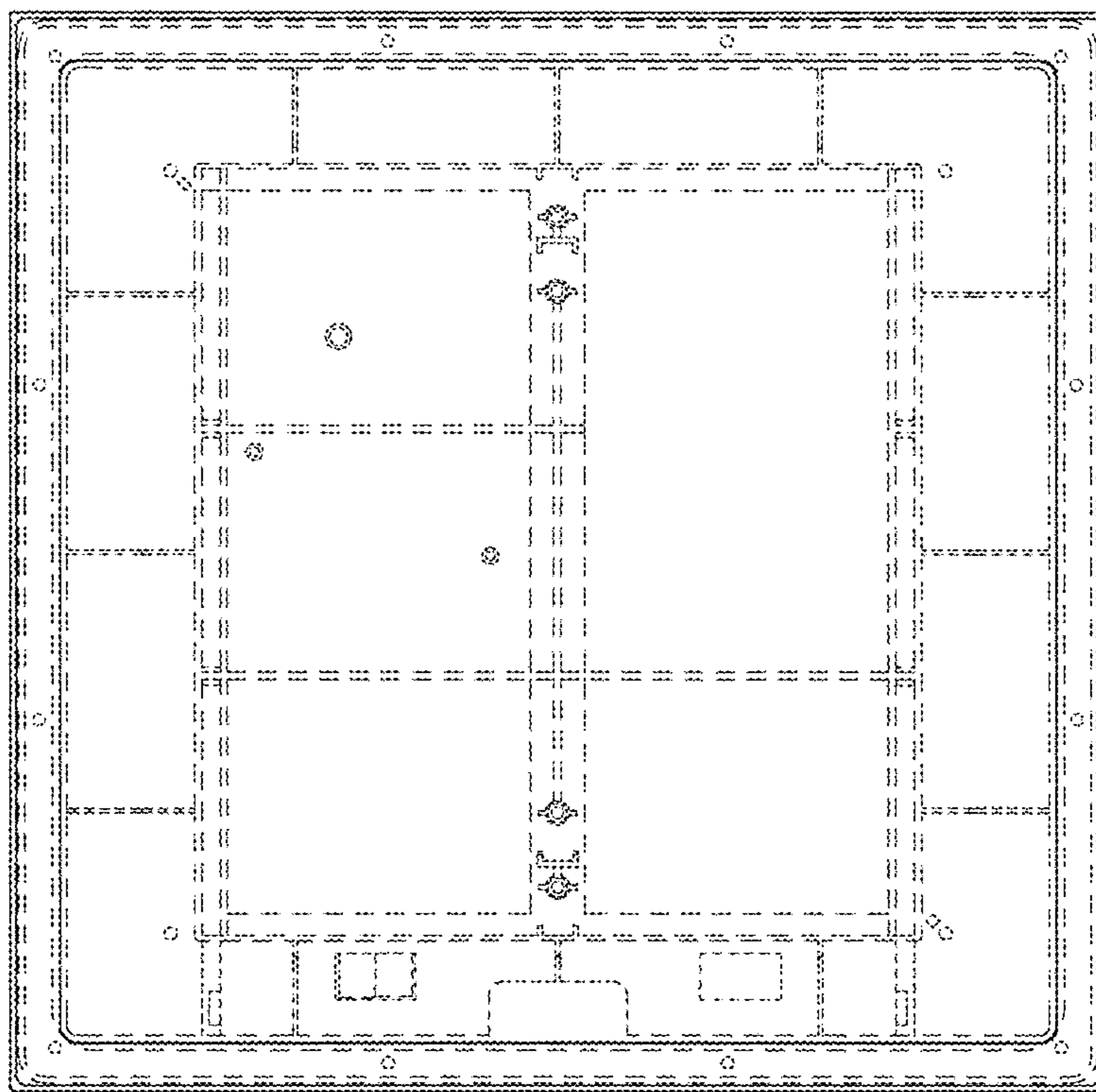


FIG.6

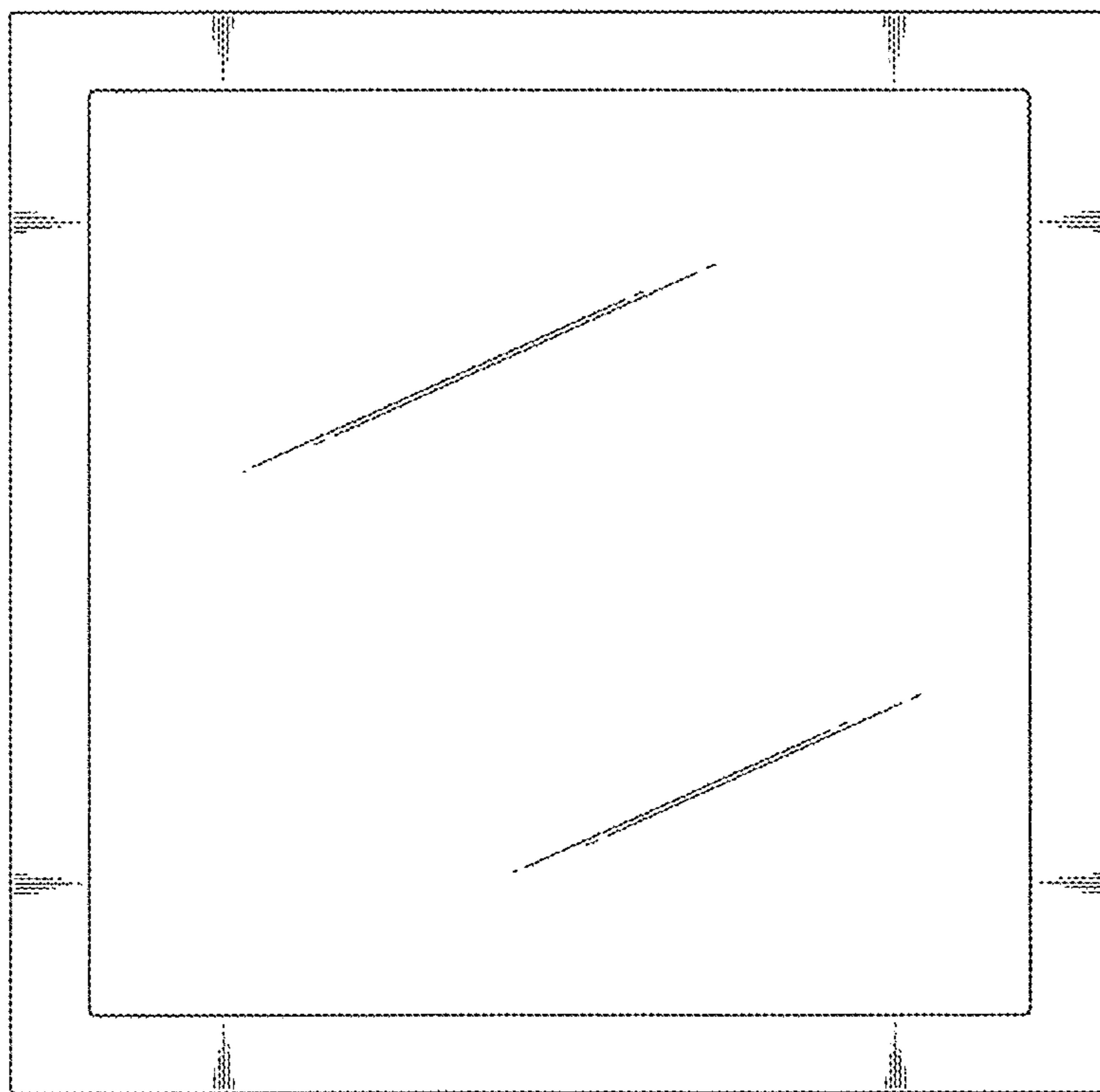


FIG.7

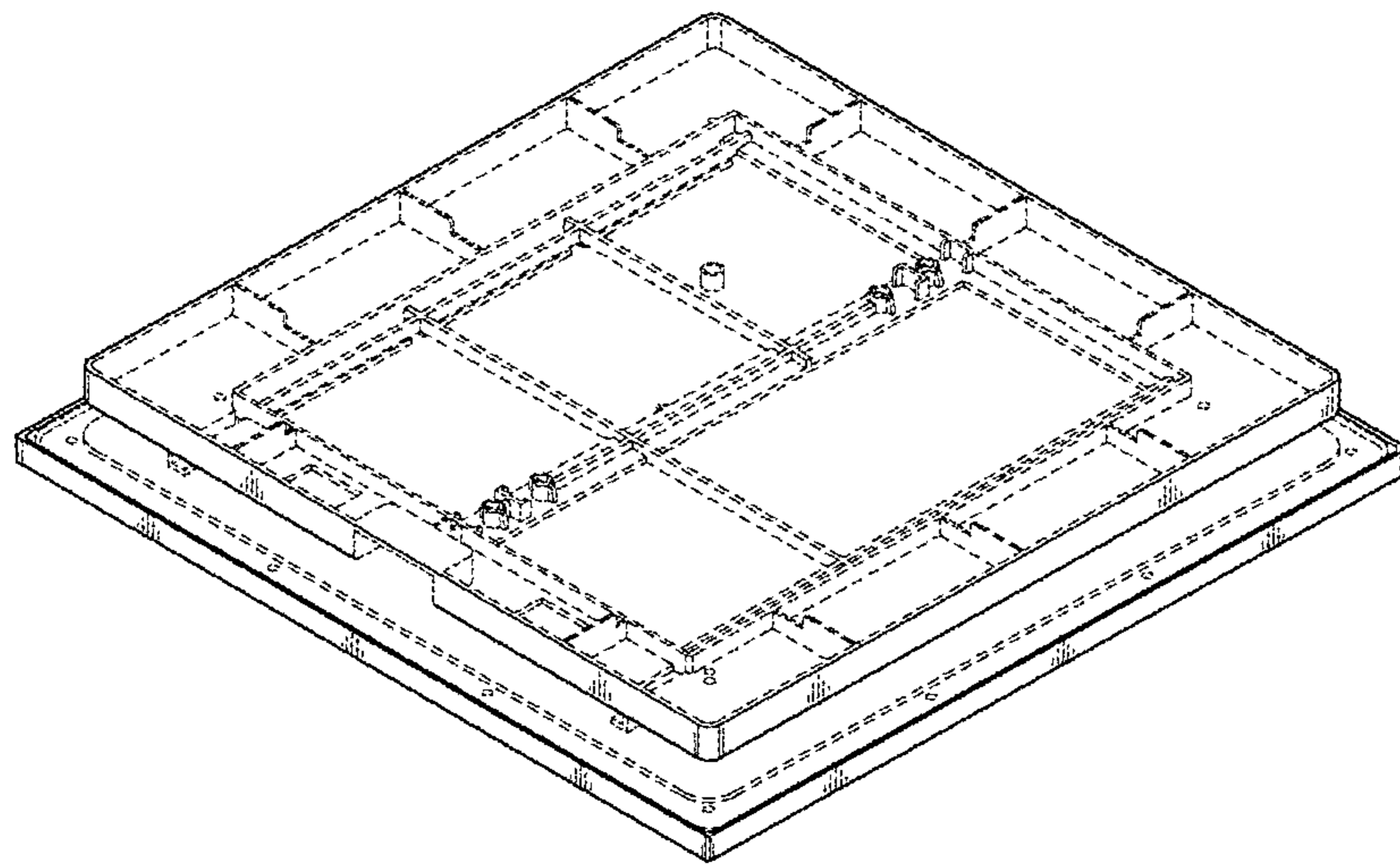


FIG.8

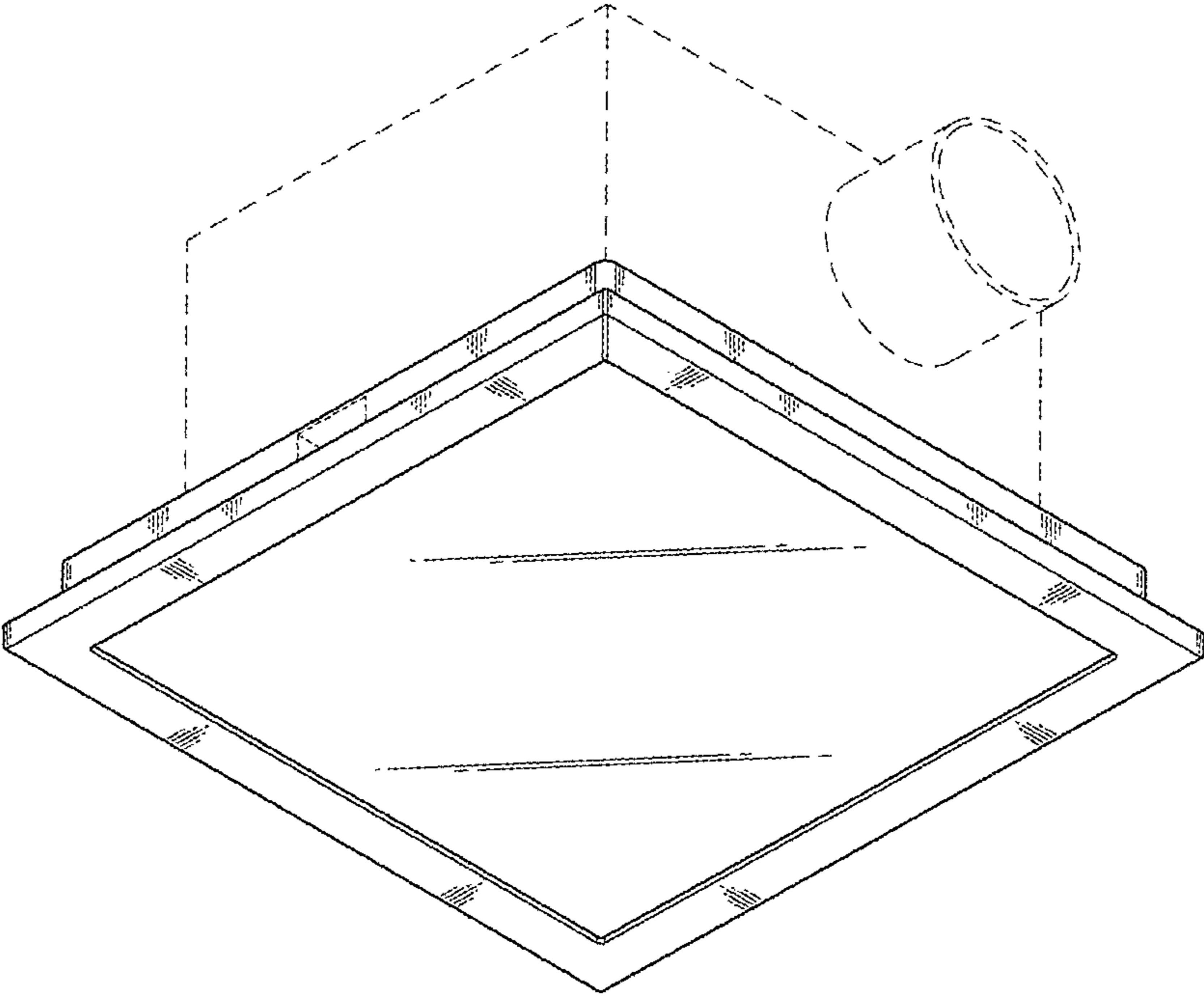


FIG.9